

PORSCHE

PET

PORSCHE

Model	Year	MG	SG	Illustration	Restrictions	Update	11:45	21.08.2006
911	73	0	01	1-05		203		

Pos	Part Number	Name	Remarks	Qty	Model
		stickers			
-	901 006 502 00	sticker firing order		1	
-	901 006 503 00	sticker adjustment valve clearance		1	
-	901 006 504 01	sticker engine-oil level	-72	1	
-	911 006 504 00	sticker engine-oil level	73-	1	
-	901 006 505 00	sticker tyre pressure normal not for (USA)	-72	1	
-	901 006 505 01	sticker tyre pressure normal not for (USA)	73-	1	
-	901 006 505 01	sticker tyre pressure	73	1	CARRERA 2.7
-	911 006 521 00	sticker tyre pressure		1	CARRERA 2.7 (AUS)
-	911 006 522 00	sticker tyre pressure		1	911 (AUS)
-	901 006 507 00	sticker tyre pressure 200 KM/H	-72	1	
-	901 006 508 00	sticker generator regulator		1	
-	911 006 509 01	sticker ignition point	70	1	911 T
-	901 006 509 00	sticker ignition point	-71	1	911 T
-	911 006 510 00	sticker ignition point	-71	1	911 E/S
-	901 006 510 01	sticker ignition point	-71	1	911 E/S
-	911 006 511 00	sticker ignition point	72-	1	911
-	911 006 508 00	sticker ignition point	72-	1	CARRERA 2.7

PORSCHE

PET

PORSCHE

Model	Year	MG	SG	Illustration	Restrictions	Update		
911	73	0	01	1-05		203	11:45	21.08.2006

Pos	Part Number	Name	Remarks	Qty	Model
-	911 006 509 04	sticker emission control system	-71	1	911 T (USA) (CAL)(J)
-	911 701 102 00	sticker 2.2 L		1	
-	911 701 107 00	sticker "OIL"		1	
- - - E N D - - -					

Model	Year	MG	SG	Illustration	Restrictions	Update	11:45	21.08.2006
911	73	0	01	1-10		203		

Pos	Part Number	Name	Remarks	Qty	Model
>>	> 911 721 905 01	spare parts bag spare parts bag with contents comprising:	-71 72-	1	911 T 911 T-V
-	914 721 902 10	bag		1	
-	914 721 013 10	bag with fuse		1	
-	901 602 960 00	contact breaker point - bosch -		1	
-	999 170 111 90	spark plug BOSCH W 230 T 30		3	
-	901 105 901 50	set of valve springs		1	
-	901 105 417 00	collet divided		2	
-	911 104 193 00	valve stem seal		1	
-	901 105 370 02	adjusting screw for valve		2	
-	999 034 005 00	nut		2	
-	911 107 176 00	drain plug		1	
-	900 123 011 30	sealing ring A 22 X 27		1	
-	901 101 391 00	gasket for oil strainer		2	
-	901 609 309 00	screened connector with rubber cap		2	
-	911 108 948 00	set of seals for carburetor - ZENITH -		1	
-	911 423 401 00	clutch cable		1	
-	911 423 205 03	lever		1	
-	N 011 007 3	hexagon nut M 7		1	
-	901 104 191 00	cylinder base gasket		3	
-	908 104 391 00	cylinder head gasket		3	

Model	Year	MG	SG	Illustration	Restrictions	Update		
911	73	0	01	1-10		203	11:45	21.08.2006

Pos	Part Number	Name	Remarks	Qty	Model
-	901 105 193 03	gasket crankcase and chain case		1	
-	901 105 191 03	gasket for chain case left		1	
-	901 105 192 03	gasket for chain case right		1	
-	901 105 194 03	gasket for cover upper		2	
-	901 105 195 04	gasket for cover lower		2	
-	901 105 197 00	gasket		1	
-	999 701 124 40	o-ring		4	
>>	> 911 721 906 06	spare parts bag with contents comprising:	72-	1	911 T-E
-	914 721 902 10	bag		1	
-	914 721 013 10	bag with fuse		1	
-	901 602 960 00	contact breaker point		1	
-	999 170 111 90	spark plug - BERU -		3	
-	901 105 901 50	set of valve springs		1	
-	901 105 417 00	collet divided		2	
-	901 104 193 00	valve stem seal		1	
-	901 105 370 02	adjusting screw for valve		2	
-	999 034 005 00	nut		2	
-	911 107 176 00	drain plug		1	
-	900 123 011 30	sealing ring A 22 X 27		1	

Model	Year	MG	SG	Illustration	Restrictions	Update	11:45	21.08.2006
911	73	0	01	1-10		203		

Pos	Part Number	Name	Remarks	Qty	Model
-	901 101 391 00	gasket for oil strainer		2	
-	901 609 309 00	screened connector screened connector		2	
-	999 192 030 40	toothed belt for injection pump		1	
-	911 423 401 00	clutch cable		1	
-	911 423 205 03	lever		1	
-	N 011 007 3	hexagon nut M 7		1	
-	901 104 191 00	cylinder head gasket		3	
-	908 104 391 00	sealing ring GE		3	
-	901 105 193 03	sealing ring crankcase and chain case		1	911 E/S
-	901 105 191 03	gasket for chain case cover left		1	
-	901 105 192 03	gasket for chain case cover right		1	
-	901 105 194 03	gasket for camshaft housing cover upper		2	
-	901 105 195 04	gasket for camshaft housing cover lower		2	
-	901 105 197 00	gasket for sealing ring		1	
-	999 701 124 40	o-ring 67,5 X 75,5 X 4		1	

Model	Year	MG	SG	Illustration	Restrictions	Update	11:45	21.08.2006
911	73	0	01	1-10		203		

Pos	Part Number	Name	Remarks	Qty	Model
>>	> 911 721 906 01	spare parts bag with contents comprising:		1	911 E/S
-	914 721 902 10	bag		1	
-	914 721 013 10	bag with fuse		1	
-	901 602 960 00	contact breaker point - bosch -		1	
-	999 170 022 91	spark plug - bosch -		3	
-	616 105 432 03	valve spring		1	
-	901 105 417 00	collet divided		2	
-	911 104 193 00	valve seal		1	
-	901 105 370 02	adjusting screw for valve		2	
-	999 034 005 00	nut		2	
-	901 107 176 00	drain plug		1	
-	900 123 011 30	sealing ring		1	
-	901 101 391 00	sealing ring for oil strainer		2	
-	901 609 309 00	screened connector with rubber cap		2	
-	999 192 030 40	toothed belt for injection pump		1	
-	911 423 401 00	clutch cable		1	
-	911 423 205 03	lever		1	
-	N 011 007 3	hexagon nut M 7		1	
-	901 104 191 00	cylinder base gasket		3	
-	908 104 391 00	cylinder head gasket		3	

Model	Year	MG	SG	Illustration	Restrictions	Update	11:45	21.08.2006
911	73	0	01	1-10		203		

Pos	Part Number	Name	Remarks	Qty	Model
-	901 105 193 03	gasket for crankcase and chain case		2	
-	901 105 191 03	gasket for chain case cover left		1	
-	901 105 192 03	gasket for chain case cover right		1	
-	901 105 194 03	gasket for cover camshaft housing upper		2	
-	901 105 195 04	gasket for cover camshaft housing lower		2	
-	901 105 197 00	gasket		1	
-	999 701 124 40	o-ring		1	
- - - E N D - - -					

Model	Year	MG	SG	Illustration	Restrictions	Update	11:45	21.08.2006
911	73	0	01	1-15		203		

Pos	Part Number	Name	Remarks	Qty	Model
-	644 802 101 51	suitcase bag		X	
-	901 802 101 00	suitcase leather black 75 X 58 X 21		X	
-	901 802 101 00	suitcase leather black for rear luggage dump 70 X 44 X 19		X	
-	901 802 951 00	luggage strap 1 set		X	
-	644 802 015 01	expander		X	
-	901 802 102 00	suitcase leather black for rear luggage dump 46 X 36 X 12		X	
-	901 802 111 00	suitcase SKAI-DUR black for rear luggage dump 46 X 36 X 12		X	
-	901 802 103 00	bag leather		X	
-	901 802 103 01	bag SKAI		X	
- - - E N D - - -					

PORSCHE

PET

PORSCHE

Model	Year	MG	SG	Illustration	Restrictions	Update		
911	73	0	01	1-20		203	11:46	21.08.2006

Pos	Part Number	Name	Remarks	Qty	Model
		number plate mount type label			
>>	> 901 701 051 22	number plate mount installation set front and rear		1	
>>	> 901 701 051 23	number plate mount installation set front and rear customs plate		1	
		body type label			
-	901 701 111 05	type label with paint marked		1	
-	900 093 001 02	screw		4	
		- - - E N D - - -			

Model	Year	MG	SG	Illustration	Restrictions	Update	11:46	21.08.2006
911	73	0	02	2-00		203		

Pos	Part Number	Name	Remarks	Qty	Model
-	695 361 901 02	snow chains edge chain 1 set 165 SR 15 M+S 165 HR 15 M+S-E 165 VR 15 M+S-E		1	
-	901 361 901 00	edge chain 1 set 185 SR 14 M+S 185 HR 14 M+S-E 185/70 SR 15 M+S 185/70 VR 15 M+S-E		1	
-	911 361 909 00	snow chains 1 set 165 SR 15 M+S 165 HR 15 M+S-E 165 VR 15 M+S-E		1	
-	911 361 902 00	grouser chain 1 set 185 SR 14 M+S 185 HR 14 M+S-E 185/70 SR 15 M+S 185/70 VR 15 M+S-E		1	
- - - E N D - - -					

PORSCHE

PET

PORSCHE

Model	Year	MG	SG	Illustration	Restrictions	Update	11:46	21.08.2006
911	73	0	02	2-05		203		

Pos	Part Number	Name	Remarks	Qty	Model
		roof rack ski rack towing lug			
-	901 801 010 01	roof rack with ski rack chrome		1	
-	901 801 953 00	leather strap 1 set		1	
-	901 801 015 20	ski rack		1	COUPE
-	901 801 013 40	ski rack		1	TARGA
-	901 801 951 00	strap for ski fastening 1 set		1	
-	901 801 950 00	strap for ski fastening		1	
-	901 802 951 00	luggage strap 1 set		1	
-	644 802 015 01	expander		1	
>>	> 901 506 031 01	towing lug comprising:	-71	1	
-	901 506 301 00	towing lug		1	
-	901 506 302 01	bracket		1	
-	900 067 081 02	pan-head screw M 8 X 35		2	
>>	> 901 721 919 01	towing lug comprising:		1	
-	901 506 031 01	towing lug		2	
-	900 027 005 02	lock ring A 8		2	
-	900 067 081 02	pan-head screw M 8 X 35		2	
		- - - E N D - - -			

Model	Year	MG	SG	Illustration	Restrictions	Update	11:46	21.08.2006
911	73	0	03	3-00		203		

Pos	Part Number	Name	Remarks	Qty	Model
		antenna loudspeaker radio installation parts suppression set			
-	901 645 301 00	telescopic antenna		1	
-	911 645 033 00	automatic antenna		1	
-	901 645 301 05	automatic antenna installation only right loudspeaker		1	
>>	> 911 645 902 00	installation set loudspeaker comprising:		1	
-	901 645 501 00	loudspeaker		1	
-	900 144 034 07	tapping screw B 4,2 X 16		4	
-	999 591 334 02	prestole cage		4	
-	999 591 108 12	washer		4	
-	901 612 101 00	wiring harness NR. 68 -BLAUPUNKT - - PHILIPS -		1	
-	901 612 102 00	wiring harness NR. 69 - BECKER - radio installation parts		1	
>>	> 901 645 111 01	installation set without loudspeaker for - BLAUPUNKT - radio		1	
>>	> 901 645 111 03	installation set for - PHILLIPS - radio		1	
>>	> 911 645 950 00	installation set for - BLAUPUNKT - radio suppression set		1	

Model	Year	MG	SG	Illustration	Restrictions	Update	11:46	21.08.2006
911	73	0	03	3-00		203		

Pos	Part Number	Name	Remarks	Qty	Model
>>	> 911 619 901 00	suppression set for cars with generator - bosch - comprising:		1	
-	901 609 309 00	screened connector for ignition lead		6	
-	111 905 449 A	cap		6	
-	999 659 034 40	protective cap		6	
-	999 619 121 00	screened connector for distributor		7	
-	999 659 002 50	protective cap		7	
-	901 612 107 00	ground strap		2	
-	911 619 001 00	emi suppressor set		1	
-	999 619 126 01	condenser for wiper motor and pump		2	
-	999 507 001 02	speed nut B 4,2		1	
-	900 143 007 02	oval-head sheetmetal screw B 4,2 X 13		1	
-	900 114 014 01	shake-proof washer A 4,3		1	
>>	> 911 619 901 01	suppression set for cars with - MOTOROLA - - MARCHAL - - S.E.V. - generator comprising:		1	
-	901 609 309 00	screened connector for ignition lead		1	
-	111 905 449 A	cap		6	
-	999 659 034 40	protective cap		6	
-	999 619 121 00	screened connector for distributor		7	
-	999 659 002 50	protective cap		7	

Model	Year	MG	SG	Illustration	Restrictions	Update	11:46	21.08.2006
911	73	0	03	3-00		203		

Pos	Part Number	Name	Remarks	Qty	Model
-	999 619 126 01	condenser for wiper motor and pump		2	
-	901 612 107 00	ground strap		2	
-	901 619 007 00	suppressor condenser terminal DF regulator		1	
-	999 511 036 02	clip D		1	
-	901 619 004 00	connecting cable		1	
-	901 619 003 00	emi suppressor set terminal DF regulator		1	
-	900 151 028 02	washer 4,3		2	
-	N 015 429 2	speed nut B 4,2		1	
-	900 025 002 02	washer 4,3		1	
-	900 187 013 02	hexagon-head tapping screw BZ 4,2 X 13		1	
-	999 507 001 02	speed nut B 4,2		1	
-	900 143 007 02	oval-head sheetmetal screw B 4,2		1	
-	900 114 014 01	shake-proof washer A 4,3		1	
-	122 035 281	suppression set for screened connector for distributor		1	(F)
-	901 612 107 00	ground strap		2	
		- - - E N D - - -			

PORSCHE

PET

PORSCHE

Model	Year	MG	SG	Illustration	Restrictions	Update		
911	73	0	04	4-00		203	11:47	21.08.2006

Pos	Part Number	Name	Remarks	Qty	Model
-	901 722 801 00	lacquers spraying can indicate colour		X	
-	644 722 801 00	paint touch-up applicator		X	
		- - - E N D - - -			

PORSCHE

PET

PORSCHE

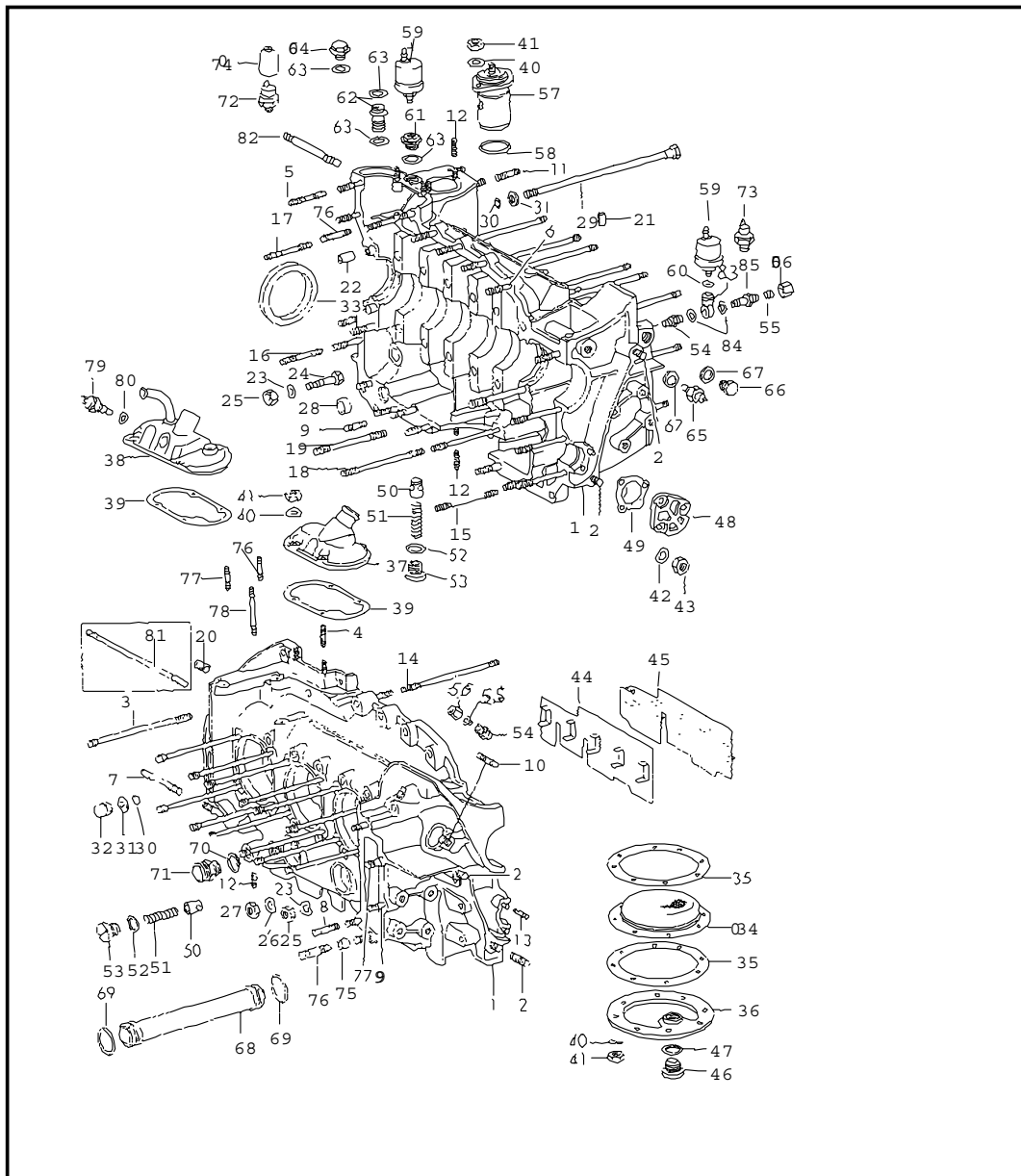
Model	Year	MG	SG	Illustration	Restrictions	Update	11:47	21.08.2006
911	73	1	01	101-00		203		

Pos	Part Number	Name	Remarks	Qty	Model
		replacement engine complete run in power tested and ready for installation regulator switch included loose delivered			
-	911 100 130 00	engine 911/03	-71	1	911 T
-	911 100 160 00	engine 911/06	-71	1	911 T:SPM
-	911 100 110 00	engine 911/01 with injection system	-71	1	911 E
-	911 100 140 00	engine 911/04 with injection system	-71	1	911 E:SPM
-	911 100 120 00	engine 911/02 with injection system	-71	1	911 S
-	911 100 157 00	engine 911/57	72	1	911 T-V
-	911 100 157 01	engine 911/57	73-	1	911 T-V
-	911 100 167 00	engine 911/67	72	1	911 T-V
-	911 100 167 01	engine 911/67	73-	1	911 T-V:SPM
-	911 100 152 00	engine 911/52 with injection system	72	1	911 E
-	911 100 152 01	replacement engine 911/52 with injection system	73-	1	911 E
-	911 100 153 00	engine 911/53 with injection system	72	1	911 S

Model	Year	MG	SG	Illustration	Restrictions	Update	11:47	21.08.2006
911	73	1	01	101-00		203		

Pos	Part Number	Name	Remarks	Qty	Model
-	911 100 153 01	engine 911/53 with injection system	73-	1	911 S
-	911 100 162 00	engine 911/62 with injection system	72	1	911 E:SPM
-	911 100 162 01	engine 911/62 with injection system	73-	1	911 E:SPM
-	911 100 163 00	engine 911/63 with injection system	72	1	911 S:SPM
-	911 100 163 01	engine 911/63 with injection system	73-	1	911 S:SPM
-	911 100 183 00	engine 911/83 with injection system	73-	1	CARRERA
-	911 100 191 00	engine 911/91	73-	1	911 T-K
-	911 100 196 00	engine 911/96	73-	1	911 T-K:SPM
- - - E N D - - -					

Model	Year	MG	SG	Illustration	Restrictions	Update	11:47	21.08.2006	PORSCHE	PET	PORSCHE
911	73	1	01	101-05		203					



Pos	Part Number	Name	Remarks	Qty	Model
1	901 101 912 00	crankcase		1	911 T/E/S
-	901 101 201 00	spacer sleeve	-71	X	911 T/E/S
(1)	911 101 912 02	crankcase with studs	72-	1	911 T-E/E/S 911 T-V 911 T-K
(1)	911 101 915 00	crankcase with studs	73-	1	CARRERA 2.7
2	999 062 090 02	stud for engine carrier M 10 X 40		2	
(2)	999 062 039 02	stud for engine carrier left upper M 10 X 50		1	
(2)	999 061 056 02	stud for engine carrier right upper		1	
3	901 101 172 03	stud	70- 72-	24	911 T/E/S 911 T-V 911 T-K
(3)	911 101 172 00	stud	73-	24	CARRERA 2.7
4	999 062 085 02	stud BM 6 X 20		4	
5	999 062 115 02	stud BM 8 X 32		12	
6	999 062 010 02	stud BM 8 X 35		1	
7	999 061 034 02	stud not for sportomatic		2	
8	999 062 007 02	stud for chain case BM 8 X 22	-71 72-	4 5	

Model	Year	MG	SG	Illustration	Restrictions	Update	11:47	21.08.2006	PORSCHE	PET	PORSCHE
911	73	1	01	101-05		203					

Pos	Part Number	Name	Remarks	Qty	Model	Pos	Part Number	Name	Remarks	Qty	Model
9	999 062 006 02	stud for chain case and oil pump BM 8 X 20		5		26	N 012 242 3	spring washer B 10 X 18	-71	1	
10	900 061 004 02	stud BM 8 X 12	-71	1		(26)	N 012 242 3	spring washer B 10 X 18	72-	1	
11	900 061 057 02	stud BM 8 X 15		4		27	900 157 002 02	hexagon nut M 10		1	
12	999 062 055 02	stud BM 6 X 12		12		28	999 704 172 50	sealing ring		1	
13	999 062 002 02	stud BM 6 X 15		3		29	901 101 173 00	screw		11	
14	901 101 174 00	stud		2		30	999 701 006 40	o-ring		24	
15	N 014 432 4	stud BM 8 X 78		3		31	901 101 161 01	washer	-71	24	
16	999 062 075 02	stud BM 8 X 48		2		(31)	901 101 161 01	washer	72-	24	
17	999 062 138 02	stud BM 8 X 52		1		32	999 070 004 02	cap nut		13	
18	999 062 051 02	stud BM 8 X 108		1		33	999 113 057 52	radial sealing ring 65 X 85 X 10		1	
19	999 062 217 08	screw BM 10 X 85		1		(33)	901 102 911 00	radial sealing ring undersize 64,5 X 85 X 10		1	
20	999 504 062 02	threaded bush		2		34	901 101 380 01	oil strainer		1	
21	900 095 025 01	tensioning sleeve 8 X 16		1		35	901 101 391 00	gasket		2	
22	901 101 195 00	dowel sleeve		2		36	930 101 902 00	cover		1	
23	900 031 014 30	washer 8,4	-71 72-	21 22		37	901 107 073 02	cover for bleeder		1	911 T 911 T-V 911 T-K
24	900 074 134 02	hexagon-head bolt M 8 X 45	72-	1		38	911 107 071 00	cover for bleeder		1	911 E/S 911 T-E CARRERA 2.7
-	999 151 022 02	washer	-71	1		39	901 107 791 01	gasket		1	
-	900 025 007 02	washer for ground strap 20 X 8,4 X 2	72-	1		40	900 028 008 01	spring washer B 6	-70	14	
25	900 084 004 02	hexagon nut M 8	-71 72-	21 22		(40)	N 012 226 5	spring washer B 6	71-	14	
						41	900 076 010 02	hexagon nut M 6		14	
						42	900 031 011 30	washer 6,4		3	
						43	900 084 010 02	hexagon nut M 6		3	

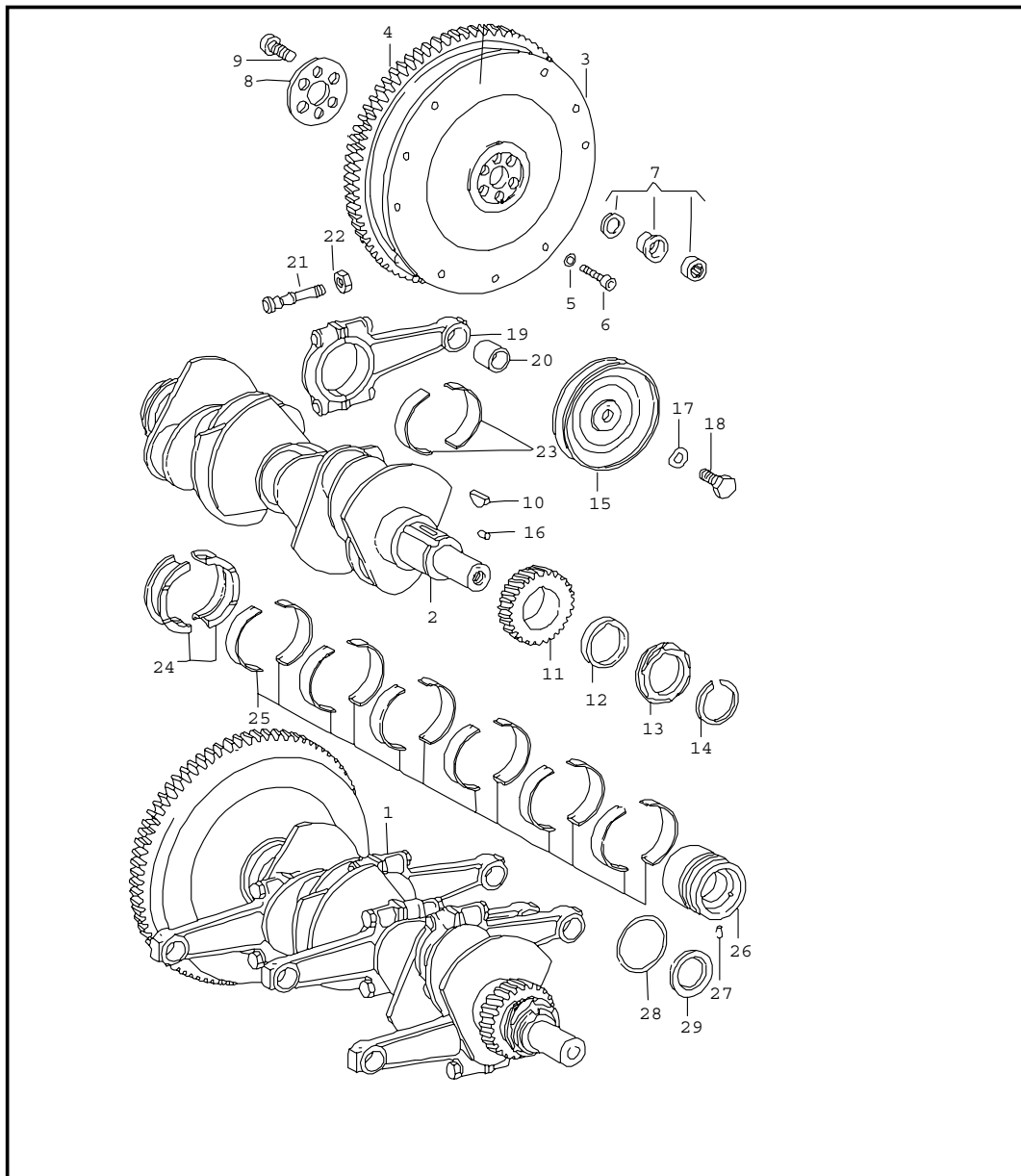
Model	Year	MG	SG	Illustration	Restrictions	Update	11:47	21.08.2006	PORSCHE	PET	PORSCHE
911	73	1	01	101-05		203					

Pos	Part Number	Name	Remarks	Qty	Model	Pos	Part Number	Name	Remarks	Qty	Model
44	901 101 035 01	oil strainer left	-71	1		-	N 013 808 3	sealing ring A 10 X 16	-70 71-	1 1	911 S 911 E/S:SPM
45	901 101 036 01	oil strainer right	-71	1		60	911 107 710 00	sealing ring	73-	1	
46	911 107 176 01	magnetic screw	70-	1		61	901 101 175 01	reducing socket	-71 72-	1	911 T:SPM 911 T-V
(46)	911 107 176 00	magnetic screw	71	1		62	901 110 133 00	connection piece for sportomatic	70- 72-	1	911 E/S 911 T-E CARRERA 2.7
47	900 123 011 30	sealing ring A 22 X 27	-71	1		63	900 123 044 30	sealing ring A 18 X 22 for sportomatic	-71 72-	1	911 T 911 T-V 911 T-K
(47)	900 123 011 20	sealing ring A 22 X 27	72-	1							
48	911 105 162 00	cover		1		(63)	900 123 044 30	sealing ring A 18 X 22 for sportomatic	70- 72-	2	911 E/S 911 T-E CARRERA 2.7
49	901 105 198 04	gasket for cover		1							
50	901 107 512 01	piston		2		64	N 016 161 1	screw plug A 18 X 1,5	73-	1	911 T-K
51	901 107 531 00	compression spring		2		65	901 641 632 00	remote temperature sensor		1	
52	900 123 071 30	sealing ring A 18 X 24		2		66	900 124 002 02	screw plug AM 14 X 1,5	-71 72-	1	911 T/E SPM
53	999 064 010 02	screw plug	-70	2		67	900 123 007 30	sealing ring A 14 X 18 see group 9/01/00		1	
(53)	999 064 026 02	screw plug	71-	2							
54	901 107 375 00	screw socket	70- 72- 72-	2 1 1	911 T/E/S 911 T-V 911 T-K	68	901 107 351 01	oil tube		4	
-	900 123 005 30	sealing ring A 12 X 16	70- 72- 72-	2 1 1	911 T/E/S 911 T-V 911 T-K	69	999 701 113 50	o-ring		8	
55	N 020 825 1	cutting ring LL 8		2		70	900 123 011 30	sealing ring A 22 X 27		1	
56	900 104 003 02	union nut ALL 8		2		71	900 136 013 02	union A 16	-71	1	
57	901 107 751 00	oil thermostat	-71	1		(71)	999 136 008 09	connection piece A 16	72-	1	
(57)	930 107 765 00	oil thermostat	72-	1		72	911 613 571 00	oil pressure switch not for sportomatic	70- 72-	1	911 T 911 E 911 T-V
58	999 701 053 50	sealing ring 39,2 X 3		1		73	911 606 230 00	oil pressure switch not for sportomatic	73-	1	911 T-K
59	901 741 551 01	pressure transmitter see group 9/01/00		1	SPM						

Model	Year	MG	SG	Illustration	Restrictions	Update	11:47	21.08.2006	PORSCHE	PET	PORSCHE
911	73	1	01	101-05		203					

Pos	Part Number	Name	Remarks	Qty	Model	Pos	Part Number	Name	Remarks	Qty	Model
74	999 659 009 40	protective cap not for sportomatic	70- 72-	1	911 T 911 E 911 T-V						
75	901 101 145 00	dowel sleeve for chain case		4							
76	999 062 009 02	stud BM 8 X 28	-71 72- 72-	3	911 T/E/S 911 T-V						
				4	911 T-E/E/S CARRERA 2.7 911 T-K						
77	999 062 008 02	stud BM 8 X 25	-71 71 72- 72-	4	911 E/S						
				2	911 T						
				3	911 T-V 911 T-E/E/S CARRERA 2.7 911 T-K						
78	999 062 147 02	stud BM 8 X 62	70- 72-	1	911 E/S 911 T-E CARRERA 2.7 911 T-K						
79	911 617 117 00	temperature switch	70- 72-	1	911 E/S 911 T-E CARRERA 2.7						
80	900 123 007 70	sealing ring A 14 X 18	70- 72-	1	911 E/S 911 T-E CARRERA 2.7						
81	999 062 099 02	stud BM 10 X 105		2	SPM						
82	999 062 192 02	stud BM 10 X 102 not for sportomatic		1							
(82)	999 062 192 02	stud BM 10 X 102 for sportomatic	72-	1	CARRERA 2.7						
83	914 355 531 00	socket piece	73-	1	911 T-K						
84	900 123 005 30	sealing ring A 12 X 15,5	73-	1	911 T-K						
85	911 107 709 00	screw socket	73-	1	911 T-K						
		- - - E N D - - -									

Model	Year	MG	SG	Illustration	Restrictions	Update	11:47	21.08.2006	PORSCHE	PET	PORSCHE
911	73	1	02	102-00		203					



Pos	Part Number	Name	Remarks	Qty	Model
1	-----	crankshaft and connecting rods			
1	-----	crankshaft with flywheel and connecting rod not available single parts order	70-72-	1	911 T/E/S 911 T-V CARRERA 2.7 911 T-K
2	901 102 011 00	crankshaft	-71	1	911 E/S
(2)	901 102 011 00	crankshaft	-71	1	911 T
(2)	916 102 016 00	crankshaft	72-	1	911 T-E/E/S 911 T-V CARRERA 2.7 911 T-K
3	911 102 201 11	flywheel		1	
4	911 116 239 00	starter ring		1	
5	-----	lock ring see group 3/01/00		9	
6	-----	pan-head screw see group 3/01/00		9	
7	901 102 025 01	bush complete		1	
8	901 102 162 04	washer for mount flywheel		1	
9	911 102 171 00	screw for mount flywheel not for sportomatic		6	
(9)	999 067 009 01	pan-head screw		6	SPM
10	901 102 147 00	woodruff key		1	
11	901 102 111 00	timing gear for number 0		1	

Model	Year	MG	SG	Illustration	Restrictions	Update	11:47	21.08.2006	PORSCHE	PET	PORSCHE
911	73	1	02	102-00		203					

Pos	Part Number	Name	Remarks	Qty	Model	Pos	Part Number	Name	Remarks	Qty	Model
(11)	901 102 111 10	timing gear for number 1		1		(19)	911 103 015 35	connecting rod weight group: 5 = 681 - 690 GR	72-	6	
12	901 102 145 00	intermediate ring		1		(19)	911 103 015 36	connecting rod weight group: 6 = 690 - 699 GR	72-	6	
13	901 102 115 00	drive wheel		1		(19)	911 103 015 37	connecting rod weight group: 7 = 699 - 708 GR	72-	6	
14	901 102 148 00	circlip		1		(19)	911 103 015 38	connecting rod weight group: 8 = 708 - 717 GR	72-	6	
15	911 102 017 50	v-belt pulley		1		20	901 103 131 01	connecting rod bush		6	
16	900 012 060 00	straight pin 5 M 6 X 10		1		21	901 103 171 00	connecting rod bolt		12	
17	900 028 014 01	spring washer B 12		1		22	901 103 173 00	connecting rod nut		12	
18	999 093 005 02	hexagon-head bolt M 12 X 1,5 X 22		1		23	901 103 141 00	connecting-rod bearing	-71	12	
19	911 103 013 21	connecting rod weight group: 1 = 700 - 709 GR	71	6		23	914 103 141 00	connecting-rod bearing	72-	12	
(19)	911 103 013 22	connecting rod weight group: 2 = 709 - 718 GR.	-71	6		(23)	901 103 141 50	connecting-rod bearing undersize 0,25 mm	-71	12	
(19)	911 103 013 23	connecting rod weight group: 3 = 718 - 727 GR.	-71	6		(23)	914 103 141 50	connecting-rod bearing undersize 0,25 mm	72-	12	
(19)	911 103 013 24	connecting rod weight group: 4 = 727 - 736 GR.	-71	6		(23)	901 103 141 60	connecting-rod bearing undersize 0,50 mm	-71	12	
(19)	911 103 013 25	connecting rod weight group: 5 = 736 - 745 GR.	-71	6		(23)	914 103 141 60	connecting-rod bearing undersize 0,50 mm	72-	12	
(19)	911 103 013 26	connecting rod weight group: 6 = 745 - 754 GR.	-71	6		(23)	901 103 141 70	connecting-rod bearing undersize 0,75 mm	-71	12	
(19)	911 103 013 27	connecting rod weight group: 7 = 754 - 763 GR.	-71	6		(23)	914 103 141 70	connecting-rod bearing undersize 0,75 mm	72-	12	
(19)	911 103 013 28	connecting rod weight group: 8 = 763 - 772 GR.	-71	6		>>>	911 101 901 00	set of crankshaft bearings comprising:		1	
(19)	911 103 015 34	connecting rod weight group: 4 = 672 - 681 GR	72-	6		(24)	901 101 131 00	bearing shell I		2	
						(25)	901 101 132 00	bearing shell II - VII		12	
						(26)	901 101 138 03	bearing shell VIII		1	

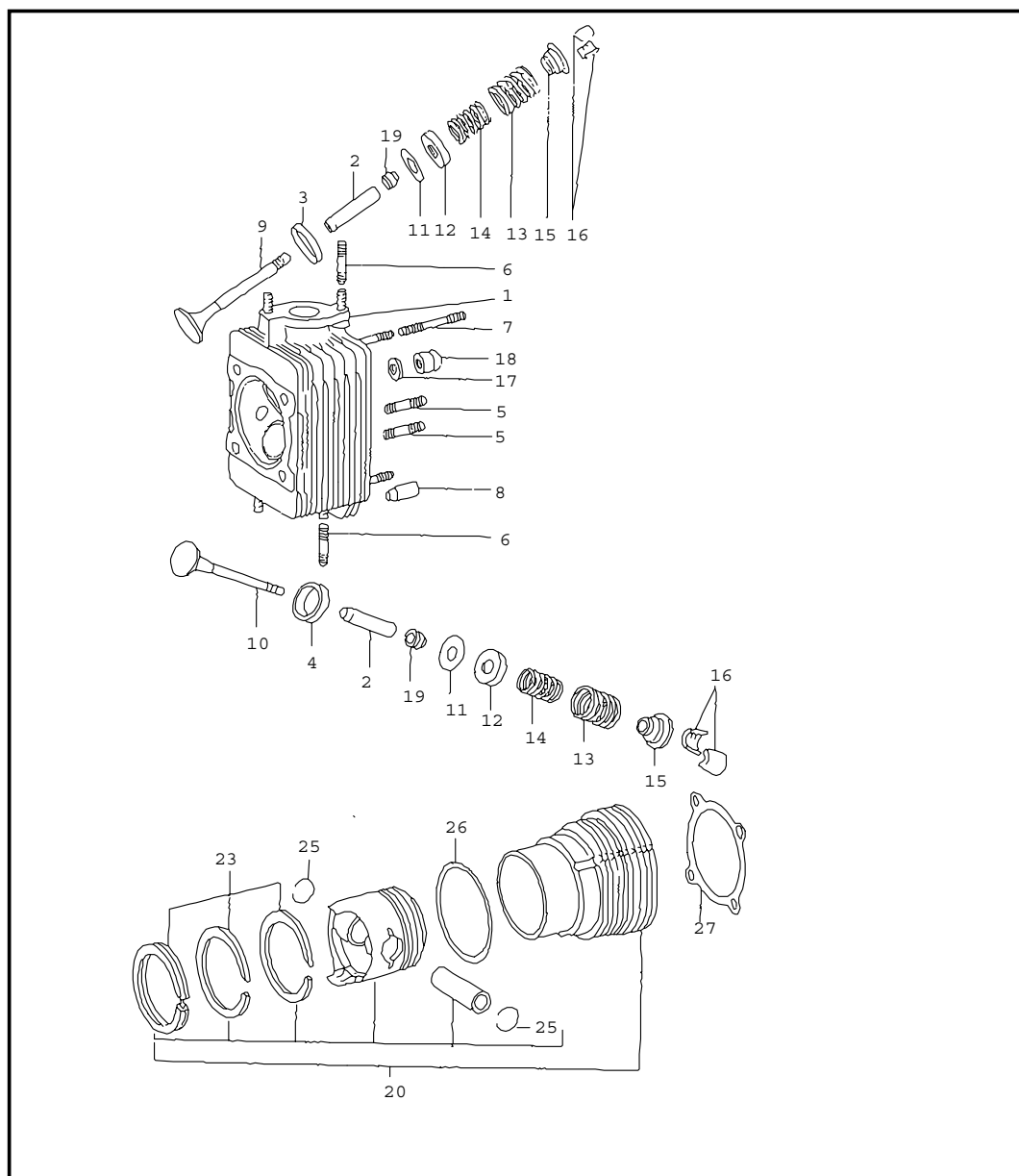
Model	Year	MG	SG	Illustration	Restrictions	Update	11:47	21.08.2006	PORSCHE	PET	PORSCHE
911	73	1	02	102-00		203					

Pos	Part Number	Name	Remarks	Qty	Model	Pos	Part Number	Name	Remarks	Qty	Model
>>>	911 101 901 50	set of crankshaft bearings undersize 0,25 mm inner comprising:		1		(26)	901 101 138 63	bearing sleeve for bearing VIII		1	
(24)	901 101 131 50	bearing shell I		2		>>>	911 101 901 70	set of crankshaft bearings oversize 0,25 mm outer undersize 0,25 mm inner comprising:		1	
(25)	901 101 132 50	bearing shell II - VII		12		(24)	901 101 131 70	bearing shell I		2	
(26)	901 101 138 53	bearing sleeve for bearing VIII		1		(25)	901 101 132 70	bearing shell II - VII		12	
>>>	911 101 901 55	set of crankshaft bearings undersize 0,50 mm inner comprising:		1		(26)	901 101 138 73	bearing sleeve for bearing VIII		1	
(24)	901 101 131 55	bearing shell I		2		>>>	911 101 901 75	set of crankshaft bearings oversize 0,25 mm outer undersize 0,50 mm inner comprising:		1	
(25)	901 101 132 55	bearing shell II - VII		12		(24)	901 101 131 75	bearing shell I		2	
(26)	901 101 138 58	bearing sleeve for bearing VIII		1		(25)	901 101 132 75	bearing shell II - VII		12	
>>>	911 101 901 65	set of crankshaft bearings undersize 0,75 mm inner comprising:		1		(26)	901 101 138 78	bearing sleeve for bearing VIII		1	
(24)	901 101 131 65	bearing shell I		2		>>>	911 101 901 85	set of crankshaft bearings oversize 0,25 mm outer undersize 0,75 mm inner comprising:		1	
(25)	901 101 132 65	bearing shell II - VII		12		(24)	901 101 131 85	bearing shell I		2	
(26)	901 101 138 68	bearing sleeve for bearing VIII		1		(25)	901 101 132 85	bearing shell II - VII		12	
>>>	911 101 901 60	set of crankshaft bearings oversize 0,25 mm outer comprising:		1		(26)	901 101 138 88	bearing sleeve for bearing VIII		1	
(24)	901 101 131 60	bearing shell I		2							
(25)	901 101 132 60	bearing shell II - VII		12							

Model	Year	MG	SG	Illustration	Restrictions	Update	11:47	21.08.2006	PORSCHE	PET	PORSCHE
911	73	1	02	102-00		203					

Pos	Part Number	Name	Remarks	Qty	Model	Pos	Part Number	Name	Remarks	Qty	Model
27	900 012 061 00	straight pin 5 H 8 X 10		1							
28	900 174 041 40	sealing ring		1							
29	999 113 049 50	radial sealing ring 30 X 50 X 10		1							
(29)	999 113 291 40	sealing ring undersize 29,5 X 50 X 10		1							
		- - - E N D - - -									

Model	Year	MG	SG	Illustration	Restrictions	Update	11:47	21.08.2006	PORSCHE	PET	PORSCHE
911	73	1	03	103-00		203					

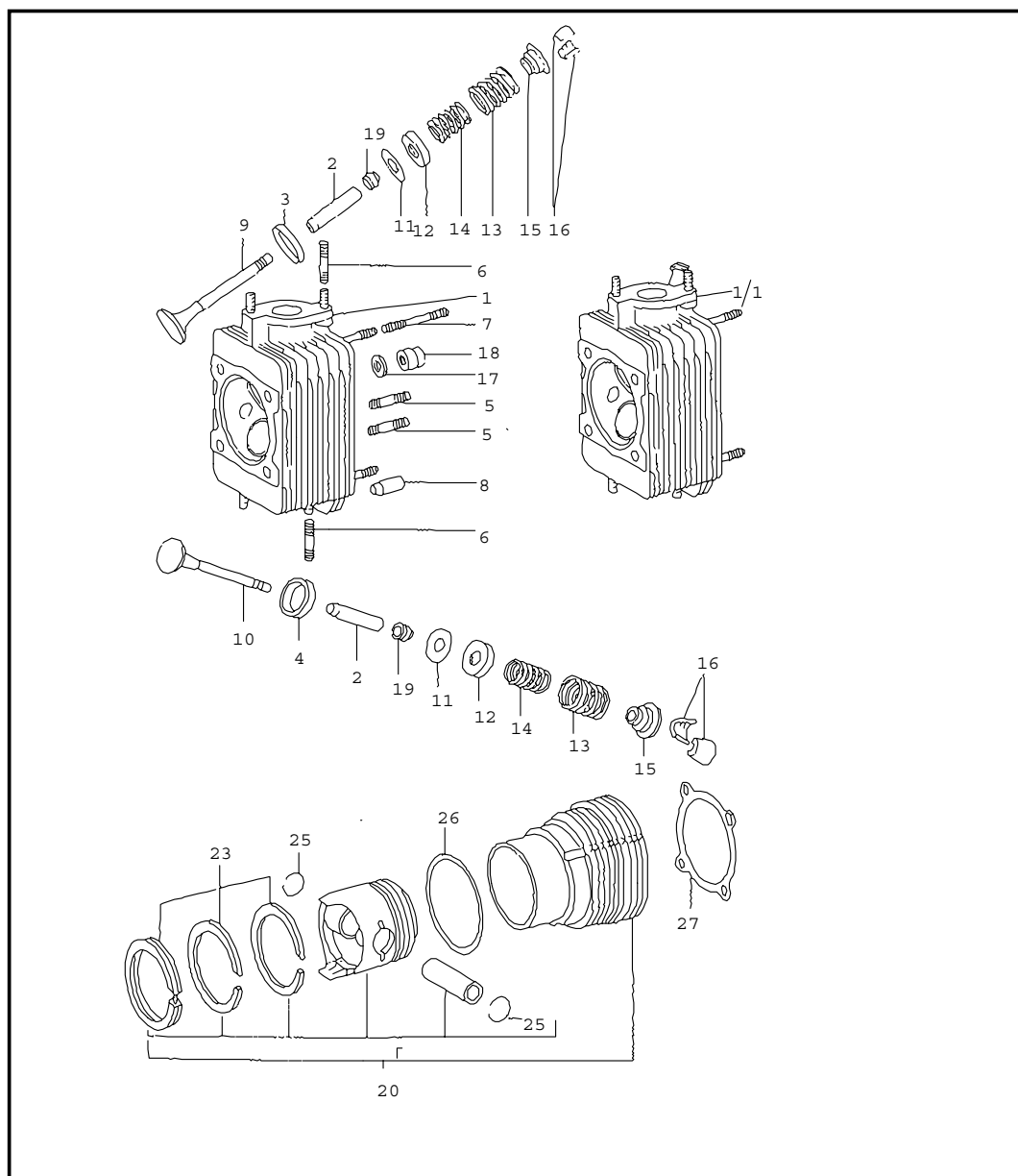


Pos	Part Number	Name	Remarks	Qty	Model
		cylinder head cylinder with pistons	-71		
(1)	911 104 006 01	cylinder head with studs with valves ready for installation		6	911 T
(1)	911 104 007 00	cylinder head with studs with valves ready for installation		6	911 E
(1)	911 104 008 00	cylinder head with studs with valves ready for installation		6	911 S
1	911 104 036 01	cylinder head with studs without valves		6	911 T
(1)	911 104 037 00	cylinder head with studs without valves		6	911 E
(1)	911 104 038 00	cylinder head with studs without valves		6	911 S
2	930 104 321 50	valve guide 1st oversize		12	
(2)	901 104 321 61	valve guide 2nd oversize		12	
3	911 104 311 51	valve seat ring for intake oversize		6	
4	911 104 315 50	valve seat ring for exhaust oversize		6	
5	900 061 006 01	stud BM 8 X 20 SN 1115		24	
6	900 061 007 01	stud BM 8 X 22 SN 1115		12	911 E/S
(6)	900 061 008 01	stud BM 8 X 25 SN 1115		12	911 T
7	900 061 012 01	stud BM 8 X 50 SN 1115		24	

Model	Year	MG	SG	Illustration	Restrictions	Update	11:47	21.08.2006	PORSCHE	PET	PORSCHE
911	73	1	03	103-00		203					

Pos	Part Number	Name	Remarks	Qty	Model	Pos	Part Number	Name	Remarks	Qty	Model
8	999 012 006 00	straight pin		12		(20)	911 103 918 02	cylinder with pistons complete group 6		6	911 S
9	911 105 411 20	intake valve		6							
10	911 105 415 50	exhaust valve		6		23	911 103 901 01	set of piston rings		X	911 T/E
11	930 105 461 00	washer		X		(23)	911 103 902 01	set of piston rings		X	911 S
12	901 105 463 00	ring		12		(23)	911 103 906 01	set of piston rings - SCHMIDT -		X	911 T
3+14	901 105 901 50	set of valve springs outer and inner		12		(23)	911 103 901 26	set of piston rings \$ 84,25		X	911 T/E
15	901 105 421 03	concave washer		12		(23)	911 103 901 50	set of piston rings \$ 84,50	-70	X	911 T/E
16	901 105 417 00	collet divided		24		(23)	911 103 945 25	piston ring \$ 84,25		X	911 S
17	999 031 083 01	washer		24		(23)	911 103 902 50	set of piston rings \$ 84,50	-70	X	911 S
18	901 104 382 02	cylinder head nut		24		(23)	911 103 906 26	set of piston rings \$ 84,25 - SCHMIDT -		X	911 T
19	911 104 193 00	valve seal		12		(23)	911 103 906 50	set of piston rings \$ 84,50 - SCHMIDT -	-70	X	911 T
20	911 103 914 01	cylinder with pistons complete group 5 - mahle -		6	911 T	(23)	911 103 906 50	set of piston rings \$ 84,50 - SCHMIDT -	-70	X	911 T
(20)	911 103 914 02	cylinder with pistons complete group 6 - mahle -		6	911 T	25	900 178 002 00	snap ring		12	911 T/E
(20)	911 103 914 01	cylinder with pistons complete group 5 - SCHMIDT -		6	911 T	(25)	901 103 381 00	snap ring		12	911 S
(20)	911 103 914 02	cylinder with pistons complete group 6 - SCHMIDT -		6	911 T	26	901 104 191 00	cylinder base gasket 0,25 MM		6	
(20)	911 103 916 01	cylinder with pistons complete group 5		6	911 E	(26)	901 104 191 02	gasket 0,5 MM		X	
(20)	911 103 916 02	cylinder with pistons complete group 6		6	911 E	27	908 104 391 00	cylinder head gasket		6	
(20)	911 103 918 02	cylinder with pistons complete group 5		6	911 S			- - - E N D - - -			

Model	Year	MG	SG	Illustration	Restrictions	Update	11:48	21.08.2006	PORSCHE	PET	PORSCHE
911	73	1	03	103-05		203					



Pos	Part Number	Name	Remarks	Qty	Model
		cylinder head cylinder with pistons	72-		
(1)	911 104 006 01	cylinder head with studs with valves ready for installation		6	911 T-V
(1/1)	911 104 002 00	cylinder head with studs with valves ready for installation		6	911 T-K
(1)	911 104 004 00	cylinder head with studs with valves ready for installation		6	911 T-E
(1)	911 104 004 X	cylinder head exchange with studs with valves ready for installation		X	911 T-E
(1)	911 104 007 00	cylinder head with studs with valves ready for installation		6	911 E
(1)	911 104 008 00	cylinder head with studs with valves ready for installation		6	911 S CARRERA 2.7
1	911 104 036 01	cylinder head with studs without valves		6	911 T-V
1/1	911 104 032 00	cylinder head with studs without valves		6	911 T-K
(1)	911 104 034 00	cylinder head with studs without valves		6	911 T-E
(1)	911 104 037 00	cylinder head with studs without valves		6	911 E
(1)	911 104 038 00	cylinder head with studs without valves		6	911 S CARRERA 2.7
2	930 104 321 50	valve guide 1st oversize		12	

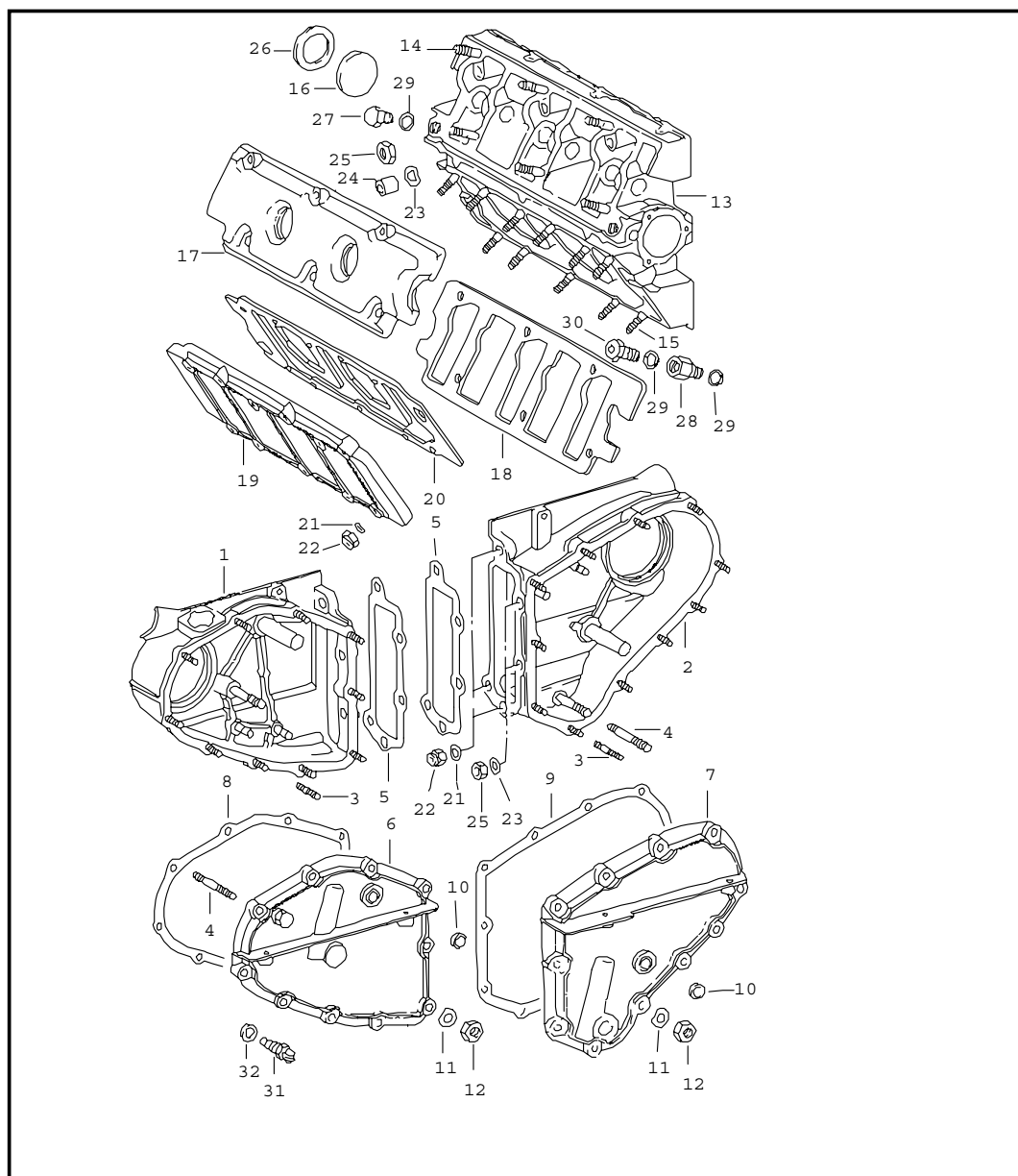
Model	Year	MG	SG	Illustration	Restrictions	Update	11:48	21.08.2006	PORSCHE	PET	PORSCHE
911	73	1	03	103-05		203					

Pos	Part Number	Name	Remarks	Qty	Model	Pos	Part Number	Name	Remarks	Qty	Model
(2)	901 104 321 61	valve guide 2nd oversize		12		(20)	911 103 942 02	cylinder with pistons complete group 6 - mahle -		6	911 T-E 911 T-V
3	911 104 311 51	valve seat ring for intake oversize		6		(20)	911 103 940 01	cylinder with pistons complete group 5		6	911 T-K
4	911 104 315 50	valve seat ring for exhaust oversize		6		(20)	911 103 940 02	cylinder with pistons complete group 6		6	911 T-K
5	900 061 006 01	stud BM 8 X 20 SN 1115		24		(20)	911 103 942 05	cylinder with pistons complete group 5 - SCHMIDT -		6	911 T-E 911 T-V
6	900 061 007 01	stud BM 8 X 22 SN 1115		12	911 T-E/E/S CARRERA 2.7	(20)	911 103 942 06	cylinder with pistons complete group 6 - SCHMIDT -		6	911 T-E 911 T-V
(6)	900 061 008 01	stud BM 8 X 25 SN 1115		12	911 T-V 911 T-K	(20)	911 103 943 01	cylinder with pistons complete group 5		6	911 E
7	900 061 012 01	stud BM 8 X 50 SN 1115		24		(20)	911 103 943 02	cylinder with pistons complete group 6		6	911 E
8	999 012 006 00	straight pin		12		(20)	911 103 944 02	cylinder with pistons complete group 5		6	911 S
9	911 105 411 20	intake valve		6		(20)	911 103 928 01	cylinder with pistons complete group 5	73-	6	CARRERA 2.7
10	911 105 415 50	exhaust valve		6		(20)	911 103 928 01	cylinder with pistons complete group 6 not available	73-	6	CARRERA 2.7
11	930 105 461 00	washer		X		23	911 103 945 00	set of piston rings TYP 911/51-53/57 TYP 911/61-63/67		X	911 T-E/E/S 911 T-V
12	901 105 463 00	ring		12		(23)	911 103 941 00	set of piston rings		X	911 T-K
13+14	901 105 901 50	set of valve springs outer and inner		12		(23)	911 103 934 00	set of piston rings	73-	X	CARRERA 2.7
15	901 105 421 03	concave washer		12		25	900 178 002 00	snap ring C 22		12	911 T-E/E 911 T-V 911 T-K
16	901 105 417 00	collet divided		24							
17	999 031 083 01	washer		24							
18	901 104 382 02	cylinder head nut		24							
19	911 104 193 00	valve seal		12							
20	911 103 942 01	cylinder with pistons complete group 5 - mahle -		6	911 T-E 911 T-V						

Model	Year	MG	SG	Illustration	Restrictions	Update	11:48	21.08.2006	PORSCHE	PET	PORSCHE
911	73	1	03	103-05		203					

Pos	Part Number	Name	Remarks	Qty	Model	Pos	Part Number	Name	Remarks	Qty	Model
(25)	901 103 381 00	snap ring		12	911 S CARRERA 2.7						
26	901 104 191 00	cylinder base gasket 0,25 MM		6	911 T/E/S 911 T-V 911 T-K						
26	901 104 191 02	gasket 0,5 MM		X	911 T/E/S 911 T-V 911 T-K						
(26)	911 104 192 00	cylinder base gasket	73-	6	CARRERA 2.7						
27	908 104 391 00	ce-seal ring		6	911 T/E/S 911 T-V 911 T-K						
(27)	912 104 314 00	ce-seal ring \$ 84,25	73-	6	CARRERA 2.7						
(23)	911 103 945 25	set of piston rings \$ 84,25 TYP 911/51-53/57 TYP 911/61-63/67		X	911 T-E/E/S 911 T-V						
(23)	911 103 901 50	set of piston rings \$ 84,50 TYP 911/51-53/57 TYP 911/61-63/67		X	911 T-E/E/S 911 T-V						
(23)	911 103 941 25	set of piston rings \$ 84,25		X	911 T-K						
(23)	911 103 941 50	set of piston rings \$ 84,50		X	911 T-K						
		- - - E N D - - -									

Model	Year	MG	SG	Illustration	Restrictions	Update	11:48	21.08.2006	PORSCHE	PET	PORSCHE
911	73	1	03	103-10		203					



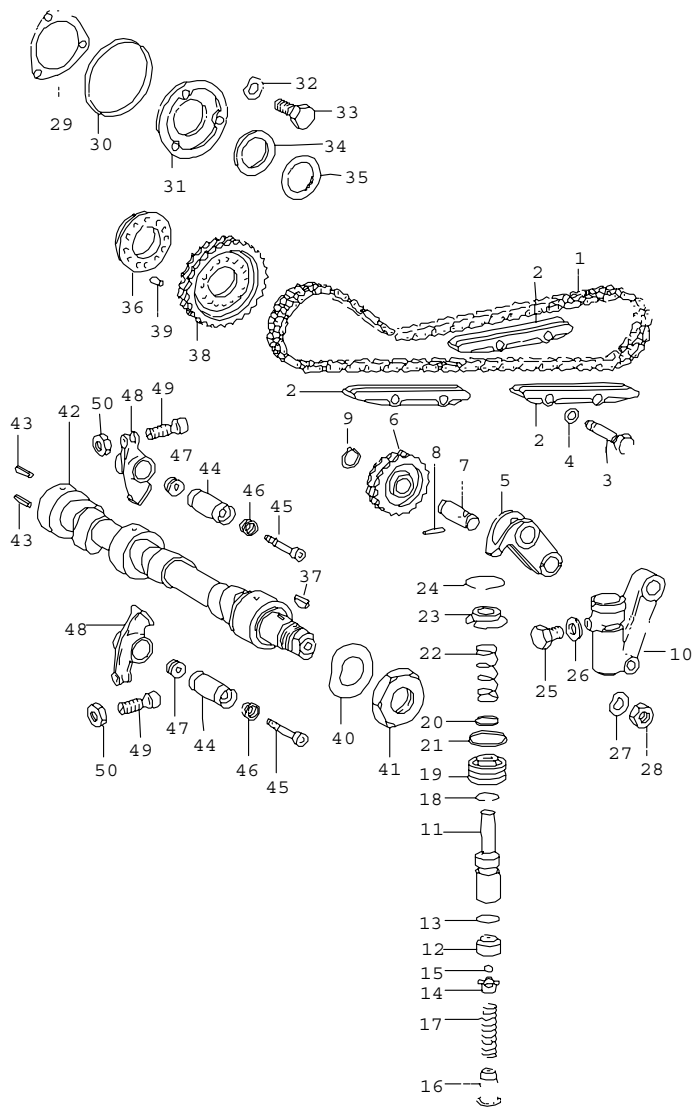
Pos	Part Number	Name	Remarks	Qty	Model
		chain case camshaft housing			
1	901 105 061 02	chain case	/L	1	
2	901 105 062 02	chain case	/R	1	
3	999 062 102 02	stud BM 6 X 22		21	
4	900 061 012 02	stud BM 8 X 50		2	
5	901 105 193 03	gasket crankcase and chain case		2	
6	930 105 063 01	cover chain case	/L	1	
7	901 105 064 03	cover chain case	/R	1	
8	901 105 191 03	gasket	/L	1	
9	901 105 192 03	gasket	/R	1	
10	900 036 008 02	cover 15		2	
11	900 031 011 30	washer 6,4		21	
12	900 084 010 02	hexagon nut M 6		21	
13	901 105 021 05	camshaft housing complete		2	
14	999 062 009 02	stud BM 8 X 28		12	
15	999 062 010 02	stud BM 8 X 35		22	
-	901 105 379 00	plug	72-	4	
16	901 105 161 01	cover	72- 70- 72-	2	911 T-V 911 T-K 911 T/E/S CARRERA 2.7
17	901 105 115 03	cover for camshaft housing upper		2	

Model	Year	MG	SG	Illustration	Restrictions	Update	11:48	21.08.2006	PORSCHE	PET	PORSCHE
911	73	1	03	103-10		203					

Pos	Part Number	Name	Remarks	Qty	Model	Pos	Part Number	Name	Remarks	Qty	Model
18	901 105 194 03	gasket for cover camshaft housing upper		2							
19	930 105 116 00	cover for camshaft housing lower		2							
20	901 105 195 04	gasket for camshaft housing lower		2							
21	900 031 014 30	washer 8,4		X							
22	900 084 004 02	hexagon nut M 8		X							
23	N 012 241 1	spring washer BM 8 X 15	-70	X							
(23)	N 012 241 8	spring washer BM 8 X 15	71-	X							
24	901 111 271 00	nut		6							
25	900 076 025 02	hexagon nut M 8		X							
26	999 113 068 50	radial sealing ring BA 35 X 47 X 7	70- 72-	1	911 E/S 911 T-E CARRERA 2.7						
27	901 105 374 00	screw plug		2							
28	901 105 361 01	intermediate piece		2							
29	900 123 005 30	sealing ring A 12 X 16		6							
30	900 134 006 02	banjo bolt A 6		2							
31	911 617 117 00	temperature switch	72-	1	911 T-K						
32	900 123 007 00	gasket A 14 X 18	72-	1	911 T-K						
		- - - E N D - - -									

Model	Year	MG	SG	Illustration	Restrictions	Update	11:48	21.08.2006	PORSCHE	PET	PORSCHE
911	73	1	03	103-15		203					

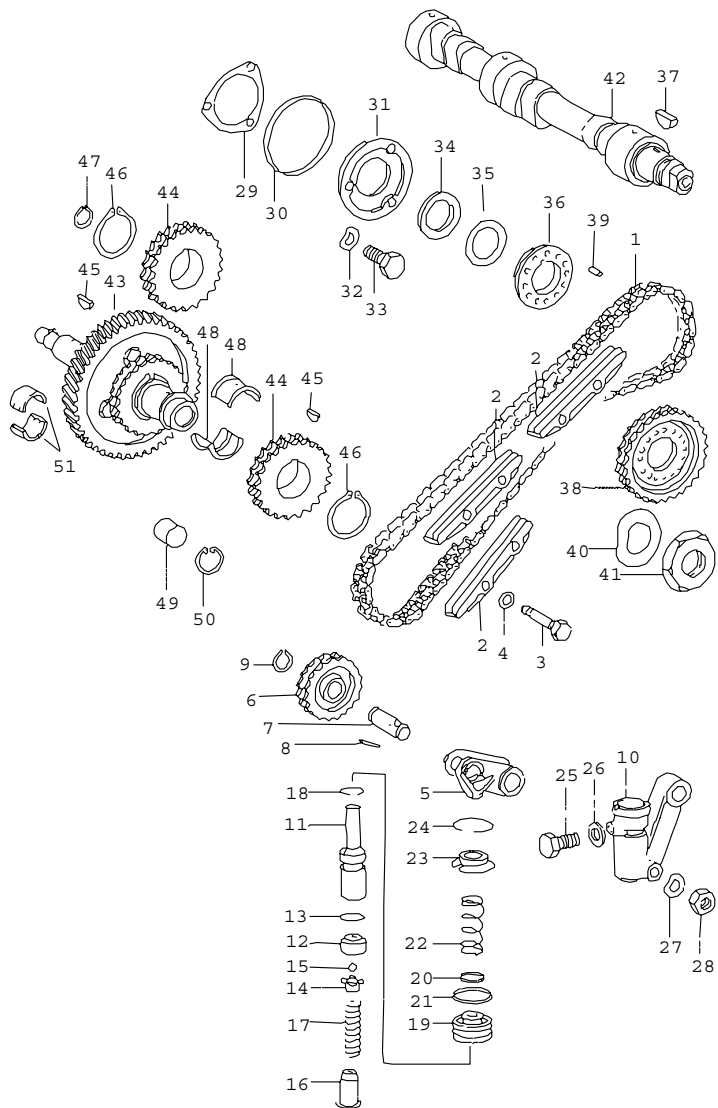
Pos	Part Number	Name	Remarks	Qty	Model
1	901 105 529 00	valve control left		1	
2	911 105 222 05	timing chain		3	
3	901 105 226 03	guide piece		4	
4	* 900 123 066 30	bolt for guide piece		4	
5	901 105 505 02	sealing ring A 10 X 16		4	
6	901 105 505 02	chain wheel support	/L	1	
7	901 105 055 00	sprocket	/L	1	
8	901 105 056 01	bolt complete		1	
9	900 197 010 00	tensioning sleeve 3 X 22		1	
10	N 012 415 1	circlip 15 X 1		1	
11	901 105 050 01	housing complete		1	
12-15	* 901 105 049 02	chain adjuster complete		1	
16-26	- 911 105 901 00	repair kit comprising: picture 12-15,18,20,21,24,26 see group 1/98/05		1	
27	930 105 559 00	piston for chain adjuster		1	
28	* --- --- --- --	intermediate piece		1	
29	* --- --- --- --	o-ring OR 10-1		1	
30	* --- --- --- --	housing for ball valve		1	
31	* --- --- --- --	ball		1	
32	930 105 523 00	spring guide		1	
33	916 105 534 00	compression spring		1	



Model	Year	MG	SG	Illustration	Restrictions	Update	11:48	21.08.2006	PORSCHE	PET	PORSCHE
911	73	1	03	103-15		203					

Pos	Part Number	Name	Remarks	Qty	Model	Pos	Part Number	Name	Remarks	Qty	Model
18	900 152 005 00	snap ring B 16		1		37	900 118 005 00	woodruff key 4 X 5		1	
19	901 105 557 01	piston		1		38	901 105 546 02	sprocket II		1	
20	* --- --- --- ---	o-ring CR 8,3 - 2,4		1		39	900 243 001 00	straight pin 6 H 8 X 14		1	
21	* --- --- --- ---	o-ring CR 20,3 - 2,4		1		40	900 028 021 01	spring washer B 30		1	
22	930 105 535 01	compression spring		1		41	901 105 172 00	nut for camshaft	/L	1	
23	930 105 568 00	concave washer		1		42	901 105 133 01	camshaft	/L 70- 72-	1	911 T 911 T-V
24	* --- --- --- ---	snap ring B 28		1		(42)	911 105 141 00	camshaft	/L 73-	1	911 T-K
25	930 105 573 00	bleeder screw		1		(42)	901 105 181 00	camshaft for engine with injection system	/L 70-	1	911 E
26	* --- --- --- ---	sealing ring A 6,5 X 9,5		1		(42)	901 105 183 01	camshaft for engine with injection system	/L 70- 72-	1	911 S CARRERA 2.7
27	N 012 241 1	spring washer B 8 X 15	-70	1		43	900 095 017 01	tensioning sleeve 5 X 24		2	SPM
(27)	N 012 241 8	spring washer B 8 X 15	71-	1		44	901 105 342 04	rocker shaft		12	
28	900 076 025 02	hexagon nut M 8		1		45	999 067 008 00	pan-head screw		12	
29	901 105 197 00	gasket for sealing ring		1		46	901 105 344 02	bush		12	
30	999 701 124 40	o-ring 67,5 X 75,5 X 4		1		47	901 105 376 02	nut		12	
31	930 105 196 00	cover		1		48	930 105 043 00	rocker arm		12	
32	900 028 008 01	spring washer B 6	-70	3		49	901 105 370 02	adjusting screw		12	
(32)	N 012 226 5	spring washer B 6	71-	3		50	999 034 005 00	nut		12	
33	900 075 017 02	hexagon-head bolt M 6 X 25		3				- - - E N D - - -			
34	901 105 562 00	thrust washer		1							
35	901 105 561 00	shim		X							
36	901 105 583 01	flange for sprocket		1							

Model	Year	MG	SG	Illustration	Restrictions	Update	11:48	21.08.2006	PORSCHE	PET	PORSCHE
911	73	1	03	103-20		203					



Pos	Part Number	Name	Remarks	Qty	Model
1	901 105 529 00	valve control right		1	
2	911 105 222 05	timing chain		3	
3	901 105 226 03	guide piece		4	
4	* 900 123 066 30	bolt for guide piece		4	
4	* 900 123 066 30	sealing ring A 10 X 16		4	
5	901 105 506 02	chain wheel support	/R	1	
6	901 105 055 00	sprocket		1	
7	901 105 056 01	bolt complete		1	
8	900 197 010 00	tensioning sleeve 3 X 22		1	
9	N 012 415 1	circlip 15 X 1		1	
10	901 105 050 01	housing complete		1	
0-26	901 105 049 01	chain adjuster complete		1	
-	911 105 901 00	repair kit comprising: picture 12-15,18,20,21,24,26 see group 1/98/05		1	
11	930 105 559 00	piston for chain adjuster		1	
12	* --- --- --- --	intermediate piece		1	
13	* --- --- --- --	o-ring OR 10-1		1	
14	* --- --- --- --	housing for ball valve		1	
15	* --- --- --- --	ball		1	
16	930 105 523 00	spring guide		1	
17	916 105 534 00	compression spring		1	

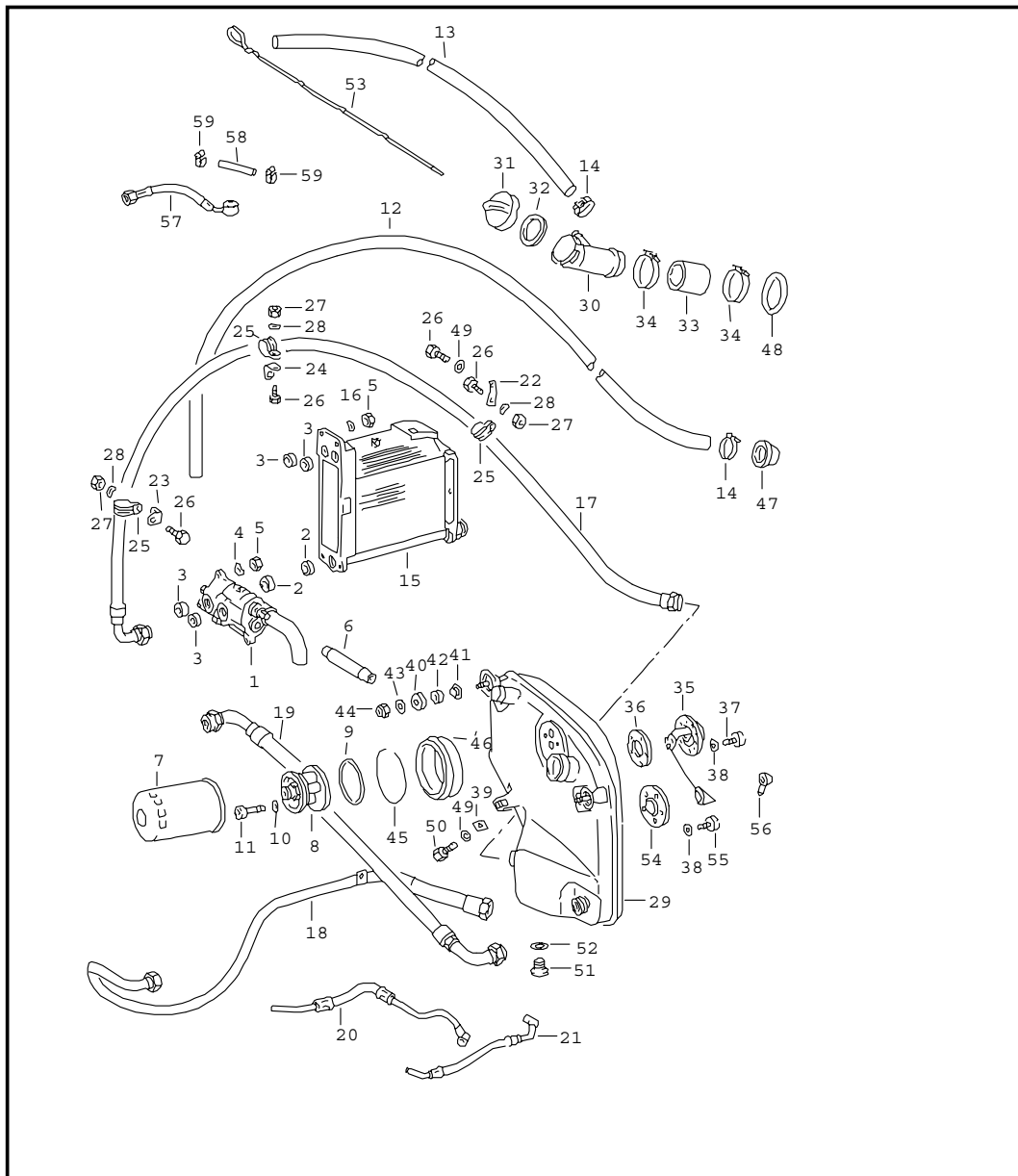
Model	Year	MG	SG	Illustration	Restrictions	Update	11:48	21.08.2006	PORSCHE	PET	PORSCHE
911	73	1	03	103-20		203					

Pos	Part Number	Name	Remarks	Qty	Model	Pos	Part Number	Name	Remarks	Qty	Model
18	* --- --- --- ---	snap ring B 16		1		37	900 118 005 00	woodruff key 4 X 5		1	
19	901 105 557 01	piston		1		38	901 105 546 02	sprocket II		1	
20	* --- --- --- ---	o-ring CR 8,3 - 2,4		1		39	900 243 001 00	straight pin 6 H 8 X 14		1	
21	* --- --- --- ---	o-ring CR 20,3 - 2,4		1		40	900 028 021 01	spring washer B 30		1	
22	930 105 535 01	compression spring		1		41	901 105 172 00	nut for camshaft		1	
23	930 105 568 00	concave washer		1		42	901 105 134 00	camshaft	/R 70- /R 72-	1	911 T 911 T-V
24	* --- --- --- ---	snap ring B 28		1		(42)	911 105 142 00	camshaft	/R 73-	1	911 T-K
25	930 105 573 00	bleeder screw		1		(42)	901 105 110 05	camshaft for engine with injection system	/R 70-	1	911 E
26	* --- --- --- ---	sealing ring A 6,5 X 9,5		1		(42) A	901 105 168 00	camshaft	/R 70-	1	911 S
27	N 012 241 1	spring washer B 8 X 15	-70	1		(42)	901 105 168 01	camshaft for engine with injection system	/R 70- 72-	1	911 S CARRERA 2.7
(27)	N 012 241 8	spring washer B 8 X 15	71-	1		43	930 105 013 01	intermediate shaft size 0		1	
28	900 076 025 02	hexagon nut M 8		1		(43)	930 105 013 11	intermediate shaft size 1	WW	1	
29	901 105 197 00	gasket for sealing ring		1		44	901 105 125 04	sprocket		2	
30	999 701 124 40	o-ring 67,5 X 75,5 X 4		1		45	900 118 010 00	woodruff key		2	
31	930 105 196 00	cover		1		46	900 041 025 01	circlip 36 X 1,75		2	
32	900 028 008 01	spring washer B 6	-70	3		47	900 041 026 01	circlip 13 X 1		1	
(32)	N 012 226 5	spring washer B 6	71-	3		48	916 101 137 00	thrust bearing for intermediate shaft		2	
33	900 075 017 02	hexagon-head bolt M 6 X 25		3		49	901 105 275 00	plug		1	
34	901 105 562 00	thrust washer		1							
35	901 105 561 00	shim		X							
36	901 105 583 01	flange for sprocket		1							

Model	Year	MG	SG	Illustration	Restrictions	Update	11:48	21.08.2006	PORSCHE	PET	PORSCHE
911	73	1	03	103-20		203					

Pos	Part Number	Name	Remarks	Qty	Model	Pos	Part Number	Name	Remarks	Qty	Model
50	N 012 296 1	circlip 16 X 1		1							
51	901 101 135 00	thrust bearing for intermediate shaft - - - E N D - - -	71-	2							

Model	Year	MG	SG	Illustration	Restrictions	Update	11:49	21.08.2006	PORSCHE	PET	PORSCHE
911	73	1	04	104-00		203					



Pos	Part Number	Name	Remarks	Qty	Model
		engine lubrication	-71		
1	901 107 002 06	oil pump		1	
2	999 704 173 50	sealing ring		2	
3	999 704 172 50	sealing ring		4	
4	999 039 001 00	tab washer		3	
5	900 076 025 02	hexagon nut M 8		7	
6	901 107 121 00	connecting shaft		1	
7	901 107 203 09	oil filter		1	
8	901 107 025 00	bracket		1	911 T/E
9	999 701 100 50	o-ring		1	
10	900 028 003 01	spring washer A 6		3	
11	900 067 067 02	pan-head screw M 6 X 40		3	911 T/E
12	901 107 394 00	connecting hose crankcase - oil tank		1	
13	901 107 394 00	connecting hose oil tank - air cleaner		1	
14	999 512 356 02	hose clamp		4	
15	901 107 041 02	oil cooler		1	
16	N 012 241 1	spring washer B 8 X 15	-70 71	4	
(16)	N 012 241 8	spring washer B 8 X 15		4	
17	901 107 331 12	breather hose engine - oil tank		1	
18	901 107 720 01	pressure line engine - oil tank		1	911 T/E:SPM

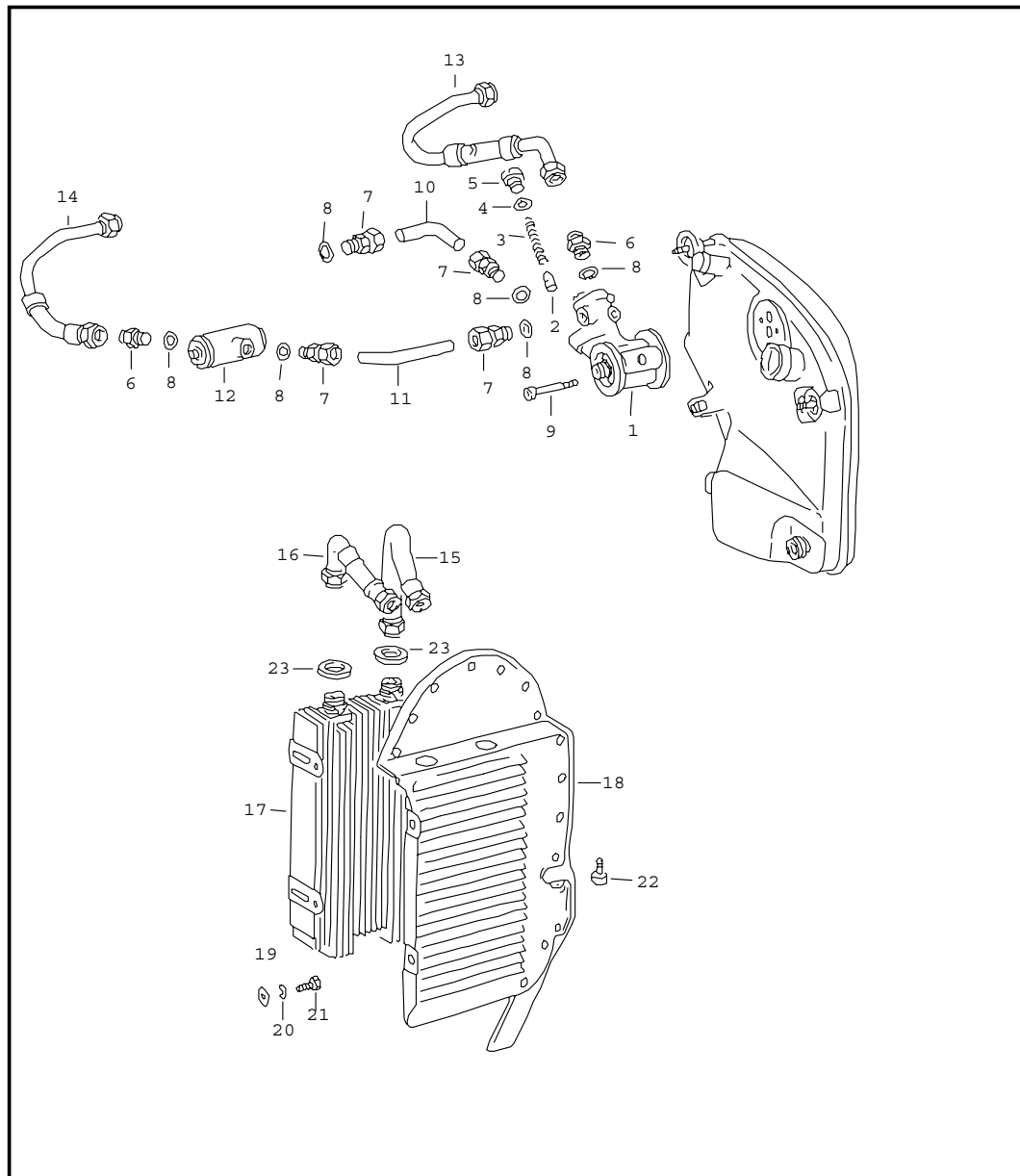
Model	Year	MG	SG	Illustration	Restrictions	Update	11:49	21.08.2006	PORSCHE	PET	PORSCHE
911	73	1	04	104-00		203					

Pos	Part Number	Name	Remarks	Qty	Model	Pos	Part Number	Name	Remarks	Qty	Model
19	901 107 301 12	breather hose engine - oil tank		1		36	914 201 891 00	gasket		1	
20	901 107 347 01	oil hose complete	/L	1		37	N 014 760 3	pan-head screw M 5 X 12	-70 71	5	SPM 911 E/S:SPM
21	901 107 348 00	oil hose complete	/R	1		38	900 025 003 30	washer	-70	5	SPM 911 E/S:SPM
22	901 107 355 00	support not for sportomatic		1		39	901 501 909 20	intermediate layer		1	
23	901 423 369 00	retaining bracket not for sportomatic		1		40	901 107 661 00	washer		2	
24	901 107 357 00	retaining bracket not for sportomatic		1		41	901 107 692 00	washer		2	
25	999 511 065 02	clip not for sportomatic		3		42	901 107 693 01	washer		2	
26	900 075 010 02	hexagon-head bolt M 6 X 12 not for sportomatic		3		43	900 151 008 02	washer B 8,4		2	
27	900 076 010 02	hexagon nut M 6 not for sportomatic		3		44	999 090 004 02	hexagon nut M 8		2	
28	900 028 008 01	spring washer B 6 not for sportomatic		3		45	901 107 281 00	snap ring		1	
29	911 107 001 15	oil tank		1		46	901 107 291 00	sealing ring for oil filter		1	
30	901 107 640 02	filler neck		1		47	901 107 695 00	sealing sleeve for breather adapter		1	
31	901 201 271 00	fuel tank cap with gasket		1		48	901 107 696 00	sealing ring		1	
32	901 201 272 00	sealing ring		1		49	N 011 524 7	washer 6,4		2	
33	901 107 694 00	hose		1		50	N 010 215 13	hexagon-head bolt M 6 X 15		1	
34	999 512 348 02	hose clamp		2		51	911 107 176 01	magnetic screw	-70	1	
35	901 641 541 00	oil-level sender	-70 71	1	SPM 911 E/S:SPM	(51)	911 107 176 00	magnetic screw	71	1	
						52	900 123 011 30	sealing ring A 22 X 27 AL		1	
						53	901 107 770 00	oil level dipstick		1	
						54	901 107 636 00	cover without sender for oil-level sender not for sportomatic		1	911 T

Model	Year	MG	SG	Illustration	Restrictions	Update	11:49	21.08.2006	PORSCHE	PET	PORSCHE
911	73	1	04	104-00		203					

Pos	Part Number	Name	Remarks	Qty	Model	Pos	Part Number	Name	Remarks	Qty	Model
55	N 010 225 4	hexagon-head bolt M 5 X 8 not for sportomatic		5	911 T						
56	999 659 011 50	protective cap	-70 71	1	SPM 911 E/S:SPM						
57	901 110 041 01	hose line for injection pump		1	911 E/S:SPM						
-	999 180 029 50	hose C SN 710		*							
58	-	hose 10 X 60		1	911 E/S:SPM						
59	999 512 134 02	hose clamp		2	911 E/S:SPM						
		- - - E N D - - -									

Model	Year	MG	SG	Illustration	Restrictions	Update	11:49	21.08.2006	PORSCHE	PET	PORSCHE
911	73	1	04	104-05		203					

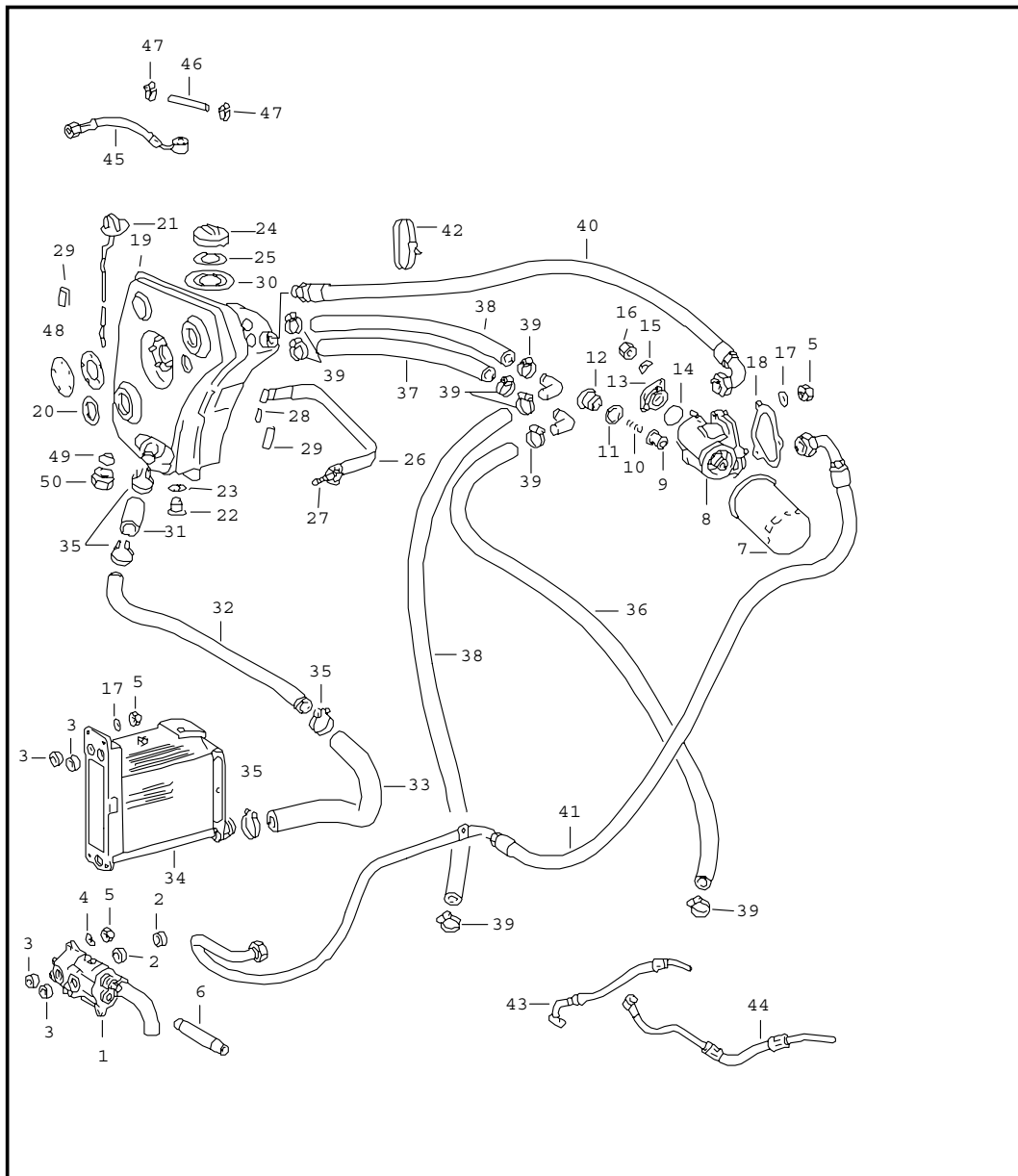


Pos	Part Number	Name	Remarks	Qty	Model
		engine lubrication auxiliary units for TYP 901/10	-71		911 S
1	901 107 901 00	bracket		1	
2	901 107 512 01	piston		1	
3	901 107 531 00	compression spring		1	
4	900 123 071 30	sealing ring C 18 X 24 AL MG SI F 32		1	
5	999 064 010 02	screw plug		1	
6	900 136 013 02	union A 16		2	
7	PCG 107 012 02	threaded joint AM 18 X 11		4	
8	900 123 011 30	sealing ring A 22 X 27 AL		6	
9	900 067 092 02	pan-head screw M 6 X 70		3	
10	901 107 726 00	oil tube bracket - oil thermostat		1	
11	901 107 727 00	oil tube oil thermostat - bracket		1	
12	901 107 801 01	oil thermostat		1	
13	901 107 362 00	oil hose oil cooler - bracket rear		1	
14	901 107 363 00	oil pipe oil thermostat - oil cooler rear		1	
15	901 107 364 00	oil hose oil thermostat - oil cooler front		1	

Model	Year	MG	SG	Illustration	Restrictions	Update	11:49	21.08.2006	PORSCHE	PET	PORSCHE
911	73	1	04	104-05		203					

Pos	Part Number	Name	Remarks	Qty	Model	Pos	Part Number	Name	Remarks	Qty	Model
16	901 107 361 10	breather hose oil cooler - bracket front		1							
17	901 107 046 00	oil cooler right		1							
18	901 107 085 00	cover plate complete right		1							
-	901 107 191 00	gasket for cover plate		1							
-	901 107 192 00	gasket for cover plate		1							
-	900 190 013 02	tubular rivet 4 X 8 X 8		10							
19	900 151 008 02	washer B 8,4		2							
20	900 142 002 01	lock ring B 8		2							
21	900 067 057 02	pan-head screw M 8 X 20		2							
22	N 013 960 5	oval-head sheetmetal screw B 3,9 X 9,5		1							
23	901 107 717 00	sealing ring		2							
		- - - E N D - - -									

Model	Year	MG	SG	Illustration	Restrictions	Update	11:49	21.08.2006	PORSCHE	PET	PORSCHE
911	73	1	04	104-15		203					



Pos	Part Number	Name	Remarks	Qty	Model
		engine lubrication	72		911 T-E/E/S 911 T-V
1	901 107 002 06	oil pump		1	
2	999 704 173 50	sealing ring		2	
3	999 704 172 50	sealing ring		4	
4	999 039 001 00	tab washer		3	
5	900 076 025 02	hexagon nut M 8		*	
		oil cooler bracket		4 3	
		oil pump		3	
6	901 107 121 00	connecting shaft		1	
7	916 107 754 00	oil filter		1	
8	916 107 028 01	bracket with stud union and screw plug		1	911 T-E/E 911 T-V
9	930 107 076 00	piston		1	
10	900 280 001 00	compression spring 2 X 12,5 X 71		1	
11	900 123 075 30	sealing ring A 32 X 38 AL		1	
12	916 107 276 00	screw plug		1	
13	916 101 175 00	flange		1	911 T-E/E 911 T-V
14	999 701 053 50	sealing ring 39,2 X 3 - SIMRIT O-RING -		1	
15	N 012 226 5	spring washer B 6		2	
16	900 076 010 02	hexagon nut M 6		2	
17	N 012 241 8	spring washer B 8 X 15 bracket oil cooler		* 3 4	

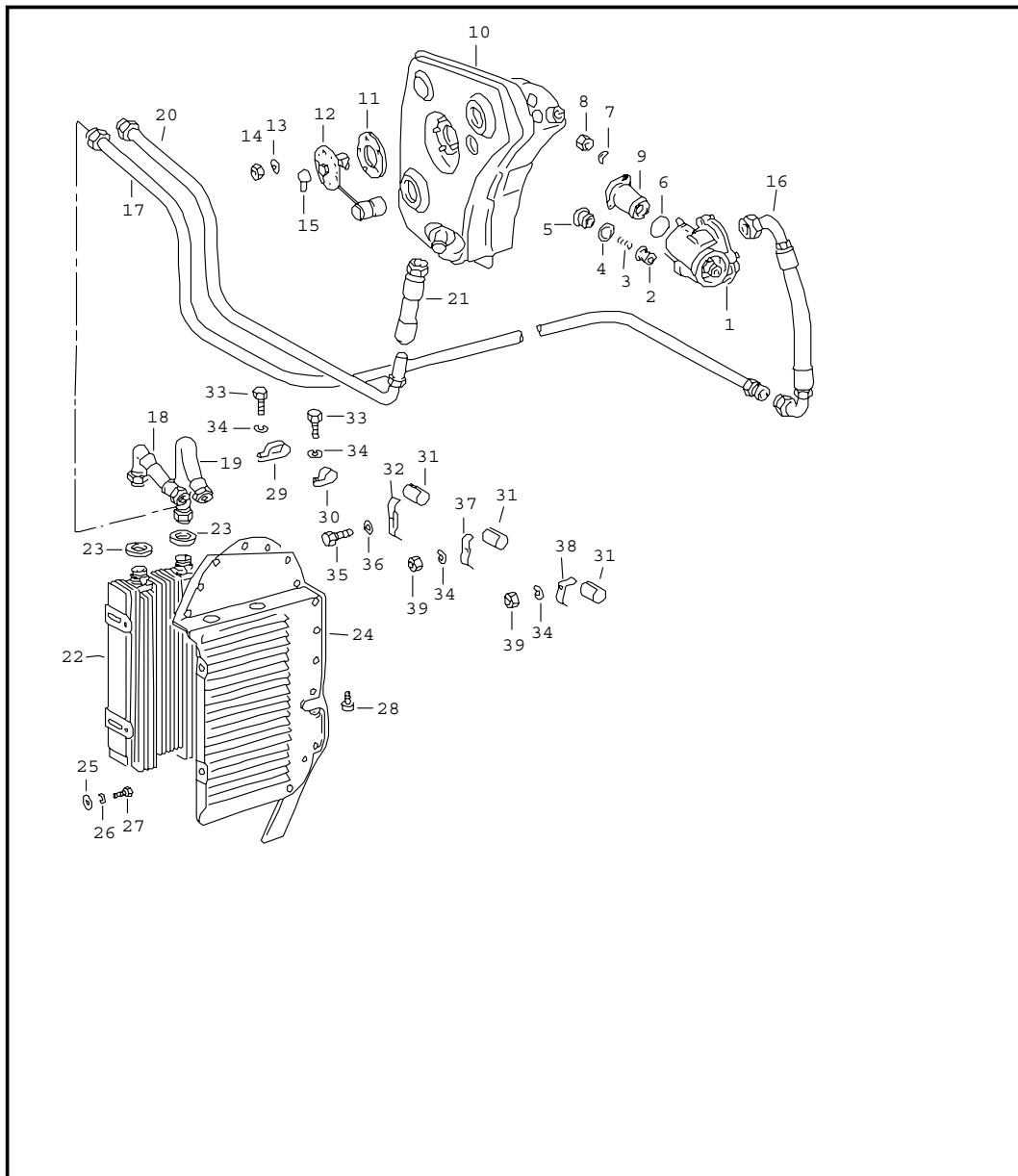
Model	Year	MG	SG	Illustration	Restrictions	Update	11:49	21.08.2006	PORSCHE	PET	PORSCHE
911	73	1	04	104-15		203					

Pos	Part Number	Name	Remarks	Qty	Model	Pos	Part Number	Name	Remarks	Qty	Model
18	916 107 191 00	gasket for bracket		1	911 T-E/E 911 T-V	33	911 207 318 01	suction hose not for sportomatic		1	
19	911 207 010 00	oil tank not for sportomatic		1		34	911 107 041 00	oil cooler		1	
20	911 207 307 00	retainer for oil tank		3		35	999 512 091 00	hose clamp S 40/15 SKZ		4	
21	911 207 041 00	oil level dipstick		1		36	901 107 394 00	connecting hose inner engine 645 MM		1	
22	911 107 176 01	screw plug		1		37	901 107 394 03	connecting hose outer engine 400 MM		1	
23	900 123 011 20	sealing ring A 22 X 27 CU		1		38	901 107 394 04	connecting hose inner and outer air cleaner 470 MM		2	
24	PCG 207 271 00	fuel tank cap blue B 40 G with rubber seal		1		-	911 501 539 00	angled pipe		2	
25	911 207 901 01	rubber seal		1		39	999 512 356 02	hose clamp 22-36 X 9		8	
26	911 207 070 00	restraining strap for oil tank		1		40	911 207 315 01	hose line bracket - oil tank		1	
27	911 207 274 00	screw M 8 X 60 for restraining strap		1		41	911 107 720 11	breather hose engine - bracket		1	
28	900 197 033 00	tensioning sleeve 5 X 55		2		42	999 513 010 40	cable strap 250 MM		1	
29	911 207 275 00	protective edging 50 MM		2		43	901 107 347 01	oil hose crankcase - camshaft housing	/L	1	
30	911 207 387 00	sealing ring for oil tank		1		44	901 107 348 00	oil hose crankcase - camshaft housing	/R	1	
31	911 207 301 01	connecting hose oil tank - intake manifold not for sportomatic		1		45	901 110 041 01	hose line for injection pump		1	911 T-E/E/S
32	911 207 317 00	intake manifold not for sportomatic		1							

Model	Year	MG	SG	Illustration	Restrictions	Update	11:49	21.08.2006	PORSCHE	PET	PORSCHE
911	73	1	04	104-15		203					

Pos	Part Number	Name	Remarks	Qty	Model	Pos	Part Number	Name	Remarks	Qty	Model
-	999 180 029 50	hose return injection pump C 11 X 17,5		*							
46	-	60 MM		1	911 T-E/E/S						
47	999 512 134 02	hose clamp 13-19 X 9		2	911 T-E/E/S						
48	901 107 636 00	cover for oil tank		1	911 T-E/E 911 T-V						
49	911 207 685 00	catch		1	911 T-E/E 911 T-V						
50	900 126 006 02	union nut 20 M 30 X 1,5		1	911 T-E/E 911 T-V						
		- - - E N D - - -									

Model	Year	MG	SG	Illustration	Restrictions	Update	11:49	21.08.2006	PORSCHE	PET	PORSCHE
911	73	1	04	104-20		203					

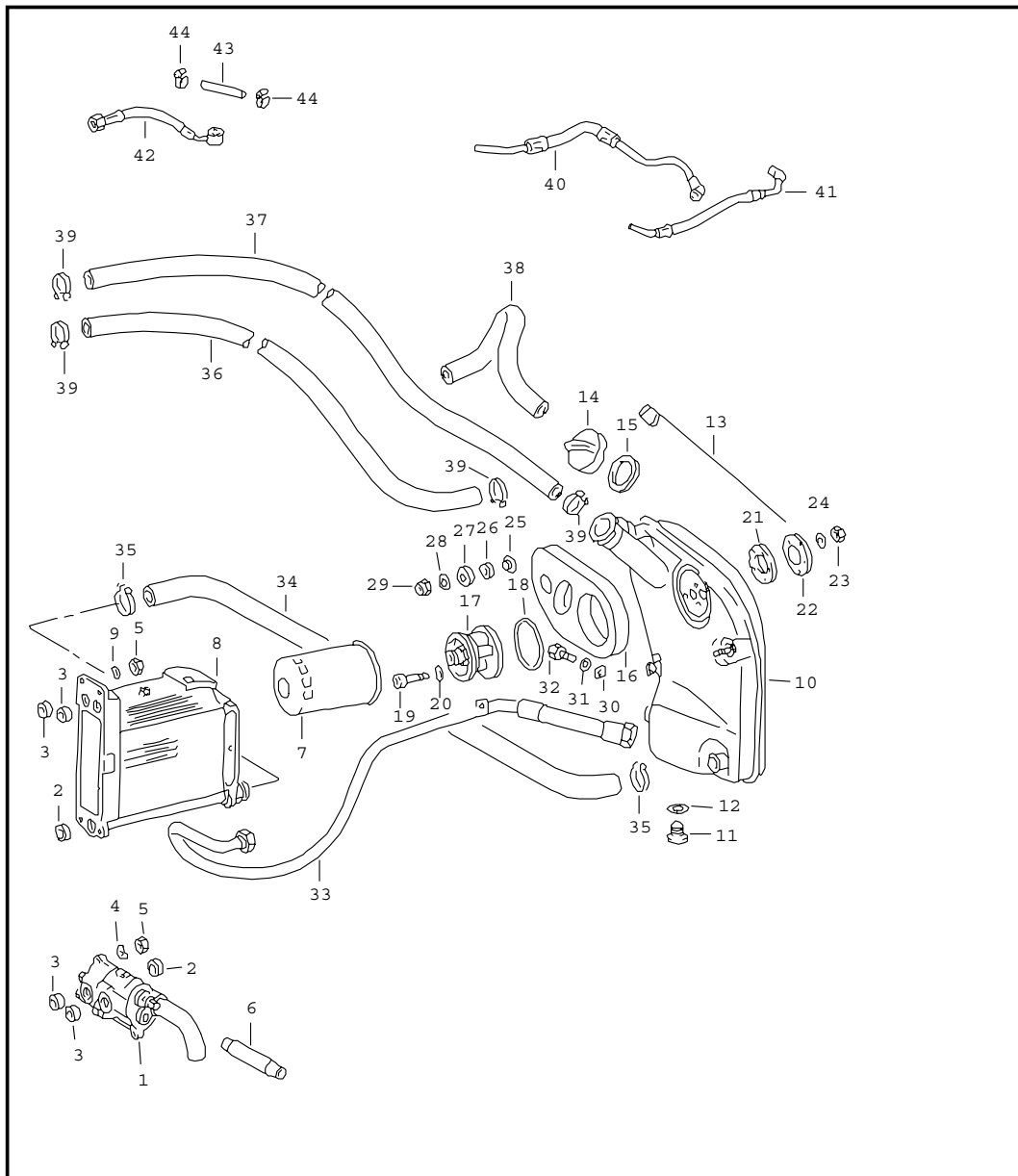


Pos	Part Number	Name	Remarks	Qty	Model
		engine lubrication auxiliary units for TYP 911/53/63	72		911 T-E/E/S 911 T-V
1	916 107 028 00	bracket		1	911 S
2	930 107 076 00	piston		1	911 S
3	900 280 001 00	compression spring 2 X 12,5 X 71		1	911 S
4	900 123 075 30	sealing ring A 32 X 38 AL		1	911 S
5	916 107 276 00	screw plug		1	911 S
6	999 701 053 50	sealing ring 39,2 X 3 - SIMRIT O-RING -		1	911 S
7	N 012 226 5	spring washer B 6		2	911 S
8	900 076 010 02	hexagon nut M 6		1	911 S
9	930 107 765 00	oil thermostat		1	911 S
10	911 207 010 00	oil tank not for sportomatic		1	911 S
(10)	911 207 021 00	oil tank	SPM	1	911 S
11	914 201 891 00	gasket (911/53,61,62,63,67)		1	911 S
12	901 641 541 00	oil-level sender		1	911 S
13	900 025 003 30	washer 5,3 125 AL		5	
14	900 076 027 02	nut M 5		5	
15	999 659 011 50	protective cap		1	911 S
16	911 207 028 02	hose line bracket - intake tube		1	911 S
17	911 207 025 01	intake tube oil cooler front		1	911 S

Model	Year	MG	SG	Illustration	Restrictions	Update	11:49	21.08.2006	PORSCHE	PET	PORSCHE
911	73	1	04	104-20		203					

Pos	Part Number	Name	Remarks	Qty	Model	Pos	Part Number	Name	Remarks	Qty	Model
18	911 207 027 03	hose line supply		1	911 S	32	911 207 303 00	support for oil tube		3	911 S
19	911 207 029 02	hose line return		1	911 S	33	900 378 030 09	hexagon-head bolt M 6 X 20		4	911 S
20	911 207 026 01	return pipe		1	911 S	34	900 027 014 01	lock ring B 6		1	911 T-E/E 911 T-V
21	911 207 030 01	hose line return line - oil tank		1	911 S	(34)	900 027 014 01	lock ring B 6		5	911 S
22	911 107 046 00	oil cooler	/R	1	911 S	35	900 187 010 02	tapping screw BZ 6,3 X 19		3	911 S
23	901 107 717 00	sealing ring		2		36	N 011 524 7	washer B 6,4		3	911 S
24	901 107 085 00	cover plate complete	/R	1	911 S	37	911 207 304 00	clamp		1	911 S
-	901 107 191 00	gasket upper part		1	911 S	38	911 207 309 00	support for intake manifold		1	911 T-E/E 911 T-V
-	901 107 192 00	gasket side section		1	911 S	39	900 076 010 02	hexagon nut M 6		1	
-	900 190 013 02	tubular rivet B 4 X 8 X 8		15	911 S			- - - E N D - - -			
25	900 151 008 02	washer B 8,4		2	911 S						
26	900 142 002 01	lock ring B 8		2	911 S						
27	900 067 057 02	pan-head screw M 8 X 20		2	911 S						
28	N 013 960 5	oval-head sheetmetal screw B 3,9 X 9,5		1	911 S						
29	999 511 084 02	clip RSGU 1100 20 X 25/15		1	911 S						
30	999 511 080 02	clip RSGU 1100 22/15		3	911 S						
31	964 207 302 00	hose piece for mount oil tube		1	911 T-E/E 911 T-V						
(31)	964 207 302 00	hose piece for mount oil tube		10	911 S						

Model	Year	MG	SG	Illustration	Restrictions	Update	11:49	21.08.2006	PORSCHE	PET	PORSCHE
911	73	1	04	104-25		203					

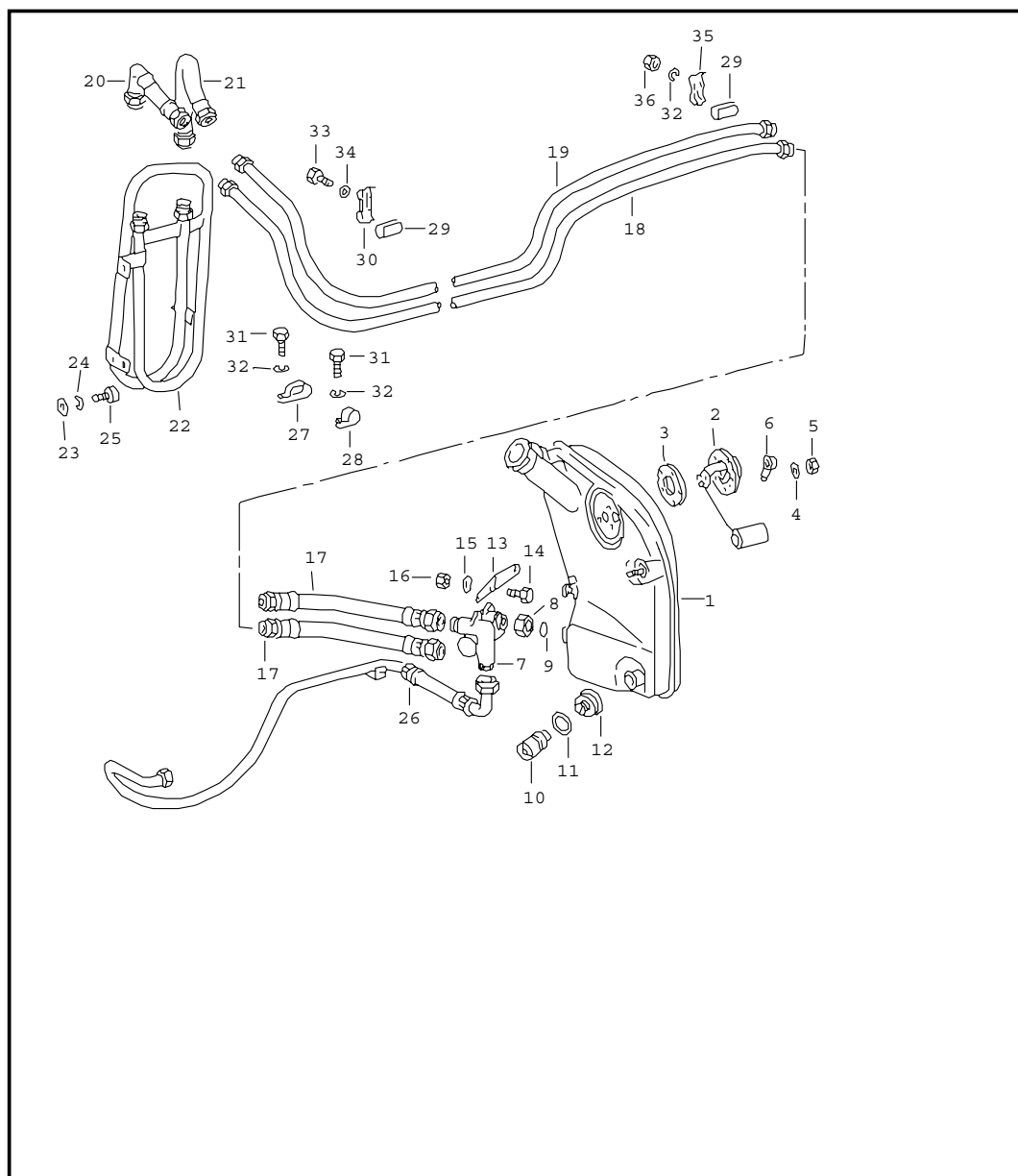


Pos	Part Number	Name	Remarks	Qty	Model
		engine lubrication	73-		
1	901 107 002 06	oil pump		1	
2	999 704 173 50	sealing ring		2	
3	999 704 172 50	sealing ring		4	
4	999 039 001 00	tab washer		3	
5	900 076 025 02	hexagon nut M 8		*	
		oil cooler		4	
		oil pump		3	
6	901 107 121 00	connecting shaft		1	
7	916 107 754 00	oil filter		1	
8	911 107 041 00	oil cooler		1	
9	N 012 241 8	spring washer B 8 X 15		4	
10	911 107 006 11	oil tank not for sportomatic		1	
11	911 107 176 01	screw plug		1	
12	900 123 011 20	sealing ring A 22 X 27 CU		1	
13	911 107 731 01	oil level dipstick		1	
14	911 107 072 00	fuel tank cap		1	
15	901 201 272 00	sealing ring		1	
16	911 107 192 03	gasket oil tank - body		1	
17	911 107 671 00	bracket for oil filter		1	
18	999 701 100 50	o-ring R 72-4		1	
19	900 067 067 02	pan-head screw M 6 X 40		3	
20	900 028 003 01	spring washer A 6		3	

Model	Year	MG	SG	Illustration	Restrictions	Update	11:50	21.08.2006	PORSCHE	PET	PORSCHE
911	73	1	04	104-25		203					

Pos	Part Number	Name	Remarks	Qty	Model	Pos	Part Number	Name	Remarks	Qty	Model
21	914 201 891 00	gasket for oil tank		1		38	911 107 393 00	connecting hose oil tank - air cleaner		1	911 T-K
22	901 107 636 00	cover for oil tank not for sportomatic		1	911 T-E/E 911 T-V 911 T-K	39	999 512 356 02	hose clamp 22 X 36 X 9		4	
23	900 076 027 02	nut M 5		5		40	901 107 347 01	oil hose	/L	1	
24	900 025 003 30	washer 5,3		5		41	901 107 348 00	oil hose	/R	1	
25	901 107 692 00	washer		2		42	901 110 041 01	hose line intake injection pump		1	911 T-E/E/S CARRERA 2.7
26	901 107 693 01	washer		2		43	999 180 029 50	hose return injection pump 11 X 17,5 NX 60		1	911 T-E/E/S CARRERA 2.7
27	901 107 661 00	washer		2		44	999 512 134 02	hose clamp 13-19 X 9		2	911 T-E/E/S CARRERA 2.7
28	900 151 008 02	washer B 8,4		2				- - - E N D - - -			
29	999 090 004 02	hexagon nut M 8		2							
30	901 501 909 20	intermediate layer		1							
31	N 011 524 7	washer 6,4		1							
32	900 075 057 02	hexagon-head bolt		1							
-	901 501 930 22	support		1							
33	911 107 722 00	oil pipe engine - oil tank		1	911 T-E/E 911 T-V 911 T-K						
34	911 107 233 00	suction hose		1							
35	999 512 091 00	hose clamp S 40/15 SK-1 4571		2							
36	901 107 394 00	connecting hose engine - oil tank 645 MM		1							
37	930 107 399 00	connecting hose oil tank - air cleaner 560 MM		1	911 T-V						

Model	Year	MG	SG	Illustration	Restrictions	Update	11:50	21.08.2006	PORSCHE	PET	PORSCHE
911	73	1	04	104-30		203					

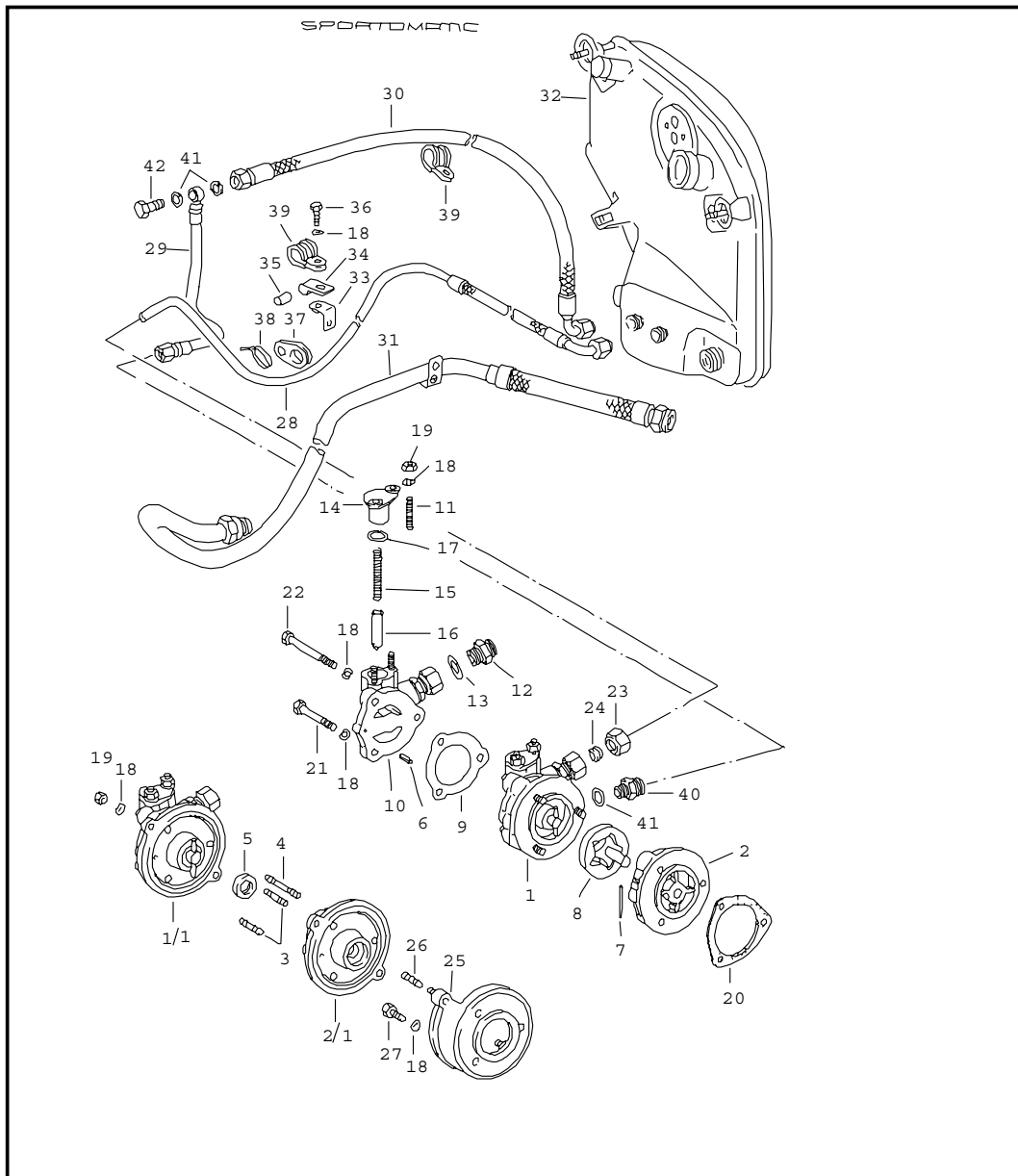


Pos	Part Number	Name	Remarks	Qty	Model
		engine lubrication auxiliary units for TYP 911/53/63/83/88	73-		
1	911 107 006 11	oil tank not for sportomatic		1	911 S
(1)	911 107 006 02	oil tank	SPM	1	911 S
2	901 641 541 00	oil-level sender		1	911 S CARRERA 2.7
3	914 201 891 00	gasket		1	
4	900 025 003 30	washer 5,3 125 AL		5	
5	900 076 027 02	nut M 5		5	
6	999 659 011 50	protective cap		1	911 S CARRERA 2.7
7	911 107 015 00	regulator housing		1	911 S CARRERA 2.7
8	911 107 157 00	union nut		1	911 S CARRERA 2.7
9	911 107 156 01	sealing ring		1	911 S CARRERA 2.7
10	911 107 152 00	regulator insert		1	911 S CARRERA 2.7
11	900 123 136 30	sealing ring A 42 X 49 AL		1	911 S CARRERA 2.7
12	911 107 155 00	screw plug		1	911 S CARRERA 2.7
13	911 107 159 00	retaining bracket		1	911 S CARRERA 2.7
14	900 075 057 02	hexagon-head bolt M 6 X 16		2	911 S CARRERA 2.7
15	900 028 003 01	spring washer A 6		2	911 S CARRERA 2.7
16	900 076 010 02	hexagon nut M 6		2	911 S CARRERA 2.7

Model	Year	MG	SG	Illustration	Restrictions	Update	11:50	21.08.2006	PORSCHE	PET	PORSCHE
911	73	1	04	104-30		203					

Pos	Part Number	Name	Remarks	Qty	Model	Pos	Part Number	Name	Remarks	Qty	Model
17	911 107 361 00	hose line regulator housing intake and return		2	911 S CARRERA 2.7	32	900 027 014 01	lock ring B 6		3	911 S CARRERA 2.7
18	911 207 043 01	intake tube		1	911 S CARRERA 2.7	33	900 187 010 02	tapping screw BZ 6,3 X 19		3	911 S CARRERA 2.7
19	911 207 044 01	return pipe		1	911 S CARRERA 2.7	34	N 011 524 7	washer B 6,4		3	911 S CARRERA 2.7
20	911 207 027 03	hose line intake - radiator coil		1	911 S CARRERA 2.7	35	911 207 237 00	support for oil tube		1	911 S CARRERA 2.7
21	911 207 029 02	hose line return - radiator coil		1	911 S CARRERA 2.7	36	900 076 010 02	hexagon nut M 6		1	911 S CARRERA 2.7
22	911 107 047 00	radiator coil		1	911 S CARRERA 2.7			- - - E N D - - -			
23	900 151 008 02	washer B 8,4		2	911 S CARRERA 2.7						
24	900 142 002 01	lock ring B 8		2	911 S CARRERA 2.7						
25	900 067 057 02	pan-head screw M 8 X 20		2	911 S CARRERA 2.7						
26	911 107 724 10	oil pipe engine - regulator housing oil tank		1	911 S CARRERA 2.7						
27	999 511 084 02	clip RSGU 1100 20 X 25/15		1	911 S CARRERA 2.7						
28	999 511 080 02	clip RSGU 1100 22/15		3	911 S CARRERA 2.7						
29	964 207 302 00	hose piece for mount oil tube		8	911 S CARRERA 2.7						
30	911 207 303 00	support for oil tube		3	911 S CARRERA 2.7						
31	900 378 030 09	hexagon-head bolt M 6 X 20		3	911 S CARRERA 2.7						

Model	Year	MG	SG	Illustration	Restrictions	Update	11:50	21.08.2006	PORSCHE	PET	PORSCHE
911	73	1	04	104-35		203					

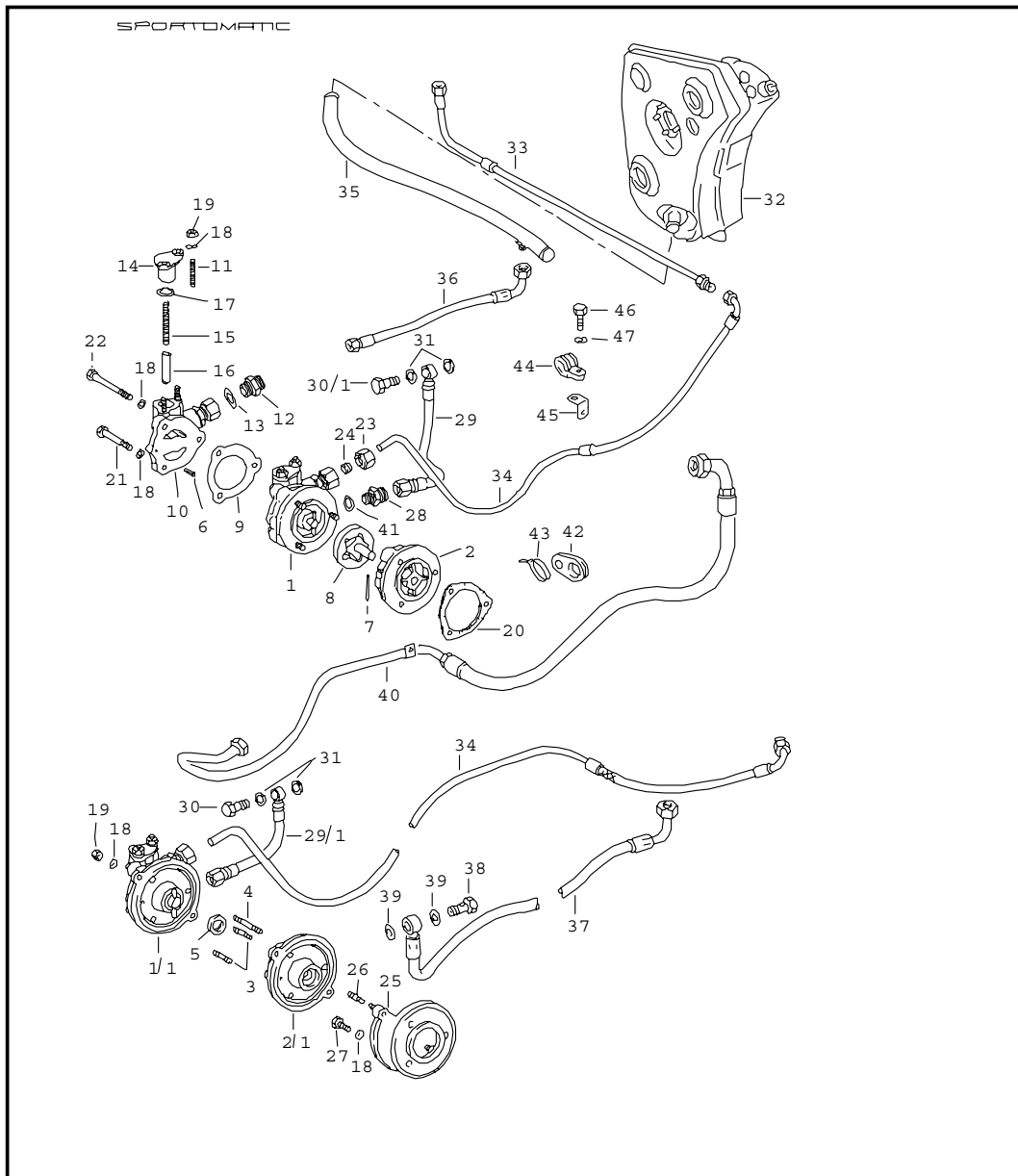


Pos	Part Number	Name	Remarks	Qty	Model
		oil supply for converter sportomatic	-71		911 T/E
1	905 107 006 04	oil pump for converter		1	911 T
1/1	905 107 008 00	oil pump for converter		1	911 E
2	905 107 101 03	rotor housing		1	911 T
2/1	905 107 102 01	rotor housing		1	911 E
3	900 061 085 01	stud BM 6 X 20		2	911 E
4	900 061 159 01	stud BM 6 X 38		1	911 E
5	999 113 099 40	radial sealing ring BA SI 12,7 X 22 X 6		1	911 E
6	900 197 017 00	tensioning sleeve 4 X 14		1	
7	900 302 001 00	straight pin 4 M 6 X 32		1	
8	905 107 901 01	rotor set		1	
9	905 107 191 02	gasket		1	
10	905 107 015 04	cover complete		1	
11	999 062 002 02	stud BM 6 X 15		2	
12	999 099 011 02	union AM 10 -11		1	
13	900 123 008 30	sealing ring A 14 X 20		1	
14	905 107 141 03	flat connector		1	
15	905 107 142 01	compression spring		1	
16	905 107 143 01	slide		1	
17	999 701 135 50	o-ring		1	
18	900 028 008 01	spring washer B 6		X	

Model	Year	MG	SG	Illustration	Restrictions	Update	11:50	21.08.2006	PORSCHE	PET	PORSCHE
911	73	1	04	104-35		203					

Pos	Part Number	Name	Remarks	Qty	Model	Pos	Part Number	Name	Remarks	Qty	Model
19	900 076 010 02	hexagon nut M 6		X		36	N 010 215 13	hexagon-head bolt M 6 X 15		1	
20	901 105 197 00	gasket		1	911 T	37	905 107 173 00	spacer rubber		1	
21	900 074 111 02	hexagon-head bolt M 6 X 50		2	911 T	38	999 513 002 40	hose clamp		1	
22	900 074 022 02	hexagon-head bolt M 6 X 65		1	911 T	39	999 511 076 02	clamp		2	
23	999 104 007 02	union nut A-10-11		1		40	999 136 007 02	union		1	
24	999 103 001 02	cutting ring B-10-11		1		41	900 123 043 30	sealing ring A 12 X 15,5 AL		3	
25	901 107 011 00	intermediate flange		1	911 E	42	999 134 012 02	banjo bolt		1	
26	900 061 055 01	stud BM 6 X 12		2	911 E			- - - E N D - - -			
27	900 075 014 02	hexagon-head bolt M 6 X 18		3	911 E						
28	905 107 037 00	oil pipe complete oil tank - oil pump		1							
29	905 107 038 02	pressure line complete oil pump - switch housing		1							
30	905 107 019 00	oil hose complete switch housing - oil tank		1							
31	901 107 720 01	oil pipe complete engine - oil tank		1							
32	911 107 001 56	oil tank		1							
33	905 107 021 00	retaining bracket		1							
34	999 511 007 02	clip		1							
35	901 108 591 00	boot		1							

Model	Year	MG	SG	Illustration	Restrictions	Update	11:50	21.08.2006	PORSCHE	PET	PORSCHE
911	73	1	04	104-40		203					

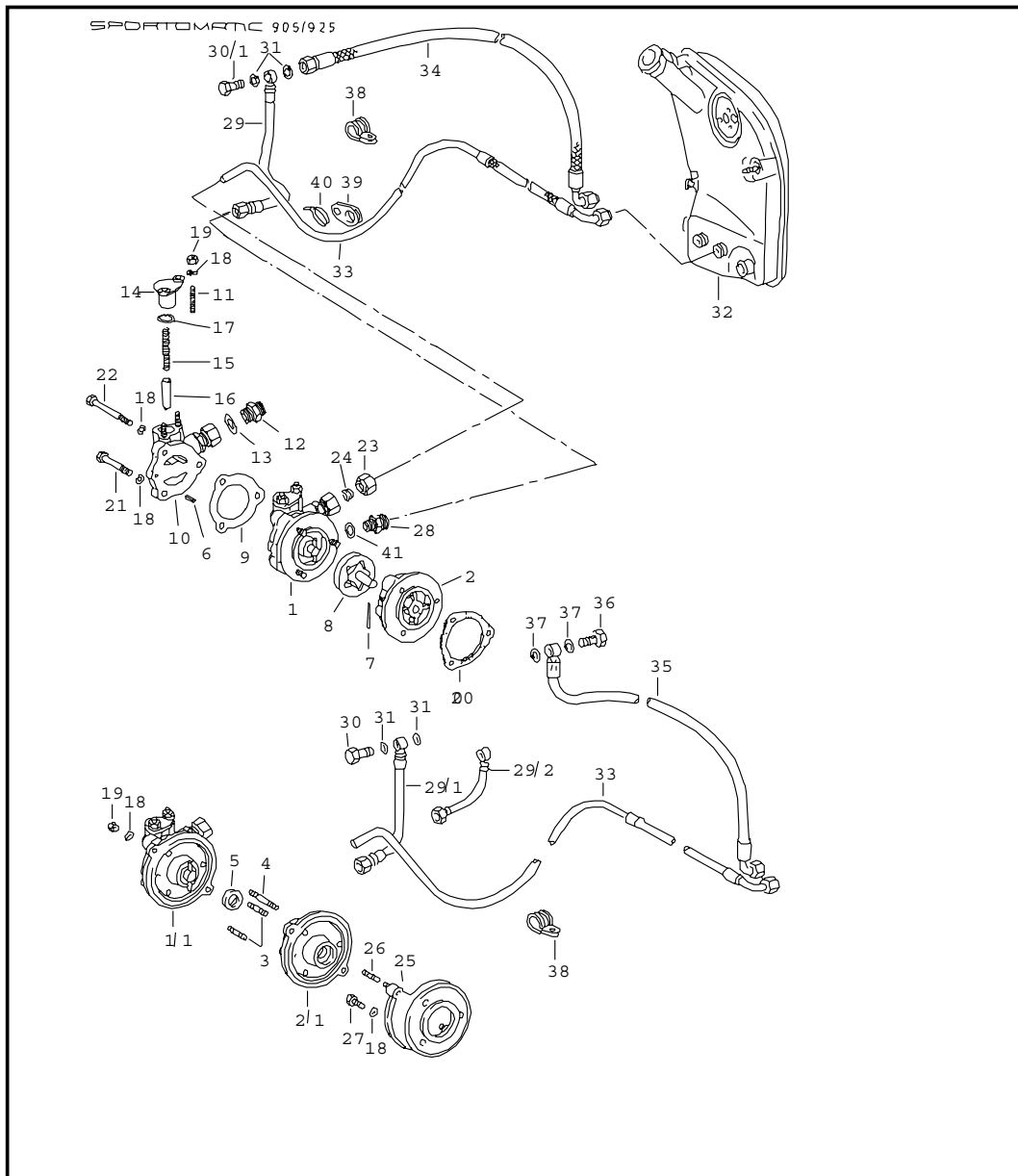


Pos	Part Number	Name	Remarks	Qty	Model
		oil supply for converter sportomatic	72		911 T-E/E/S 911 T-V
1	905 107 006 04	oil pump for converter		1	911 T-V
1/1	905 107 008 00	oil pump for converter		1	911 T-E/E/S
2	905 107 101 03	rotor housing		1	911 T-V
2/1	905 107 102 01	rotor housing		1	911 T-E/E/S
3	900 061 085 01	stud BM 6 X 20		2	911 T-E/E/S
4	900 061 159 01	stud BM 6 X 38		1	911 T-E/E/S
5	999 113 099 40	radial sealing ring 12,7 X 22 X 6		1	911 T-E/E/S
6	900 197 017 00	tensioning sleeve 4 X 14		1	
7	900 302 001 00	straight pin 4 M 6 X 32		1	
8	905 107 901 01	rotor set		1	
9	905 107 191 02	gasket		1	
10	905 107 015 04	cover		1	
11	999 062 002 02	stud BM 6 X 15		2	
12	999 099 011 02	union AM 10 -11		1	
13	900 123 008 30	gasket A 14 X 20		1	
14	905 107 141 03	flat connector		1	
15	905 107 142 01	compression spring		1	
16	905 107 143 01	slide		1	
17	999 701 135 50	o-ring B 15 X 2,5		1	
18	N 012 226 5	spring washer B 6		X	

Model	Year	MG	SG	Illustration	Restrictions	Update	11:50	21.08.2006	PORSCHE	PET	PORSCHE
911	73	1	04	104-40		203					

Pos	Part Number	Name	Remarks	Qty	Model	Pos	Part Number	Name	Remarks	Qty	Model
19	900 076 010 02	hexagon nut M 6		X		34	905 107 037 00	oil pipe oil tank - pump		1	
20	901 105 197 00	gasket		1	911 T-V						
21	900 074 111 02	hexagon-head bolt M 6 X 50		2	911 T-V	35	911 207 023 00	intake manifold		1	
22	900 074 022 02	hexagon-head bolt M 6 X 65		1	911 T-V	36	905 301 117 00	return line for intake manifold		1	911 T-V
23	999 104 007 02	union nut A-10-11		1		37	925 301 117 01	return line for intake manifold		1	911 T-E/E/S
24	999 103 001 02	cutting ring B-10-11		1		38	900 134 002 02	banjo bolt A 10		1	911 T-E/E/S
25	901 107 011 00	intermediate flange		1	911 T-E/E/S	39	900 123 019 30	sealing ring A 16 X 22 AL		2	911 T-E/E/S
26	900 061 055 01	stud BM 6 X 12		2	911 T-E/E/S	40	911 107 720 11	breather hose engine - bracket not for sportomatic		1	
27	900 075 014 02	hexagon-head bolt M 6 X 18		3	911 T-E/E/S	41	900 123 043 30	sealing ring A 12 X 15,5 AL		1	
28	999 136 007 02	union pump		1		42	905 107 173 00	spacer rubber		2	
29	905 107 038 02	pressure pipe pump - converter housing		1	911 T-V	43	999 513 002 40	hose clamp		2	
29/1	925 125 038 05	pressure pipe pump - converter housing		1	911 T-E/E/S	44	N 020 607 1	clamp		X	
30	900 134 006 02	banjo bolt A 6		1	911 T-E/E/S	45	905 107 021 00	retaining bracket		1	911 T-E/E/S
30/1	999 134 012 02	banjo bolt M 12 X 1		1	911 T-V	46	N 010 215 13	hexagon-head bolt M 6 X 15		1	911 T-E/E/S
31	900 123 006 30	sealing ring A 12 X 18 AL		2		47	900 028 008 01	spring washer B 6		1	911 T-E/E/S
32	911 207 021 00	oil tank		1				- - - E N D - - -			
33	911 207 031 00	oil pipe oil tank - pump		1							
-	911 356 203 00	boot		3							

Model	Year	MG	SG	Illustration	Restrictions	Update	11:50	21.08.2006	PORSCHE	PET	PORSCHE
911	73	1	04	104-45		203					



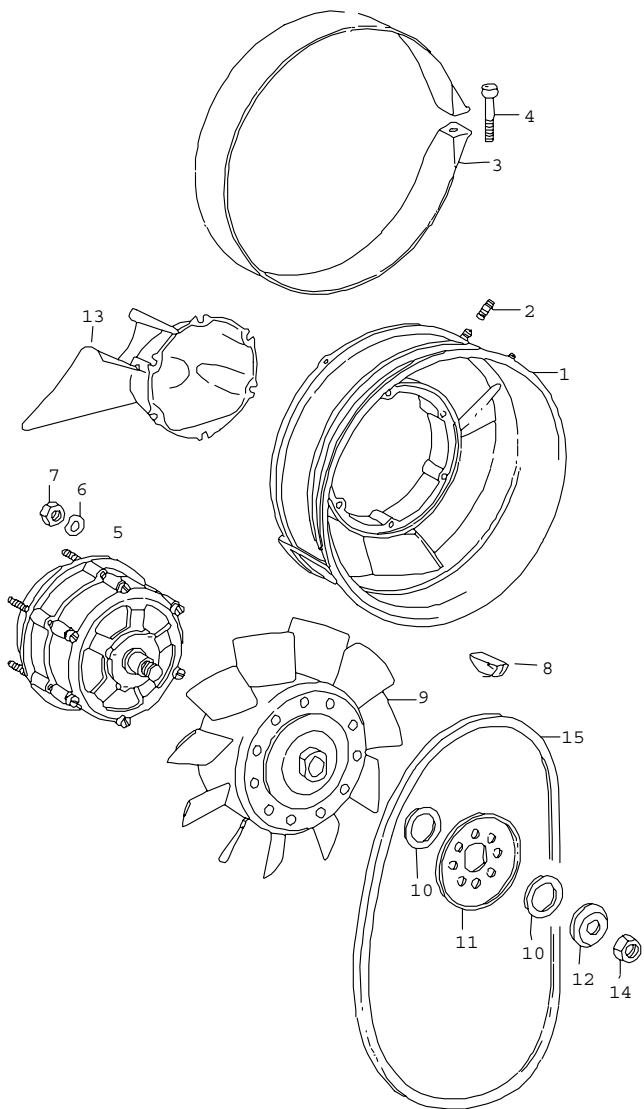
Pos	Part Number	Name	Remarks	Qty	Model
			73-		
1	905 107 006 04	oil pump for converter sportomatic		1	911 T-V 911 T-K
1/1	905 107 008 00	oil pump for converter		1	911 T-E/E/S CARRERA 2.7
2	905 107 101 03	rotor housing		1	911 T-V 911 T-K
2/1	905 107 102 01	rotor housing		1	911 T-E/E/S CARRERA 2.7
3	900 061 085 01	stud BM 6 X 20		2	911 T-E/E/S CARRERA 2.7
4	900 061 159 01	stud BM 6 X 38		1	911 T-E/E/S CARRERA 2.7
5	999 113 099 40	radial sealing ring		1	911 T-E/E/S CARRERA 2.7
6	900 197 017 00	tensioning sleeve 4 X 14		1	
7	900 302 001 00	straight pin 4 M 6 X 32		1	
8	905 107 901 01	rotor set		1	
9	905 107 191 02	gasket		1	
10	905 107 015 04	cover		1	
11	999 062 002 02	stud BM 6 X 15		2	
12	999 099 011 02	union AM 10 -11		1	
13	900 123 008 30	gasket A 14 X 20		1	
14	905 107 141 03	flat connector		1	
15	905 107 142 01	compression spring		1	
16	905 107 143 01	slide		1	
17	999 701 135 50	o-ring B 15 X 2,5		1	

Model	Year	MG	SG	Illustration	Restrictions	Update	11:50	21.08.2006	PORSCHE	PET	PORSCHE
911	73	1	04	104-45		203					

Pos	Part Number	Name	Remarks	Qty	Model	Pos	Part Number	Name	Remarks	Qty	Model
18	N 012 226 5	spring washer B 6		X		33	905 107 037 00	oil pipe pump for converter for oil tank		1	
19	900 076 010 02	hexagon nut M 6		X							
20	901 105 197 00	gasket		1	911 T-V 911 T-K	34	905 301 117 01	return line		1	911 T-V
21	900 074 111 02	hexagon-head bolt M 6 X 50		2	911 T-V	35	925 301 117 02	return line		1	911 T-E/E/S CARRERA 2.7 911 T-K
22	900 074 022 02	hexagon-head bolt M 6 X 65		1	911 T-V 911 T-K	36	900 134 002 02	banjo bolt A 10		1	911 T-E/E/S CARRERA 2.7 911 T-K
23	999 104 007 02	union nut A-10-11		1							
24	999 103 001 02	cutting ring B-10-11		1		37	900 123 019 30	sealing ring A 16 X 22 AL		2	911 T-E/E/S CARRERA 2.7 911 T-K
25	901 107 011 00	intermediate flange		1	911 T-E/E/S CARRERA 2.7	38	N 020 607 1	clamp RSGU 1100/20/20		X	
26	900 061 055 01	stud BM 6 X 12		2	911 T-E/E/S CARRERA 2.7	39	905 107 173 00	spacer rubber		2	
27	900 075 014 02	hexagon-head bolt M 6 X 18		3	911 T-E/E/S CARRERA 2.7	40	999 513 002 40	hose clamp		2	
28	999 136 007 02	union pump		1		41	900 123 043 30	sealing ring A 12 X 15,5 AL		1	
29	905 107 038 02	pressure pipe pump - converter housing		1	911 T-V			- - - E N D - - -			
29/1	925 125 038 05	pressure pipe pump - converter housing		1	911 T-E/E/S CARRERA 2.7						
29/2	925 125 038 06	pressure pipe pump - converter housing		1	911 T-K						
30	900 134 006 02	banjo bolt A 6		1	911 T-E/E/S CARRERA 2.7						
30/1	999 134 012 02	banjo bolt		1	911 T-V 911 T-K						
31	900 123 006 30	sealing ring A 12 X 18 AL		2							
32	911 107 006 02	oil tank		1							

Model	Year	MG	SG	Illustration	Restrictions	Update	11:51	21.08.2006	PORSCHE	PET	PORSCHE
911	73	1	05	105-00		203					

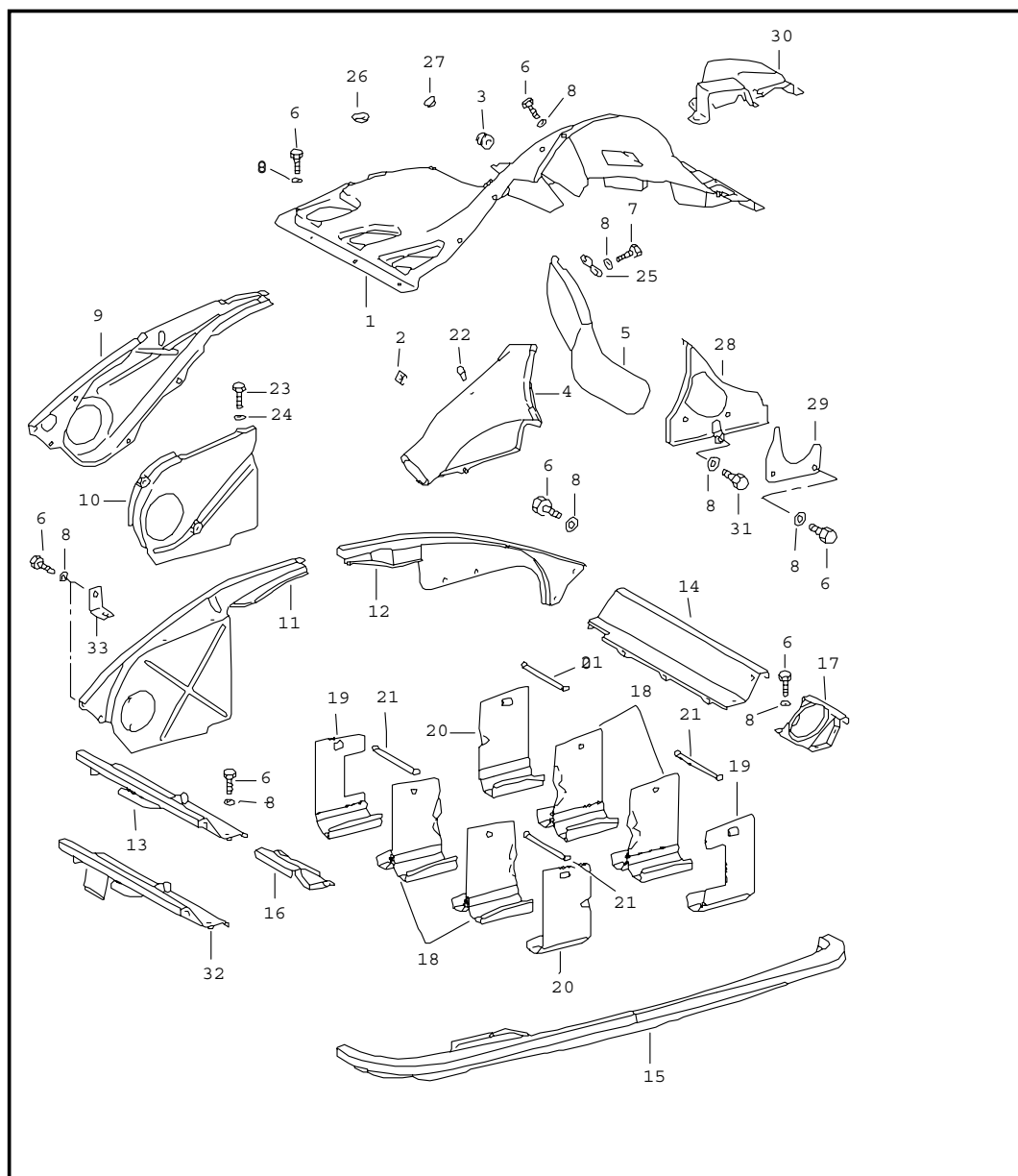
Pos	Part Number	Name	Remarks	Qty	Model
1	901 106 011 00	air cooling fan housing complete		1	
2	900 061 057 01	stud BM 8 X 15	-70	2	
(2)	900 061 057 02	stud BM 8 X 15	71-	2	
3	901 106 251 03	clip	-70	1	
(3)	901 106 251 02	clip	71	1	
(3)	964 106 251 20	clip	72-	1	
4	900 075 126 02	hexagon-head bolt M 8 X 40	-70	2	
(4)	900 074 134 02	hexagon-head bolt M 8 X 45	71	2	
(4)	N 014 715 3	pan-head screw M 8 X 45	72-	2	
5	-	generator see group 9/01/00		1	
6	900 028 008 01	spring washer B 6		1	
7	900 076 010 02	hexagon nut M 6		6	
8	900 118 006 00	woodruff key 4 X 6,5		1	
9	901 106 010 03	impeller complete		1	
10	901 105 561 00	shim		X	
11	901 603 421 01	pulley half		1	
12	901 603 427 01	tensioning cap for generator - bosch -		1	
(12)	901 603 428 00	tensioning cap for generator - MOTOROLA -		1	
13	911 106 033 00	hub extension complete		1	



Model	Year	MG	SG	Illustration	Restrictions	Update	11:51	21.08.2006	PORSCHE	PET	PORSCHE
911	73	1	05	105-00		203					

Pos	Part Number	Name	Remarks	Qty	Model	Pos	Part Number	Name	Remarks	Qty	Model
14	900 078 005 01	hexagon nut M 14 X 1,5 - BOSCH -		1							
(14)	901 603 905 00	hexagon nut M 16 X 1 - MOTOROLA -		1							
15	999 192 176 50	narrow v-belt		1							
		- - - E N D - - -									

Model	Year	MG	SG	Illustration	Restrictions	Update	11:51	21.08.2006	PORSCHE	PET	PORSCHE
911	73	1	05	105-05		203					



Pos	Part Number	Name	Remarks	Qty	Model
1	911 106 901 02	air duct complete upper green	-71	1	911 E
(1)	911 106 901 02	air duct complete upper green	72-	1	911 E
(1)	911 106 032 01	air duct complete upper red not for sportomatic	-71	1	911 S
(1)	911 106 901 03	air duct complete upper red	72-	1	911 S CARRERA 2.7
(1)	911 106 901 00	air duct complete upper black	-71	1	911 T
(1)	911 106 901 00	air duct complete upper black	72-	1	911 T-V
(1)	911 106 901 01	air duct complete upper yellow	72-	1	911 T-E
(1)	911 106 901 04	air duct complete upper black	72-	1	911 T-K
2	999 507 003 02	speed nut B 6,3		6	
3	999 702 007 50	rubber sleeve		1	
4	901 106 321 02	hot air socket	/L/H	1	
-	999 613 017 40	covering for tie-wrap		1	
(4)	911 106 321 00	hot air socket	/L/H	1	

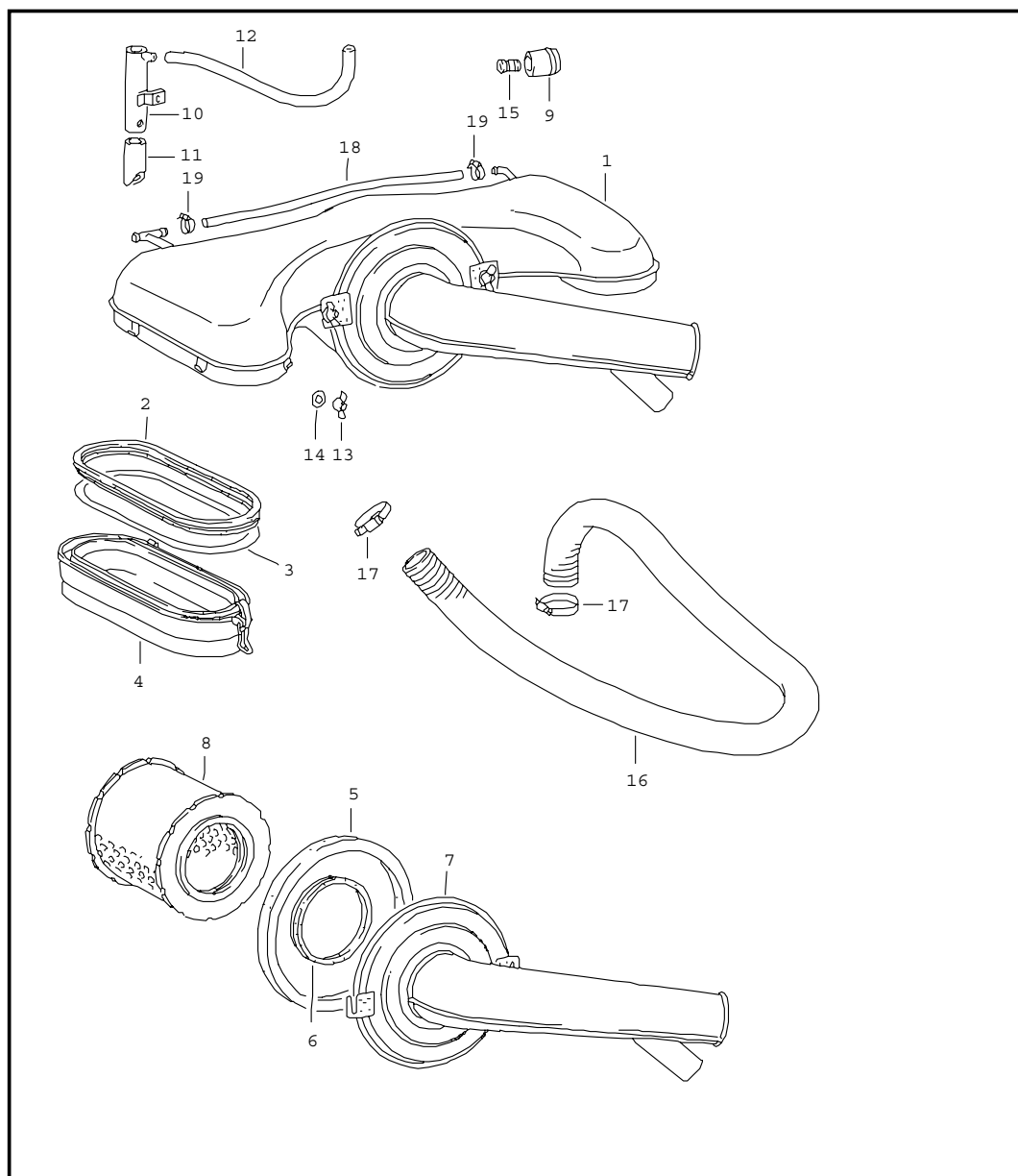
Model	Year	MG	SG	Illustration	Restrictions	Update	11:51	21.08.2006	PORSCHE	PET	PORSCHE
911	73	1	05	105-05		203					

Pos	Part Number	Name	Remarks	Qty	Model	Pos	Part Number	Name	Remarks	Qty	Model
-	N 020 902 1	tie-wrap		1		14	901 106 084 00	engine cover complete	/R 70-	1	
5	911 106 327 00	hot air socket	/R/H	1		15	901 106 085 05	engine cover complete	/H -71 72-	1	911 T/E/S 911 T-V 911 T-K
6	900 075 010 02	hexagon-head bolt M 6 X 12		X		(15)	911 106 085 00	engine cover complete	/H 72-	1	911 T-E/E/S CARRERA 2.7
(6)	900 075 057 02	hexagon-head bolt M 6 X 16		2		16	901 106 825 00	cover for air hose	/L	1	
7	900 187 015 02	hexagon-head tapping screw B 6,3 X 16	-71 72-	5 4		17	901 106 826 00	cover for air hose	/R	1	
8	N 011 524 7	washer 6,4		X		18	901 106 035 01	air baffle centre complete		4	
9	901 106 702 00	engine cover I not for sportomatic	/L/V 70- 72- 72-	1	911 E/S 911 T-E CARRERA 2.7	19	901 106 041 00	air baffle complete	/L/V/R/H	2	
(9)	901 106 703 00	engine cover I	/L/V 70- 72-	1	911 E:SPM 911 T-E:SPM 911 S:SPM CARRERA 2.7	20	901 106 039 01	air baffle complete	/R/V/L/H	2	
10	901 106 071 01	engine cover II not for sportomatic	/L/V 70- 72-	1	911 E/S 911 T-E CARRERA 2.7	21	901 106 339 01	leaf spring	70- 72-	4	911 E/S CARRERA 2.7
(10)	901 106 071 00	engine cover II	/L/V 70- 72-	1	911 E:SPM 911 T-E:SPM 911 S:SPM CARRERA 2.7	(21)	930 106 228 00	leaf spring	70- 72-	4	911 T 911 T-V 911 T-K
11	901 106 081 03	engine cover complete not for sportomatic	/L/V -71 72-	1	911 T 911 T-V	22	999 703 013 50	plug	-71	1	
(11)	901 106 081 04	engine cover complete not for sportomatic	/L/V 73-	1	911 T-K	23	N 010 208 5	hexagon-head bolt M 6 X 8		2	
(11)	905 106 081 03	engine cover complete	/L/V -71 72-	1	911 T:SPM 911 T-V:SPM	24	N 011 524 7	washer 6,4		X	
(11)	905 106 081 04	engine cover complete	/L/V 73-	1	911 T-K:SPM	-	999 025 108 02	washer 6,4 X 14 X 1,5	72-	2	
12	911 106 802 00	engine cover	/R/V	1		25	911 106 331 00	support		1	
13	901 106 083 02	engine cover complete	/L -71 72-	1	911 T/E/S 911 T-V 911 T-K	26	999 703 056 40	plug plastic material	70- 72	1	911 E/S 911 T-E CARRERA 2.7
						27	911 108 291 00	plug	-71	1	911 T/E/S
						(27)	999 703 092 40	plug 9 X 18,5/14	72-	1	
						28	911 106 036 00	cover plate	/R/H	1	

Model	Year	MG	SG	Illustration	Restrictions	Update	11:51	21.08.2006	PORSCHE	PET	PORSCHE
911	73	1	05	105-05		203					

Pos	Part Number	Name	Remarks	Qty	Model	Pos	Part Number	Name	Remarks	Qty	Model
29	911 106 827 00	closing plate	/R/H	1							
30	911 106 406 00	air duct for oil cooler	72-	1							
31	900 187 015 02	hexagon-head tapping screw B 6,3 X 16	-71	1							
(31)	900 187 010 02	hexagon-head tapping screw BZ 6,3 X 19	72-	1							
32	901 106 083 04	engine cover complete	/L 72-	1	911 T-E/E/S CARRERA 2.7						
33	911 106 324 00	bracket	72-	1	911 T-V						
		- - - E N D - - -									

Model	Year	MG	SG	Illustration	Restrictions	Update	11:51	21.08.2006	PORSCHE	PET	PORSCHE
911	73	1	06	106-00		203					

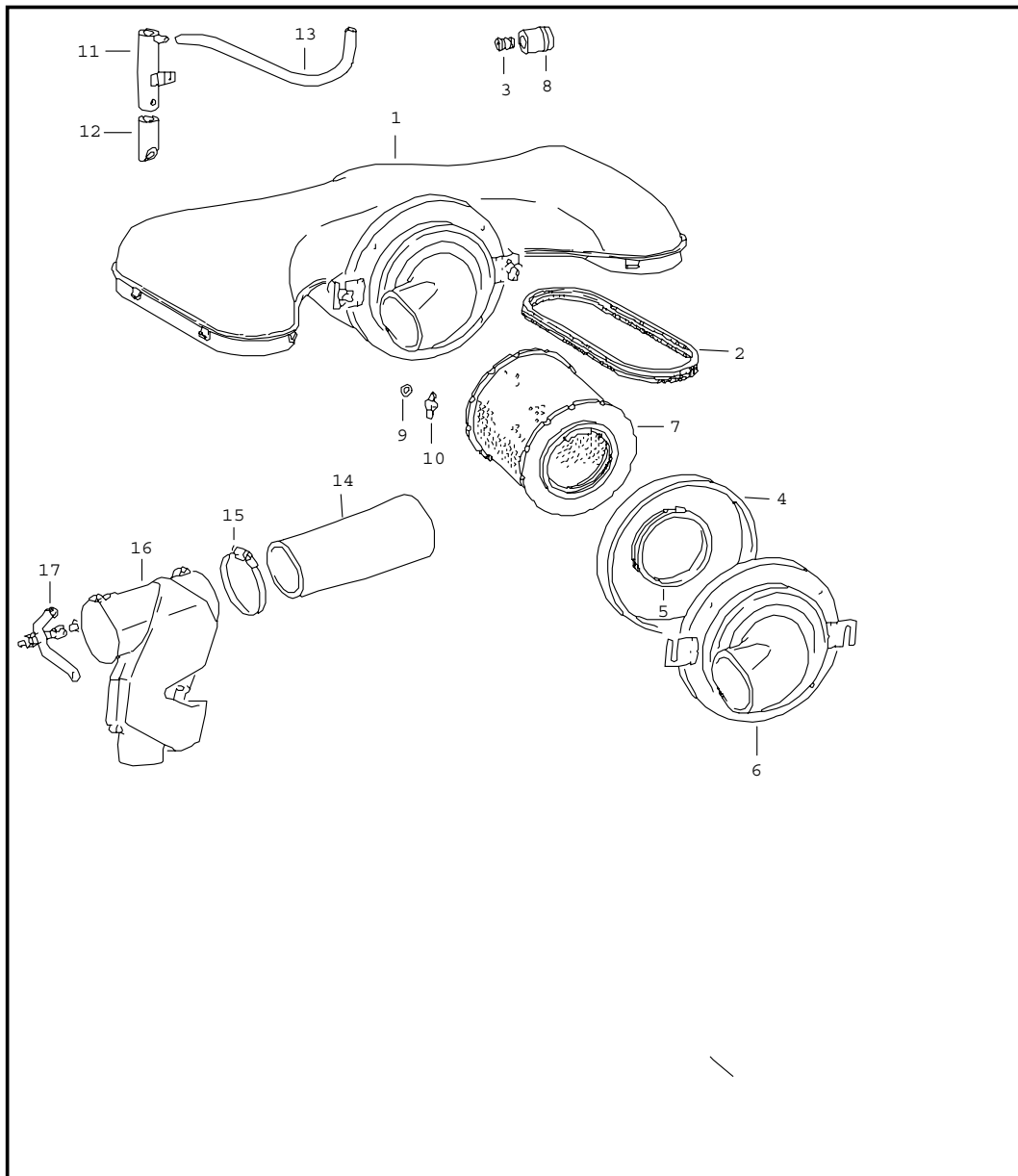


Pos	Part Number	Name	Remarks	Qty	Model
		air filter system for - ZENITH carburetor	-71 72-		911 T/E/S 911 T-V
1	911 108 001 02	air filter system plastic material without picture NR. 2, 3 and 9	-71	1	911 T
(1)	911 108 027 00	air filter system plastic material without picture NR. 2, 3 and 9	-71	1	911 E/S
(1)	911 108 002 02	air filter system plastic material without picture NR. 2, 3 and 9	72-	1	911 T-V
2	901 108 214 03	gasket	-71	2	911 T/E/S
(2)	901 108 214 03	gasket	72-	2	911 T-V
3	911 108 356 00	intermediate layer	72-	2	911 T-V
4	911 108 014 00	connecting piece plastic material complete		2	
5	901 108 215 00	gasket		1	
6	901 108 983 00	gasket		1	
7	911 108 043 01	cover complete	-71	1	911 T/E/S
(7)	911 108 046 00	cover complete	72-	1	911 T-V
8	901 108 955 11	filter element		1	
9	901 107 729 00	backfire grid		1	
10	911 108 021 00	pipe	-71	1	911 T/E/S
(10)	911 108 021 02	pipe	72-	1	911 T-V
11	253 260 180	valve		1	

Model	Year	MG	SG	Illustration	Restrictions	Update	11:51	21.08.2006	PORSCHE	PET	PORSCHE
911	73	1	06	106-00		203					

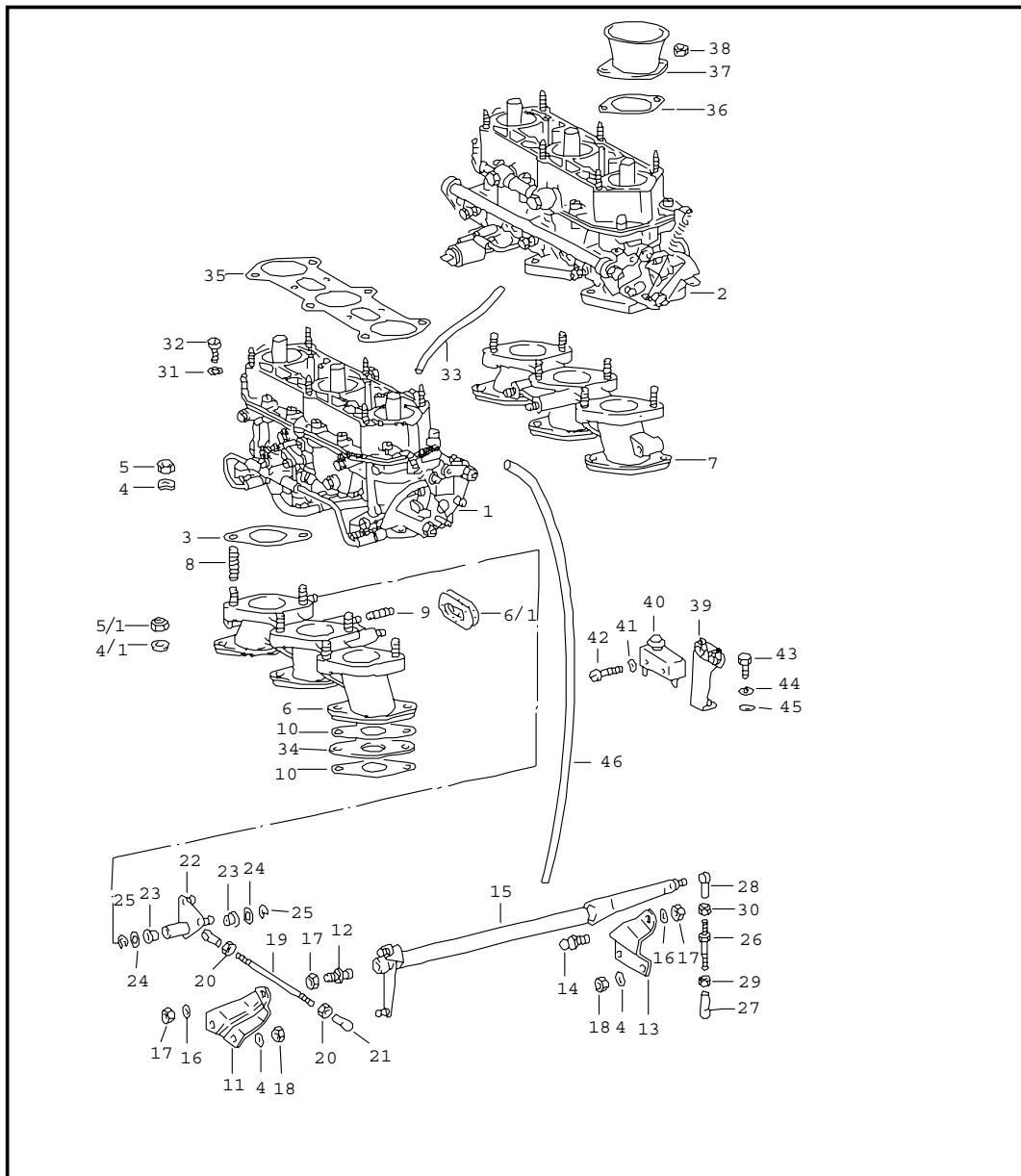
Pos	Part Number	Name	Remarks	Qty	Model	Pos	Part Number	Name	Remarks	Qty	Model
-	999 180 030 50	fuel hose C 7 X 12		*							
12	-	285 MM		1							
13	900 029 003 40	winged nut M 8		2							
14	900 151 006 09	washer B 6,4	-70	2	911 T/E/S						
(14)	900 025 038 40	washer 8,4	71 72-	2	911 T/E/S 911 T-V						
15	911 108 291 00	plug		1							
16	901 108 291 00	hose	-71	1	911 T/E/S						
(16)	911 110 295 02	breather hose	72-	1	911 T-V						
17	999 512 551 00	hose clamp 25 X 42 X 9	-71	2	911 T/E/S						
(17)	999 512 132 02	hose clamp 20 - 30 X 9	72-	2	911 T-V						
-	999 181 167 50	hose C 4,5 X 9,5 PN 710	-71	*	911 E/S						
18	-	465 MM		1							
19	999 512 082 02	hose clamp	-71	2	911 E/S						
		- - - E N D - - -									

Model	Year	MG	SG	Illustration	Restrictions	Update	11:51	21.08.2006	PORSCHE	PET	PORSCHE
911	73	1	06	106-05		203					



Pos	Part Number	Name	Remarks	Qty	Model
		air filter system for injection system	72-		
1	911 108 002 00	air filter system without picture NR. 2, 3 and 8		1	
2	901 108 214 03	gasket		2	
3	911 108 291 00	plug		1	
4	901 108 215 00	gasket		1	
5	901 108 983 00	gasket		1	
6	911 108 044 00	cover complete		1	
7	901 108 955 11	filter element		1	
8	901 107 729 00	backfire grid		1	
9	900 025 038 40	washer 8,4		2	
10	900 029 003 40	winged nut M 8		2	
11	911 108 021 02	pipe		1	
12	253 260 180	valve		1	
-	999 180 030 50	fuel hose C 7 X 12		*	
13	-	285 MM		1	
14	911 108 272 00	hose		1	
15	999 512 181 02	hose clamp 57 - 76 X 9		1	
16	911 108 015 00	regulator housing		1	
17	911 108 061 00	lever for regulator housing		1	
		- - - E N D - - -			

Model	Year	MG	SG	Illustration	Restrictions	Update	11:52	21.08.2006	PORSCHE	PET	PORSCHE
911	73	1	07	107-00		203					



Pos	Part Number	Name	Remarks	Qty	Model
1	911 108 121 00	carburetor - ZENITH-	-71 72-	1	911 T 911 T-V
(1)	911 108 123 01	carburetor 40 TIN	/L -71	1	SPM
(1)	911 108 123 02	carburetor 40 TIN	/L 72-	1	911 T-V
2	911 108 122 01	carburetor 40 TIN	/R -71	1	
(2)	911 108 124 02	carburetor 40 TIN	/R -71	1	SPM
(2)	911 108 124 03	carburetor 40 TIN	/R 72-	1	911 T-V
3	901 108 398 01	gasket for carburetor		6	
4	N 012 241 1	spring washer B 8 X 15	-70	16	
(4)	N 012 241 8	spring washer B 8 X 15	71-	16	
4/1	900 031 014 30	washer 8,4		12	
5	502 08 310	nut		12	
5/1	999 084 601 02	lock nut M 8		12	
6	901 108 039 04	intake manifold complete not for sportomatic	/L	1	
6/1	999 703 076 50	rubber sleeve for intake manifold		2	
7	901 108 040 13	intake manifold complete	/R	1	
8	900 061 007 01	stud BM 8 X 22		12	
9	900 061 022 01	stud M 8 X 12		4	

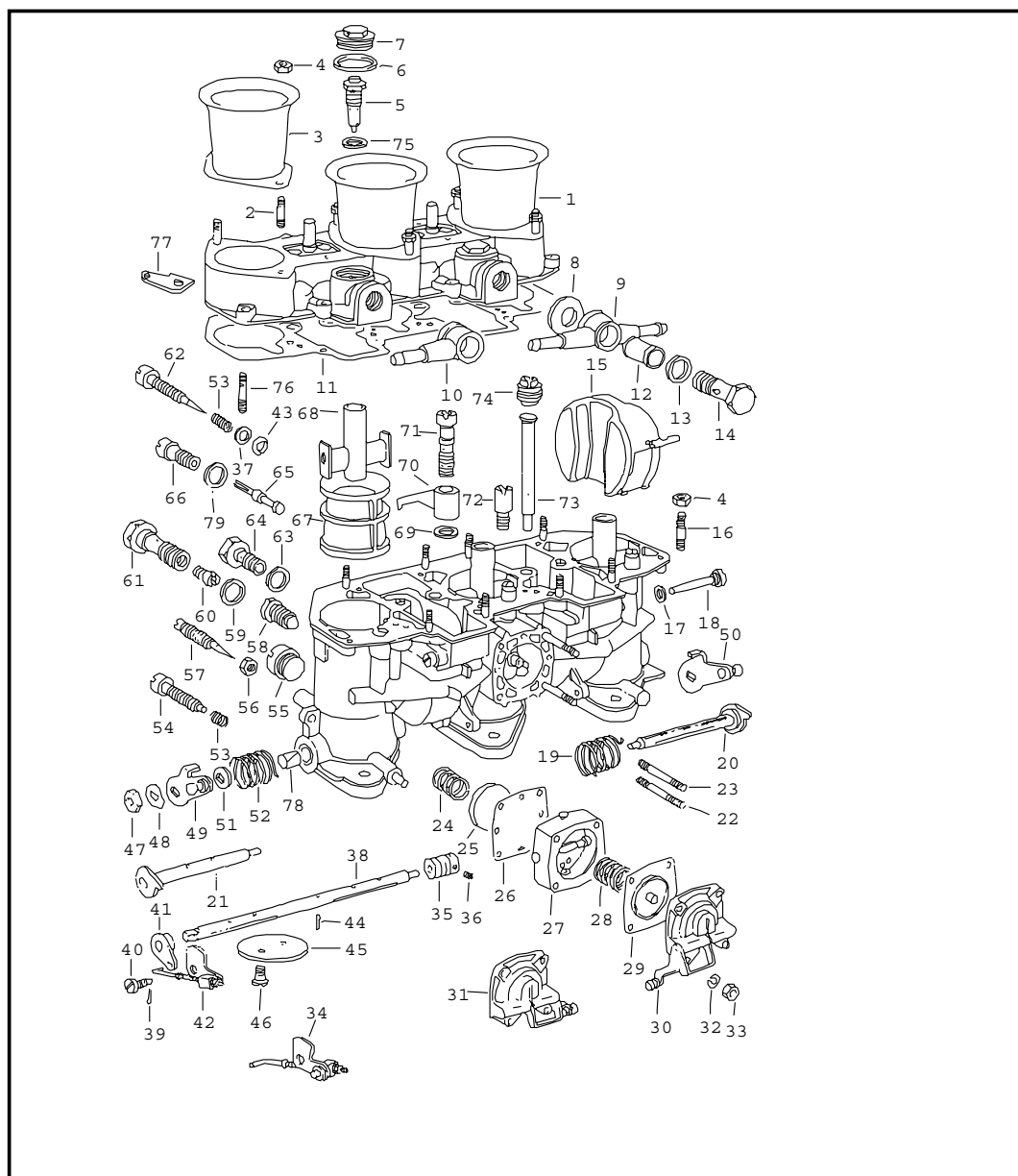
Model	Year	MG	SG	Illustration	Restrictions	Update	11:52	21.08.2006	PORSCHE	PET	PORSCHE
911	73	1	07	107-00		203					

Pos	Part Number	Name	Remarks	Qty	Model	Pos	Part Number	Name	Remarks	Qty	Model
10	901 108 391 04	gasket for intake manifold		12		26	901 108 089 00	push rod complete		2	
11	901 108 843 00	lever	/L	1		27	900 169 010 02	ball socket A 8 left		2	
12	999 167 020 02	ball pin		1		28	N 015 521 3	ball socket A 8		2	
13	901 108 844 00	lever	/R	1		29	900 076 029 02	hexagon nut M 5 left		2	
14	999 167 020 02	ball pin		1		30	900 076 027 02	hexagon nut M 5		2	
15	911 108 071 00	actuating lever complete		1		31	900 028 018 01	spring washer B 4	-70	8	
16	N 012 241 1	spring washer B 8 X 15	-70	2		(31)	N 012 224 3	spring washer B 4	71-	8	
(16)	N 012 241 8	spring washer B 8 X 15	71-	2		32	900 014 073 02	pan-head screw M 4 X 10		8	
17	N 011 118 11	hexagon nut BM 8		3		34	901 108 131 00	intermediate flange		6	
18	502 08 310	nut		4		35	911 100 977 00	gasket		2	
19	901 108 648 00	pull rod		1		36	911 110 391 00	gasket		6	
20	900 076 027 02	hexagon nut M 5		2		37	PCG 108 322 01	intake trumpet \$ 46		6	
21	N 015 521 3	ball socket A 8		2		38	N 021 196 1	lock nut M 5		12	
(22)	901 108 710 00	reverse lever		1		39	911 108 127 00	support		1	
(22)	901 108 720 00	reverse lever		1		40	901 613 106 00	microswitch		1	
23	901 423 253 00	bearing sleeve		2		41	900 028 018 01	spring washer B 4		2	
-	900 089 011 02	washer 4		1	SPM	42	900 014 091 02	pan-head screw BM 4 X 25		2	
-	900 028 018 01	spring washer B 4	-70	1	SPM	43	N 010 215 13	hexagon-head bolt M 6 X 15	71-	1	
-	N 012 224 3	spring washer B 4	71-	1	SPM	44	900 151 006 09	washer B 6,4	71-	1	
-	900 067 080 02	pan-head screw M 4 X 10		1	SPM	45	N 012 226 5	spring washer B6	72-	1	
24	900 031 001 02	washer 8,4		2							
25	900 116 009 01	lock washer 6		2							

Model	Year	MG	SG	Illustration	Restrictions	Update	11:52	21.08.2006	PORSCHE	PET	PORSCHE
911	73	1	07	107-00		203					

Pos	Part Number	Name	Remarks	Qty	Model	Pos	Part Number	Name	Remarks	Qty	Model
-	999 180 093 50	hose C 3 X 6,5	72-	*							
46	-	465 MM of carburetor left until vacuum unit distributor - - - E N D - - -		1							

Model	Year	MG	SG	Illustration	Restrictions	Update	11:52	21.08.2006	PORSCHE	PET	PORSCHE
911	73	1	07	107-05		203					



Pos	Part Number	Name	Remarks	Qty	Model
		repair material for carburetor - WEBER - - 40 IDTP 1 3C/3C1	-71		911 T
		installation from engine number on 911/03 and 911/06 (EUROPA)			
1	901 100 930 01	cover with stud		1	
2	901 100 932 00	stud		6	
3	PCG 108 322 01	intake trumpet		3	
4	901 100 814 00	nut		16	
5	901 100 934 00	carburetor needle valve		2	
6	PCG 100 914 00	sealing ring		2	
7	901 100 801 00	screw plug		2	
8	901 100 915 00	sealing ring		2	
9	901 100 935 00	connecting piece		1	
10	901 100 936 00	connecting piece		1	
11	901 100 937 00	gasket		1	
12	901 100 808 00	fuel strainer		2	
13	901 100 916 00	sealing ring		2	
14	901 100 938 00	screw plug		2	
15	901 100 807 00	float 25,5 GR.		2	
16	901 100 813 00	stud		9	
17	901 100 917 00	sealing ring		2	
18	901 100 811 00	screw for float axle		2	
19	901 100 939 00	spring		1	
20	901 100 941 01	throttle shaft	/L	1	

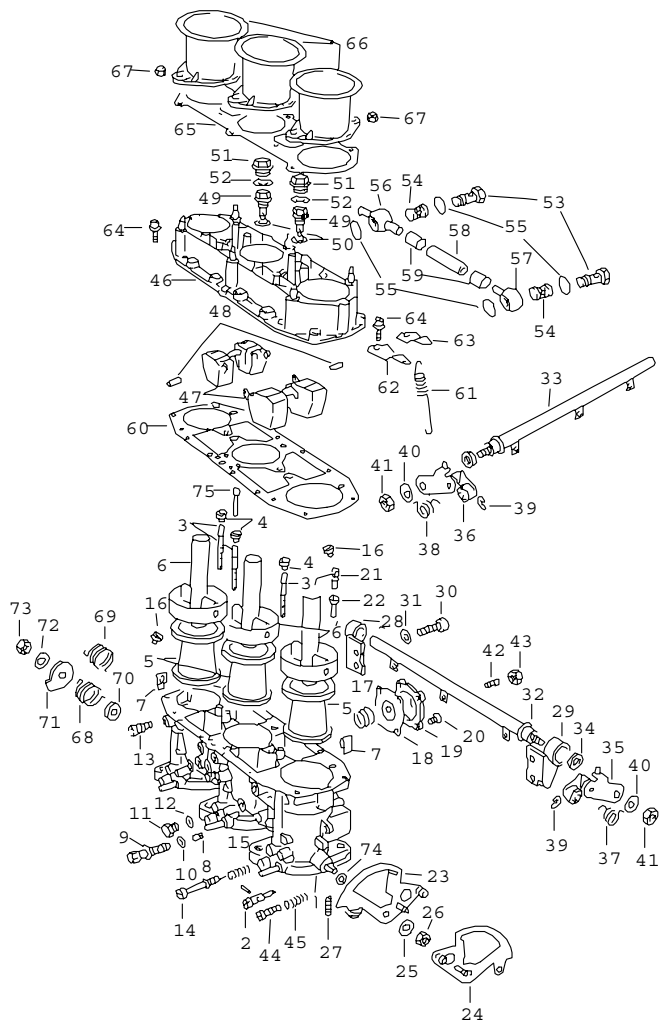
Model	Year	MG	SG	Illustration	Restrictions	Update	11:52	21.08.2006	PORSCHE	PET	PORSCHE
911	73	1	07	107-05		203					

Pos	Part Number	Name	Remarks	Qty	Model	Pos	Part Number	Name	Remarks	Qty	Model
21	901 100 940 01	throttle shaft	/R	1		47	901 100 803 00	nut		6	
22	901 100 942 00	stud		2		48	901 100 967 01	spacer		1	
23	901 100 943 01	stud		2		49	901 100 969 02	throttle lever	/L	1	
24	901 100 944 00	spring		1		50	901 100 968 02	throttle lever	/R	1	
25	901 100 945 00	valve		1		51	901 100 971 01	spacer		1	
26	901 100 946 00	diaphragm		1		52	901 100 972 00	spring		1	
27	901 100 947 00	lower part pump		1		53	901 100 805 00	spring		4	
28	901 100 948 00	spring		1		54	901 100 804 00	adjusting screw for throttle valve		1	
29	901 100 949 00	diaphragm		1		55	901 100 973 00	screw		3	
30	901 100 951 00	cover pump	/L	1		56	901 100 809 00	nut		3	
31	901 100 950 00	cover pump	/R	1		57	901 100 974 00	adjusting screw		3	
32	901 100 952 00	lock ring		4		58	901 100 976 01	fastening screw		3	
33	901 100 953 01	nut		4		59	901 100 977 00	sealing ring		3	
34	901 100 912 01	linkage	/R	1		60	901 100 978 04	main vent 110		3	
35	901 100 955 01	connecting piece elastic		1		61	901 100 979 00	jet carrier		3	
36	901 100 954 03	screw		4		62	PCG 100 980 02	adjusting screw		3	
37	901 100 956 02	spacer		2		63	901 100 918 00	sealing ring		2	
38	901 100 958 01	shaft		1		64	901 100 806 00	drain plug		2	
39	616 100 812 00	retaining spring		2		65	901 100 981 02	idle jet 0,55		3	
40	901 100 960 01	screw for axle float		1		66	901 100 982 00	jet carrier		3	
41	901 100 961 00	lever		1		67	901 100 983 03	venturi \$ 27		3	
42	901 100 911 01	linkage		1		68	901 100 985 00	booster 4,50		3	
43	901 100 998 00	sealing ring		1		69	901 100 919 00	sealing ring		3	
44	901 100 812 00	pin		1		70	901 100 986 00	pump jet 0,50		3	
45	901 100 965 00	throttle valve		3		-	901 100 986 05	pump jet 0,50 + 2 MM		3	
46	901 100 966 01	screw		6							

Model	Year	MG	SG	Illustration	Restrictions	Update	11:52	21.08.2006	PORSCHE	PET	PORSCHE
911	73	1	07	107-05		203					

Pos	Part Number	Name	Remarks	Qty	Model	Pos	Part Number	Name	Remarks	Qty	Model
71	901 100 987 00	pressure valve		3							
72	901 100 810 00	suction valve		1							
(73)	901 100 988 04	mixing tube F 1		3							
(74)	901 100 989 08	air correction jet 185		3							
75	901 100 990 01	sealing ring 1 MM		X							
(75)	901 100 995 00	sealing ring 0,25 MM		X							
(75)	901 100 996 00	sealing ring 0,50 MM		X							
76	901 100 802 00	stud		1							
77	901 100 993 00	bracket		1							
78	901 100 997 00	bush (TEFLON)		2							
79	901 100 998 00	sealing ring		3							
		- - - E N D - - -									

Model	Year	MG	SG	Illustration	Restrictions	Update	11:52	21.08.2006	PORSCHE	PET	PORSCHE
911	73	1	07	107-10		203					



Pos	Part Number	Name	Remarks	Qty	Model
		repair material for carburetor - ZENITH - 40 TIN	-71 72-		911 T 911 T-V
-	911 108 121 00	carburetor	/L -71	1	
-	911 108 122 01	carburetor	/R -71	1	
-	911 108 123 02	carburetor	/L 72-	1	
-	911 108 124 02	carburetor	/R 72-	1	
2	911 100 923 00	adjusting screw		6	
-	911 100 924 00	pin		6	
3	911 100 925 00	mixing tube \$ 4,3		6	
-	911 100 917 00	bush \$ 4,3 for mixing tube	-70	6	
4	901 108 940 00	air correction jet 195		6	
(4)	901 108 940 03	air correction jet 210	72-	6	
5	911 100 926 00	venturi	-71	6	
(5)	911 100 926 01	venturi 28,5	72-	6	
6	911 100 927 01	booster		6	
7	911 100 928 00	spring		6	
8	911 100 929 00	main vent 115	-71	6	
(8)	911 100 929 03	main vent 120	72-	6	
9	911 100 930 00	support		6	
10	901 108 976 00	sealing ring		6	
11	911 100 931 00	screw plug		4	
-	PCG 100 900 00	screw plug		6	
12	911 100 932 01	sealing ring	-71	4	
(12)	911 100 932 00	sealing ring	72-	4	

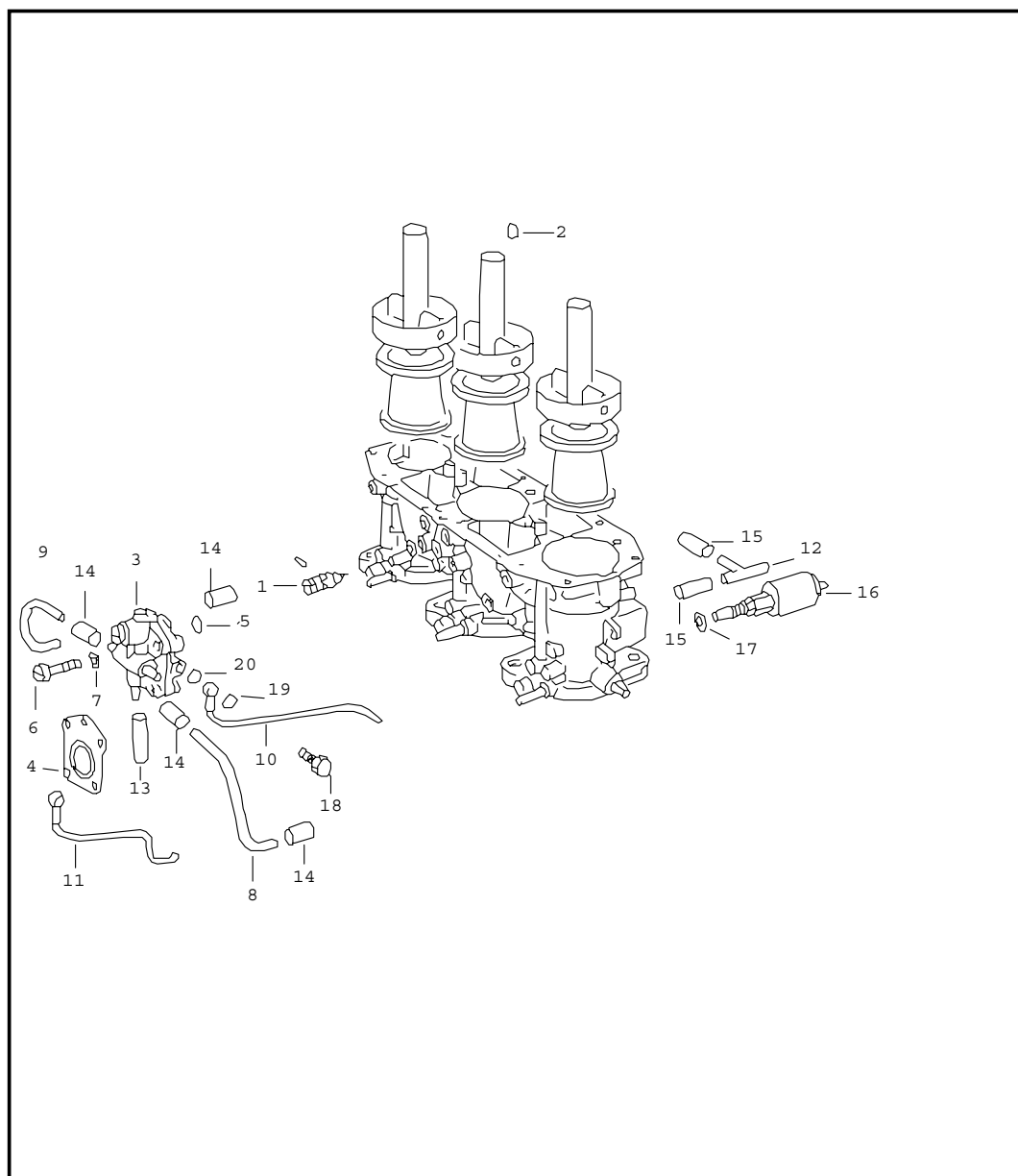
Model	Year	MG	SG	Illustration	Restrictions	Update	11:52	21.08.2006	PORSCHE	PET	PORSCHE
911	73	1	07	107-10		203					

Pos	Part Number	Name	Remarks	Qty	Model	Pos	Part Number	Name	Remarks	Qty	Model
13	911 100 999 01	idle jet 47,5 P	-71	6		34	911 100 953 00	washer		2	
(13)	911 100 999 01	nozzle 47,5 P	72-	6		35	911 100 920 00	lever complete		1	
14	911 100 933 00	adjusting screw		6		36	911 100 921 00	lever complete		1	
15	911 100 934 00	compression spring		6		37	911 100 954 00	spring		1	
16	911 100 935 00	valve		6		38	911 100 922 00	spring		1	
17	911 100 936 00	spring		6		39	911 100 955 00	retainer		2	
18	911 100 937 00	diaphragm complete		6		40	911 100 915 00	lock washer		2	
19	911 100 938 00	cover		6		41	911 100 946 00	hexagon nut		2	
20	911 100 939 00	oval-head screw		24		42	911 100 947 00	threaded pin		6	
21	911 100 940 00	injection pipe complete		6		43	901 108 977 00	hexagon nut		6	
-	PCG 100 940 40	o-ring		6		44	911 100 957 00	adjusting screw idle speed		2	
22	911 100 941 00	pin		6		45	911 100 934 00	compression spring		2	
-	911 100 942 00	spring washer		2		46	911 100 959 00	cover		2	
23	-	deleted				47	911 100 960 00	float		4	
-	911 100 944 00	cam disc complete	-71	1		48	911 100 961 00	axle float		8	
23	911 100 943 00	cam disc	/L	1		49	911 100 962 00	carburettor needle valve		4	
24	911 100 943 01	cam disc	/R	1		50	911 100 963 00	sealing ring		4	
25	911 100 945 00	tab washer		2		51	911 100 964 00	screw plug		4	
26	911 100 946 00	hexagon nut		2		52	911 100 965 00	sealing ring		4	
(27)	911 100 958 00	threaded pin	72-	1		53	911 100 966 00	banjo bolt		4	
28	911 100 948 00	bearing bracket	/L	2		54	911 100 967 00	strainer		4	
29	911 100 949 00	bearing bracket	/R	2		55	911 100 968 00	sealing ring		8	
30	911 100 950 00	pan-head screw		8		56	911 100 969 00	ring piece		2	
31	N 012 026 3	lock ring		8		57	911 100 970 00	ring piece		2	
32	911 100 952 00	shaft complete		1		58	999 180 030 50	fuel hose		2	
33	911 100 952 01	shaft complete		1		59	911 100 972 00	hose sleeve		4	
						60	PCG 100 973 00	gasket		2	

Model	Year	MG	SG	Illustration	Restrictions	Update	11:52	21.08.2006	PORSCHE	PET	PORSCHE
911	73	1	07	107-10		203					

Pos	Part Number	Name	Remarks	Qty	Model	Pos	Part Number	Name	Remarks	Qty	Model
61	911 100 974 00	return spring		2							
62	911 100 975 00	retaining bracket	/L	1							
63	911 100 983 00	retaining bracket	/R	1							
64	911 100 976 00	pan-head screw		24							
65	911 100 977 00	gasket		2							
66	PCG 108 322 01	intake trumpet	-71	6							
		\$ 46									
(66)	-	funnel	72-	6							
		\$ 46									
67	N 021 196 1	lock nut	-71	12							
		M 5									
(67)	-	hexagon nut	72-	12							
		M 5									
68	911 100 980 00	spring		1							
69	911 100 980 00	spring		1							
70	911 100 981 00	washer		2							
71	911 100 982 00	lever		2							
72	911 100 945 00	lock washer		2							
73	911 100 946 00	hexagon nut		2							
-	911 100 987 01	seat	72-	2							
74	911 100 942 00	spring washer	72-	2							
75	-	nozzle	72-	2							
		- - - E N D - - -									

Model	Year	MG	SG	Illustration	Restrictions	Update	11:52	21.08.2006	PORSCHE	PET	PORSCHE
911	73	1	07	107-15		203					

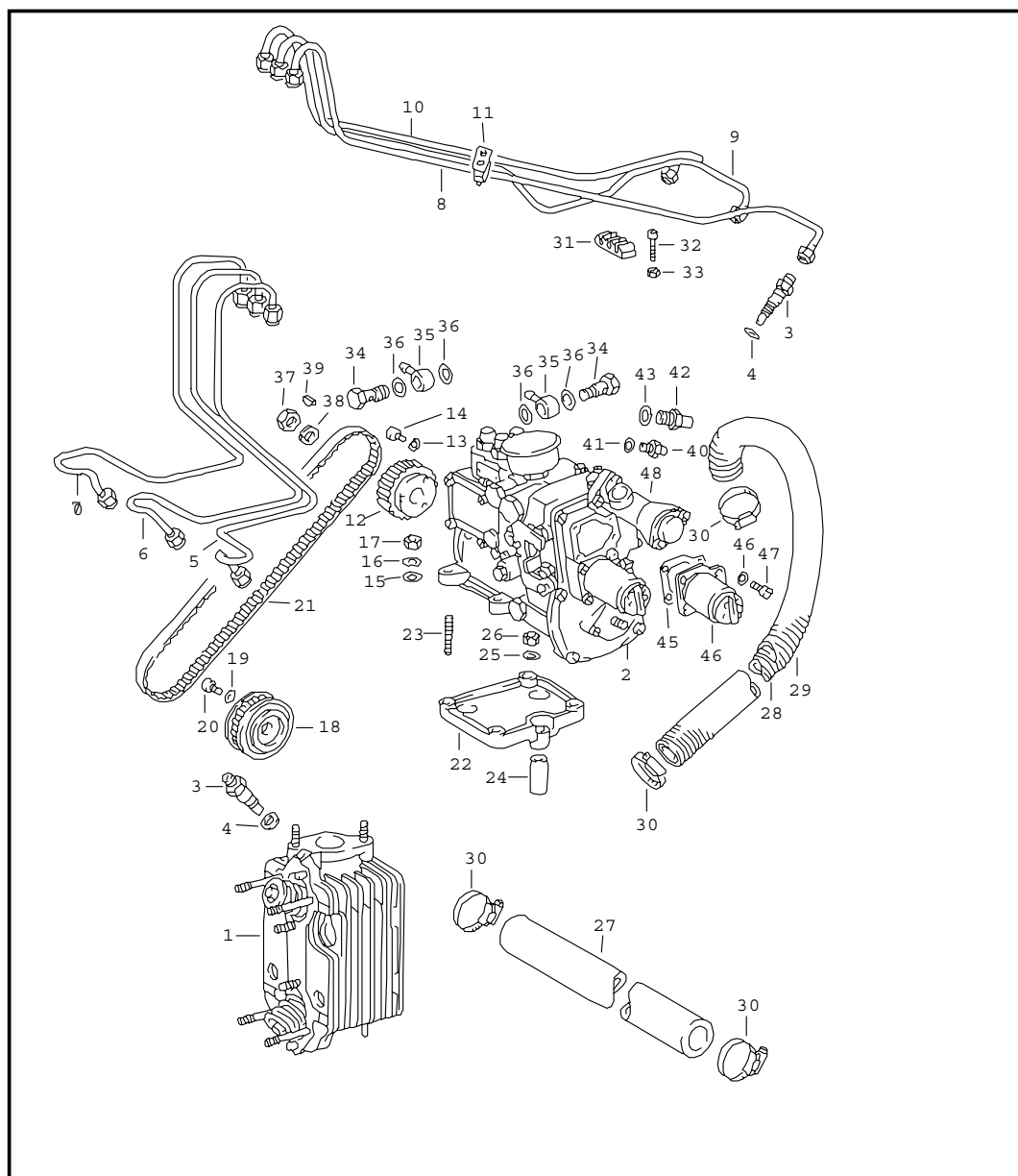


Pos	Part Number	Name	Remarks	Qty	Model
		repair material for carburetor - ZENITH - 40 TIN	-71 72-		911 T 911 T VERGASER
		repair material for carburetor see group 1/07/07			
1	911 100 923 01	adjusting screw		2	
-	911 100 985 00	pin		2	
2	911 100 986 00	nozzle		2	
3	911 100 987 00	valve		2	
4	911 100 937 01	diaphragm		2	
5	911 100 989 00	o-ring		2	
6	911 100 990 00	screw		4	
7	911 100 991 00	lock ring		4	
8	911 100 992 00	pipe		2	
9	911 100 993 00	pipe		2	
10	911 100 994 00	pipe complete		1	
11	911 100 984 00	pipe		1	
12	911 100 902 00	distributor line		1	
13	911 100 995 00	hose		2	
14	999 180 035 50	breather hose		8	
15	999 181 281 50	vacuum hose		2	
16	911 605 101 00	solenoid valve		1	
17	911 100 998 02	sealing ring	-71	1	
(17)	911 100 998 02	gasket	72-	1	
18	911 100 997 00	banjo bolt		2	
19	911 100 998 00	gasket		2	
20	911 100 998 00	gasket		2	

Model	Year	MG	SG	Illustration	Restrictions	Update					
911	73	1	07	107-15		203	11:52	21.08.2006	PORSCHE	PET	PORSCHE

Pos	Part Number	Name	Remarks	Qty	Model	Pos	Part Number	Name	Remarks	Qty	Model
-	911 100 987 02	spring for diaphragm picture NR. 4	72-	2							
-	911 100 987 01	seat for diaphragm picture NR. 4	72-	2							
		- - - E N D - - -									

Model	Year	MG	SG	Illustration	Restrictions	Update	11:52	21.08.2006	PORSCHE	PET	PORSCHE
911	73	1	07	107-20		203					



Pos	Part Number	Name	Remarks	Qty	Model
		injection system cylinder head and injection pump	-71 72-		911 E/S 911 T-E/E/S CARRERA 2.7
1	911 104 007 00	cylinder head	-72	1	911 E
(1)	911 104 008 00	cylinder head	-72	1	911 S CARRERA 2.7
(1)	911 104 004 00	cylinder head	72-	1	911 T-E
(1)	911 104 004 X	cylinder head exchange	72-	1	911 T-E
2	911 110 221 00	injection pump	-71	1	911 E
(2)	911 110 222 00	injection pump	-71	1	911 S
(2)	911 110 251 00	injection pump	72-	1	911 T-E
(2)	911 110 252 00	injection pump	72-	1	911 E
(2)	911 110 253 00	injection pump	72-	1	911 S
(2)	911 110 254 00	injection pump	72-	1	CARRERA 2.7
3	901 110 271 00	injector valve		6	
4	N 013 812 2	sealing ring A 12 X 15,5		6	
5	911 110 021 00	injection line cylinder 1 complete		1	
6	911 110 022 00	injection line cylinder 2 complete		1	
7	911 110 023 00	injection line cyl. 3 complete		1	
8	911 110 024 01	injection line cyl. 4 complete		1	
9	911 110 025 00	injection line cylinder 5 complete		1	
10	911 110 026 00	injection line cyl. 6 complete		1	
11	911 110 333 00	clamp		1	

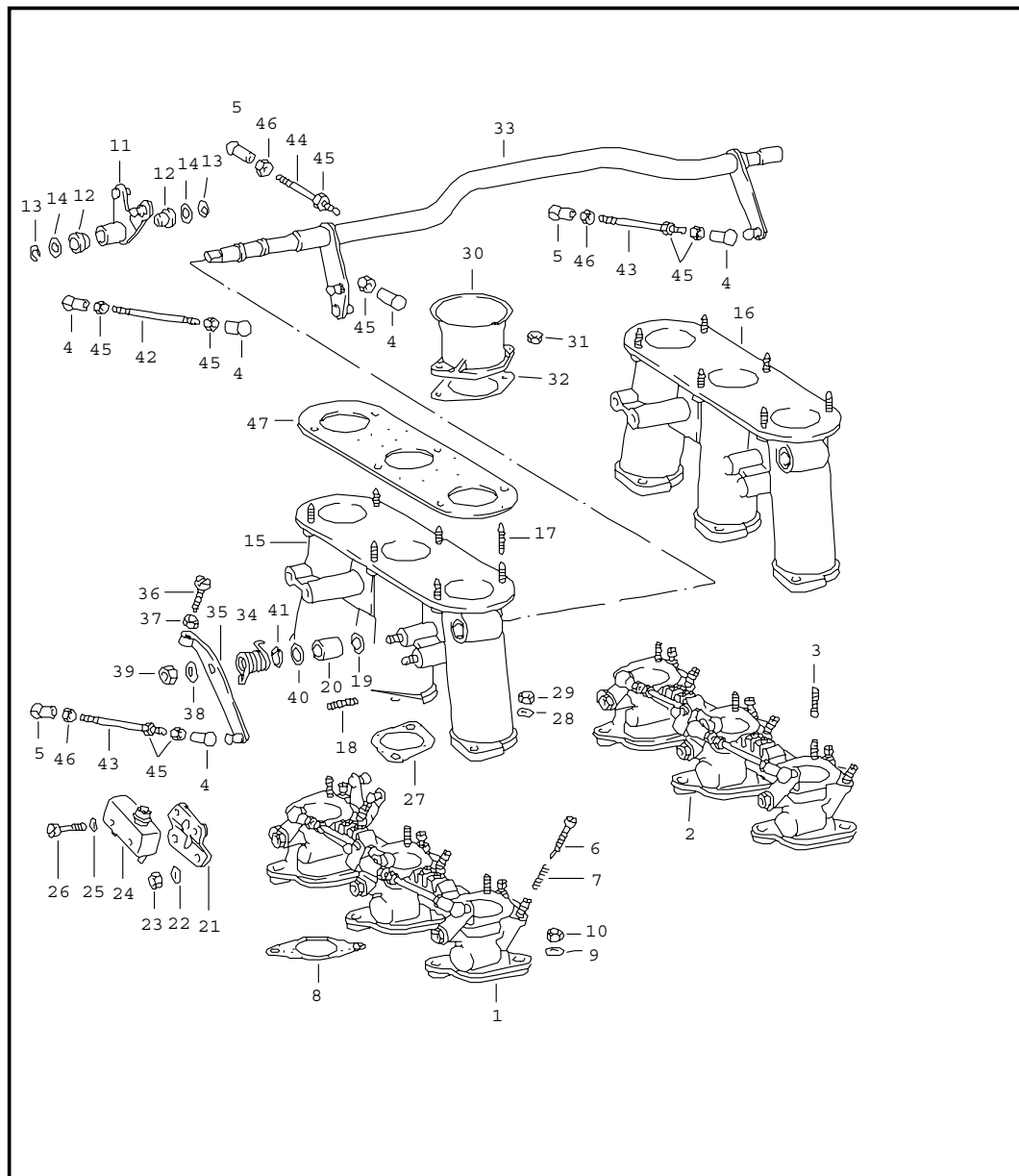
Model	Year	MG	SG	Illustration	Restrictions	Update	11:52	21.08.2006	PORSCHE	PET	PORSCHE
911	73	1	07	107-20		203					

Pos	Part Number	Name	Remarks	Qty	Model	Pos	Part Number	Name	Remarks	Qty	Model
12	901 110 022 00	gear wheel injection pump		1		27	000 043 205 21	hose internal diameter 25 440 MM		1	
13	900 028 003 01	spring washer A 6	-70	3		28	901 110 295 00	hose		1	
(13)	N 012 226 5	spring washer A 6	71-	3		29	PCG 110 296 00	hose		1	
-	901 110 238 00	washer		1		30	999 512 551 00	hose clamp 25 X 42 X 9		2	
14	900 067 009 02	pan-head screw M 6 X 15		3		(30)	999 512 132 02	hose clamp 20 X 30 X 9		2	
15	900 025 007 02	washer 8,4		4		31	916 110 330 00	support for injection line complete	-71	4	
16	N 012 241 1	spring washer B 8 X 15	-70	4		32	900 014 093 02	pan-head screw AM 3 X 22	-71	8	
(16)	N 012 241 8	spring washer B 8 X 15	71-	4		33	900 076 001 02	hexagon nut M 3		8	
17	502 08 310	nut		4		34	901 110 917 00	banjo bolt	-71	2	
18	901 110 023 00	gear wheel camshaft		1		(34)	911 108 910 00	banjo bolt	72-	2	
19	900 028 003 01	spring washer A 6	-70	2		35	901 108 995 00	ring piece	-71	2	
(19)	N 012 226 5	spring washer A 6	71-	2		(35)	911 108 912 00	ring piece	72-	2	
20	900 067 009 02	pan-head screw M 6 X 15	-71	2		36	901 108 994 00	sealing ring	-71	4	
(20)	900 067 008 02	pan-head screw M 6 X 12	72-	2		(36)	911 108 911 00	sealing ring	72-	4	
21	999 192 030 40	toothed belt		1		37	900 078 003 00	hexagon nut M 12	-71	1	
22	901 110 027 00	bracket		1		38	900 028 014 01	lock ring B 12		1	
23	900 061 007 01	stud BM 8 X 22 SN 1115	-71	4		39	N 012 706 1	spring 3 X 6,5		1	
(23)	999 062 007 02	stud BM 8 X 22	72-	4		40	901 110 918 00	adapter intake		1	
24	901 110 236 00	spacer tube	-72 72-	1	911 T-K	41	900 123 033 20	sealing ring A 10 X 13,5		1	
25	N 012 241 1	spring washer B 8X15	-72 72-	3	911 T-K	42	901 110 919 00	adapter return		1	
26	900 076 025 02	hexagon nut M 8	-72 72-	3	911 T-K	43	N 013 849 2	sealing ring A 14 X 18		1	

Model	Year	MG	SG	Illustration	Restrictions	Update	11:52	21.08.2006	PORSCHE	PET	PORSCHE
911	73	1	07	107-20		203					

Pos	Part Number	Name	Remarks	Qty	Model	Pos	Part Number	Name	Remarks	Qty	Model
44	911 110 911 00	control magnet		1							
45	901 110 922 00	gasket		1							
46	901 110 923 00	lock ring		4							
47	900 014 058 02	pan-head screw AM 5 X 12		4							
48	901 110 924 00	thermostat for hot air complete		1							
-	901 110 925 00	insulating piece		1							
-	900 014 081 02	pan-head screw M 6 X 18		2							
-	901 110 926 00	insulating bush		2							
-	901 110 927 00	sealing ring		1							
		- - - E N D - - -									

Model	Year	MG	SG	Illustration	Restrictions	Update	11:53	21.08.2006	PORSCHE	PET	PORSCHE
911	73	1	07	107-25		203					



Pos	Part Number	Name	Remarks	Qty	Model
		injection system throttle body	-71		911 E/S
1	911 110 083 50	throttle body not for sportomatic	/L	1	911 E
(1)	911 110 085 50	throttle body not for sportomatic	/L	1	911 S
(1)	911 110 083 51	throttle body exchange	/L	1	911 E SPM
-	901 110 111 00	bearing sleeve for throttle shaft		12	
2	911 110 084 50	throttle body	/R	1	911 E
(2)	911 110 085 50	throttle body not for sportomatic	/R	1	911 S
3	999 062 071 02	stud BM 6 X 16		12	
4	999 169 002 02	ball socket		5	
5	999 169 001 02	ball socket left thread		5	
6	901 110 112 01	adjusting screw		6	
7	901 110 119 01	spring		6	
8	901 108 391 04	gasket for throttle body		6	911 E
(8)	901 108 391 05	gasket for throttle body not for sportomatic		6	911 S
9	900 031 014 30	washer 8,4		12	
10	999 084 601 02	hexagon nut M 8		12	
11	901 110 007 00	reverse lever not for sportomatic		1	
(11)	901 110 077 00	reverse lever		1	911 E SPM

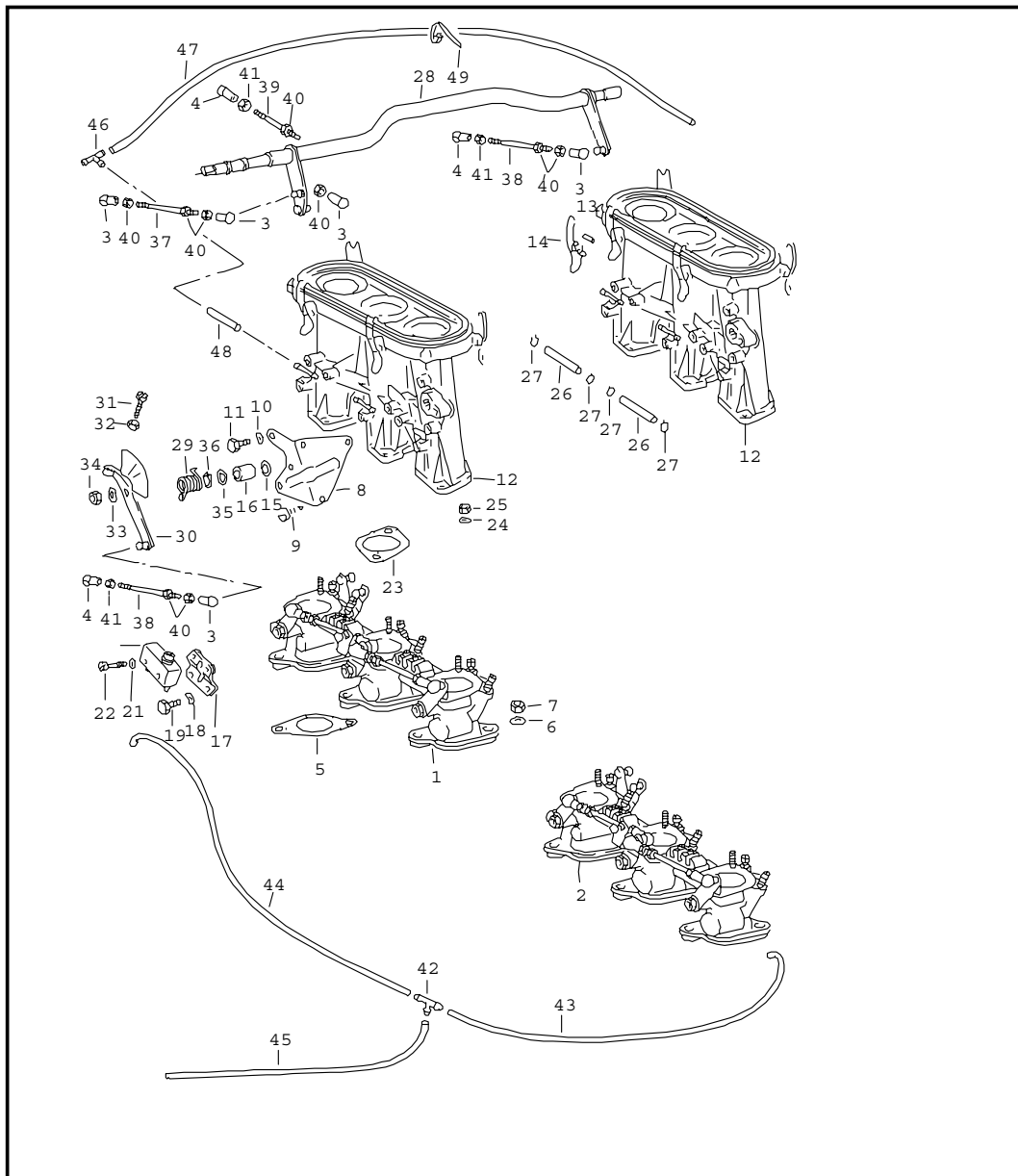
Model	Year	MG	SG	Illustration	Restrictions	Update	11:53	21.08.2006	PORSCHE	PET	PORSCHE
911	73	1	07	107-25		203					

Pos	Part Number	Name	Remarks	Qty	Model	Pos	Part Number	Name	Remarks	Qty	Model
12	901 423 253 00	bearing sleeve		2		26	900 014 091 02	pan-head screw BM 4 X 25		2	
13	900 116 009 01	lock washer 6		2		27	911 110 191 01	gasket for intake manifold		6	
14	900 031 001 02	washer 8,4		2		28	900 028 008 01	spring washer B 6	-70	12	
15	911 110 031 01	filler tube complete not for sportomatic	/L	1	911 E	(28)	N 012 226 5	spring washer B 6	71-	12	
(15)	911 110 031 01	intake pipe complete	/L	1	911 E SPM	29	900 076 010 02	hexagon nut M 6		12	
(15)	911 110 033 01	intake pipe complete not for sportomatic	/L	1	911 S	30	911 110 322 03	funnel \$ 42 not for sportomatic		6	911 S
16	911 110 031 01	filler tube complete	/R	1	911 E	(30)	911 110 322 02	funnel \$ 38		6	911 E SPM
(16)	911 110 033 01	intake pipe complete not for sportomatic	/R	1	911 S	-	911 110 139 00	washer		12	
17	999 061 079 01	stud		12		31	N 021 196 1	lock nut M 5		12	
18	900 061 055 01	stud BM 6 X 12		2		32	911 110 391 00	gasket		6	
19	900 234 019 01	shim 12 X 18 X 1		1		33	901 110 057 00	deflection roller complete		1	
20	999 201 035 00	needle sleeve 12 X 18 X 16		2		34	901 110 131 00	spring		1	
21	901 110 036 00	support for microswitch		1		35	901 110 059 02	lever		1	
22	900 028 008 01	spring washer B 6	-70	2		36	999 014 007 02	pan-head screw		1	
(22)	N 012 226 5	spring washer B 6	71-	2		37	900 076 027 02	hexagon nut M 5		1	
23	900 076 010 02	hexagon nut M 6		2		38	999 523 102 02	lock washer M 8		1	
24	901 613 106 00	microswitch intake manifold		1		39	900 076 025 02	hexagon nut M 8 SW 13		1	
25	900 028 018 01	spring washer B 4		2		40	900 234 019 01	shim 12 X 18 X 1		1	
						41	900 041 005 01	circlip 12 X 1		1	
						42	901 110 611 00	pull rod		1	
						43	901 110 062 00	push rod		2	

Model	Year	MG	SG	Illustration	Restrictions	Update	11:53	21.08.2006	PORSCHE	PET	PORSCHE
911	73	1	07	107-25		203					

Pos	Part Number	Name	Remarks	Qty	Model	Pos	Part Number	Name	Remarks	Qty	Model
44	901 110 063 00	push rod		2							
45	900 076 027 02	hexagon nut M 5		8							
46	900 076 029 02	hexagon nut M 5 left thread		3							
47	901 110 192 00	gasket		2							
		- - - E N D - - -									

Model	Year	MG	SG	Illustration	Restrictions	Update	11:53	21.08.2006	PORSCHE	PET	PORSCHE
911	73	1	07	107-30		203					



Pos	Part Number	Name	Remarks	Qty	Model
		injection system throttle body	72-		911 T-E/E/S CARRERA 2.7
1	911 110 081 10	throttle body not for sportomatic	/L	1	911 T-E
(1)	911 110 081 11	throttle body	/L	1	911 T-E: SPM
(1)	911 110 083 10	throttle body not for sportomatic	/L	1	911 E
(1)	911 110 083 11	throttle body	/L	1	911 E SPM
(1)	911 110 085 10	throttle body not for sportomatic	/L	1	911 S CARRERA 2.7
(1)	911 110 085 11	throttle body	/L	1	911 S SPM CARRERA 2.7
2	911 110 082 00	throttle body	/R	1	911 T-E
(2)	911 110 084 00	throttle body	/R	1	911 E
(2)	911 110 085 10	throttle body	/R	1	911 S CARRERA 2.7
-	901 110 111 00	bearing sleeve for throttle shaft		12	
3	999 169 002 02	ball socket		5	
4	999 169 001 02	ball socket left thread		3	
5	901 108 391 04	gasket for throttle body		6	911 T-E/E
(5)	901 108 391 05	gasket for throttle body		6	911 S CARRERA 2.7
6	900 031 014 30	washer 8,4		12	
7	999 084 601 02	hexagon nut M 8		12	
8	911 108 325 00	angle for regulator housing		1	
9	901 110 077 00	oval-head sheetmetal screw BZ 5,5 X 13		3	

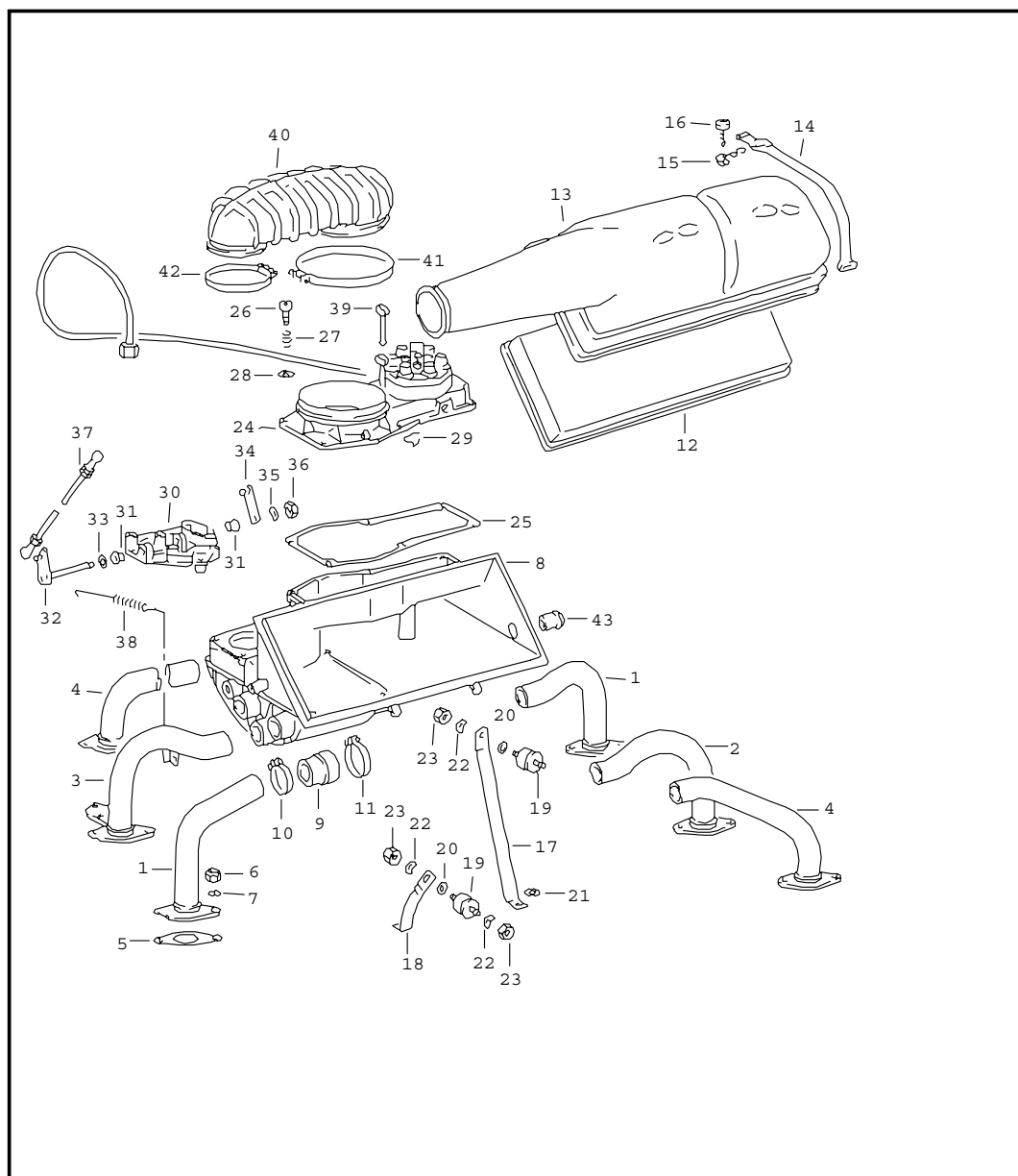
Model	Year	MG	SG	Illustration	Restrictions	Update	11:53	21.08.2006	PORSCHE	PET	PORSCHE
911	73	1	07	107-30		203					

Pos	Part Number	Name	Remarks	Qty	Model	Pos	Part Number	Name	Remarks	Qty	Model
10	N 012 226 5	spring washer B 6		3		26	-	110 intake pipe		4	
11	900 075 010 02	hexagon-head bolt M 6 X 12		3		27	999 512 185 02	hose clamp		8	
12	911 110 063 02	intake pipe	/L/R	1	911 S CARRERA 2.7	28	911 110 073 00	deflection roller complete		1	
(12)	911 110 065 02	intake pipe	/L/R	1	911 E	29	901 110 131 00	spring		1	
-	911 110 075 00	distributing piece		4		30	911 110 054 00	lever		1	
-	911 110 078 00	angled pipe		2		31	999 014 007 02	pan-head screw		1	
13	900 197 028 00	tensioning sleeve 5 X 14		8		32	900 076 027 02	hexagon nut M 5		1	
14	911 108 167 00	catch		8		33	999 523 102 02	lock washer M 8		1	
15	900 234 019 01	shim 12 X 18 X 1		1		34	900 076 025 02	hexagon nut M 8 SW 13		1	
16	999 201 035 00	needle sleeve 12 X 18 X 16		2		35	900 234 019 01	shim 12 X 18 X 1		1	
17	901 110 036 00	support for microswitch		1		36	900 041 005 01	circlip 12 X 1		1	
18	N 012 226 5	spring washer B 6		2		37	901 110 611 00	pull rod		1	
19	900 075 010 02	hexagon nut M 6		2		38	901 110 062 00	push rod		2	
20	901 613 106 00	microswitch intake manifold		1		39	901 110 063 00	push rod		1	
21	900 028 018 01	spring washer B 4		2		40	900 076 027 02	hexagon nut M 5		8	
22	900 014 091 02	pan-head screw BM 4 X 25		2		41	900 076 029 02	hexagon nut M 5 left thread		3	
23	911 110 191 01	gasket for intake pipe		6		42	999 137 004 40	connecting socket		2	
24	N 012 226 5	spring washer B 6		12		-	999 180 093 50	hose C 3 X 6,5		*	
25	900 076 010 02	hexagon nut M 6		12		43	-	500 throttle body right t-socket		1	
-	999 181 167 50	hose 4,5 X 9,5 X 110		*		-	999 180 093 50	hose C 3 X 6,5		*	

Model	Year	MG	SG	Illustration	Restrictions	Update	11:53	21.08.2006	PORSCHE	PET	PORSCHE
911	73	1	07	107-30		203					

Pos	Part Number	Name	Remarks	Qty	Model	Pos	Part Number	Name	Remarks	Qty	Model
44	-	180 throttle body left t-socket		1							
-	999 180 093 50	hose C 3 X 6,5		*							
45	-	275 vacuum unit distributor t-socket		1							
-	911 602 103 00	clip 7		1							
-	999 513 002 40	hose clamp for mount hose 900.100.295.00/296.00 regulator housing		1							
46	999 137 005 40	connecting socket		1							
-	999 181 167 50	hose C 4,5 X 9,5		*							
47	-	550 socket intake pipe right		1							
-	999 181 167 50	hose C 4,5 X 9,5		*							
48	-	35 socket intake pipe left		1							
49	N 020 902 1	tie-wrap 6,5 X 120		1							
		- - - E N D - - -									

Model	Year	MG	SG	Illustration	Restrictions	Update	11:53	21.08.2006	PORSCHE	PET	PORSCHE
911	73	1	07	107-35		203					

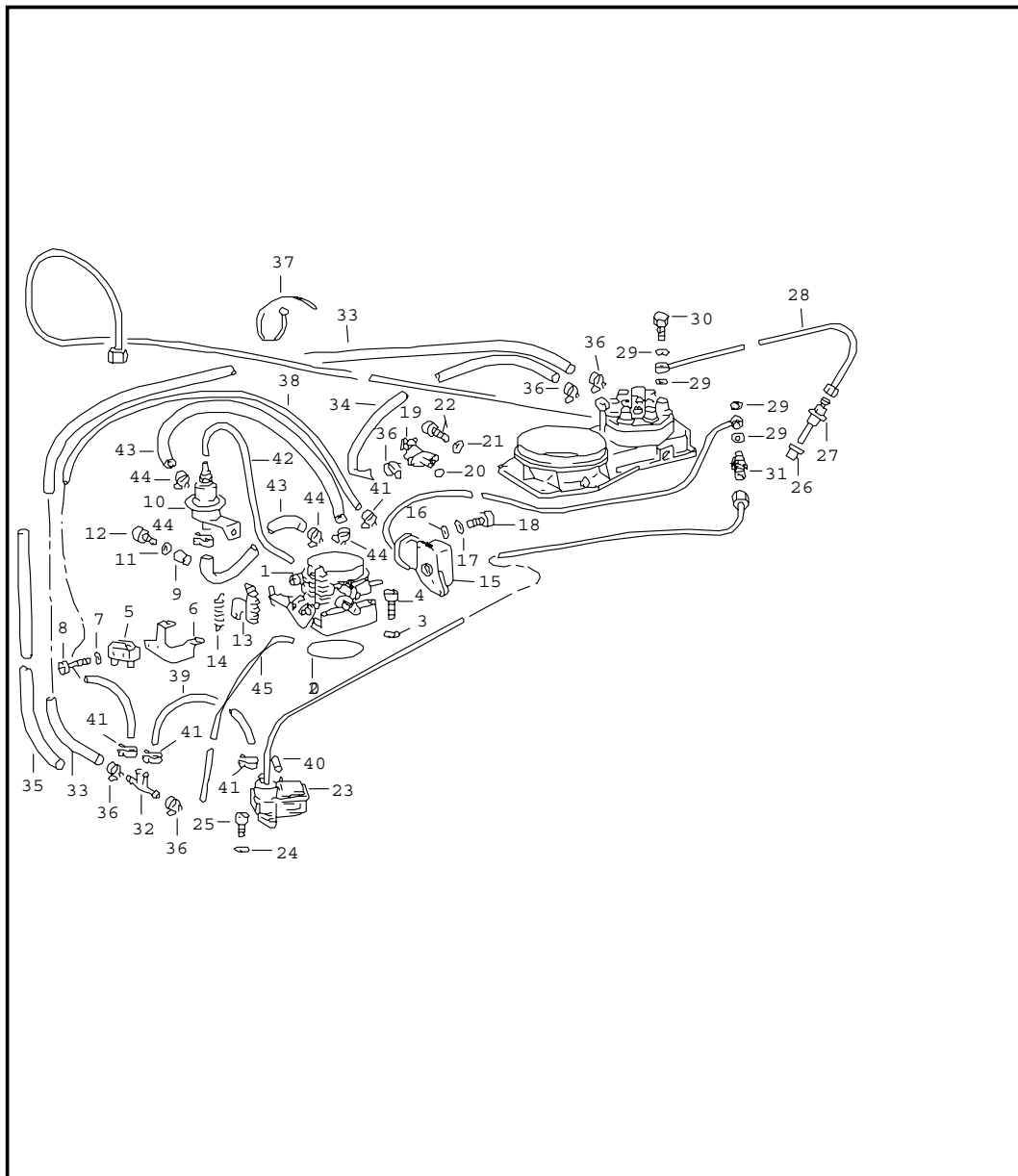


Pos	Part Number	Name	Remarks	Qty	Model
		injection system with air cleaner and mixture control unit	72-		911 T-K
1	911 110 037 01	intake pipe cylinder 1 and cyl. 6		2	
2	911 110 088 01	intake pipe cylinder 5		1	
3	911 110 088 02	intake pipe cylinder 2		1	
-	999 513 002 40	tie-wrap		1	SPM
4	911 110 089 01	intake pipe cyl. 3 and cyl. 4		2	
5	901 108 391 04	gasket see group 1/07/00		6	
6	999 084 601 02	hexagon nut M 8		12	
7	900 025 007 02	washer A 8,4		1	
8	911 110 140 00	housing		1	
9	911 110 885 01	rubber sleeve for intake pipe		6	
10	999 512 195 02	hose clamp S 39/9		6	
11	999 512 196 02	hose clamp S 42/9		6	
12	911 110 185 02	filter element		1	
13	911 110 183 00	cover for air cleaner		1	
14	911 110 365 01	rubber strap for air cleaner		2	

Model	Year	MG	SG	Illustration	Restrictions	Update	11:53	21.08.2006	PORSCHE	PET	PORSCHE
911	73	1	07	107-35		203					

Pos	Part Number	Name	Remarks	Qty	Model	Pos	Part Number	Name	Remarks	Qty	Model
15	911 110 356 01	support cover air cleaner		2		33	900 031 001 02	washer 8,4		1	
16	900 143 126 02	tapping screw BZ 5,5 X 13		2		34	911 110 110 00	lever		1	
17	911 110 133 01	strut		1		35	N 012 241 8	spring washer B 8 X 15		1	
18	911 110 132 00	strut		1		36	900 076 025 02	hexagon nut M 8		1	
19	911 110 154 00	bonded rubber buffer		2		37	911 110 077 01	pull rod complete		1	
20	900 025 007 02	washer A 8,4		2		38	911 110 165 02	tension spring		1	
21	900 151 008 02	washer A 8,4		2		39	911 110 934 00	plug for adjusting screw		1	
22	N 012 241 8	spring washer B 8 X 15		2		40	911 110 358 02	air box		1	
23	900 076 025 02	hexagon nut M 8		2		41	999 512 303 02	hose clamp S 32/9		1	
24	911 110 915 00	mixture control unit with fuel line		1		42	999 512 302 02	hose clamp S 86/9		1	
-	911 110 094 01	fuel line filter mixture control unit		1		43	901 107 729 00	backfire grid		1	
25	911 110 394 02	gasket for mixture control unit		1				- - - E N D - - -			
26	900 067 089 02	pan-head screw M 6 X 25		6							
27	911 110 364 00	compression spring		6							
28	900 031 011 02	washer 6,4		6							
29	911 110 921 00	clamp for damper air flow sensor plate		1							
30	911 110 234 00	bracket		1							
31	901 423 253 00	bearing sleeve		2							
32	911 110 060 01	lever complete		1							

Model	Year	MG	SG	Illustration	Restrictions	Update	11:53	21.08.2006	PORSCHE	PET	PORSCHE
911	73	1	07	107-40		203					



Pos	Part Number	Name	Remarks	Qty	Model
		injection system with fuel line valves throttle housing and warm-up valve	72-		911 T-K
1	911 110 247 01	throttle housing \$ 56		1	
-	911 110 923 00	compression spring		1	
-	911 110 924 00	throttle screw		1	
2	999 701 124 40	o-ring 67,5 X 5		1	
3	N 012 226 5	spring washer B 6		4	
4	900 067 013 02	pan-head screw M 6 X 35		4	
5	911 613 106 00	microswitch		1	
6	911 110 580 00	support		1	
7	900 028 018 01	spring washer B 4		2	
8	900 014 091 02	pan-head screw BM 4 X 25		2	
9	911 110 591 00	spacer sleeve		1	
10	022 133 551	valve		1	
11	N 011 524 7	washer B 6,4		1	
12	900 067 089 02	pan-head screw M 6 X 25		1	
13	911 110 918 00	support complete throttle housing		1	
14	930 110 497 00	tension spring		1	
15	911 110 916 00	throttle valve valve		1	
-	911 110 096 00	fuel line fuel distributor - throttle valve valve		1	

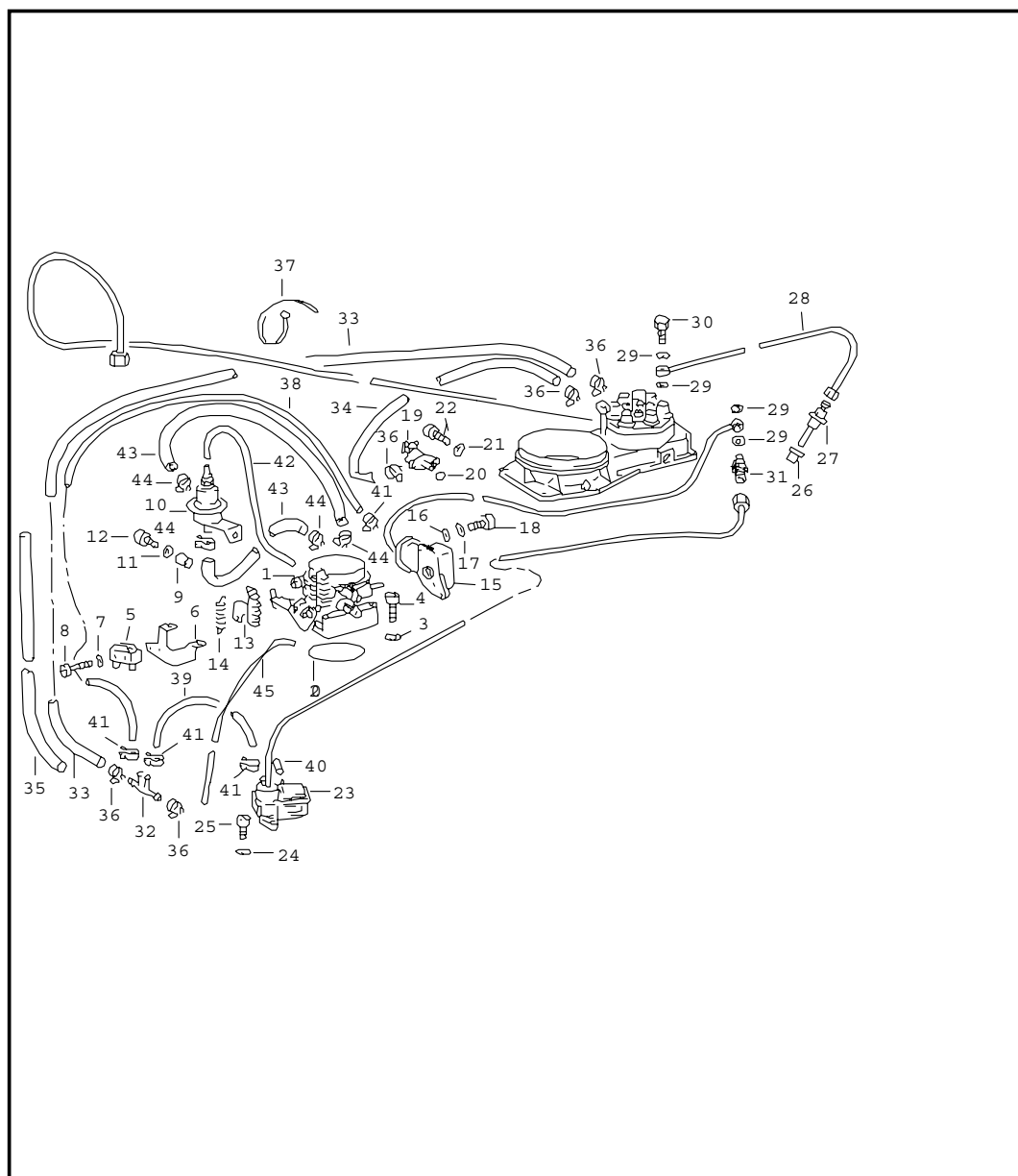
Model	Year	MG	SG	Illustration	Restrictions	Update	11:53	21.08.2006	PORSCHE	PET	PORSCHE
911	73	1	07	107-40		203					

Pos	Part Number	Name	Remarks	Qty	Model	Pos	Part Number	Name	Remarks	Qty	Model
16	N 011 556 2	washer 5,3		2		33	999 181 152 50	fuel hose C 7,5 X 13,5 X 630 mixture control unit - reducing socket		1	
17	N 012 005 3	lock ring B 5		2							
18	900 067 003 02	pan-head screw M 5 X 15		2		34	999 181 265 50	fuel hose C 7,5 X 13,5 X 410 mixture control unit - start valve		1	
19	911 606 101 00	start valve		1							
20	999 701 144 50	o-ring		1							
21	900 028 007 02	spring washer B 5		2		-	999 181 152 50	fuel hose C 7,5 X 13,5		*	
22	900 067 134 02	pan-head screw M 5 X 8		2		35	-	330 MM reducing socket - fuel supply line		1	
23	911 110 927 00	warm-up valve with fuel line		1		36	999 512 160 02	hose clamp 5/13/9		6	
-	911 110 097 01	fuel line mixture control unit - warm-up valve		1		37	999 513 002 40	hose clamp for fuel line		1	
24	N 012 226 5	spring washer A 6		2		-	999 181 167 50	hose C 4,5 X 10,5		*	
25	N 014 740 2	pan-head screw M 6 X 16		2		38	-	360 MM valve throttle valve - distributing piece		1	
26	911 110 922 00	boot for nozzle		6		-	999 181 167 50	hose C 4,5 X 10,5		*	
27	911 110 355 01	injector valve		6		39	-	300 MM warm-up valve - reducing socket		1	
28	911 110 093 00	injection line		6							
(28)	911 110 093 01	injection line for cyl. 4 air conditioner		1		40	911 110 285 00	hose sleeve		1	
29	900 123 050 20	sealing ring A 8 X 11,5		14		41	999 512 082 02	hose clamp S 10,9		4	
30	911 110 899 00	banjo bolt		6		-	999 181 167 50	hose C 4,5 X 9,5		*	
31	911 110 159 00	screw socket		2		42	-	230 MM		1	
32	911 110 134 02	adapter		1		-	999 180 121 50	vacuum hose C 9 X 15		*	
						43	-	190 MM		2	

Model	Year	MG	SG	Illustration	Restrictions	Update	11:53	21.08.2006	PORSCHE	PET	PORSCHE
911	73	1	07	107-40		203					

Pos	Part Number	Name	Remarks	Qty	Model	Pos	Part Number	Name	Remarks	Qty	Model
44	N 023 570 2	hose clamp S 15/9		4							
45	999 180 093 50	hose C 3 X 6,5 X 650		1							
		- - - E N D - - -									

Model	Year	MG	SG	Illustration	Restrictions	Update	11:54	21.08.2006	PORSCHE	PET	PORSCHE
911	73	1	07	107-40		203					



Pos	Part Number	Name	Remarks	Qty	Model
		injection system with fuel line valves throttle housing and warm-up valve	72-		911 T-K
1	911 110 247 01	throttle housing \$ 56		1	
-	911 110 923 00	compression spring		1	
-	911 110 924 00	throttle screw		1	
2	999 701 124 40	o-ring 67,5 X 5		1	
3	N 012 226 5	spring washer B 6		4	
4	900 067 013 02	pan-head screw M 6 X 35		4	
5	911 613 106 00	microswitch		1	
6	911 110 580 00	support		1	
7	900 028 018 01	spring washer B 4		2	
8	900 014 091 02	pan-head screw BM 4 X 25		2	
9	911 110 591 00	spacer sleeve		1	
10	022 133 551	valve		1	
11	N 011 524 7	washer B 6,4		1	
12	900 067 089 02	pan-head screw M 6 X 25		1	
13	911 110 918 00	support complete throttle housing		1	
14	930 110 497 00	tension spring		1	
15	911 110 916 00	throttle valve valve		1	
-	911 110 096 00	fuel line fuel distributor - throttle valve valve		1	

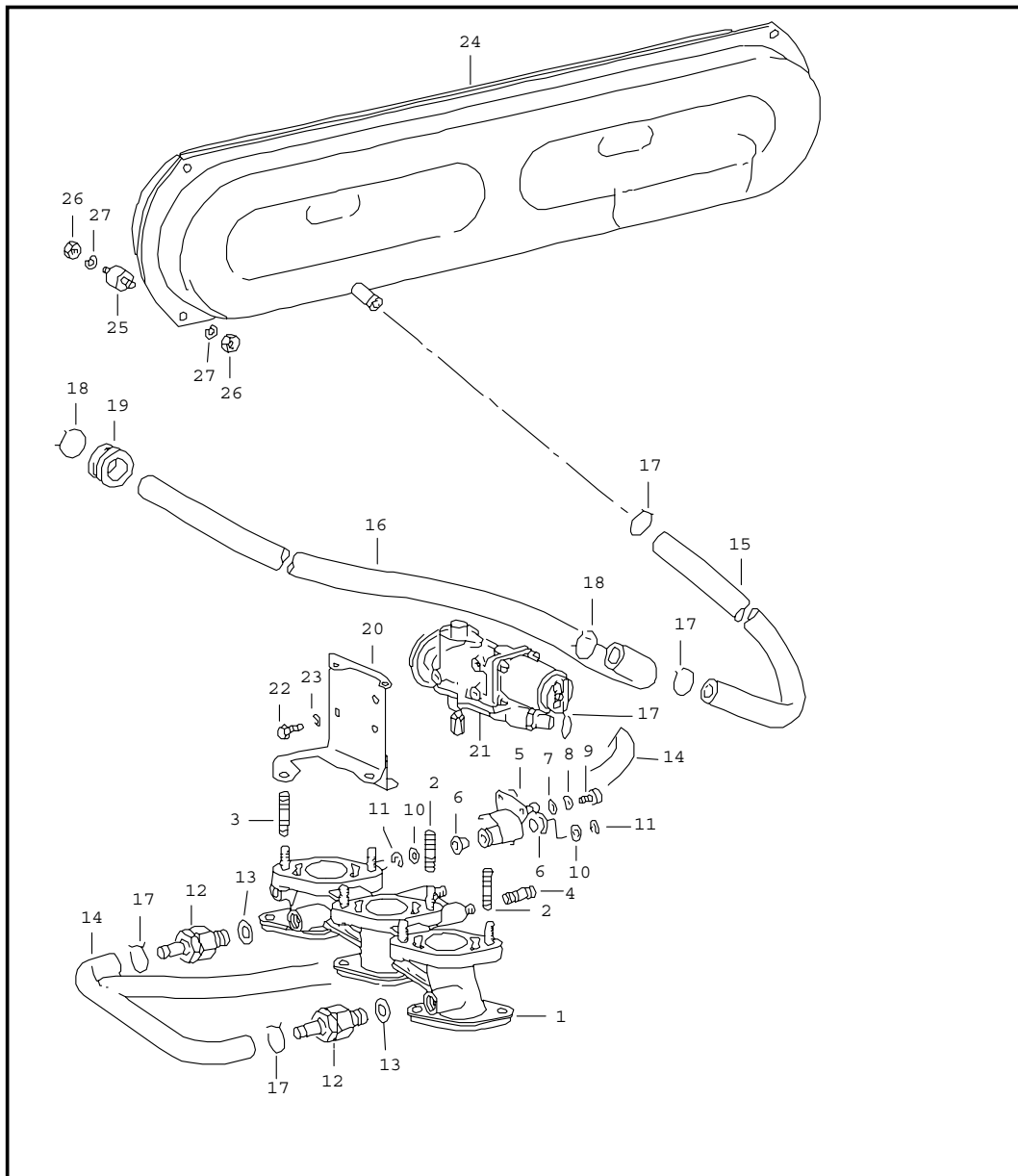
Model	Year	MG	SG	Illustration	Restrictions	Update	11:54	21.08.2006	PORSCHE	PET	PORSCHE
911	73	1	07	107-40		203					

Pos	Part Number	Name	Remarks	Qty	Model	Pos	Part Number	Name	Remarks	Qty	Model
16	N 011 556 2	washer 5,3		2		33	999 181 152 50	fuel hose C 7,5 X 13,5 X 630 mixture control unit - reducing socket		1	
17	N 012 005 3	lock ring B 5		2							
18	900 067 003 02	pan-head screw M 5 X 15		2		34	999 181 265 50	fuel hose C 7,5 X 13,5 X 410 mixture control unit - start valve		1	
19	911 606 101 00	start valve		1							
20	999 701 144 50	o-ring		1							
21	900 028 007 02	spring washer B 5		2		-	999 181 152 50	fuel hose C 7,5 X 13,5		*	
22	900 067 134 02	pan-head screw M 5 X 8		2		35	-	330 MM reducing socket - fuel supply line		1	
23	911 110 927 00	warm-up valve with fuel line		1		36	999 512 160 02	hose clamp 5/13/9		6	
-	911 110 097 01	fuel line mixture control unit - warm-up valve		1		37	999 513 002 40	hose clamp for fuel line		1	
24	N 012 226 5	spring washer A 6		2		-	999 181 167 50	hose C 4,5 X 10,5		*	
25	N 014 740 2	pan-head screw M 6 X 16		2		38	-	360 MM valve throttle valve - distributing piece		1	
26	911 110 922 00	boot for nozzle		6		-	999 181 167 50	hose C 4,5 X 10,5		*	
27	911 110 355 01	injector valve		6		39	-	300 MM warm-up valve - reducing socket		1	
28	911 110 093 00	injection line		6							
(28)	911 110 093 01	injection line for cyl. 4 air conditioner		1		40	911 110 285 00	hose sleeve		1	
29	900 123 050 20	sealing ring A 8 X 11,5		14		41	999 512 082 02	hose clamp S 10,9		4	
30	911 110 899 00	banjo bolt		6		-	999 181 167 50	hose C 4,5 X 9,5		*	
31	911 110 159 00	screw socket		2		42	-	230 MM		1	
32	911 110 134 02	adapter		1		-	999 180 121 50	vacuum hose C 9 X 15		*	
						43	-	190 MM		2	

Model	Year	MG	SG	Illustration	Restrictions	Update	11:54	21.08.2006	PORSCHE	PET	PORSCHE
911	73	1	07	107-40		203					

Pos	Part Number	Name	Remarks	Qty	Model	Pos	Part Number	Name	Remarks	Qty	Model
44	N 023 570 2	hose clamp S 15/9		4							
45	999 180 093 50	hose C 3 X 6,5 X 650		1							
		- - - E N D - - -									

Model	Year	MG	SG	Illustration	Restrictions	Update	11:54	21.08.2006	PORSCHE	PET	PORSCHE
911	73	1	07	107-45		203					

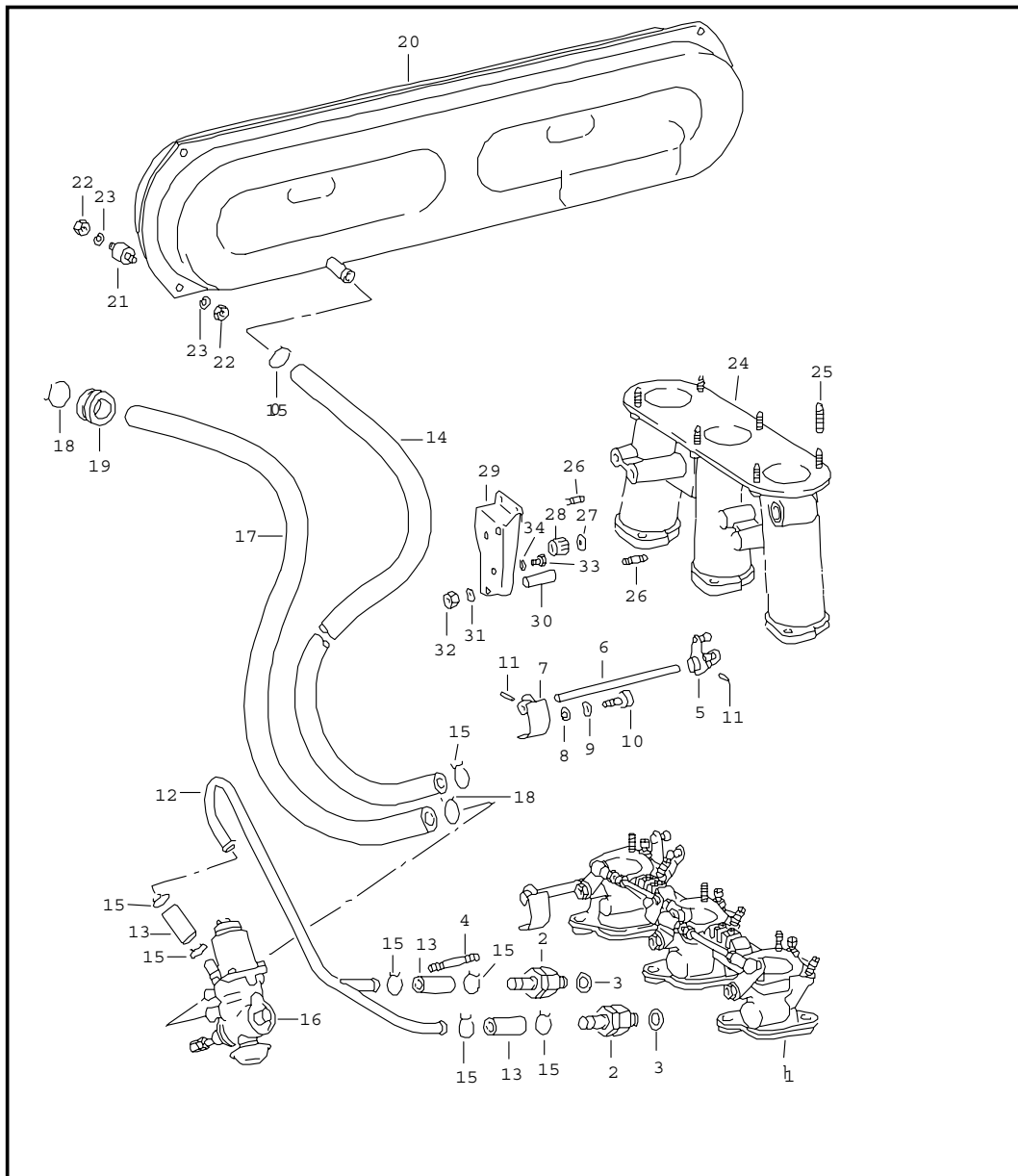


Pos	Part Number	Name	Remarks	Qty	Model
		vacuum system for clutch release	-71		911 T:SPM
1	905 108 031 04	intake manifold complete	/L	1	
2	900 061 007 01	stud BM 8 X 22		8	
3	900 061 007 01	stud BM 8 X 22		4	
4	900 061 022 01	stud M 8 X 12		4	
5	905 108 070 20	reverse lever		1	
6	901 423 253 00	bearing sleeve		2	
7	900 089 011 02	washer 4		1	
8	900 028 018 01	spring washer B 4	-70	1	
(8)	N 012 224 3	spring washer B 4	71-	1	
9	900 067 080 02	pan-head screw M 4 X 10		1	
10	900 031 001 02	washer 8,4		2	
11	900 116 009 01	lock washer 6		2	
12	905 116 725 00	check valve		2	
13	900 123 008 30	sealing ring A 14 X 20		2	
14	905 108 075 00	vacuum hose complete - intake manifold - control valve		1	
15	905 108 702 00	vacuum hose control valve - vacuum tank		1	
16	905 108 703 00	vacuum hose control valve - servo-motor		1	

Model	Year	MG	SG	Illustration	Restrictions	Update	11:54	21.08.2006	PORSCHE	PET	PORSCHE
911	73	1	07	107-45		203					

Pos	Part Number	Name	Remarks	Qty	Model	Pos	Part Number	Name	Remarks	Qty	Model
17	999 512 140 02	hose clamp \$ 19,05		5							
18	999 512 141 02	hose clamp \$ 22,23		2							
19	999 702 064 50	rubber sleeve		1							
20	905 108 034 20	support for start valve and control valve complete		1							
21	905 108 370 00	control valve		1							
22	900 075 010 02	hexagon-head bolt M 6 X 12		3							
23	900 028 008 01	spring washer B 6		3							
24	905 116 033 00	vacuum tank		1							
25	901 504 853 20	bearing		4							
26	900 076 010 02	hexagon nut M 6		8							
27	N 012 007 2	lock ring B 6		8							
		- - - E N D - - -									

Model	Year	MG	SG	Illustration	Restrictions	Update	11:54	21.08.2006	PORSCHE	PET	PORSCHE
911	73	1	07	107-50		203					

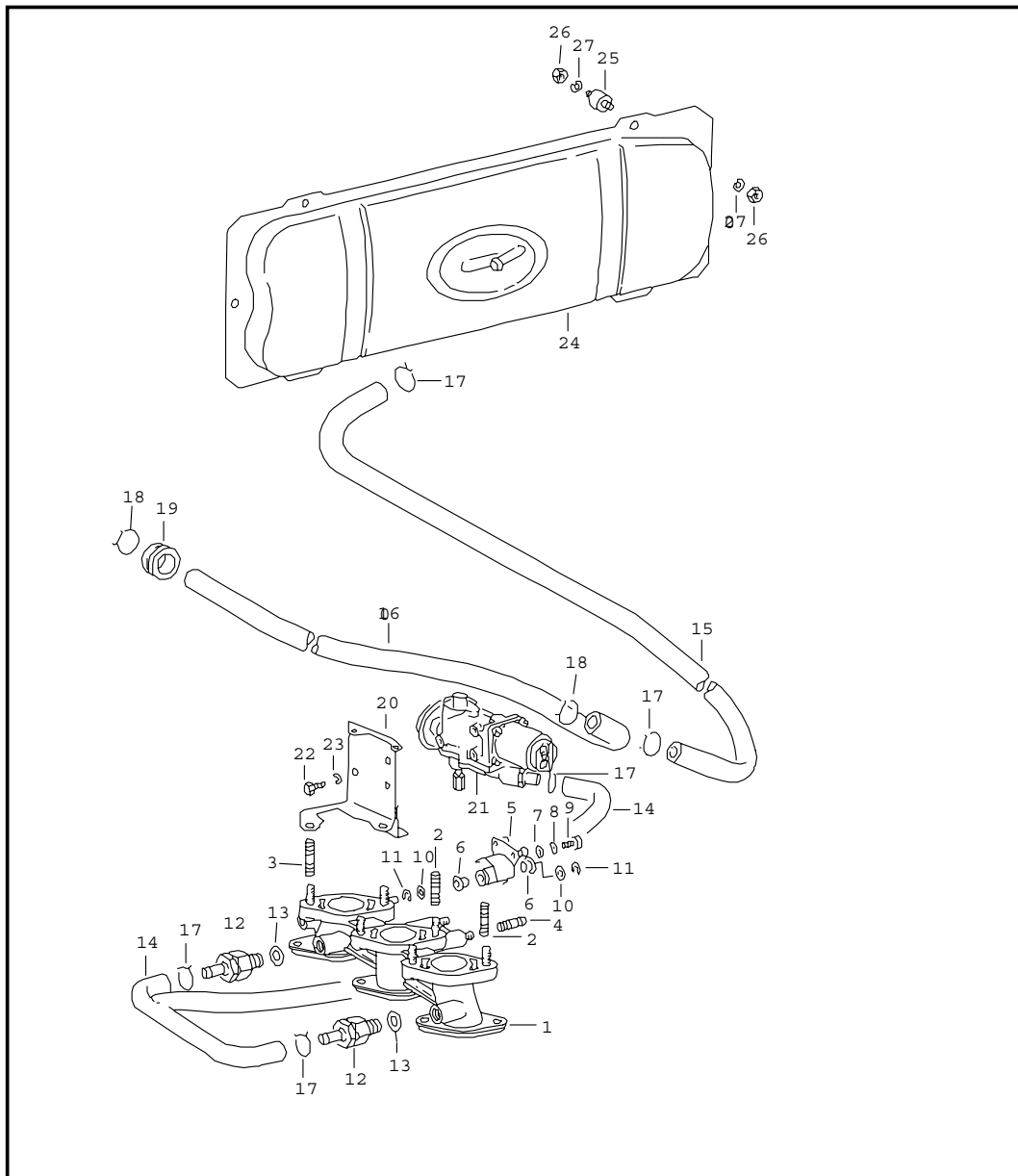


Pos	Part Number	Name	Remarks	Qty	Model
		vacuum system for clutch release injection system	-71		911 E:SPM
1	911 110 083 51	throttle body	/L -70	1	
(1)	911 110 083 50	throttle body	/L 71-	1	
2	905 116 725 00	check valve		2	
3	900 123 008 30	sealing ring A 14 X 20		2	
4	999 062 123 02	stud BM 6 X 45		1	
5	901 110 077 00	reverse lever complete		1	
6	905 108 402 00	shaft		1	
7	905 108 032 01	disc cam complete		1	
8	900 089 011 02	washer 4		1	
9	900 028 018 01	spring washer B 4	-70	1	
(9)	N 012 224 3	spring washer B 4	71-	1	
10	900 067 080 02	pan-head screw M 4 X 10		1	
11	900 308 002 00	clamping pin 2,5 X 14		2	
12	905 108 704 00	vacuum line intake manifold - control valve		1	
13	905 108 707 00	connecting hose		3	
-	999 180 029 50	hose		*	
14	905 108 702 01	vacuum hose control valve - vacuum tank		1	
15	999 512 140 02	hose clamp \$ 19,05		8	
16	905 108 370 00	control valve		1	

Model	Year	MG	SG	Illustration	Restrictions	Update	11:54	21.08.2006	PORSCHE	PET	PORSCHE
911	73	1	07	107-50		203					

Pos	Part Number	Name	Remarks	Qty	Model	Pos	Part Number	Name	Remarks	Qty	Model
17	905 108 703 00	vacuum hose control valve - servo-motor		1							
18	999 512 141 02	hose clamp \$ 22,23		2							
19	999 702 064 50	rubber sleeve		1							
20	905 116 033 00	vacuum tank		1							
21	901 504 853 20	bearing		4							
22	900 076 010 02	hexagon nut M 6		8							
23	900 027 014 01	lock ring B 6		8							
24	911 110 031 01	intake pipe complete	/L	1							
25	999 061 079 01	stud		6							
26	900 061 055 01	stud BM 6 X 12		4							
27	900 234 019 01	shim 12 X 18 X 1		1							
28	999 201 035 00	needle sleeve 12 X 18 X 16		1							
29	905 108 331 00	support for control valve		1							
30	905 108 333 00	spacer sleeve		1							
31	900 028 008 01	spring washer B 6		3							
32	900 076 010 02	hexagon nut M 6		3							
33	900 075 010 02	hexagon-head bolt M 6 X 12		3							
34	900 028 008 01	spring washer B 6		3							
		- - - E N D - - -									

Model	Year	MG	SG	Illustration	Restrictions	Update	11:54	21.08.2006	PORSCHE	PET	PORSCHE
911	73	1	07	107-55		203					

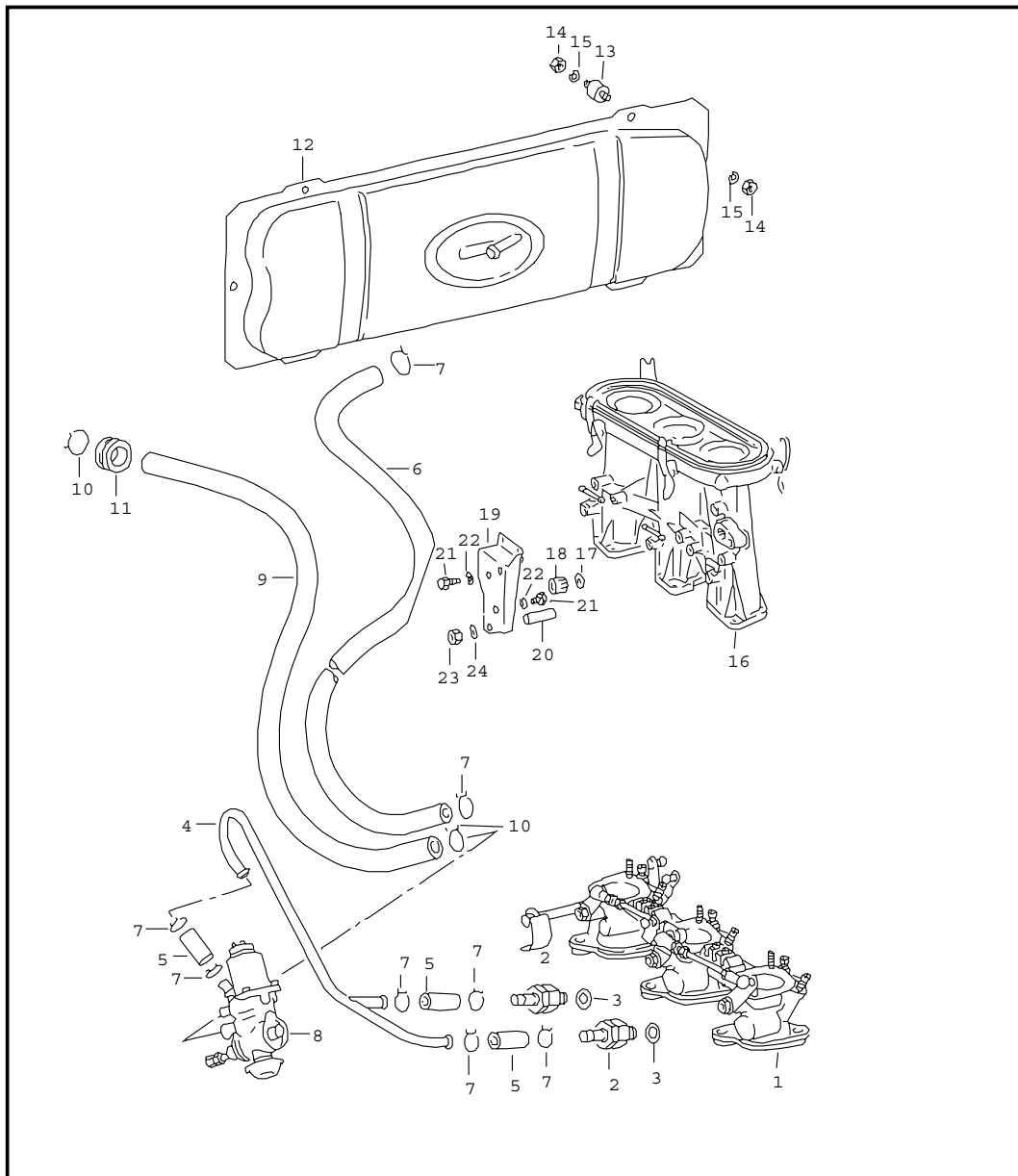


Pos	Part Number	Name	Remarks	Qty	Model
		vacuum system for clutch release	72-		911 T-V:SPM
1	905 108 031 04	intake manifold complete	/L	1	
2	900 061 007 01	stud BM 8 X 22		4	
3	900 061 007 01	stud BM 8 X 22		2	
4	900 061 022 01	stud M 8 X 12		4	
5	905 108 070 20	reverse lever		1	
6	901 423 253 00	bearing sleeve		2	
7	900 089 011 02	washer 4		1	
8	N 012 224 3	spring washer B 4		1	
9	900 067 080 02	pan-head screw M 4 X 10		1	
10	900 031 001 02	washer 8,4		2	
11	900 116 009 01	lock washer 6		2	
12	905 116 725 00	check valve		2	
13	900 123 008 30	sealing ring A 14 X 20		2	
14	905 108 075 00	vacuum hose complete intake manifold - control valve		1	
15	905 108 702 00	vacuum hose control valve - vacuum tank		1	
16	905 108 703 00	vacuum hose control valve - servo-motor		1	
17	999 512 140 02	hose clamp \$ 19,05		5	

Model	Year	MG	SG	Illustration	Restrictions	Update	11:54	21.08.2006	PORSCHE	PET	PORSCHE
911	73	1	07	107-55		203					

Pos	Part Number	Name	Remarks	Qty	Model	Pos	Part Number	Name	Remarks	Qty	Model
18	999 512 141 02	hose clamp \$ 22,23		2							
19	999 702 064 50	rubber sleeve		1							
20	905 108 034 20	support for control valve complete		1							
21	905 108 370 00	control valve		1							
22	900 075 010 02	hexagon-head bolt M 6 X 12		3							
23	N 012 226 5	spring washer B 6		3							
24	911 116 033 00	vacuum tank		1							
25	901 504 853 20	bearing		4							
26	900 076 010 02	hexagon nut M 6		8							
27	N 012 007 2	lock ring B 6		8							
		- - - E N D - - -									

Model	Year	MG	SG	Illustration	Restrictions	Update	11:54	21.08.2006	PORSCHE	PET	PORSCHE
911	73	1	07	107-60		203					

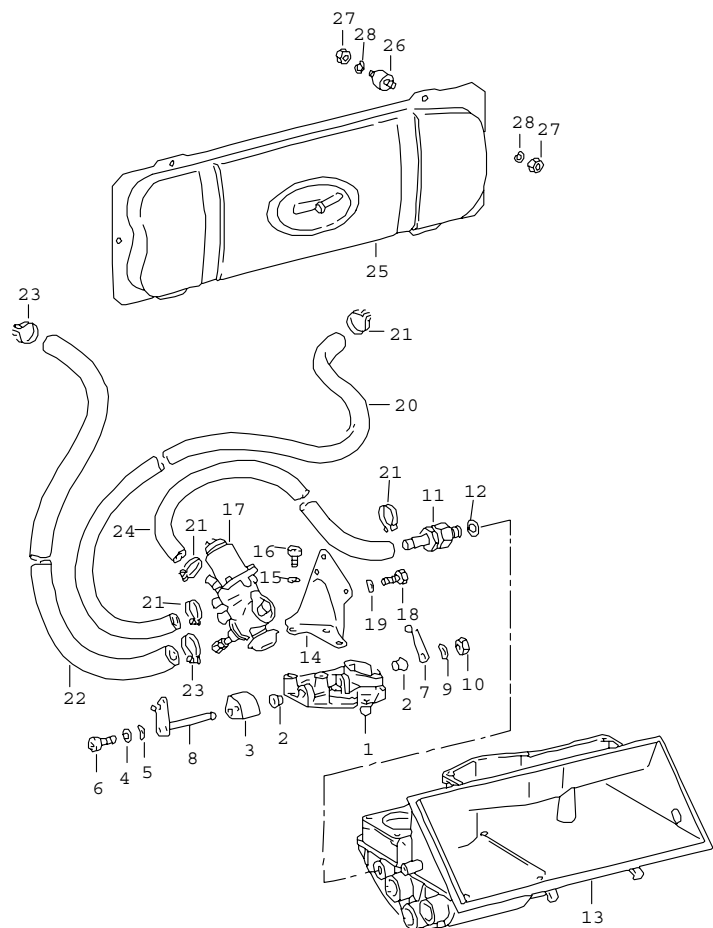


Pos	Part Number	Name	Remarks	Qty	Model
		vacuum system for clutch release injection system for sportomatic	72-		911 T-E/S CARRERA 2.7
1	911 110 081 11	throttle body	/L 72-	1	911 T-E
(1)	911 110 083 11	throttle body	/L 72-	1	911 E
(1)	911 110 085 11	throttle body	/L 72-	1	911 S CARRERA 2.7
2	905 116 725 00	check valve		2	
3	900 123 008 30	sealing ring A 14 X 20		2	
4	905 108 704 00	vacuum line intake manifold - control valve		1	
5	905 108 707 00	connecting hose		3	
-	999 180 029 50	hose		*	
6	905 108 702 01	vacuum hose control valve - vacuum tank		1	
7	999 512 140 02	hose clamp \$ 19,05		8	
8	905 108 370 01	control valve		1	
9	905 108 703 00	vacuum hose control valve - servo-motor		1	
10	999 512 141 02	hose clamp \$ 22,23		2	
11	999 702 064 50	rubber sleeve		1	
12	911 116 033 00	vacuum tank		1	
13	901 504 853 20	bearing		4	
14	900 076 010 02	hexagon nut M 6		8	
15	900 027 014 01	lock ring B 6		8	

Model	Year	MG	SG	Illustration	Restrictions	Update	11:54	21.08.2006	PORSCHE	PET	PORSCHE
911	73	1	07	107-60		203					

Pos	Part Number	Name	Remarks	Qty	Model	Pos	Part Number	Name	Remarks	Qty	Model
16	911 110 063 02	intake pipe complete	/L	1							
17	900 234 019 01	shim 12 X 18 X 1		1							
18	999 201 035 00	needle sleeve 12 X 18 X 16		1							
19	905 108 331 00	support for control valve		1							
20	905 108 333 00	spacer sleeve		1							
21	900 075 010 02	hexagon-head bolt M 6 X 12		5							
22	N 012 226 5	spring washer B 6		5							
23	900 076 010 02	hexagon nut M 6		3							
24	N 012 226 5	spring washer B 6		3							
		- - - E N D - - -									

Model	Year	MG	SG	Illustration	Restrictions	Update	11:55	21.08.2006	PORSCHE	PET	PORSCHE
911	73	1	07	107-65		203					

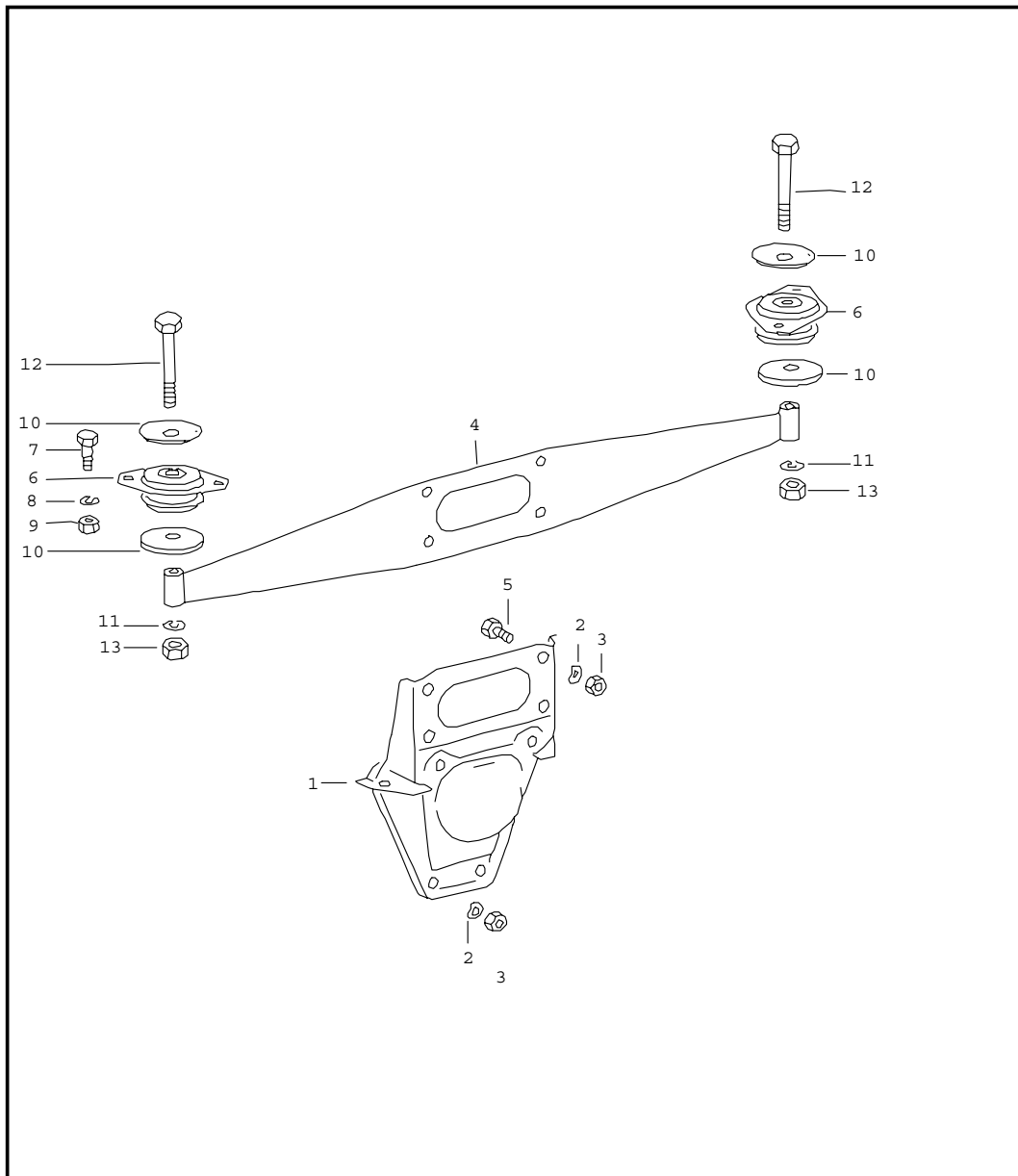


Pos	Part Number	Name	Remarks	Qty	Model
		vacuum system for clutch release	72-		911 T-K
1	911 110 234 00	bracket		1	
2	901 423 253 00	bearing sleeve		2	
3	911 125 027 01	disc cam		1	SPM
4	900 089 011 02	washer 4		1	SPM
5	N 012 224 3	spring washer B 4		1	SPM
6	900 067 080 02	pan-head screw M 4 X 10		1	SPM
7	911 110 110 00	lever		1	
8	911 110 060 01	lever complete		1	
9	N 012 241 8	spring washer B 8 X 15		1	
10	900 076 025 02	hexagon nut M 8		1	
11	905 116 725 00	check valve		1	SPM
12	900 123 007 70	sealing ring A 14 X 18		1	SPM
13	911 110 140 00	housing air cleaner		1	
14	911 125 331 01	support for control valve		1	SPM
15	N 012 241 8	spring washer B 8 X 15		3	SPM
16	N 014 707 2	pan-head screw M 8 X 15		3	SPM
17	905 108 370 00	control valve		1	SPM
18	900 075 010 02	hexagon-head bolt M 6 X 12		3	SPM
19	N 012 226 5	spring washer B 6		3	SPM

Model	Year	MG	SG	Illustration	Restrictions	Update	11:55	21.08.2006	PORSCHE	PET	PORSCHE
911	73	1	07	107-65		203					

Pos	Part Number	Name	Remarks	Qty	Model	Pos	Part Number	Name	Remarks	Qty	Model
20	911 125 703 00	vacuum hose 12 X 3,5 X 450 control valve - vacuum tank		1	SPM						
21	999 512 056 02	hose clamp S 18/9		4	SPM						
22	999 181 282 50	vacuum hose 15 X 3,5 X 350 control valve - servo-motor		1	SPM						
23	N 023 565 3	hose clamp S 21/9		1	SPM						
24	999 181 282 50	vacuum hose 12 X 3,5 X 360		1	SPM						
25	911 116 033 00	vacuum tank		1	SPM						
26	901 504 853 20	bearing		4	SPM						
27	900 076 010 02	hexagon nut M 6		8	SPM						
28	900 027 014 01	lock ring B 6		8	SPM						
		- - - E N D - - -									

Model	Year	MG	SG	Illustration	Restrictions	Update	11:55	21.08.2006	PORSCHE	PET	PORSCHE
911	73	1	09	109-00		203					



Pos	Part Number	Name	Remarks	Qty	Model
		engine suspension rear			911
1	901 115 014 04	bracket M 090 9001 >>		1	
2	N 012 242 3	spring washer B 10 X 18		8	
3	900 157 002 02	hexagon nut M 10		8	
4	930 375 011 01	bracket		1	
5	900 156 006 02	hexagon-head bolt M 10 X 18		4	
6	911 375 043 00	bearing	-70	2	
(6)	911 375 043 00	bearing	71-	2	
7	N 010 335 5	hexagon-head bolt M 8X35		4	
8	900 027 015 02	lock ring B 8		4	
9	900 076 025 02	hexagon nut M 8		4	
10	901 305 311 00	seat		4	
11	999 523 109 02	lock washer M 12		2	
12	900 082 026 01	hexagon-head bolt M 12 X 1,5 X 92		2	
13	900 076 016 02	hexagon nut M 12 X 1,5		2	
- - - E N D - - -					

Model	Year	MG	SG	Illustration	Restrictions	Update	11:55	21.08.2006
911	73	1	98	198-00		203		

Pos	Part Number	Name	Remarks	Qty	Model
>>	> 911 100 903 00	set of seals piston rings gasket set for engine with - ZENITH - carburetor comprising:	-71 72-	X	911 T 911 T-V
-	999 704 172 50	sealing ring		5	
-	999 701 006 40	o-ring		24	
-	999 113 057 52	radial sealing ring 65 X 85 X 10		1	
-	999 113 049 50	radial sealing ring 30 X 50 X 10		1	
-	900 174 041 40	sealing ring		1	
-	901 101 391 00	sealing ring for oil strainer		2	
-	900 123 011 30	sealing ring A 22 X 27 AL		4	
-	901 104 391 01	cylinder head gasket		6	
-	901 104 191 00	cylinder base gasket		6	
-	901 104 193 00	valve stem seal		12	
-	901 105 193 03	gasket for crank - chain case		2	
-	901 105 197 00	gasket for sealing ring		2	
-	999 701 124 40	o-ring 67,5 X 75,4 X 4		2	
-	901 105 191 03	gasket for chain case	/L	1	
-	901 105 192 03	gasket for chain case	/R	1	
-	901 105 194 03	gasket for camshaft housing upper		2	

Model	Year	MG	SG	Illustration	Restrictions	Update	11:55	21.08.2006
911	73	1	98	198-00		203		

Pos	Part Number	Name	Remarks	Qty	Model
-	901 105 195 04	gasket for camshaft housing lower		2	
-	901 105 198 04	gasket for cover		1	
-	900 123 008 30	sealing ring A 14 X 20 AL		3	
-	900 123 005 30	sealing ring A 12 X 16 AL		12	
-	900 123 044 30	sealing ring A 18 X 22 CU		2	
-	900 123 066 30	sealing ring A 10 X 16 ALMG		8	
-	999 701 596 40	o-ring 8,3 X 2,4		2	
-	999 701 596 40	o-ring 20,3 X 2,4		2	
-	900 123 061 20	sealing ring A 6,5 X 9,5 CU		2	
-	999 704 173 50	sealing ring		2	
-	999 701 100 50	o-ring		1	
-	900 123 071 30	sealing ring A 18 X 24 AL MG		2	
-	999 701 113 50	o-ring		8	
-	999 701 053 50	sealing ring 39,2 X 3		1	
-	905 107 191 02	gasket		1	
-	999 701 135 50	o-ring		1	
-	901 107 791 01	gasket for bleeder		1	
-	900 123 043 30	sealing ring A 12 X 15,5	-71	3	911 T
-	900 123 006 30	sealing ring A 12 X 15,5	72-	3	911 T-V
-	900 123 007 70	sealing ring for bleeder A 143 X 18 IT		1	

Model	Year	MG	SG	Illustration	Restrictions	Update	11:55	21.08.2006
911	73	1	98	198-00		203		

Pos	Part Number	Name	Remarks	Qty	Model
-	901 108 391 04	gasket for intake manifold		6	
-	901 108 398 01	gasket for carburetor		6	
-	901 111 193 00	gasket		2	
-	930 111 191 13	gasket		6	
-	900 123 008 30	sealing ring A 14 X 20 AL	-71	2	911 T
-	900 123 008 30	sealing ring A 14 X 20 AL	72-	2	911 T-V
-	911 602 102 01	sealing ring	72-	1	911 T-V
-	999 701 101 50	sealing ring	-71	1	911 T
-	900 123 007 30	sealing ring A 14 X 18 AL		2	
-	901 108 976 00	sealing ring		6	
-	911 100 932 00	sealing ring		4	
-	911 100 963 00	sealing ring		4	
-	911 100 965 00	sealing ring		4	
-	911 100 968 00	sealing ring		8	
-	PCG 100 973 00	gasket for cover		2	
-	911 100 977 00	gasket		2	
-	911 100 998 02	sealing ring		1	
-	911 100 998 00	gasket		4	
-	900 031 014 30	washer 8,4 AL for camshaft housing lower	-71 72-	11 34	911 T 911 T-V
-	900 031 011 30	washer 6,4 AL		21	911 T-V
>>	> 911 100 901 00	gasket set for with injection system comprising:	72-	X	911 T-K

Model	Year	MG	SG	Illustration	Restrictions	Update		
911	73	1	98	198-00		203	11:55	21.08.2006

Pos	Part Number	Name	Remarks	Qty	Model
-	900 123 007 30	sealing ring A 14 X 18 AL		1	
-	999 704 172 50	sealing ring		5	
-	999 701 006 40	o-ring		24	
-	999 113 057 52	radial sealing ring		1	
-	900 174 041 40	sealing ring		1	
-	900 123 044 30	sealing ring A 18 X 22 AL		1	
-	901 101 391 00	gasket for oil strainer		2	
-	900 123 011 20	sealing ring A 22 X 27 CU		1	
-	999 113 049 50	radial sealing ring		1	
-	908 104 391 00	cylinder head gasket		6	
-	901 104 191 00	cylinder base gasket		6	
-	911 104 193 00	valve stem seal		12	
-	901 105 193 03	gasket for - chain case		2	
-	900 123 066 30	sealing ring A 10 X 16 AL		8	
-	999 701 596 40	o-ring 8,3 X 2,4		2	
-	999 701 596 40	o-ring 20,3 X 2,4		2	
-	999 701 298 40	o-ring 10 X 1,3		2	
-	900 123 061 20	sealing ring A 6,5 X 9,5 CU		2	
-	901 105 197 00	gasket for sealing ring		3	
-	999 701 124 40	o-ring 67,5 X 75,4 X 4		3	
-	901 105 191 03	gasket for chain case	/L	1	

Model	Year	MG	SG	Illustration	Restrictions	Update	11:55	21.08.2006
911	73	1	98	198-00		203		

Pos	Part Number	Name	Remarks	Qty	Model
-	901 106 192 03	gasket for chain case	/R	1	
-	900 123 005 30	sealing ring A 12 X 16 AL		11	
-	901 105 194 03	gasket for camshaft housing upper		2	
-	901 105 195 04	gasket for camshaft housing lower		2	
-	901 105 198 04	gasket for cover		1	
-	999 704 173 50	sealing ring		2	
-	900 123 011 30	gasket A 22 X 27 AL		1	
-	999 701 113 50	o-ring		8	
-	999 701 053 50	sealing ring 39,2 X 3		1	
-	900 123 043 30	sealing ring A 12 X 15,5 AL		1	
-	911 107 710 00	sealing ring		1	
-	900 123 071 30	sealing ring A 18 X 24 AL		2	
-	901 107 791 01	gasket for bleeder		1	
-	901 108 391 04	gasket for intake pipe		6	
-	911 110 394 02	gasket for mixture control unit		1	
-	900 123 050 20	sealing ring A 8 X 11,5 CU		14	
-	900 123 008 30	sealing ring A 14 X 20 AL		1	
-	999 701 144 50	o-ring OR 6-2 37 PAB/769		1	
-	901 111 193 00	gasket		2	

Model	Year	MG	SG	Illustration	Restrictions	Update	11:55	21.08.2006
911	73	1	98	198-00		203		

Pos	Part Number	Name	Remarks	Qty	Model
-	905 107 191 02	gasket		1	
-	999 701 135 50	o-ring R 15 X 2,5		1	
-	900 123 006 30	sealing ring A 12 X 18 AL		2	
-	900 123 007 70	sealing ring A 14 X 18 IT		1	
-	930 111 191 13	gasket		6	
-	911 602 102 01	sealing ring		1	
-	900 031 014 30	washer 8,4 AL for camshaft housing cover lower		34	
-	900 031 011 30	washer 6,4 AL		21	
>>	> 911 100 905 00	gasket set for engine with injection system comprising:	70- 72-	X	911 E/S 911 T-E
-	999 704 172 50	sealing ring		5	
-	999 701 006 40	o-ring		24	
-	999 113 057 52	radial sealing ring 65 X 85 X 10		1	
-	999 113 049 50	radial sealing ring 30 X 50 X 10		1	
-	900 174 041 40	sealing ring		1	
-	901 101 391 00	sealing ring for oil strainer		2	
-	900 123 011 30	sealing ring A 22 X 27 AL		10	
-	901 104 391 01	cylinder head gasket		6	
-	901 104 191 00	cylinder base gasket		6	
-	911 104 193 00	valve stem seal		12	

Model	Year	MG	SG	Illustration	Restrictions	Update	11:55	21.08.2006
911	73	1	98	198-00		203		

Pos	Part Number	Name	Remarks	Qty	Model
-	901 105 193 03	gasket for crank - chain case		2	
-	901 105 197 00	gasket for sealing ring		2	
-	999 701 124 40	o-ring 67,5 X 75,4 X 4		2	
-	901 105 191 03	gasket for chain case	/L	1	
-	901 105 192 03	gasket for chain case	/R	1	
-	901 105 194 03	gasket for camshaft housing upper		2	
-	901 105 195 04	gasket for camshaft housing lower		2	
-	901 105 198 04	gasket for cover		1	
-	900 123 008 30	sealing ring A 14 X 20 AL		3	
-	900 123 005 30	sealing ring A 12 X 16 AL		12	
-	900 123 044 30	sealing ring A 18 X 22 CU		2	
-	900 123 066 30	sealing ring A 10 X 16		8	
-	999 701 596 40	o-ring 8,3 X 2,4	-71	2	911 E/S
-	999 701 596 40	o-ring 8,3 X 2,4	72-	2	911 T-E/E/S
-	999 701 596 40	o-ring 20,3 X 2,4	-71	2	911 E/S
-	999 701 596 40	o-ring 20,3 X 2,4	72-	2	911 T-E/E/S
-	900 123 061 20	sealing ring A 6,5 X 9,5 CU		2	

PORSCHE

PET

PORSCHE

Model	Year	MG	SG	Illustration	Restrictions	Update	11:55	21.08.2006
911	73	1	98	198-00		203		

Pos	Part Number	Name	Remarks	Qty	Model
-	999 113 068 50	radial sealing ring BA 35 X 47 X 7		1	
-	999 704 173 50	sealing ring		2	
-	999 701 100 50	o-ring		1	
-	900 123 071 30	sealing ring A 18 X 24		3	
-	901 107 717 00	sealing ring		2	
-	999 701 113 50	o-ring		8	
-	999 701 053 50	sealing ring 39,2 X 3		1	
-	999 113 099 40	radial sealing ring BA SI 12,7 X 22 X 6 12,7 X 22,6	-71 72-	1	911 E 911 T-E/E/S
-	905 107 191 02	gasket	-71 72-	1	911 E 911 T-E/E/S
-	999 701 135 50	o-ring		1	
-	901 107 791 01	gasket for bleeder		1	
-	900 123 006 30	sealing ring A 12 X 18 AL	72-	3	911 T-E/E/S
-	900 123 043 30	sealing ring A 12 X 15,5 AL		3	
-	900 123 007 70	sealing ring for bleeder		1	
-	901 111 193 00	gasket		2	
-	930 111 191 13	gasket		6	
-	901 110 192 00	gasket	-71	2	911 E/S
-	N 013 812 2	sealing ring A 12 X 15,5 CU		6	
-	911 602 102 01	sealing ring	72-	1	911 T-E/E/S
-	999 701 101 50	sealing ring		1	
-	900 123 007 30	sealing ring A 14 X 18 AL		2	
-	901 108 391 04	gasket for throttle body	70- 72-	6	911 E 911 T-E

Model	Year	MG	SG	Illustration	Restrictions	Update	11:55	21.08.2006
911	73	1	98	198-00		203		

Pos	Part Number	Name	Remarks	Qty	Model
-	901 108 391 05	gasket for throttle body	70-	6	911 S
-	911 110 191 01	gasket for intake pipe		6	
-	901 108 994 00	sealing ring	-71	4	911 E/S
-	911 108 911 00	sealing ring	72-	4	911 T-E/E/S
-	900 123 033 20	sealing ring A 10 X 13,5 CU		1	
-	N 013 849 2	sealing ring	-71 72-	1	911 E/S 911 T-E/E/S
-	901 110 922 00	plate		1	
-	900 031 014 30	washer 8,4AL for camshaft housing cover lower	-71 72-	11 34	911 E/S 911 T-E/E/S
-	900 031 011 30	washer 6,4 AL	72-	21	911 T-E/E/S
>>	> 911 100 907 00	gasket set for engine with injection system comprising:	72-	1	CARRERA 2.7
-	900 123 007 30	sealing ring 14 X 18 AL		1	
-	999 704 172 50	sealing ring		5	
-	999 701 006 40	o-ring		24	
-	999 113 057 52	radial sealing ring 65 X 85 X 10		1	
-	901 101 391 00	gasket for oil strainer		2	
-	900 123 011 30	sealing ring A 22 X 27 AL		2	
-	999 113 049 50	radial sealing ring 30 X 50 X 10		1	
-	900 174 041 40	sealing ring R 50 X 4		1	
-	911 104 192 00	cylinder base gasket		6	

Model	Year	MG	SG	Illustration	Restrictions	Update	11:55	21.08.2006
911	73	1	98	198-00		203		

Pos	Part Number	Name	Remarks	Qty	Model
-	912 104 314 00	cylinder head gasket		6	
-	911 104 193 00	valve stem seal		12	
-	901 105 193 03	gasket		2	
-	900 123 066 30	sealing ring A 10 X 16 AL MG SI		8	
-	999 701 596 40	o-ring OR 8,3 - 2,4		2	
-	999 701 596 40	o-ring OR 20 -2,4		2	
-	999 701 298 40	o-ring OR 10 - 1,3		2	
-	900 123 061 20	sealing ring A 6,5 X 9,5 CU		2	
-	901 105 197 00	gasket for sealing ring		2	
-	999 701 124 40	o-ring 67,5 X 75,5 X 4		2	
-	901 105 191 03	gasket		1	
-	901 105 192 03	gasket		1	
-	900 123 005 30	sealing ring A 12 X 16 AL		10	
-	999 113 068 50	radial sealing ring		1	
-	901 105 194 03	gasket for camshaft housing cover upper		2	
-	901 105 195 04	gasket for camshaft housing cover lower		2	
-	901 105 198 04	gasket for cover		1	
-	999 704 173 50	sealing ring		2	
-	900 123 011 30	sealing ring A 22 X 27 AL		1	
-	900 123 044 30	sealing ring A 18 X 22 CU		2	

PORSCHE

PET

PORSCHE

Model	Year	MG	SG	Illustration	Restrictions	Update	11:55	21.08.2006
911	73	1	98	198-00		203		

Pos	Part Number	Name	Remarks	Qty	Model
-	999 701 113 50	o-ring R 25 - 6		8	
-	999 701 053 50	sealing ring 39,2 X 3		1	
-	900 123 071 30	sealing ring A 18 X 24 AL		2	
-	901 107 791 01	gasket for bleeder		1	
-	999 701 100 50	o-ring R 72 - 4		1	
-	900 123 136 30	sealing ring A 42 X 49 AL		1	
-	N 013 812 2	sealing ring A 12 X 15,5 CU		6	
-	901 108 391 05	gasket		6	
-	901 108 214 03	gasket		2	
-	911 110 191 01	gasket		6	
-	901 111 193 00	gasket		2	
-	999 113 099 40	radial sealing ring		1	
-	905 107 191 02	gasket		1	
-	900 123 008 30	gasket A 14 X 20 AL		3	
-	900 123 043 30	sealing ring A 12 X 15,5 AL		1	
-	999 701 135 50	o-ring R 15 X 2,5		1	
-	930 111 191 13	gasket		6	
-	911 602 102 01	sealing ring		1	
-	900 123 007 70	sealing ring A 14 X 18 IT		1	
-	N 013 808 3	sealing ring A 10 X 16 CU		1	
-	901 108 911 00	sealing ring		4	
-	900 123 033 20	sealing ring A 10 X 13,5 CU		1	
-	N 013 849 2	sealing ring A 14 X 18 CU		1	

Model	Year	MG	SG	Illustration	Restrictions	Update	11:55	21.08.2006
911	73	1	98	198-00		203		

Pos	Part Number	Name	Remarks	Qty	Model
-	901 110 922 00	plate		1	
-	900 031 014 30	washer 8,4 AL		34	
-	900 031 011 30	washer 6,4 AL		21	
>>	> 911 108 948 00	gasket set for - ZENITH 40 TIN - carburetor TYP 911/57/67 comprising:	-71 72-	X	911 T 911 T-V
-	901 108 398 01	gasket for carburetor		6	
-	901 108 976 00	sealing ring		6	
-	911 100 932 00	sealing ring		4	
-	911 100 937 00	diaphragm complete		6	
-	911 100 963 00	sealing ring		4	
-	911 100 965 00	sealing ring		4	
-	911 100 968 00	sealing ring		8	
-	PCG 100 973 00	gasket		2	
-	911 100 977 00	gasket for connecting piece		2	
-	911 100 937 01	diaphragm		2	
-	911 100 989 00	o-ring		2	
-	911 100 998 02	sealing ring		1	
-	911 100 998 00	gasket		4	
>>	> 911 103 901 01	set of piston rings for - mahle - piston \$ 84 MM TYP 911/01/04 and TYP 911/03/06/07/08	-71	X	911 T/E
>>	> 911 103 901 26	set of piston rings for piston \$ 84,25 MM	-71	X	911 T/E

Model	Year	MG	SG	Illustration	Restrictions	Update	11:55	21.08.2006
911	73	1	98	198-00		203		

Pos	Part Number	Name	Remarks	Qty	Model
>>	> 911 103 901 50	set of piston rings for piston \$ 84,50 MM	-70	X	911 T/E
>>	> 911 103 902 01	set of piston rings for piston \$ 84 MM TYP 911/02	-71	X	911 S
>>	> 911 103 945 25	piston ring for piston \$ 84,25 MM	-71	X	911 S
>>	> 911 103 902 50	set of piston rings for piston \$ 84,50 MM	-70	X	911 S
>>	> 911 103 906 01	set of piston rings for piston - SCHMIDT - \$ 84 MM TYP 911/03/06/07/08	-71	X	911 T
>>	> 911 103 906 26	set of piston rings for piston \$ 84,25 MM	-71	X	911 T
>>	> 911 103 906 50	set of piston rings for piston \$ 84,50 MM	-70	X	911 T
>>	> 911 103 945 00	set of piston rings for - mahle - and - SCHMIDT - piston \$ 84 MM TYP 911/51 - 53/57 TYP 911/61 - 63/67	72-	X	911 T-E/E/S 911 T-V
>>	> 911 103 941 00	set of piston rings for piston \$ 84 MM	73-	X	911 T-K
>>	> 911 103 945 25	set of piston rings for piston \$ 84,25 MM	72-	X	911 T-E/E/S 911 T-V

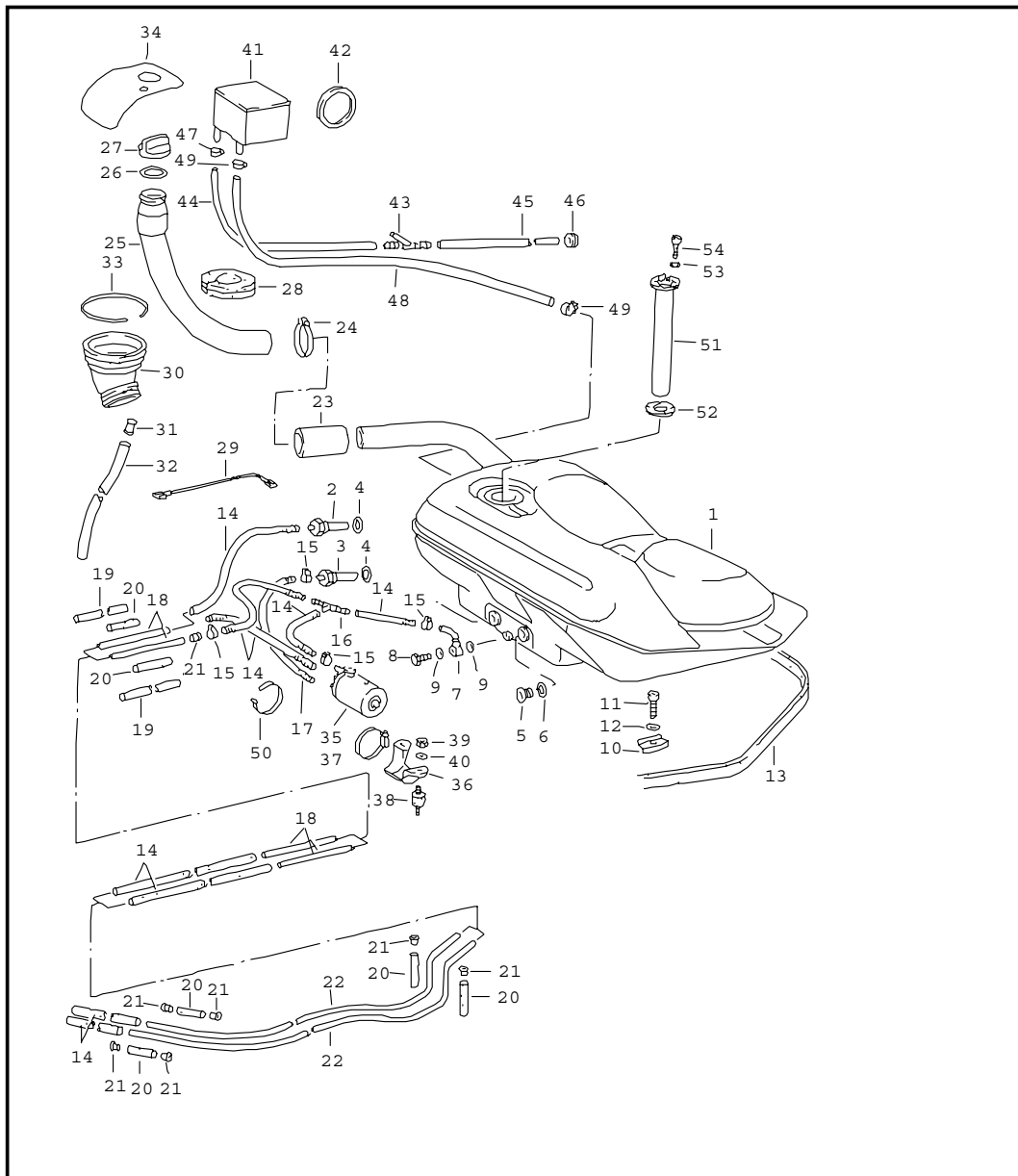
Model	Year	MG	SG	Illustration	Restrictions	Update		
911	73	1	98	198-00		203	11:55	21.08.2006

Pos	Part Number	Name	Remarks	Qty	Model
>>	> 911 103 941 25	set of piston rings for piston \$ 84,25MM	73-	X	911 T-K
>>	> 911 103 941 50	set of piston rings for piston \$ 84,50 MM	73-	X	911 T-K
>>	> 911 103 945 50	set of piston rings for piston \$ 84,50 MM	72-	X	911 T-E/E/S 911 T-V
>>	> 911 103 934 00	set of piston rings for piston \$ 90 MM	72-	X	CARRERA 2.7
- - - E N D - - -					

Model	Year	MG	SG	Illustration	Restrictions	Update		
911	73	1	98	198-05		203	11:55	21.08.2006

Pos	Part Number	Name	Remarks	Qty	Model
		repair kit for chain adjuster	72-		911 T/E/S 911 T VERGASER CARRERA 2.7 911 T-K
>>	> 911 105 901 00	repair kit for chain adjuster		X	
-	930 105 585 00	intermediate piece		1	
-	999 701 298 40	o-ring OR 10 - 1		1	
-	930 105 511 03	needle cage for ball valve		1	
-	900 108 005 00	ball 5 MM		1	
-	900 906 014 00	snap ring B 16		1	
-	999 701 596 40	o-ring CR 8,3 - 2,4		1	
-	999 701 596 40	o-ring CR 20,3 - 2,4		1	
-	900 906 028 00	snap ring B 28		1	
-	900 123 061 20	gasket		1	
		- - - E N D - - -			

Model	Year	MG	SG	Illustration	Restrictions	Update	11:56	21.08.2006	PORSCHE	PET	PORSCHE
911	73	2	01	201-00		203					

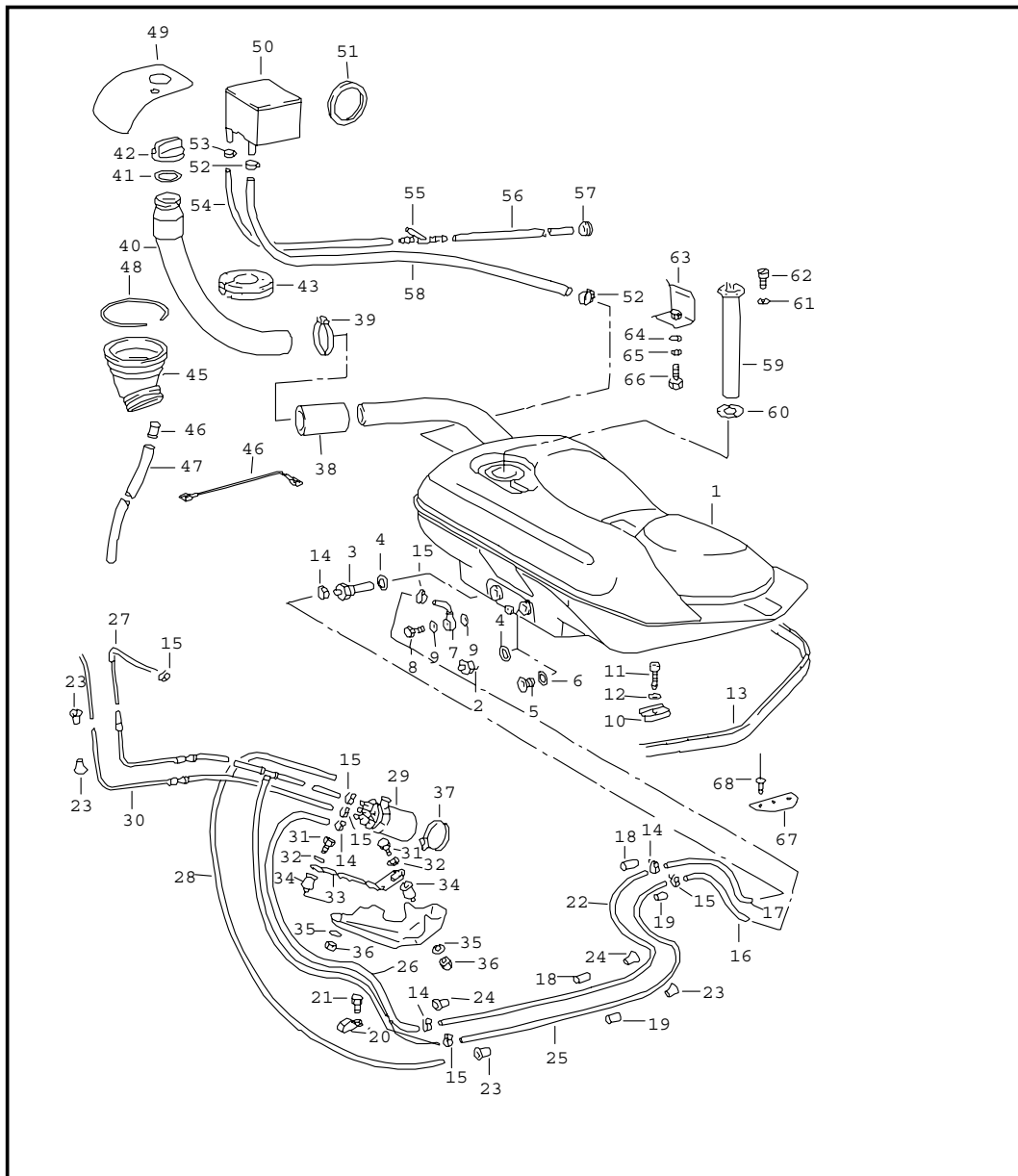


Pos	Part Number	Name	Remarks	Qty	Model
		fuel system lines with fuel pump front	-71		
1	901 201 010 22	fuel tank 62 L		1	
2	901 201 023 04	threaded joint \varnothing 6 MM		1	911 T
3	901 201 023 05	fuel tank cap \varnothing 8 MM		1	911 E/S
4	N 013 827 3	sealing ring A 22 X 27		2	
5	900 219 001 30	screw plug M 22 X 1,5		1	
6	900 123 011 30	sealing ring A 22 X 27		1	
7	901 356 049 00	ring piece	-70 71-	1	911 E/S 911 T
8	900 134 007 02	banjo bolt A 8	-70 71-	1	911 E/S 911 T
9	900 123 007 60	sealing ring A 14 X 18	-70 71-	2	911 E/S 911 T
10	901 201 311 00	bracket		3	
11	N 014 725 2	pan-head screw M 8 X 25		3	
12	900 031 001 02	washer 8,4		3	
13	901 504 932 20	seal		1	
14	999 180 030 50	fuel hose		*	
15	999 512 055 02	hose clamp		2 13	911 T 911 E/S
16	901 356 461 00	connecting socket		1	911 E/S
17	N 020 359 1	hose		*	911 E/S
18	901 108 531 00	control line centre		2	911 E/S

Model	Year	MG	SG	Illustration	Restrictions	Update	11:56	21.08.2006	PORSCHE	PET	PORSCHE
911	73	2	01	201-00		203					

Pos	Part Number	Name	Remarks	Qty	Model	Pos	Part Number	Name	Remarks	Qty	Model
(18)	901 108 531 00	fuel line centre not for sportomatic		1	911 T	40	900 027 014 01	lock ring B 6		4	911 E/S
19	000 043 205 20	protective tube		*		41	901 201 062 22	container for bleeding		1	
20	914 356 203 00	boot		7		42	901 201 618 22	rubber ring		1	
21	914 356 201 00	rubber sleeve		6	911 E/S	43	901 201 619 22	intermediate piece		1	
				4	911 T	44	901 201 602 22	breather hose		1	
22	901 356 532 00	fuel line rear		2	911 E/S	45	901 201 603 22	breather hose		1	
				1	911 T	-	999 651 128 00	hose clamp		1	
23	911 201 515 00	hose \$ 50 MM		1		46	999 702 074 50	rubber sleeve		1	
24	999 512 348 02	hose clamp		2		47	999 512 160 02	hose clamp		1	
25	901 201 051 20	filler neck		1		48	901 201 601 24	breather hose for fuel tank 62 L		1	
26	901 201 272 00	sealing ring		1		49	N 023 565 3	hose clamp		2	
27	901 201 271 00	cover with gasket		1		50	999 513 002 40	hose clamp		1	
28	911 201 095 00	gasket		1		51	901 741 801 00	sender	71-	1	911 T/E/S
29	901 612 303 20	ground strap filler neck NR.27		1		52	477 919 133	sealing ring	71	1	911 T/E/S
30	901 201 591 20	sleeve		1		53	900 025 003 30	washer	71-	5	911 T/E/S
31	911 201 593 00	overflow socket		1		54	900 014 058 02	pan-head screw AM 5 X 12	71-	5	911 T/E/S
32	901 201 931 00	overflow hose		1				- - - E N D - - -			
33	999 152 004 00	snap ring		1							
34	911 201 279 01	protective flap		1							
35	911 608 107 00	fuel pump		1	911 T						
(35)	901 608 105 00	fuel pump see group 2/01/25		1	911 E/S						
36	901 356 505 01	bracket		1	911 T/E/S						
37	999 512 164 02	hose clamp		1	911 T/E/S						
38	901 501 864 00	silentbloc		2	911 E/S						
39	900 076 010 02	hexagon nut M 6		4	911 E/S						

Model	Year	MG	SG	Illustration	Restrictions	Update	11:56	21.08.2006	PORSCHE	PET	PORSCHE
911	73	2	01	201-05		203					



Pos	Part Number	Name	Remarks	Qty	Model
		fuel system lines with fuel pump rear	71- 72-		911 T/E/S 911 T-V CARRERA 2.7 911 T-K
1	901 201 010 22	fuel tank 62 L	-71 71- 72-	1	911 E/S 911 T 911 T-V
(1)	911 201 010 25	fuel tank 62 L		1	911 T-K
(1)	911 201 010 00	fuel tank 85 L	73-	1	911 E/S CARRERA 2.7 911 T:M
2	901 201 023 04	threaded joint \$ 6 MM with optional heating	-71 71- M	1	911 E/S 911 T VERGASER
(2)	901 201 023 04	fuel tank cap	72- 72-	1	911 E/S CARRERA 2.7 911 T-V:M
3	901 201 023 05	fuel tank cap \$ 8 MM	-71 71-	1	911 E/S 911 T-V
(3)	901 201 023 05	fuel tank cap	72- 72-	1	911 E/S CARRERA 2.7 911 T-V:M
4	N 013 827 3	sealing ring A 22 X 27	-71	2	911 T/E/S
(4)	900 123 011 20	sealing ring A 22 X 27	72-	2	911 T-V 911 T-K
(4)	911 201 241 00	sealing ring	72- 72-	2	911 E/S CARRERA 2.7 911 T-V:M
-	901 356 461 00	connecting socket for optional heating	72-	*	911 T/E/S:M 911 T-V CARRERA 2.7
5	900 219 001 30	screw plug M 22 X 1,5	-71 72-	1	911 T/E/S 911 T-V 911 T-K
6	900 123 011 30	sealing ring A 22 X 27	-71	1	911 T/E/S
7	901 356 049 00	ring piece	-71 71- 72-	1	911 E/S 911 T 911 T-V

Model	Year	MG	SG	Illustration	Restrictions	Update	11:56	21.08.2006	PORSCHE	PET	PORSCHE
911	73	2	01	201-05		203					

Pos	Part Number	Name	Remarks	Qty	Model	Pos	Part Number	Name	Remarks	Qty	Model
8	900 134 007 02	banjo bolt A 8	-71 71- 72-	1	911 E/S 911 T 911 T-V	17	-	330 MM container intake pipe centre		1	
9	900 123 007 60	sealing ring A 14 X 18	-71	2	911 T/E/S	18	911 356 203 00	protective grommet	-71	2	911 T/E/S
(9)	N 013 849 2	sealing ring A 14 X 18	72-	2	911 T-V	19	914 356 203 00	protective grommet	-71	3	911 T/E/S
-	911 201 141 00	filter complete	72-	1	911 T-K	20	999 511 091 02	clip	72-	1	
-	911 201 143 00	sealing ring	72-	1	911 T-K	21	900 187 104 02	tapping screw B 4,8 X 13	72-	1	
10	901 201 311 00	bracket	-71 72-	3	911 E/S 911 T-V 911 T-K	22	911 356 505 01	fuel line intake pipe centre		1	
(10)	911 201 311 00	bracket	73- M	2	911 E/S CARRERA 2.7 911 T-V	(22)	911 356 073 00	fuel line intake pipe centre	72-	1	911 T-K
11	N 014 725 2	pan-head screw M 8 X 25	-71 72-	3	911 T/E/S 911 T-V 911 T-K	23	914 356 201 00	rubber sleeve	-71 72-	4 2	
(11)	900 067 057 02	pan-head screw M 8 X 20	73- 73-	2	911 E/S CARRERA 2.7 911 T-V:M	24	914 356 202 00	rubber sleeve		2	
12	900 031 001 02	washer 8,4	-71 72-	3	911 E/S 911 T-V 911 T-K	25	901 108 531 00	control line return line centre		1	
(12)	900 025 007 02	washer 8,4	72- M	2	911 E/S CARRERA2.7 911 T-V	-	999 180 125 50	fuel hose C 9 X 15	-71	*	
13	901 504 932 20	seal		1		26	-	850 MM intake pipe centre pump		1	
14	N 023 570 2	hose clamp		4		-	999 180 147 50	fuel hose C 9 X 15	72-	*	
15	999 512 174 02	hose clamp	-71 72-	5	911 T 911 T-V 911 T/E/S CARRERA 2.7	(26)	-	760 MM intake pipe centre pump		1	
-	999 180 025 50	fuel hose C 7 X 12		*		27	911 356 064 01	return line	-71	1	911 E/S
16	-	350 MM return line centre container		1		(27)	911 356 064 02	return line	72-	1	911 T/E/S CARRERA 2.7
-	999 180 058 50	fuel hose C 9 X 15		*		(27)	911 356 064 30	return line	72-	1	911 T-K
						-	999 180 030 50	fuel hose C 7 X 12	-71	*	911 T

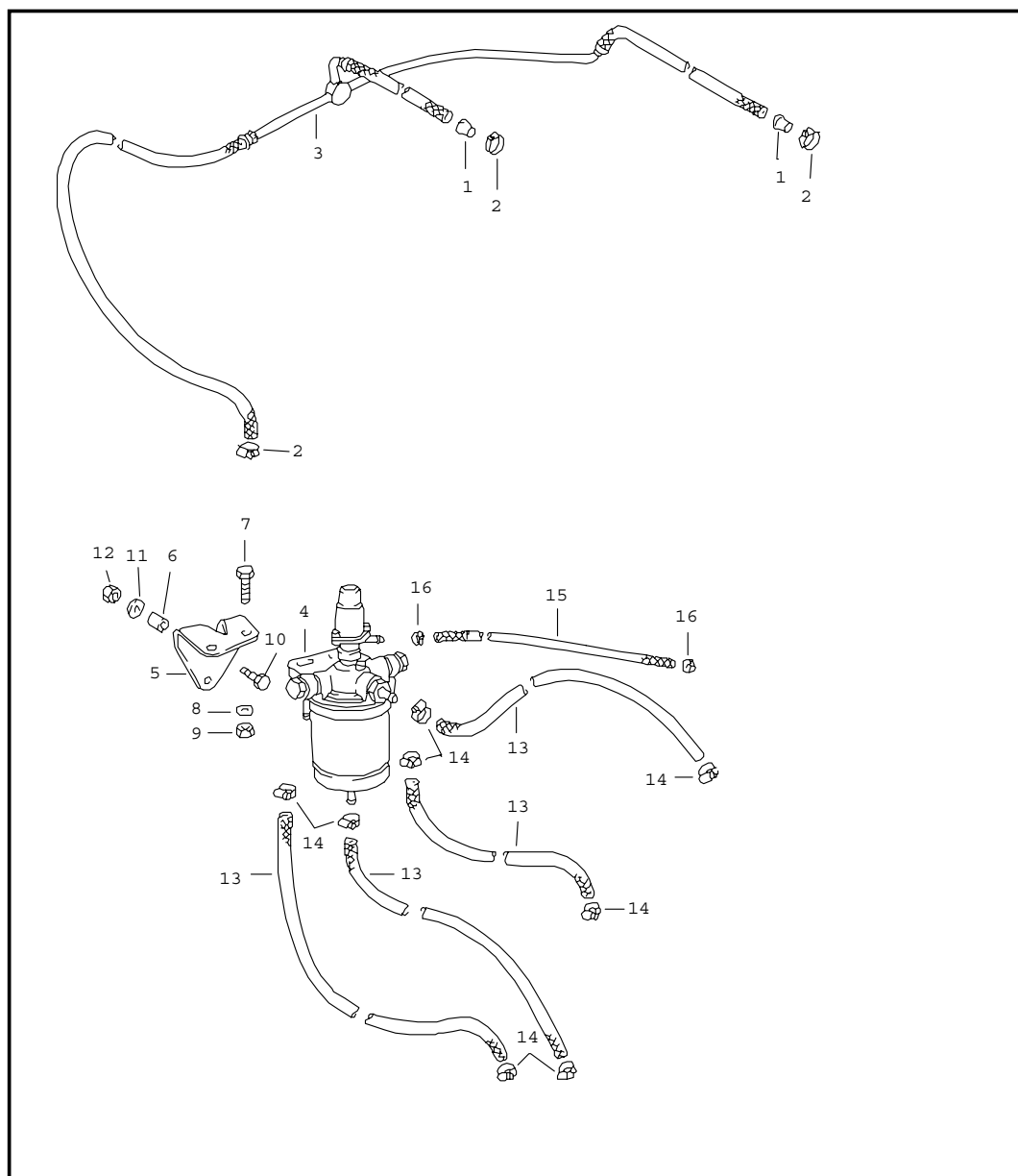
Model	Year	MG	SG	Illustration	Restrictions	Update	11:56	21.08.2006	PORSCHE	PET	PORSCHE
911	73	2	01	201-05		203					

Pos	Part Number	Name	Remarks	Qty	Model	Pos	Part Number	Name	Remarks	Qty	Model
28	-	800 MM pump return line centre		1		(38)	901 201 108 00	connecting hose	73-	1	911 E/S CARRERA 2.7
-	999 180 030 50	fuel hose C 7 X 12	72-	*	911 T-V	39	999 512 348 02	hose clamp		2	
(28)	-	780 MM pump return line centre		1		40	901 201 051 20	filler neck		1	
29	901 608 105 00	fuel pump	71- 72-	1	911 E/S 911 T CARRERA 2.7	41	901 201 272 00	sealing ring for cover		1	
(29)	911 608 107 00	fuel pump	71- 72-	1	911 T 911 T-V	42	901 201 271 00	cover		1	
(29)	911 608 110 02	fuel pump	72-	1	911 T-K	43	911 201 095 00	gasket		1	
30	911 356 066 31	pressure line pressure line	-71	1		44	901 612 303 20	ground strap filler neck NR. 46		1	
(30)	911 356 066 02	fuel line pressure line	72-	1		45	901 201 591 20	sleeve		1	
(30)	911 356 066 31	pressure line pressure line	72-	1	911 T-K	46	911 201 593 00	overflow socket		1	
31	N 010 208 5	hexagon-head bolt M 6		2		47	901 201 931 00	overflow hose		1	
32	900 028 008 01	spring washer B 6	-71	2		48	999 152 004 00	snap ring		1	
(32)	N 012 007 2	lock ring B 6	72-	2		49	911 201 279 01	protective flap		1	
33	911 608 120 00	support		1		50	901 201 062 22	container for bleeding		1	
34	999 703 303 00	silentbloc		2		51	901 201 618 22	rubber ring		1	
35	900 027 014 01	lock ring B 6		2		52	N 023 565 3	hose clamp		2	
36	900 076 010 02	hexagon nut M 6		2		53	999 512 160 02	hose clamp		1	
37	999 512 164 02	hose clamp		1		-	901 201 602 22	breather hose 9 X 12		*	
38	911 201 515 00	hose 50 X 58 X 100	-71	1	911 T/E/S	54	-	550 MM		1	
(38)	911 201 515 00	hose piece 50 X 58 X 100	72-	1	911 T-V 911 T-K	55	901 201 619 22	intermediate piece		1	
						56	901 201 603 22	breather hose 9 X 12 X 1000		1	
						-	999 651 128 00	cable clamp		1	
						57	999 702 074 50	rubber sleeve		1	
						58	901 201 601 24	breather hose 15 X 21 X 920	-71 72-	1	911 T/E/S 911 T-V 911 T-K

Model	Year	MG	SG	Illustration	Restrictions	Update	11:56	21.08.2006	PORSCHE	PET	PORSCHE
911	73	2	01	201-05		203					

Pos	Part Number	Name	Remarks	Qty	Model	Pos	Part Number	Name	Remarks	Qty	Model
(58)	911 201 623 00	breather hose 15 X 21 X 770	72- M	1	911 E/S CARRERA 911 T-V 911 T-K						
59	901 741 801 00	sender	-71	1							
(59)	901 741 801 00	sender	72-	1							
60	477 919 133	sealing ring		1							
61	900 025 003 30	washer 5,3		5							
62	900 014 058 02	pan-head screw AM 5 X 12	-71	5	911 T/E/S 911 T VERGASER 911 T-K						
(62)	900 014 100 02	pan-head screw AM 5 X 16	72-	5	911 E/S CARRERA 2.7						
63	911 201 037 00	holder	72-	1	911 E/S CARRERA 2.7						
64	900 025 007 02	washer 8,4	72-	1	911 E/S CARRERA 2.7						
65	900 027 005 01	lock ring A 8	72-	1	911 E/S CARRERA 2.7						
66	900 075 085 02	hexagon-head bolt	72-	1	911 E/S CARRERA 2.7						
67	911 201 313 00	threaded plate	72-	2	911 E/S CARRERA 2.7						
68	999 190 103 02	rivet \$ 4	72-	4	911 E/S CARREA 2.7						
		- - - E N D - - -									

Model	Year	MG	SG	Illustration	Restrictions	Update	11:56	21.08.2006	PORSCHE	PET	PORSCHE
911	73	2	01	201-15		203					

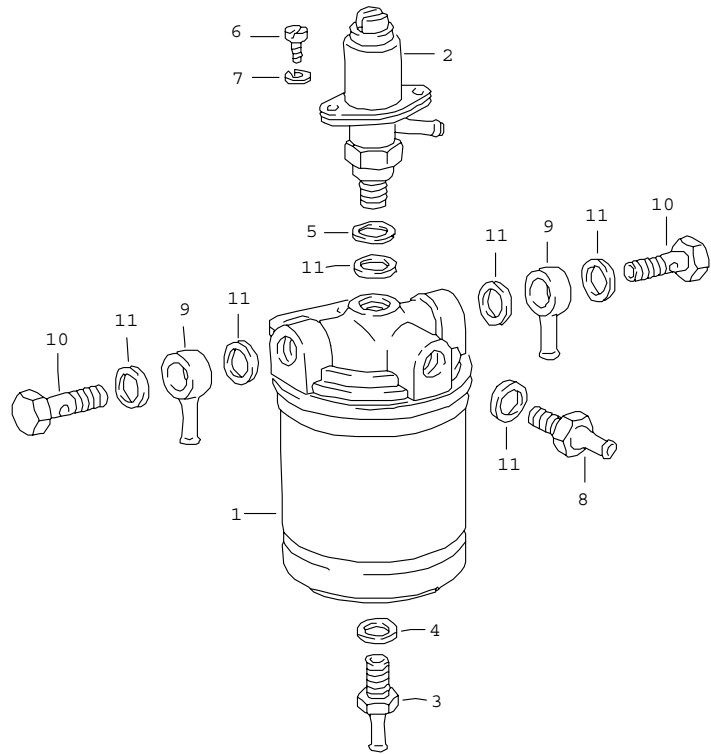


Pos	Part Number	Name	Remarks	Qty	Model
		fuel filter with lines	72-		911 T/E/S CARRERA 2.7 911 T-K
(3)	901 108 051 06	control line complete pressure line	72-	1	911 T-V
-	999 512 181 02	hose clamp	72-	1	911 T-K
(4)	911 110 184 00	fuel filter	72-	1	911 T-K
5	901 108 541 00	angle	70- 72-	1	911 E/S 911 T CARRERA 2.7
(5)	911 356 541 01	angle		1	911 T-K
6	901 504 859 20	hose piece	71- 72-	3	911 E/S 911 T CARRERA 2.7 911 T-K
-	477 209 083	fuel accumulator	72-	1	911 T-K
-	999 512 216 02	hose clamp 28 - 48 X 9	72-	1	911 T-K
-	911 356 076 00	connecting line fuel accumulator fuel filter	72-	1	911 T-K
7	999 075 041 02	hexagon-head bolt M 10 X 25	70- 72-	2	911 E/S 911 T CARRERA 2.7
8	N 012 230 1	spring washer B 10	70- 72-	2	911 E/S 911 T CARRERA 2.7
9	N 011 010 6	hexagon nut M 10	70- 72-	2	911 E/S 911 T CARRERA 2.7
10	900 074 015 02	hexagon-head bolt M 6 X 30	70- 72-	3	911 E/S 911 T CARRERA 2.7 911 T-K
(11)	999 025 108 02	washer	72-	3	911 T CARRERA 2.7 911 T-K
12	900 084 010 02	hexagon nut M 6	70- 72-	3	911 E/S 911 T CARRERA 2.7 911 T-K

Model	Year	MG	SG	Illustration	Restrictions	Update	11:56	21.08.2006	PORSCHE	PET	PORSCHE
911	73	2	01	201-15		203					

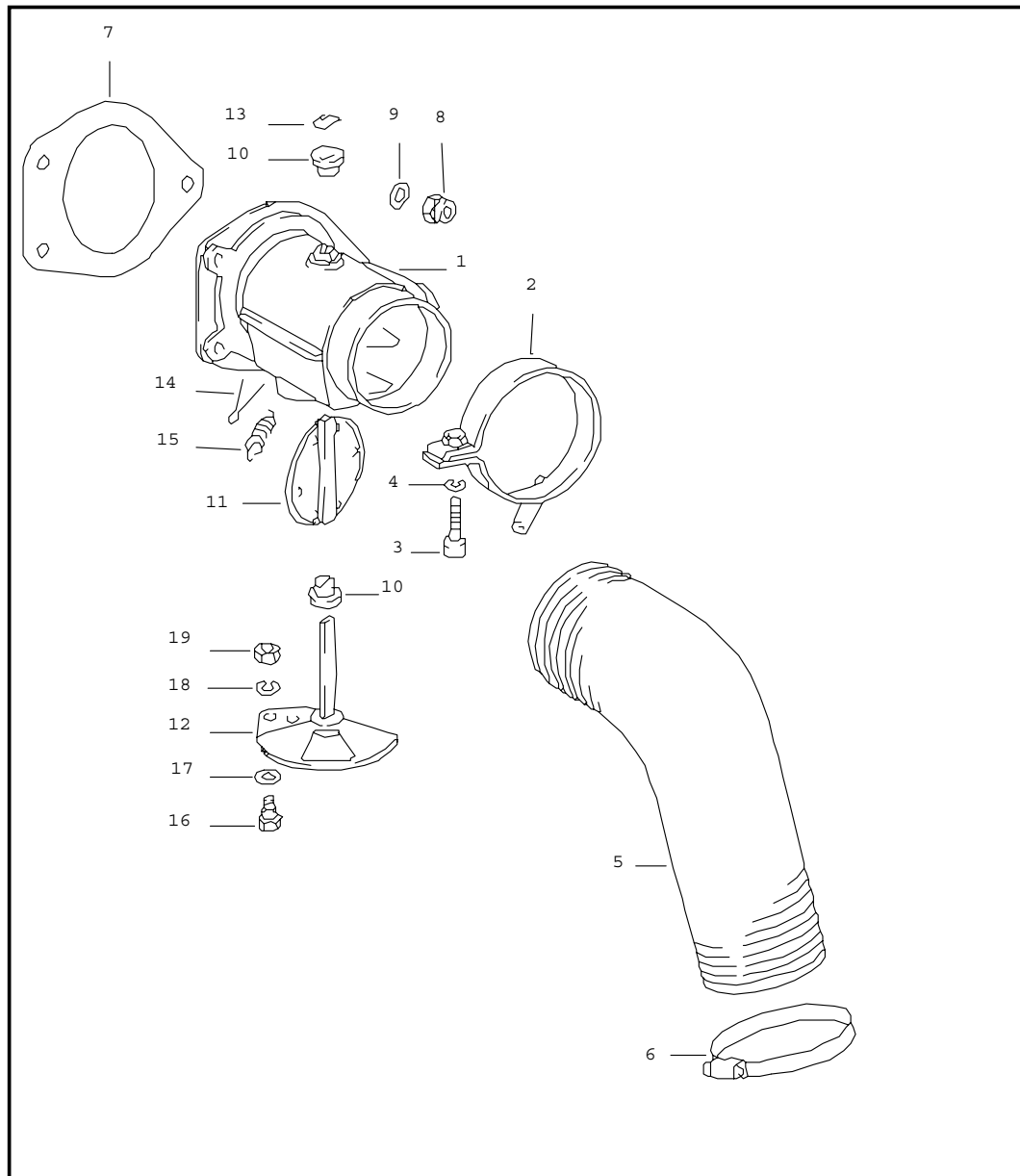
Pos	Part Number	Name	Remarks	Qty	Model	Pos	Part Number	Name	Remarks	Qty	Model
(13)	-	570 MM		3							
-	999 180 030 50	fuel hose C 7 X 12	72-	*	911 T/E/S CARRERA 2.7						
(13)	-	620 MM		2							
-	999 180 030 50	fuel hose C 7 X 12	72-	*	911 T/E/S CARRERA 2.7						
(13)	-	240 MM		1							
-	999 180 030 50	fuel hose C 7 X 12	72-	*	911 T/E/S						
(13)	-	180 MM		1							
(13)	911 356 074 01	pressure line fuel accumulator	72-	1	911 T-K						
(14)	999 512 174 02	hose clamp	71- 72- 72-	6 911 E/S 911 T CARRERA 2.7 2 911 T-K							
15	-	275 MM		1							
-	999 181 167 50	hose C 4,5 X 9,5	72-	*	911 T/E/S CARRERA 2.7						
(15)	-	400 MM		1							
16	999 512 082 02	hose clamp	70- 72-	2 911 E/S 911 T CARRERA 2.7							
		- - - E N D - - -									

Model	Year	MG	SG	Illustration	Restrictions	Update	11:56	21.08.2006	PORSCHE	PET	PORSCHE
911	73	2	01	201-20		203					



Pos	Part Number	Name	Remarks	Qty	Model
		repair material for fuel filter - BOSCH -	72-		911 E/S 911 T CARRERA 2.7
1-11	901 110 232 00	fuel filter - BOSCH -		1	
1	PCG 110 909 10	filter element		1	
2	901 110 911 00	solenoid valve complete		1	
3	901 110 912 00	connection piece lower		1	
4	900 123 006 25	sealing ring A 12 X 18		1	
5	901 110 920 00	shim		1	
6	901 110 913 00	bleeder screw		1	
7	901 110 914 00	sealing ring		1	
8	901 110 915 00	overflow valve		1	
9	901 110 916 00	ring piece		1	
10	901 110 917 00	banjo bolt		1	
11	N 013 849 2	sealing ring A 14 X 18		6	
- - - E N D - - -					

Model	Year	MG	SG	Illustration	Restrictions	Update	11:56	21.08.2006	PORSCHE	PET	PORSCHE
911	73	2	02	202-00		203					

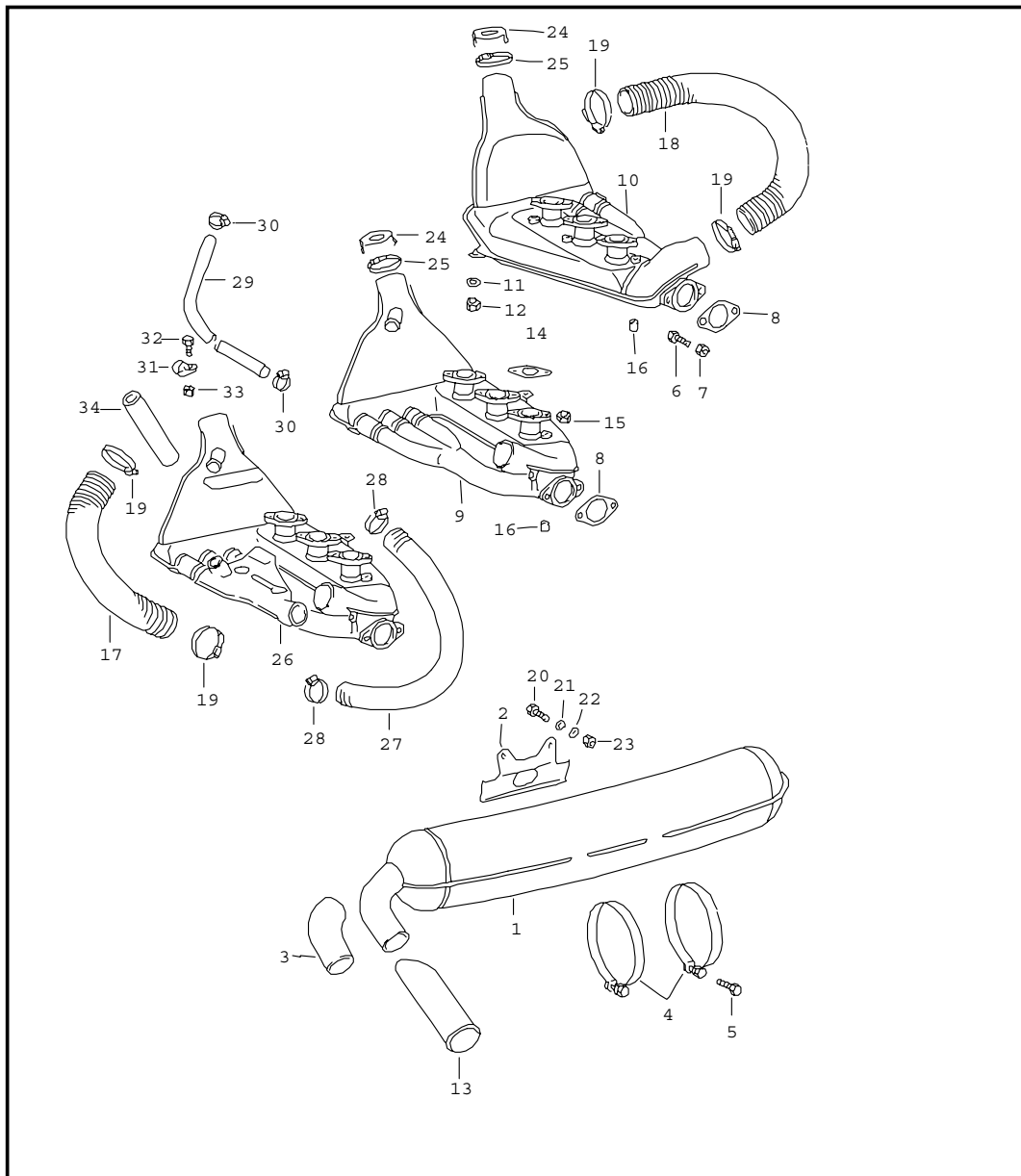


Pos	Part Number	Name	Remarks	Qty	Model
		heating air supply	70- 72-		911 T/E/S 911 T-V CARRERA 2.7 911 T-K
1	911 211 013 00	heat control box	/L	1	
(1)	911 211 014 00	heat control box	/R	1	
2	901 211 051 21	clip	/L	1	
(2)	901 211 052 21	clip	/R	1	
3	900 119 014 02	pan-head screw M 6 X 20	-71	2	
(3)	900 378 030 09	hexagon-head bolt M 6 X 20	72-	2	
4	900 027 014 01	lock ring B 6		2	
5	930 211 622 01	connecting hose 250 MM	-71	2	
(5)	902 211 922 20	connecting hose 250 MM	72-	2	
6	999 512 349 02	hose clamp		2	
7	911 211 297 00	gasket		2	
8	900 084 010 02	hexagon nut M 6		6	
9	N 011 524 7	washer 6,4		6	
10	901 211 255 21	bearing		4	
11	901 211 028 22	air flap		2	
12	901 211 035 21	rotary slide	/L	1	
(12)	901 211 036 21	rotary slide	/R	1	
13	999 507 222 02	mecano-speed-fix		2	
14	900 021 014 02	cotter pin 3 X 15		2	
15	999 522 013 01	spring		2	
16	901 211 683 00	clamping screw		2	
17	999 025 042 02	washer		2	

Model	Year	MG	SG	Illustration	Restrictions	Update	11:56	21.08.2006	PORSCHE	PET	PORSCHE
911	73	2	02	202-00		203					

Pos	Part Number	Name	Remarks	Qty	Model	Pos	Part Number	Name	Remarks	Qty	Model
18	900 027 011 01	lock ring B 4		2							
19	N 011 004 6	hexagon nut M 4		2							
- - - E N D - - -											

Model	Year	MG	SG	Illustration	Restrictions	Update	11:57	21.08.2006	PORSCHE	PET	PORSCHE
911	73	2	02	202-05		203					

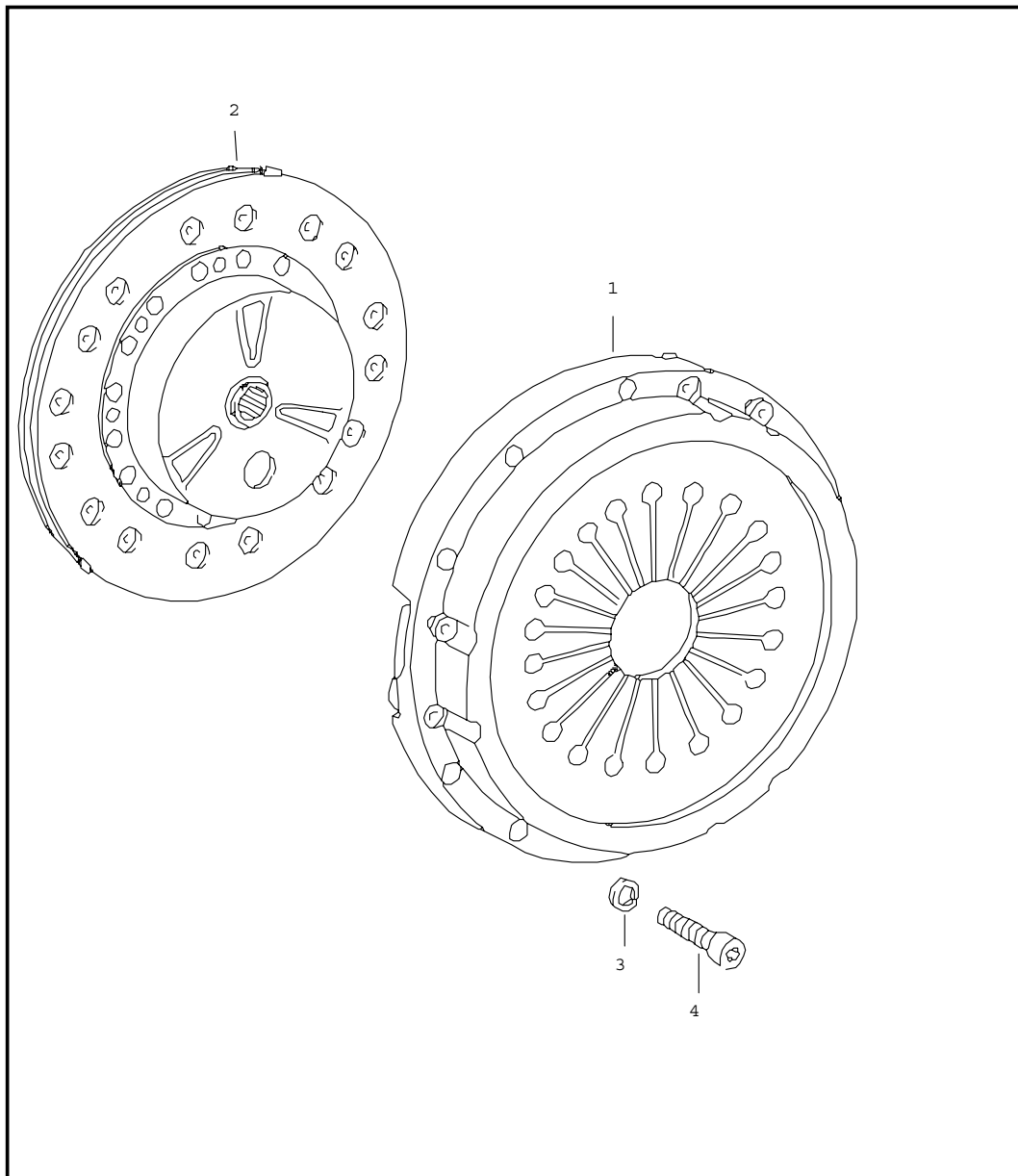


Pos	Part Number	Name	Remarks	Qty	Model
		exhaust system	72-		911 T/E/S 911 T-V CARRERA 2.7 911 T-K
1	911 111 025 00	exhaust silencer		1	
2	901 111 151 04	bracket		1	
3	901 111 287 00	exhaust pipe		1	
4	901 111 157 04	clip for exhaust silencer		2	
5	900 067 161 02	pan-head screw M 10 X 50	72-	2	
6	900 075 148 02	hexagon-head bolt M 10 X 32		4	
7	999 084 002 02	hexagon nut M 10		4	
8	901 111 193 00	gasket		2	
9	911 211 021 60	heat exchanger complete with cap	/L	1	911 T-V 911 T-K
10	911 211 022 10	heat exchanger complete	/R	1	
11	N 012 226 5	spring washer B 6	72-	2	
12	900 076 025 02	hexagon nut M 6	72-	2	
13	901 111 245 01	ornamental exhaust pipe		1	
14	930 111 191 13	gasket		6	
15	900 076 025 02	hexagon nut M 8		6	
16	999 085 001 02	nut M 8		6	
17	901 211 194 00	heater hose	/L	1	
18	901 211 194 00	heater hose	/R	1	
19	999 512 349 02	hose clamp		4	
20	900 075 078 02	hexagon-head bolt M 8 X 15		2	

Model	Year	MG	SG	Illustration	Restrictions	Update	11:57	21.08.2006	PORSCHE	PET	PORSCHE
911	73	2	02	202-05		203					

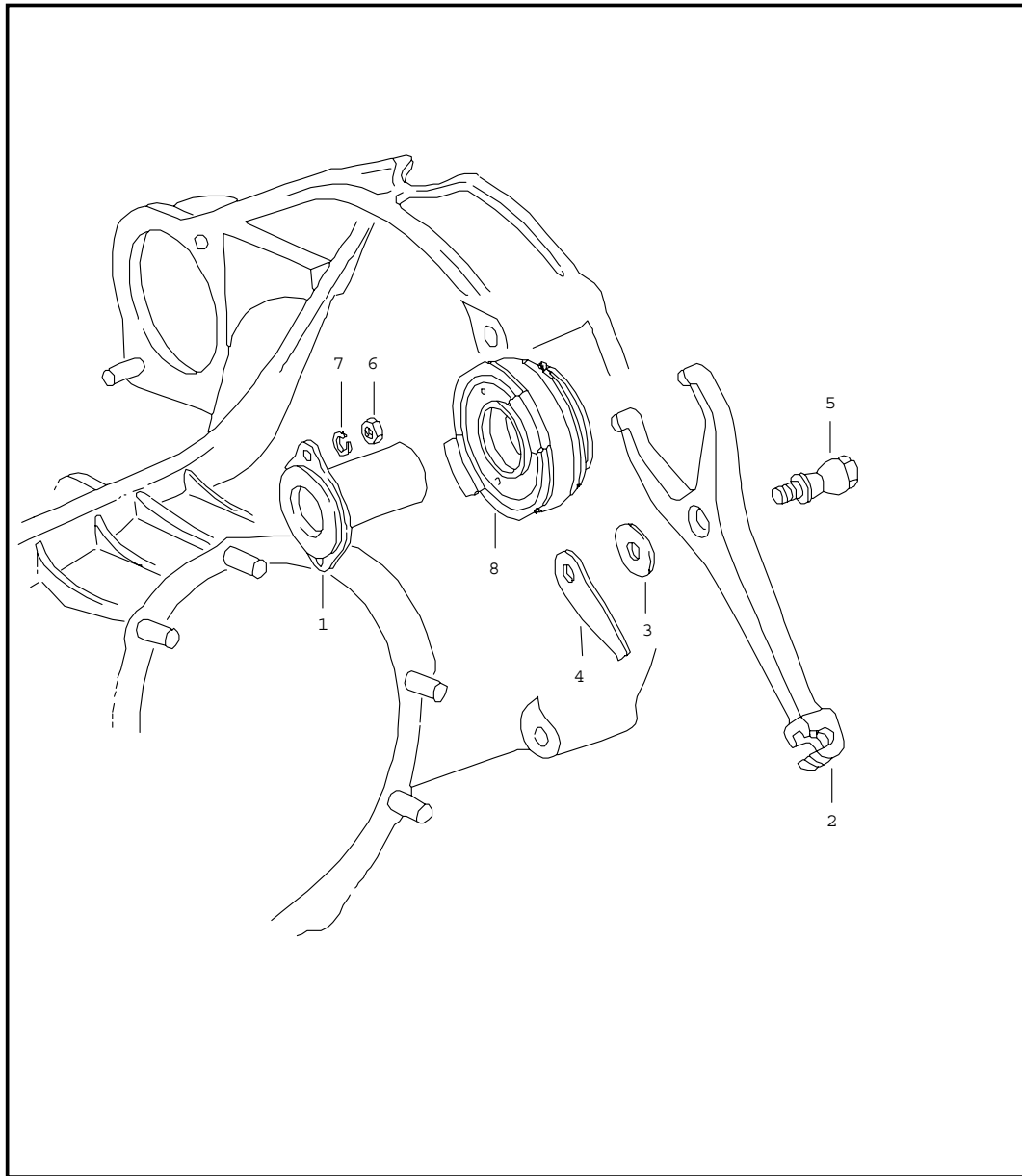
Pos	Part Number	Name	Remarks	Qty	Model	Pos	Part Number	Name	Remarks	Qty	Model
21	900 025 007 02	washer 8,4		2							
22	N 012 241 8	spring washer B 8 X 15	71-	2							
23	900 076 025 02	hexagon nut M 8		2							
26	911 211 021 14	heat exchanger complete with cap	/L 72-	1	911 T/E/S CARRERA 2.7						
27	911 108 151 00	flexible pipe heat exchanger regulator housing	72-	1	911 T/E/S CARRERA 2.7						
28	999 512 348 02	hose clamp 38 - 58 X 9	72-	2	911 T/E/S CARRERA 2.7						
29	911 110 295 02	flexible pipe engine cover heat exchanger		1	911 T-V						
30	999 512 132 02	hose clamp 20 - 30 X 9	72-	2	911 T-V						
31	999 511 088 02	clip RS 1000.28/15	72-	1	911 T-V						
32	900 075 010 02	hexagon-head bolt M 6 X 12	72-	1	911 T-V						
33	900 076 010 02	hexagon nut M 6	72-	1	911 T-V						
34	911 106 329 00	flexible pipe front engine cover heat exchanger	/L 73-	1	911 T/E/S CARRERA 2.7						
		- - - E N D - - -									

Model	Year	MG	SG	Illustration	Restrictions	Update	11:57	21.08.2006	PORSCHE	PET	PORSCHE
911	73	3	01	301-00		203					



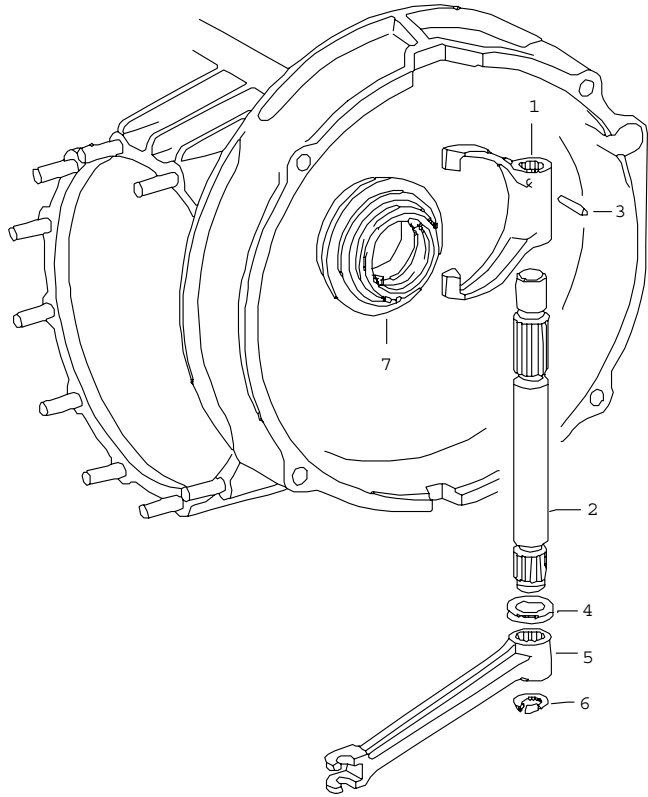
Pos	Part Number	Name	Remarks	Qty	Model
		clutch			
1	911 116 001 05	pressure plate	-71	1	911 T/E/S
(1)	915 116 001 10	pressure plate	72-	1	911 T-E/S 911 T-V 911 T-K
(1)	915 116 001 14	pressure plate	72-	1	CARRERA 2.7
2	911 116 011 04	clutch plate	70	1	911 T/E/S
(2)	911 116 011 02	clutch plate	71	1	911 T/E/S
(2)	915 116 011 14	clutch plate	72-	1	911 T-E/S 911 T-V CARRERA 2.7 911 T-K
3	900 027 015 02	lock ring B 8		9	
4	900 067 090 02	hexagon-head bolt M 8 X 42		9	
- - - E N D - - -					

Model	Year	MG	SG	Illustration	Restrictions	Update	11:57	21.08.2006	PORSCHE	PET	PORSCHE
911	73	3	01	301-05		203					



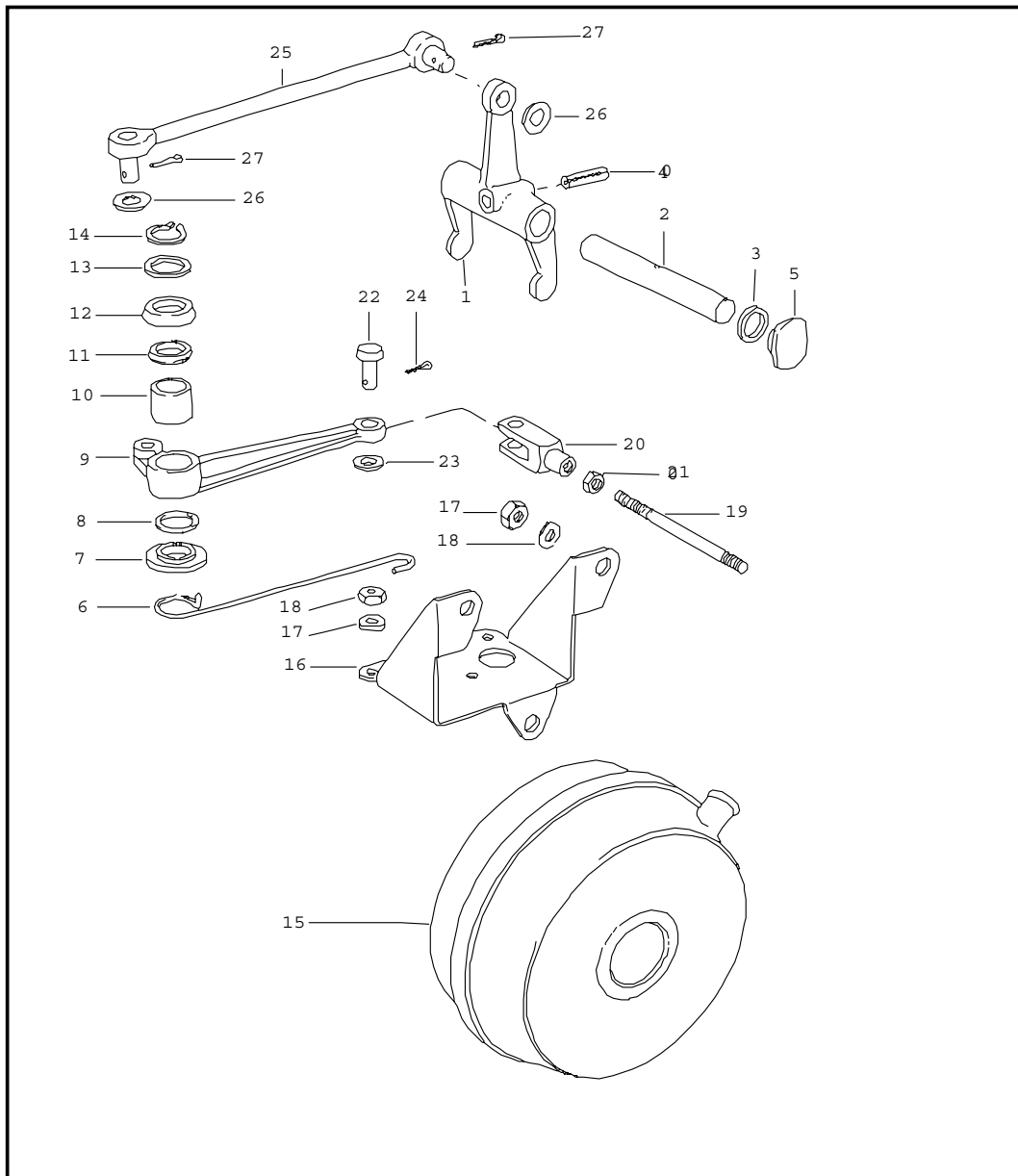
Pos	Part Number	Name	Remarks	Qty	Model
		clutch release	-71		
1	911 116 087 00	guide tube		1	
2	911 116 712 01	release fork		1	
3	911 116 743 01	washer		1	
4	911 116 774 01	leaf spring		1	
5	911 116 772 11	ball pin		1	
6	900 076 010 02	hexagon nut M 6		2	
7	900 027 014 01	lock ring B 6		2	
8	911 116 081 02	clutch release bearing		1	
		- - - E N D - - -			

Model	Year	MG	SG	Illustration	Restrictions	Update	11:57	21.08.2006	PORSCHE	PET	PORSCHE
911	73	3	01	301-10		203					



Pos	Part Number	Name	Remarks	Qty	Model
		clutch release	72-		
1	915 116 712 01	release fork		1	
2	915 116 133 03	shaft		1	
3	900 095 050 00	tensioning sleeve 4 X 26		1	
4	915 301 139 00	sealing ring		1	
5	915 116 713 01	clutch release lever		1	
6	N 012 418 1	circlip 18 X 1,2		1	
7	915 116 082 80	clutch release bearing		1	
		- - - E N D - - -			

Model	Year	MG	SG	Illustration	Restrictions	Update	11:58	21.08.2006	PORSCHE	PET	PORSCHE
911	73	3	01	301-15		203					

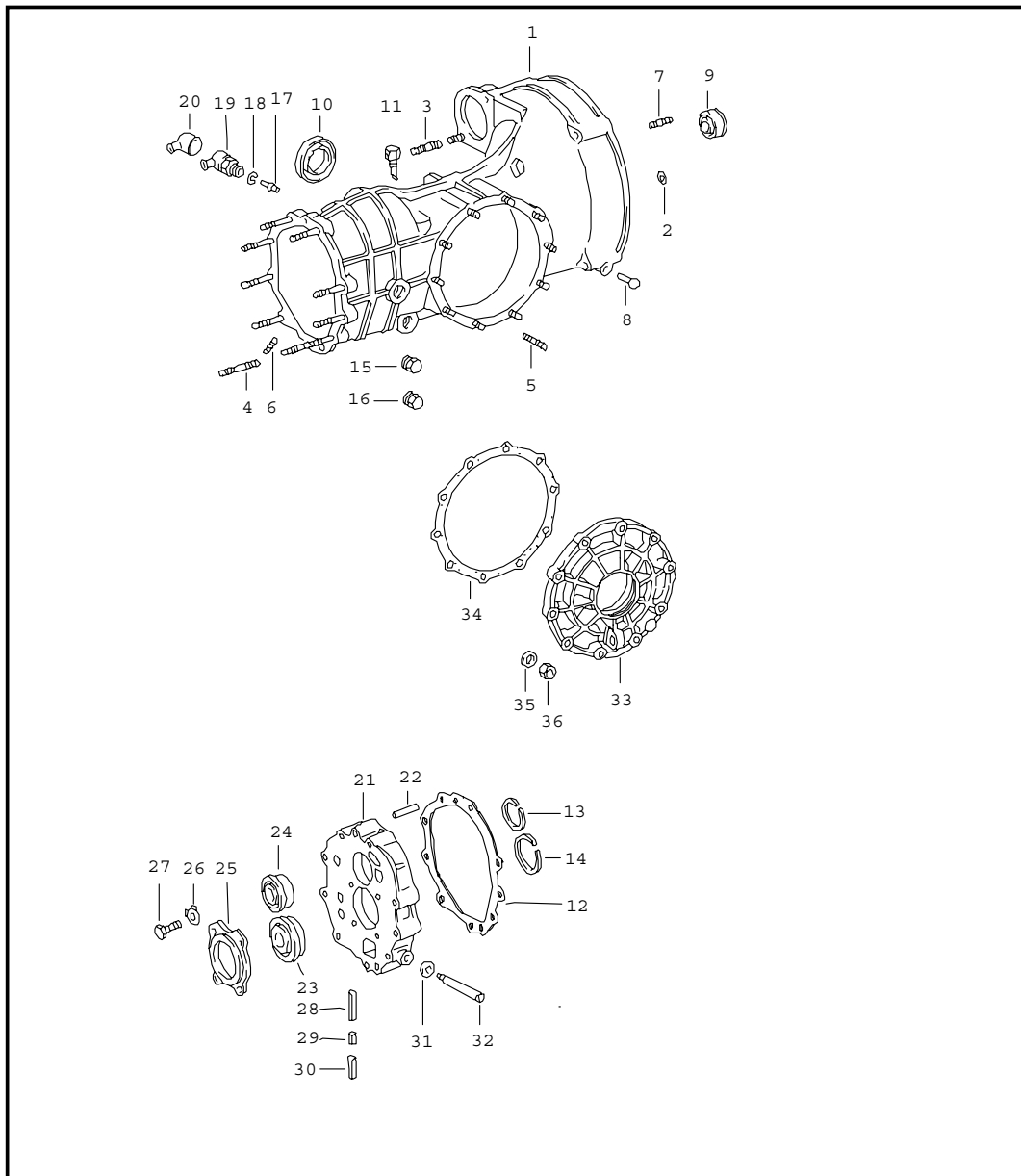


Pos	Part Number	Name	Remarks	Qty	Model
		clutch release sportomatic	-71 72-		911 T/E 911 T-E/E/S 911 T-V CARRERA 2.7
1	905 116 711 01	clutch release lever		1	
2	905 116 709 00	clutch lever shaft		1	
3	905 116 712 00	spacer ring		2	
4	900 095 013 00	tensioning sleeve 4 X 20		1	
5	905 116 713 00	cap		2	
6	905 116 714 00	spring		1	
7	905 116 708 00	washer		1	
8	999 701 169 40	o-ring		1	
9	905 116 071 00	intermediate shift lever		1	
10	905 116 701 01	bush		1	
11	905 116 719 01	spacer		1	
12	999 704 019 50	sleeve T 25 - 1		1	
13	900 234 006 02	shim 15 X 22 X 1		1	
14	N 012 415 1	circlip 15 X 1		1	
15	905 116 721 01	servo-motor 135 X 60		1	
16	905 116 715 10	servo-motor support	-71 72-	1	911 T/E 911 T-V
(16)	925 116 715 00	servo-motor support	72-	1	911 T-E/E/S CARRERA 2.7
17	900 076 025 02	hexagon nut M 8		6	
18	900 027 005 01	lock ring A 8		6	
19	905 116 716 00	pull rod		1	
20	900 166 002 02	clevis G 6 X 24		1	

Model	Year	MG	SG	Illustration	Restrictions	Update	11:58	21.08.2006	PORSCHE	PET	PORSCHE
911	73	3	01	301-15		203					

Pos	Part Number	Name	Remarks	Qty	Model	Pos	Part Number	Name	Remarks	Qty	Model
21	900 076 010 02	hexagon nut M 6		1							
22	905 116 717 00	bolt for pull rod		1							
23	900 089 005 02	washer 6		1							
24	900 021 002 00	cotter pin 1,5 X 10		1							
25	905 116 070 01	push rod	-71 72-	1	911 T/E 911 T-V						
(25)	925 116 751 04	push rod	72-	1	911 T-E/E/S CARRERA 2.7						
26	900 025 007 02	washer 8,4		2							
27	900 021 008 00	cotter pin 2 X 15		2							
		- - - E N D - - -									

Model	Year	MG	SG	Illustration	Restrictions	Update	11:58	21.08.2006	PORSCHE	PET	PORSCHE
911	73	3	02	302-00		203					



Pos	Part Number	Name	Remarks	Qty	Model
		replacement transmission case transmission case chilled casting	-70		911 T/E/S
1	901 301 010 02	transmission case G 509 0001 >> 509 0462 G 519 0001 >> 519 1141 G 519 5001 >> 519 5209 G 709 0001 >> 709 0223 G 719 0001 >> 719 2526 G 739 0001 >> 739 0002 G 739 1001 >> 739 1001 G 739 2001 >> 739 2007 G 739 3001 >> 739 3003 G 739 4001 >> 739 4004		1	902/04 902/05 902/06 901/06 901/07 901/75 901/76 901/77 901/78 901/79
-	999 504 040 02	bush M 8		1	
2	901 116 773 01	sealing washer G 509 0001 >> 509 0462 G 519 0001 >> 519 1141 G 519 5001 >> 519 5209 G 709 0001 >> 709 0223 G 719 0001 >> 719 2526 G 739 0001 >> 739 0002 G 739 1001 >> 739 1001 G 739 2001 >> 739 2007 G 739 3001 >> 739 3003 G 739 4001 >> 739 4004		1	902/04 902/05 902/06 901/06 901/07 901/75 901/76 901/77 901/78 901/79
3	900 061 014 02	stud BM 10 X 22		1	
4	900 061 012 01	stud BM 8 X 50 G 509 0001 >> 509 0462 G 519 0001 >> 519 1141 G 519 5001 >> 519 5209 G 709 0001 >> 709 0223 G 719 0001 >> 719 2526 G 739 0001 >> 739 0002 G 739 1001 >> 739 1001 G 739 2001 >> 739 2007 G 739 3001 >> 739 3003 G 739 4001 >> 739 4004		9	902/04 902/05 902/06 901/06 901/07 901/75 901/76 901/77 901/78 901/79

Model	Year	MG	SG	Illustration	Restrictions	Update	11:58	21.08.2006	PORSCHE	PET	PORSCHE
911	73	3	02	302-00		203					

Pos	Part Number	Name	Remarks	Qty	Model	Pos	Part Number	Name	Remarks	Qty	Model
5	900 061 007 01	stud BM 8 X 22 G 509 0001 >> 509 0462 G 519 0001 >> 519 1141 G 519 5001 >> 519 5209 G 709 0001 >> 709 0223 G 719 0001 >> 719 2526 G 739 0001 >> 739 0002 G 739 1001 >> 739 1001 G 739 2001 >> 739 2007 G 739 3001 >> 739 3003 G 739 4001 >> 739 4004		10	902/04 902/05 902/06 901/06 901/07 901/75 901/76 901/77 901/78 901/79	12	* 901 301 191 01	gasket 0,1 MM G 509 0001 >> 509 0462 G 519 0001 >> 519 1141 G 519 5001 >> 519 5209 G 709 0001 >> 709 0223 G 719 0001 >> 719 2526 G 739 0001 >> 739 0002 G 739 1001 >> 739 1001 G 739 2001 >> 739 2007 G 739 3001 >> 739 3003 G 739 4001 >> 739 4004		X	902/04 902/05 902/06 901/06 901/07 901/75 901/76 901/77 901/78 901/79
6	900 061 057 02	stud BM 8 X 15		2		(12)	* 901 301 191 02	gasket 0,15 MM G 509 0001 >> 509 0462 G 519 0001 >> 519 1141 G 519 5001 >> 519 5209 G 709 0001 >> 709 0223 G 719 0001 >> 719 2526 G 739 0001 >> 739 0002 G 739 1001 >> 739 1001 G 739 2001 >> 739 2007 G 739 3001 >> 739 3003 G 739 4001 >> 739 4004		X	902/04 902/05 902/06 901/06 901/07 901/75 901/76 901/77 901/78 901/79
7	999 062 001 02	stud BM 6 X 10		2				G 509 0001 >> 509 0462 G 519 0001 >> 519 1141 G 519 5001 >> 519 5209 G 709 0001 >> 709 0223 G 719 0001 >> 719 2526 G 739 0001 >> 739 0002 G 739 1001 >> 739 1001 G 739 2001 >> 739 2007 G 739 3001 >> 739 3003 G 739 4001 >> 739 4004			
8	900 093 005 02	grooved nail 6 X 20 G 509 0001 >> 509 0462 G 519 0001 >> 519 1141 G 519 5001 >> 519 5209 G 709 0001 >> 709 0223 G 719 0001 >> 719 2526 G 739 0001 >> 739 0002 G 739 1001 >> 739 1001 G 739 2001 >> 739 2007 G 739 3001 >> 739 3003 G 739 4001 >> 739 4004		1	902/04 902/05 902/06 901/06 901/07 901/75 901/76 901/77 901/78 901/79	(12)	* 901 301 191 03	gasket 0,2 MM G 509 0001 >> 509 0462 G 519 0001 >> 519 1141 G 519 5001 >> 519 5209 G 709 0001 >> 709 0223 G 719 0001 >> 719 2526 G 739 0001 >> 739 0002 G 739 1001 >> 739 1001 G 739 2001 >> 739 2007 G 739 3001 >> 739 3003 G 739 4001 >> 739 4004		X	902/04 902/05 902/06 901/06 901/07 901/75 901/76 901/77 901/78 901/79
9	* 999 113 048 50	sealing ring		1				G 509 0001 >> 509 0462 G 519 0001 >> 519 1141 G 519 5001 >> 519 5209 G 709 0001 >> 709 0223 G 719 0001 >> 719 2526 G 739 0001 >> 739 0002 G 739 1001 >> 739 1001 G 739 2001 >> 739 2007 G 739 3001 >> 739 3003 G 739 4001 >> 739 4004			
10	* 999 113 058 50	radial sealing ring 45 X 65 X 10/1 G 509 0001 >> 509 0462 G 519 0001 >> 519 1141 G 519 5001 >> 519 5209 G 709 0001 >> 709 0223 G 719 0001 >> 719 2526 G 739 0001 >> 739 0002 G 739 1001 >> 739 1001 G 739 2001 >> 739 2007 G 739 3001 >> 739 3003 G 739 4001 >> 739 4004		2	902/04 902/05 902/06 901/06 901/07 901/75 901/76 901/77 901/78 901/79	13	999 042 301 01	snap ring SB 52		2	
						14	999 041 305 01	snap ring SB 79		1	
						15	999 064 019 02	screw plug		1	
11	904 301 071 00	bleeder		1		16	999 064 020 02	screw plug with magnet		1	
						17	901 303 017 01	cam follower for switch back-up light		1	
						18	N 012 432 1	lock washer 2,3		1	

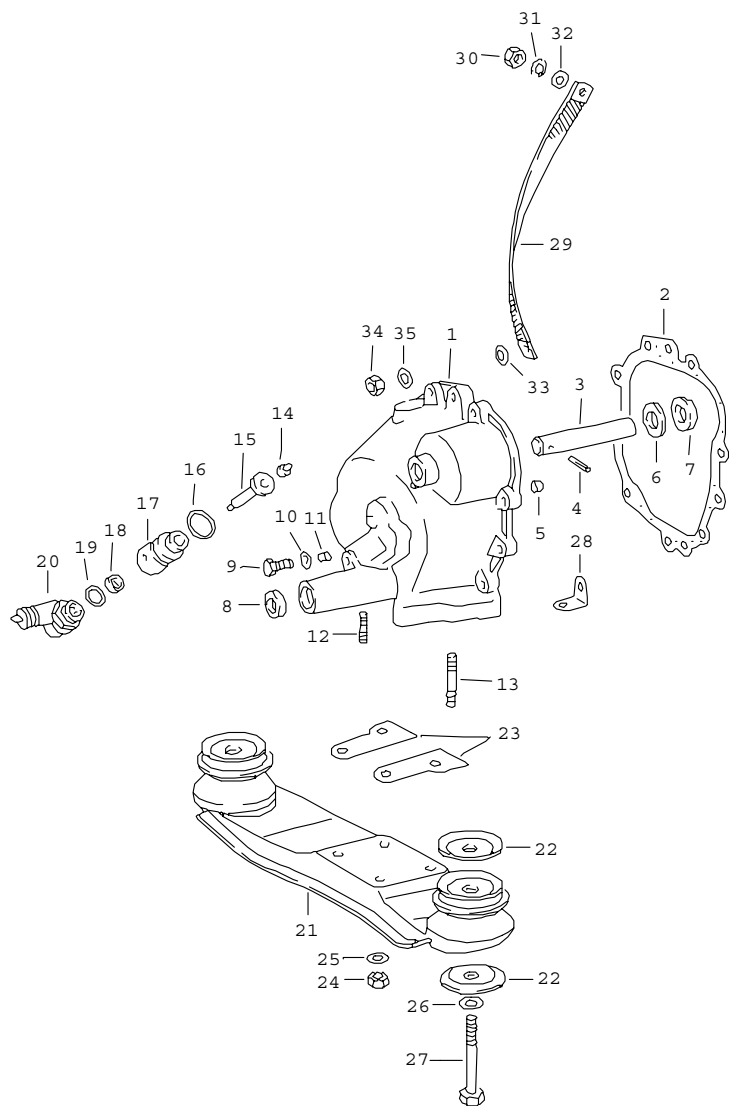
Model	Year	MG	SG	Illustration	Restrictions	Update	11:58	21.08.2006	PORSCHE	PET	PORSCHE
911	73	3	02	302-00		203					

Pos	Part Number	Name	Remarks	Qty	Model	Pos	Part Number	Name	Remarks	Qty	Model
19	914 613 541 02	back-up light switch without protection cap		1		27	N 010 239 11	hexagon-head bolt M 8 X 18		4	
20	914 613 491 00	protection cap		1				G 509 0001 >> 509 0462			902/04
21	901 301 221 01	intermediate plate		1				G 519 0001 >> 519 1141			902/05
		G 509 0001 >> 509 0462			902/04			G 519 5001 >> 519 5209			902/06
		G 519 0001 >> 519 1141			902/05			G 709 0001 >> 709 0223			901/06
		G 519 5001 >> 519 5209			902/06			G 719 0001 >> 719 2526			901/07
		G 709 0001 >> 709 0223			901/06			G 739 0001 >> 739 0002			901/75
		G 719 0001 >> 719 2526			901/07			G 739 1001 >> 739 1001			901/76
		G 739 0001 >> 739 0002			901/75			G 739 2001 >> 739 2007			901/77
		G 739 1001 >> 739 1001			901/76			G 739 3001 >> 739 3003			901/78
		G 739 2001 >> 739 2007			901/77			G 739 4001 >> 739 4004			901/79
		G 739 3001 >> 739 3003			901/78						
		G 739 4001 >> 739 4004			901/79						
22	900 012 027 00	straight pin 10 M 6 X 45		2		28	901 303 241 01	bush for gear lock detent		1	
		G 509 0001 >> 509 0462			902/04						
		G 519 0001 >> 519 1141			902/05						
		G 519 5001 >> 519 5209			902/06						
		G 709 0001 >> 709 0223			901/06						
		G 719 0001 >> 719 2526			901/07						
		G 739 0001 >> 739 0002			901/75						
		G 739 1001 >> 739 1001			901/76						
		G 739 2001 >> 739 2007			901/77						
		G 739 3001 >> 739 3003			901/78						
		G 739 4001 >> 739 4004			901/79						
23	999 052 016 00	four-point bearing		1		29	901 303 242 01	bush for gear lock detent		1	
24	999 053 025 00	angular-contact bearing		1		30	901 303 243 01	bush for gear lock detent		1	
25	901 301 251 01	tensioning plate		1		31	N 012 241 1	spring washer E 8		1	
		G 509 0001 >> 509 0462			902/04			G 509 0001 >> 509 0462			902/04
		G 519 0001 >> 519 1141			902/05			G 519 0001 >> 519 1141			902/05
		G 519 5001 >> 519 5209			902/06			G 519 5001 >> 519 5209			902/06
		G 709 0001 >> 709 0223			901/06			G 709 0001 >> 709 0223			901/06
		G 719 0001 >> 719 2526			901/07			G 719 0001 >> 719 2526			901/07
		G 739 0001 >> 739 0002			901/75			G 739 0001 >> 739 0002			901/75
		G 739 1001 >> 739 1001			901/76			G 739 1001 >> 739 1001			901/76
		G 739 2001 >> 739 2007			901/77			G 739 2001 >> 739 2007			901/77
		G 739 3001 >> 739 3003			901/78			G 739 3001 >> 739 3003			901/78
		G 739 4001 >> 739 4004			901/79			G 739 4001 >> 739 4004			901/79
26	999 039 001 00	tab washer		4		32	914 301 307 00	bolt for reverse lever		1	
		G 509 0001 >> 509 0462			902/04						
		G 519 0001 >> 519 1141			902/05						
		G 519 5001 >> 519 5209			902/06						
		G 709 0001 >> 709 0223			901/06						
		G 719 0001 >> 719 2526			901/07						
		G 739 0001 >> 739 0002			901/75						
		G 739 1001 >> 739 1001			901/76						
		G 739 2001 >> 739 2007			901/77						
		G 739 3001 >> 739 3003			901/78						
		G 739 4001 >> 739 4004			901/79						
						33	914 301 311 01	transmission cover lateral		1	
								G 509 0001 >> 509 0462			902/04
								G 519 0001 >> 519 1141			902/05
								G 519 5001 >> 519 5209			902/06
								G 709 0001 >> 709 0223			901/06
								G 719 0001 >> 719 2526			901/07
								G 739 0001 >> 739 0002			901/75
								G 739 1001 >> 739 1001			901/76
								G 739 2001 >> 739 2007			901/77
								G 739 3001 >> 739 3003			901/78
								G 739 4001 >> 739 4004			901/79

Model	Year	MG	SG	Illustration	Restrictions	Update	11:58	21.08.2006	PORSCHE	PET	PORSCHE
911	73	3	02	302-00		203					

Pos	Part Number	Name	Remarks	Qty	Model	Pos	Part Number	Name	Remarks	Qty	Model
34	* 901 301 391 01	gasket G 509 0001 >> 509 0462 G 519 0001 >> 519 1141 G 519 5001 >> 519 5209 G 709 0001 >> 709 0223 G 719 0001 >> 719 2526 G 739 0001 >> 739 0002 G 739 1001 >> 739 1001 G 739 2001 >> 739 2007 G 739 3001 >> 739 3003 G 739 4001 >> 739 4004		1	902/04 902/05 902/06 901/06 901/07 901/75 901/76 901/77 901/78 901/79						
35	N 012 241 1	spring washer B 8 G 509 0001 >> 509 0462 G 519 0001 >> 519 1141 G 519 5001 >> 519 5209 G 709 0001 >> 709 0223 G 719 0001 >> 719 2526 G 739 0001 >> 739 0002 G 739 1001 >> 739 1001 G 739 2001 >> 739 2007 G 739 3001 >> 739 3003 G 739 4001 >> 739 4004		19	902/04 902/05 902/06 901/06 901/07 901/75 901/76 901/77 901/78 901/79						
36	900 076 025 02	hexagon nut M 8 G 509 0001 >> 509 0462 G 519 0001 >> 519 1141 G 519 5001 >> 519 5209 G 709 0001 >> 709 0223 G 719 0001 >> 719 2526 G 739 0001 >> 739 0002 G 739 1001 >> 739 1001 G 739 2001 >> 739 2007 G 739 3001 >> 739 3003 G 739 4001 >> 739 4004		19	902/04 902/05 902/06 901/06 901/07 901/75 901/76 901/77 901/78 901/79						
- - - E N D - - -											

Model	Year	MG	SG	Illustration	Restrictions	Update	11:58	21.08.2006	PORSCHE	PET	PORSCHE
911	73	3	02	302-05		203					



Pos	Part Number	Name	Remarks	Qty	Model
		transmission cover transmission suspension chilled casting and die casting	-70		
1	901 301 031 02	transmission cover chilled casting (STIFTSCHRAUBEN LOSE) G 509 0001 >> 509 0462 G 519 0001 >> 519 1141 G 519 5001 >> 519 5209 G 709 0001 >> 709 0223 G 719 0001 >> 719 2526 G 739 0001 >> 739 0002 G 739 1001 >> 739 1001 G 739 2001 >> 739 2007 G 739 3001 >> 739 3003 G 739 4001 >> 739 4004		1	902/04 902/05 902/06 901/06 901/07 901/75 901/76 901/77 901/78 901/79
(1)	901 301 031 12	transmission cover die casting G 700 0001 >> 700 9999 G 710 0001 >> 710 9999 G 770 0001 >> 770 3000 G 730 9101 >> 730 9200 G 730 9201 >> 730 9300 G 730 9301 >> 730 9400 G 730 9401 >> 730 9500 G 730 9501 >> 730 9600 G 720 0001 >> 720 9999		1	911.300/00 911.300/01 911.300/01 911.300/80 911.300/81 911.300/82 911.300/83 911.300/84 905.300/20
2	* 901 301 392 01	gasket chilled casting		1	
(2)	* 901 301 392 12	gasket die casting		1	
3	901 302 255 01	bolt for reverse idler gear		1	
4	900 095 019 01	tensioning sleeve 5 X 30		1	
5	901 318 244 01	bearing sleeve		1	
6	901 302 296 01	thrust washer		1	
7	901 302 266 01	thrust washer		1	
8	* 900 112 001 50	radial sealing ring B 15 X 24 X 7 chilled casting		1	
(8)	* 999 113 185 40	shaft seal A 15 X 24 X 7 die casting		1	

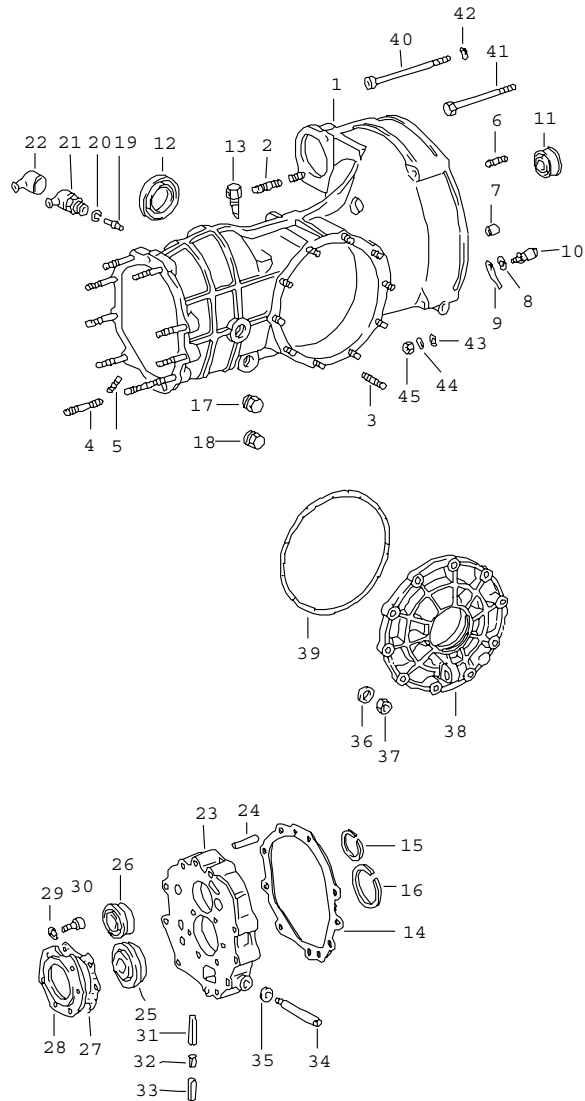
Model	Year	MG	SG	Illustration	Restrictions	Update	11:58	21.08.2006	PORSCHE	PET	PORSCHE
911	73	3	02	302-05		203					

Pos	Part Number	Name	Remarks	Qty	Model	Pos	Part Number	Name	Remarks	Qty	Model
9	901 318 272 03	hexagon-head bolt die casting		1		12	900 061 057 01	stud BM 8 X 15		4	
(9)	901 318 272 02	hexagon-head bolt chilled casting G 509 0001 >> 509 0462 G 519 0001 >> 519 1141 G 519 5001 >> 519 5209 G 709 0001 >> 709 0223 G 719 0001 >> 719 2526 G 739 0001 >> 739 0002 G 739 1001 >> 739 1001 G 739 2001 >> 739 2007 G 739 3001 >> 739 3003 G 739 4001 >> 739 4004		1	902/04 902/05 902/06 901/06 901/07 901/75 901/76 901/77 901/78 901/79	(12)	999 062 005 02	stud BM 8 X 18 die casting		2	902/04 902/05 902/06 901/06 901/07 901/75 901/76 901/77 901/78 901/79
10	N 012 241 1	spring washer B 8 chilled casting G 509 0001 >> 509 0462 G 519 0001 >> 519 1141 G 519 5001 >> 519 5209 G 709 0001 >> 709 0223 G 719 0001 >> 719 2526 G 739 0001 >> 739 0002 G 739 1001 >> 739 1001 G 739 2001 >> 739 2007 G 739 3001 >> 739 3003 G 739 4001 >> 739 4004		1	902/04 902/05 902/06 901/06 901/07 901/75 901/76 901/77 901/78 901/79	13	900 061 006 01	stud BM 8 X 20 G 509 0001 >> 509 0462 G 519 0001 >> 519 1141 G 519 5001 >> 519 5209 G 709 0001 >> 709 0223 G 719 0001 >> 719 2526 G 739 0001 >> 739 0002 G 739 1001 >> 739 1001 G 739 2001 >> 739 2007 G 739 3001 >> 739 3003 G 739 4001 >> 739 4004		2	902/04 902/05 902/06 901/06 901/07 901/75 901/76 901/77 901/78 901/79
(10)	900 031 001 02	washer 8,4 die casting		1		(13)	999 062 008 02	stud BM 8 X 25 die casting		2	
11	999 504 003 00	threaded insert heli-coil chilled casting G 509 0001 >> 509 0462 G 519 0001 >> 519 1141 G 519 5001 >> 519 5209 G 709 0001 >> 709 0223 G 719 0001 >> 719 2526 G 739 0001 >> 739 0002 G 739 1001 >> 739 1001 G 739 2001 >> 739 2007 G 739 3001 >> 739 3003 G 739 4001 >> 739 4004		2	902/04 902/05 902/06 901/06 901/07 901/75 901/76 901/77 901/78 901/79	14	901 318 273 01	stop pin		1	
						15	901 318 333 01	stub shaft for drive shaft crown wheel 7/31		1	
						16	* 999 701 084 50	o-ring 25,3-2,4		1	
						17	901 318 243 12	guide bush		1	
(11)	999 504 070 00	threaded insert heli-coil		1		18	* 999 113 036 50	radial sealing ring BA-FG 10 X 18 X 6		1	
						19	914 318 261 01	sealing washer		1	
						20	911 318 029 00	v-drive complete		1	

Model	Year	MG	SG	Illustration	Restrictions	Update	11:58	21.08.2006	PORSCHE	PET	PORSCHE
911	73	3	02	302-05		203					

Pos	Part Number	Name	Remarks	Qty	Model	Pos	Part Number	Name	Remarks	Qty	Model
21	901 375 031 00	transmission carrier G 509 0001 >> 509 0462 G 519 0001 >> 519 1141 G 519 5001 >> 519 5209 G 709 0001 >> 709 0223 G 719 0001 >> 719 2526 G 739 0001 >> 739 0002 G 739 1001 >> 739 1001 G 739 2001 >> 739 2007 G 739 3001 >> 739 3003 G 739 4001 >> 739 4004		1	902/04 902/05 902/06 901/06 901/07 901/75 901/76 901/77 901/78 901/79	31	N 012 132 2	shake-proof washer A 8,4 die casting		1	
(21)	901 375 031 00	transmission carrier die casting		1		(31)	N 012 132 2	shake-proof washer A 8,4 chilled casting G 509 0001 >> 509 0462 G 519 0001 >> 519 1141 G 519 5001 >> 519 5209 G 709 0001 >> 709 0223 G 719 0001 >> 719 2526 G 739 0001 >> 739 0002 G 739 1001 >> 739 1001 G 739 2001 >> 739 2007 G 739 3001 >> 739 3003 G 739 4001 >> 739 4004		1	902/04 902/05 902/06 901/06 901/07 901/75 901/76 901/77 901/78 901/79
22	901 305 311 00	seat chilled casting		4							
(22)	901 305 311 00	seat die casting		2		32	900 025 025 02	washer 8,4 die casting		1	
23	901 375 311 00	plate die casting		2		(32)	900 025 025 02	washer B 8,4 chilled casting G 509 0001 >> 509 0462 G 519 0001 >> 519 1141 G 519 5001 >> 519 5209 G 709 0001 >> 709 0223 G 719 0001 >> 719 2526 G 739 0001 >> 739 0002 G 739 1001 >> 739 1001 G 739 2001 >> 739 2007 G 739 3001 >> 739 3003 G 739 4001 >> 739 4004		2	902/04 902/05 902/06 901/06 901/07 901/75 901/76 901/77 901/78 901/79
24	999 090 101 02	mid-grip nut		4							
25	900 031 001 02	washer 8,4		4							
26	900 027 017 02	lock ring B 12		2							
27	901 305 317 00	hexagon-head bolt		2							
28	901 423 369 00	retaining bracket chilled casting		2							
29	999 611 918 20	ground strap		1		33	999 151 022 02	washer 20 X 8,4 X 2 die casting		2	
30	900 076 030 02	hexagon nut M 8 die casting		1		34	999 090 101 02	mid-grip nut die casting		X	
(30)	900 076 030 02	hexagon nut M 8 chilled casting G 509 0001 >> 509 0462 G 519 0001 >> 519 1141 G 519 5001 >> 519 5209 G 709 0001 >> 709 0223 G 719 0001 >> 719 2526 G 739 0001 >> 739 0002 G 739 1001 >> 739 1001 G 739 2001 >> 739 2007 G 739 3001 >> 739 3003 G 739 4001 >> 739 4004		1	902/04 902/05 902/06 901/06 901/07 901/75 901/76 901/77 901/78 901/79	35	900 031 001 02	washer 8,4 die casting		X	
- - - E N D - - -											

Model	Year	MG	SG	Illustration	Restrictions	Update	11:58	21.08.2006	PORSCHE	PET	PORSCHE
911	73	3	02	302-10		203					



Pos	Part Number	Name	Remarks	Qty	Model
		replacement transmission case transmission case die casting	-71		
1	911 301 010 00	transmission case complete	-70	1	911.300/00 911.300/01 911.300/01 911.300/80 911.300/81 911.300/82 911.300/83 911.300/84 905.300/20
	G 700 0001	>> 700 9999			
	G 710 0001	>> 710 9999			
	G 770 0001	>> 770 3000			
	G 730 9101	>> 730 9200			
	G 730 9201	>> 730 9300			
	G 730 9301	>> 730 9400			
	G 730 9401	>> 730 9500			
	G 730 9501	>> 730 9600			
	G 720 0001	>> 720 9999			
2	900 061 014 02	stud BM 10 X 22		1	
3	999 062 044 02	stud		10	
4	999 062 046 02	stud BM 8 X 65		9	
5	900 061 057 02	stud BM 8 X 15		2	
6	999 062 001 02	stud BM 6 X 10		2	
7	911 301 037 00	bush	-70	1	911.300/00 911.300/01 911.300/01 911.300/80 911.300/81 911.300/82 911.300/83 911.300/84 905.300/20
	G 700 0001	>> 700 9999			
	G 710 0001	>> 710 9999			
	G 770 0001	>> 770 3000			
	G 730 9101	>> 730 9200			
	G 730 9201	>> 730 9300			
	G 730 9301	>> 730 9400			
	G 730 9401	>> 730 9500			
	G 730 9501	>> 730 9600			
	G 720 0001	>> 720 9999			
8	911 116 743 01	washer see group 3/01/05	-70	1	911.300/00 911.300/01 911.300/01 911.300/80 911.300/81 911.300/82 911.300/83 911.300/84 905.300/20
	G 700 0001	>> 700 9999			
	G 710 0001	>> 710 9999			
	G 770 0001	>> 770 3000			
	G 730 9101	>> 730 9200			
	G 730 9201	>> 730 9300			
	G 730 9301	>> 730 9400			
	G 730 9401	>> 730 9500			
	G 730 9501	>> 730 9600			
	G 720 0001	>> 720 9999			

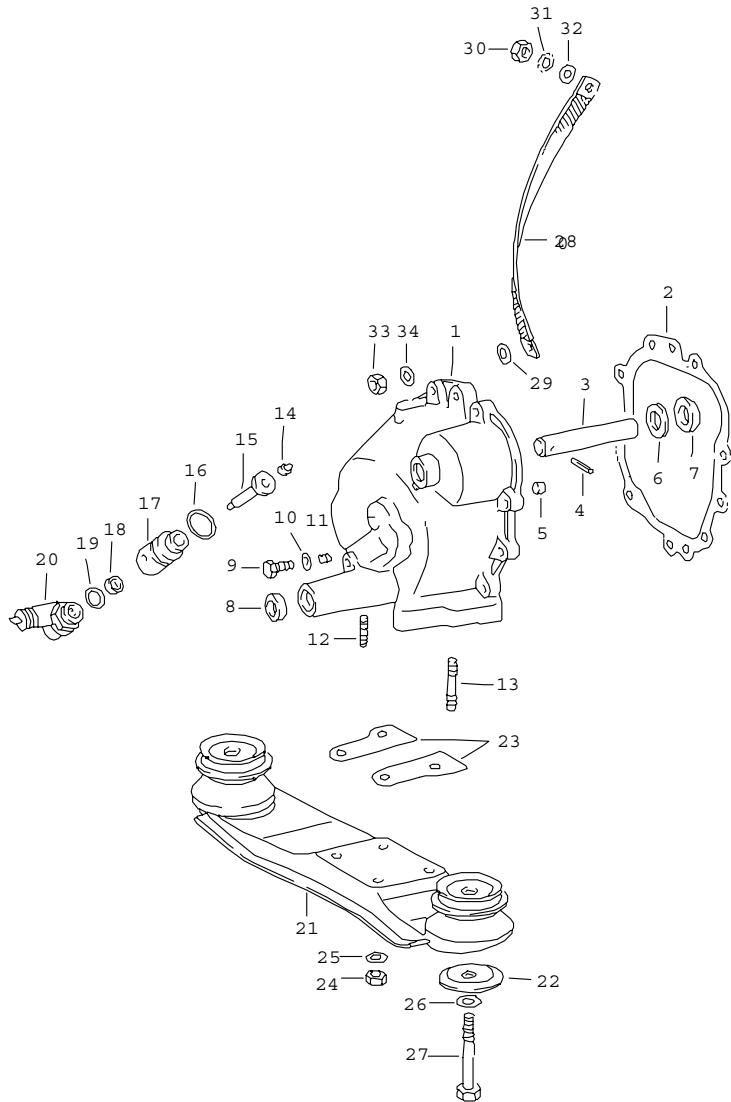
Model	Year	MG	SG	Illustration	Restrictions	Update	11:58	21.08.2006	PORSCHE	PET	PORSCHE
911	73	3	02	302-10		203					

Pos	Part Number	Name	Remarks	Qty	Model	Pos	Part Number	Name	Remarks	Qty	Model
9	911 116 774 01	leaf spring see group 3/01/05		1		22	914 613 491 00	rubber cap		1	
		G 700 0001 >> 700 9999	-70		911.300/00	23	911 301 221 00	intermediate plate		1	
		G 710 0001 >> 710 9999			911.300/01	24	900 012 028 00	straight pin 10 M 6 X 50		2	
		G 770 0001 >> 770 3000			911.300/01	25	999 052 016 00	four-point bearing		1	
		G 730 9101 >> 730 9200			911.300/80	26	999 053 025 00	angular-contact bearing		1	
		G 730 9201 >> 730 9300			911.300/81	27	901 301 255 13	plate		1	
		G 730 9301 >> 730 9400			911.300/82	28	901 301 035 13	tensioning plate		1	
		G 730 9401 >> 730 9500			911.300/83	29	900 025 007 02	washer		6	
		G 730 9501 >> 730 9600			911.300/84	30	999 509 010 00	pan-head screw		6	
		G 720 0001 >> 720 9999			905.300/20	31	901 303 241 01	bush for gear lock detent		1	
10	911 116 772 11	ball pin see group 3/01/05		1		32	901 303 242 01	bush for gear lock detent		1	
		G 700 0001 >> 700 9999	-70		911.300/00	33	901 303 243 01	bush for gear lock detent		1	
		G 710 0001 >> 710 9999			911.300/01	34	914 301 307 00	bolt for reverse lever		1	
		G 770 0001 >> 770 3000			911.300/01	35	900 031 001 02	washer 8,4		1	
		G 730 9101 >> 730 9200			911.300/80	36	900 031 001 02	washer 8,4		16	
		G 730 9201 >> 730 9300			911.300/81	37	999 090 101 02	mid-grip nut		19	
		G 730 9301 >> 730 9400			911.300/82	38	911 301 311 00	transmission cover lateral		1	
		G 730 9401 >> 730 9500			911.300/83			G 700 0001 >> 700 9999	-70		911.300/00
		G 730 9501 >> 730 9600			911.300/84			G 710 0001 >> 710 9999			911.300/01
		G 720 0001 >> 720 9999			905.300/20			G 770 0001 >> 770 3000			911.300/01
11	* 999 113 048 50	radial sealing ring		1				G 730 9101 >> 730 9200			911.300/80
12	* 999 113 130 50	radial sealing ring 45 X 68 X 10		2				G 730 9201 >> 730 9300			911.300/81
13	904 301 071 00	bleeder		1				G 730 9301 >> 730 9400			911.300/82
14	* 901 301 191 21	gasket 0,1 MM		X				G 730 9401 >> 730 9500			911.300/83
(14)	* 901 301 191 22	gasket 0,15 MM		X				G 730 9501 >> 730 9600			911.300/84
(14)	* 901 301 191 23	gasket 0,2 MM		X				G 720 0001 >> 720 9999			905.300/20
15	999 042 301 01	snap ring SB 52		2		39	* 113 301 185 A	gasket		1	
16	999 041 305 01	snap ring SB 79		1							
17	999 064 019 02	screw plug		1							
18	999 064 020 02	screw plug with magnet		1							
19	901 303 017 01	cam follower		1							
20	N 012 432 1	lock washer		1							
21	914 613 541 02	back-up light switch		1							

Model	Year	MG	SG	Illustration	Restrictions	Update	11:58	21.08.2006	PORSCHE	PET	PORSCHE
911	73	3	02	302-10		203					

Pos	Part Number	Name	Remarks	Qty	Model	Pos	Part Number	Name	Remarks	Qty	Model
40	900 067 074 02	pan-head screw M 10 X 110		1							
41	900 155 023 02	hexagon-head bolt M 10 X 72		1							
42	901 604 581 00	spring washer		1							
43	900 031 005 02	washer \$ 10,5		3							
44	999 523 103 01	lock washer M 10		3							
45	900 157 002 02	hexagon nut M 10		2							
		- - - E N D - - -									

Model	Year	MG	SG	Illustration	Restrictions	Update	11:58	21.08.2006	PORSCHE	PET	PORSCHE
911	73	3	02	302-15		203					

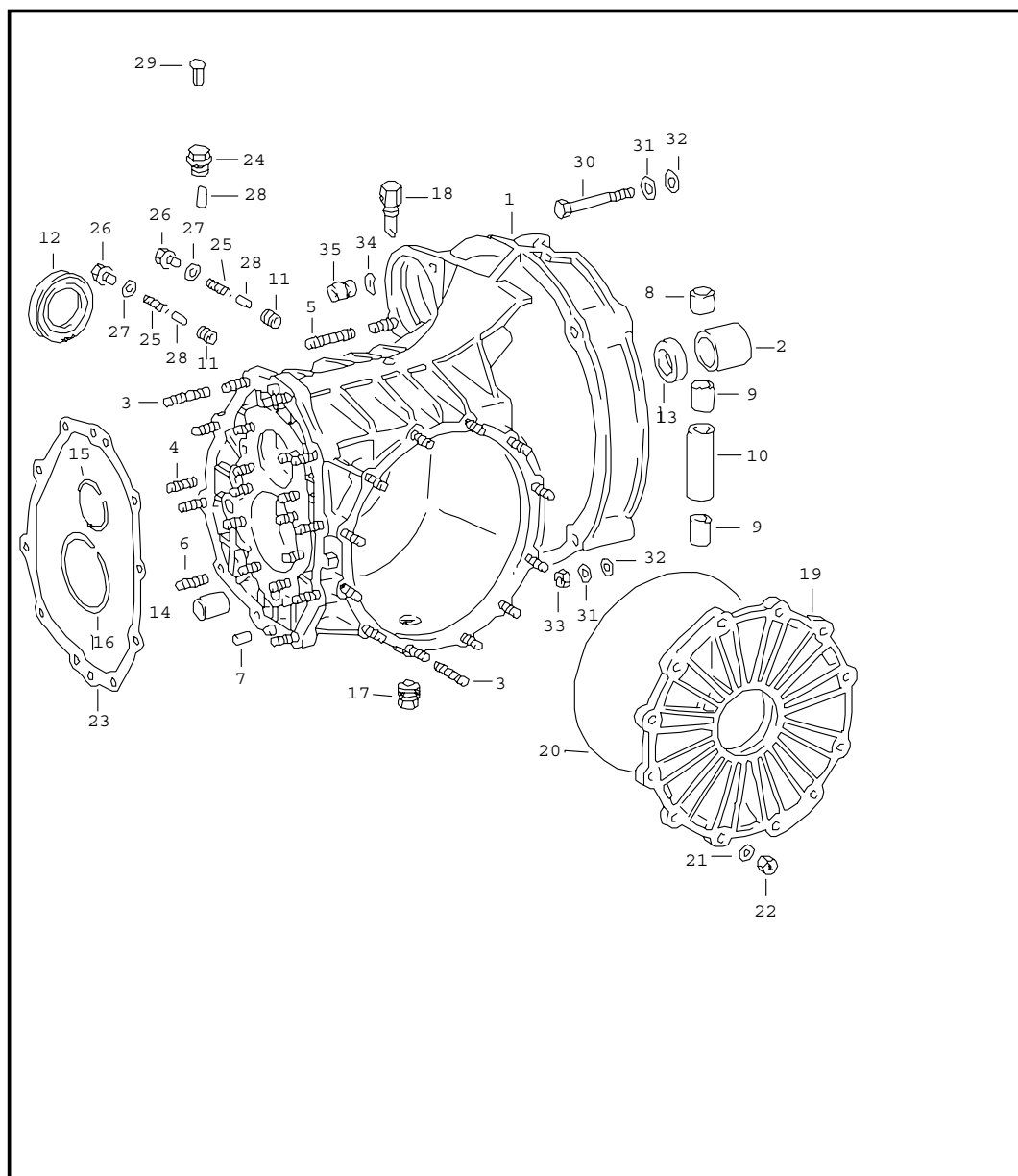


Pos	Part Number	Name	Remarks	Qty	Model
		transmission cover transmission suspension die casting	71		
1	901 301 031 12	transmission cover		1	
2	* 901 301 392 12	gasket		1	
3	901 302 255 01	bolt for reverse idler gear		1	
4	900 095 019 01	tensioning sleeve 5 X 30		1	
5	901 318 244 01	bearing sleeve		1	
6	901 302 296 01	thrust washer		1	
7	901 302 266 01	thrust washer for reverse gear		1	
8	* 999 113 185 40	shaft seal A 15 X 24 X 7		1	
9	901 318 272 03	hexagon-head bolt		1	
10	900 031 001 02	washer 8,4		1	
11	999 504 070 00	threaded insert heli-coil		1	
12	999 062 005 02	stud BM 8 X 18		2	
13	999 062 008 02	stud BM 8 X 25		2	
14	901 318 273 01	stop pin		1	
15	901 318 333 01	stub shaft		1	
16	* 999 701 084 50	o-ring OR 25,3 - 2,4		1	
17	901 318 243 12	guide bush		1	
18	* 999 113 036 50	radial sealing ring BA-FG 10 X 18 X 6		1	
19	914 318 261 01	sealing washer		1	
20	911 318 029 00	v-drive		1	
21	901 375 031 00	transmission carrier		1	

Model	Year	MG	SG	Illustration	Restrictions	Update	11:58	21.08.2006	PORSCHE	PET	PORSCHE
911	73	3	02	302-15		203					

Pos	Part Number	Name	Remarks	Qty	Model	Pos	Part Number	Name	Remarks	Qty	Model
22	901 305 311 00	seat		2							
23	901 375 311 00	plate		2							
24	999 090 101 02	mid-grip nut		4							
25	900 031 001 02	washer 8,4		4							
26	900 027 017 02	lock ring B 12		2							
27	901 305 317 00	hexagon-head bolt		2							
28	999 611 918 20	ground strap		1							
29	999 151 022 02	washer 20 X 8,4 X 2		2							
30	900 076 030 02	hexagon nut M 8		1							
31	N 012 132 2	shake-proof washer A 8,4		1							
32	900 025 025 02	washer 8,4		1							
33	999 090 101 02	mid-grip nut		X							
34	900 031 001 02	washer 8,4		X							
		- - - E N D - - -									

Model	Year	MG	SG	Illustration	Restrictions	Update	11:59	21.08.2006	PORSCHE	PET	PORSCHE
911	73	3	02	302-20		203					



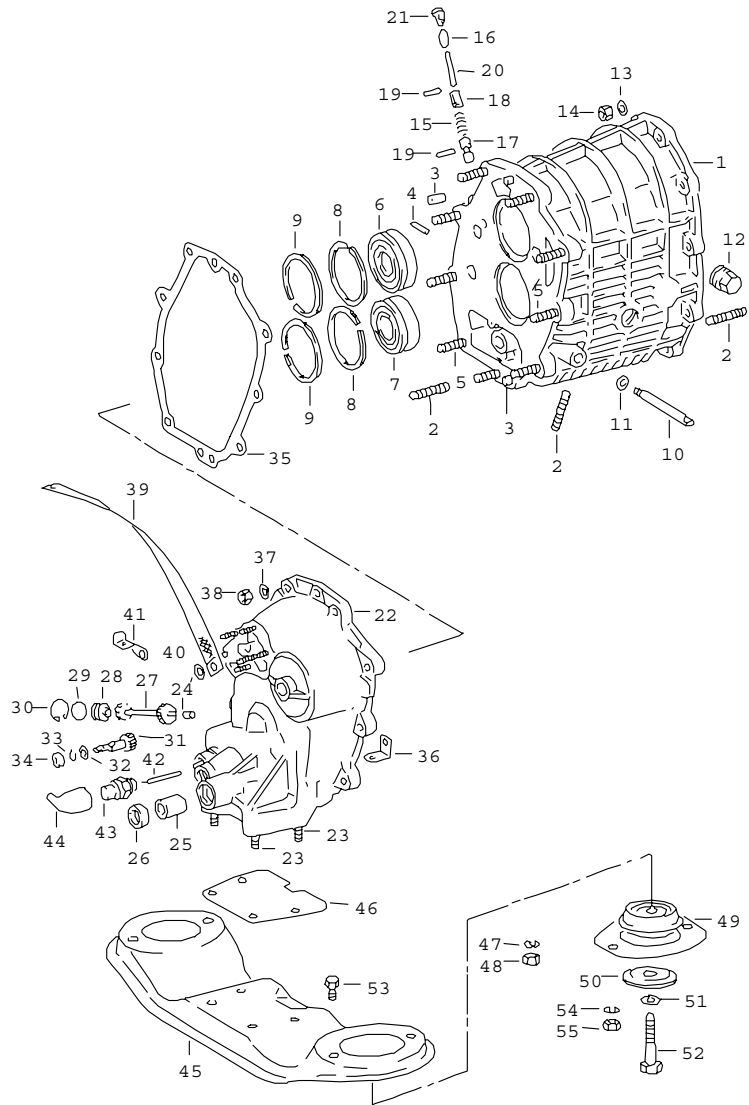
Pos	Part Number	Name	Remarks	Qty	Model
		transmission case TYP 915	72-		
1	915 301 901 03	transmission case complete		1	
2	-	guide tube		1	
3	999 062 139 02	stud BM 8 X 26		20	
4	999 062 073 02	stud BM 8 X 20		4	
5	999 062 182 02	stud BM 10 X 25		1	
6	999 062 073 02	stud BM 8 X 20		6	
7	900 012 110 00	straight pin 10 M 6 X 14		2	
8	915 301 125 01	bearing sleeve I		1	
9	915 301 129 00	bush for transmission		2	
10	915 301 133 00	pipe		1	
11	999 504 047 00	heli-coil threaded insert		2	
12	* 999 113 183 40	radial shaft seal		2	
13	* 915 302 381 00	shaft seal G 733 7575 >> G 723 0507 >> G 783 0838 >>		1	
(13)	* 999 113 182 40	shaft seal G >> 733 7374 G >> 723 0507 G >> 783 0830		1	
14	915 303 249 00	sleeve		1	
15	999 041 327 01	snap ring SB 62		1	

Model	Year	MG	SG	Illustration	Restrictions	Update	11:59	21.08.2006	PORSCHE	PET	PORSCHE
911	73	3	02	302-20		203					

Pos	Part Number	Name	Remarks	Qty	Model	Pos	Part Number	Name	Remarks	Qty	Model
16	915 301 122 00	snap ring SB 80 G >> 732 2781 and G >> 722 0304 not for CARRERA 2.7		1	911 T-E/E/S 911 T-V 911 T-K	33	900 157 002 02	hexagon nut M 10		2	
						34	N 012 242 3	spring washer B 10 X 18		2	
						35	901 104 382 02	cylinder head nut		2	
17	999 064 020 02	screw plug with magnet M 24 X 1,5		1				- - - E N D - - -			
18	904 301 071 00	bleeder		1							
19	915 301 311 00	transmission cover lateral		1							
20	* 999 701 392 40	o-ring		1							
21	900 031 001 02	washer 8,4		12							
22	999 090 101 02	mid-grip nut		12							
23	* 915 301 191 00	gasket		1							
24	900 065 014 02	screw plug M 16 X 1,5 G >> 732 8537 and G >> 722 1133 not for CARRERA 2.7		1	911 T-E/E/S 911 T-V 911 T-K						
25	915 303 232 00	spring		2							
26	900 075 352 02	hexagon-head bolt M 10 X 8		2							
27	* 900 123 066 30	sealing ring A 10 X 16		2							
28	915 303 131 00	detent short		3							
29	915 301 126 00	locking bolt		1							
30	900 155 023 02	hexagon-head bolt M 10 X 72		1							
31	999 523 103 01	lock washer M 10		2							
32	900 031 005 02	washer 10,5		5							

Model	Year	MG	SG	Illustration	Restrictions	Update	11:59	21.08.2006	PORSCHE	PET	PORSCHE
911	73	3	02	302-25		203					

Pos	Part Number	Name	Remarks	Qty	Model
		gear housing complete transmission case front and transmission suspension	72-		
1	915 301 902 00	gear housing complete		1	
2	999 062 139 02	stud BM 8 X 26		13	
3	900 012 110 00	straight pin 10 M 6 X 14		2	
4	-	straight pin 5 M 6 X 20		1	
5	999 062 044 02	stud BM 8 X 30		2	
6	999 110 025 00	cylindrical-roller bearing		1	
7	999 110 017 00	cylindrical-roller bearing		1	
8	900 111 001 00	snap ring SP 62		2	
9	999 152 031 01	snap ring SB 68		2	
10	914 301 307 00	bolt for reverse lever		1	
11	900 031 001 02	washer 8,4		1	
12	999 064 019 02	screw plug		1	
13	900 031 001 02	washer 8,4		10	
14	999 090 101 02	mid-grip nut		10	
15	915 303 232 00	spring		1	
16	915 303 131 00	detent short		1	
17	915 303 130 00	detent long		1	
18	915 303 135 00	sleeve		1	
19	900 308 009 00	spiral clamping pin 3,5 X 18		2	



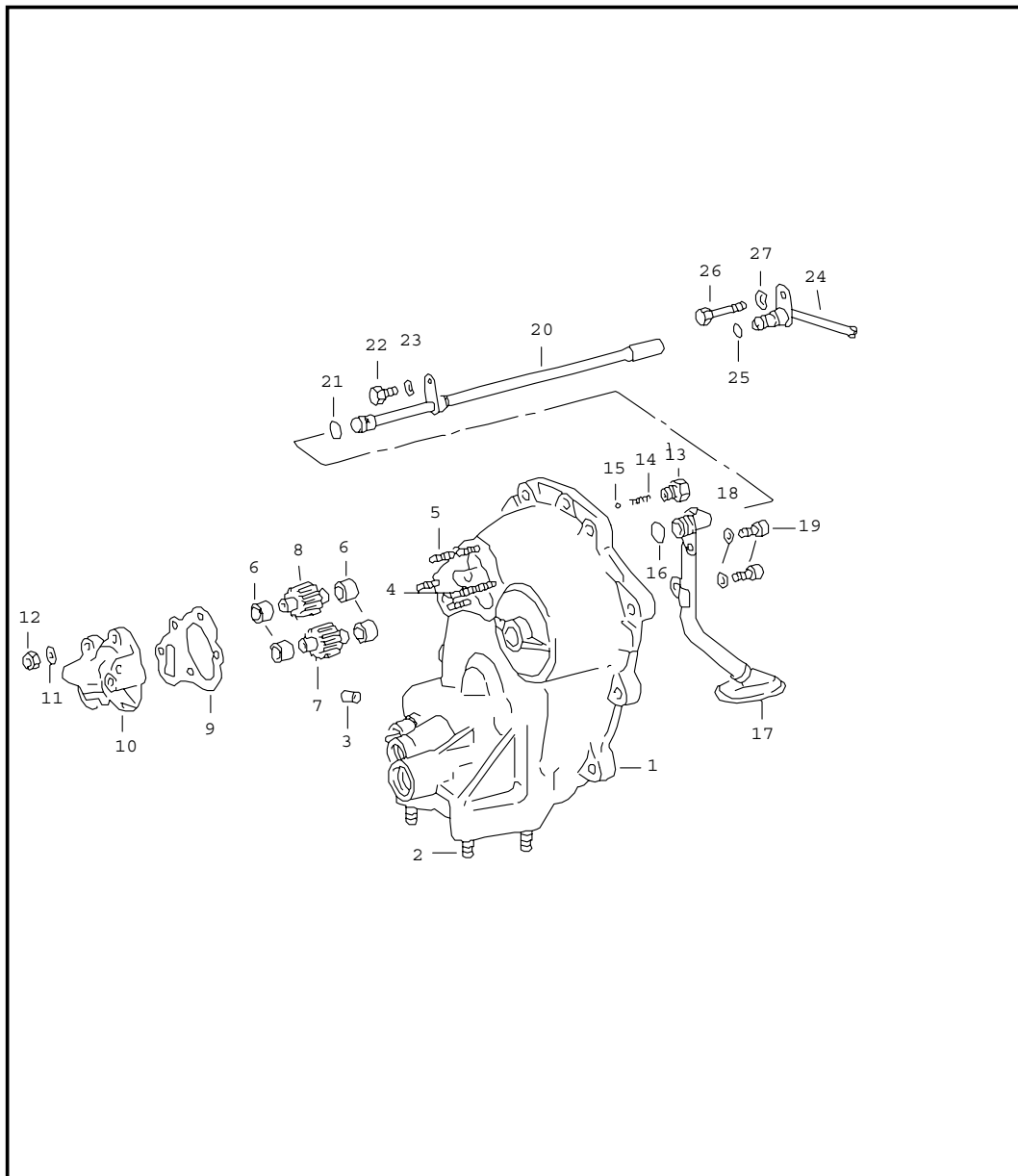
Model	Year	MG	SG	Illustration	Restrictions	Update	11:59	21.08.2006	PORSCHE	PET	PORSCHE
911	73	3	02	302-25		203					

Pos	Part Number	Name	Remarks	Qty	Model	Pos	Part Number	Name	Remarks	Qty	Model
20	915 303 271 00	pin		1		35	* 915 301 351 00	gasket for gear housing		1	
21	915 301 126 00	locking bolt		1							
22	915 301 903 01	transmission cover front complete for CARRERA 2.7 G 783 0871 >>		1		36	901 423 369 00	retaining bracket for clutch cable		1	
23	999 062 006 02	stud BM 8 X 20 not for CARRERA 2.7		4		37	900 031 001 02	washer 8,4		9	
24	915 318 339 00	bearing sleeve not for CARRERA 2.7		1		38	999 090 101 02	mid-grip nut		9	
-	999 703 385 40	plug not for CARRERA 2.7		1		39	999 611 920 20	ground strap		1	
(22)	-	transmission cover front complete for transmission with oil pump see group 3/02/30				40	999 151 022 02	washer 20 X 8,4 X 2		2	
25	915 303 249 00	sleeve		1		41	915 301 369 00	clip		1	
26	* 999 113 185 40	shaft seal A 15 X 24 X 7		1		42	915 303 145 00	cam follower		1	
27	915 318 033 00	shaft		1		43	914 613 541 02	back-up light switch		1	
28	915 318 307 00	dowel sleeve		1		44	914 613 491 00	protection cap		1	
29	* 999 701 349 40	o-ring		1		45	911 375 033 01	transmission carrier		1	
30	900 042 004 01	circlip 22 X 1		1		46	911 375 311 00	plate		1	
31	915 318 034 00	shaft wheel 4		1		47	900 031 001 02	washer 8,4		4	
32	915 318 337 00	thrust washer		1		48	999 090 101 02	mid-grip nut		4	
33	N 012 407 1	outer ring 7 X 0,8		1		49	911 375 043 00	transmission mounting		2	
34	* 999 113 175 40	shaft seal		1		50	901 305 311 00	seat		2	
						51	900 027 017 02	lock ring B 12		2	
						52	901 305 317 00	hexagon-head bolt		2	
						53	900 075 087 02	hexagon-head bolt M 8 X 16		4	
						54	900 027 015 02	lock ring B 8		4	
						55	900 076 025 02	hexagon nut M 8		4	
						-	911 385 035 00	protective plate stone guard for engine and transmission	M	X	

Model	Year	MG	SG	Illustration	Restrictions	Update					
911	73	3	02	302-25		203	11:59	21.08.2006	PORSCHE	PET	PORSCHE

Pos	Part Number	Name	Remarks	Qty	Model	Pos	Part Number	Name	Remarks	Qty	Model
		- - - E N D - - -									

Model	Year	MG	SG	Illustration	Restrictions	Update	11:59	21.08.2006	PORSCHE	PET	PORSCHE
911	73	3	02	302-30		203					

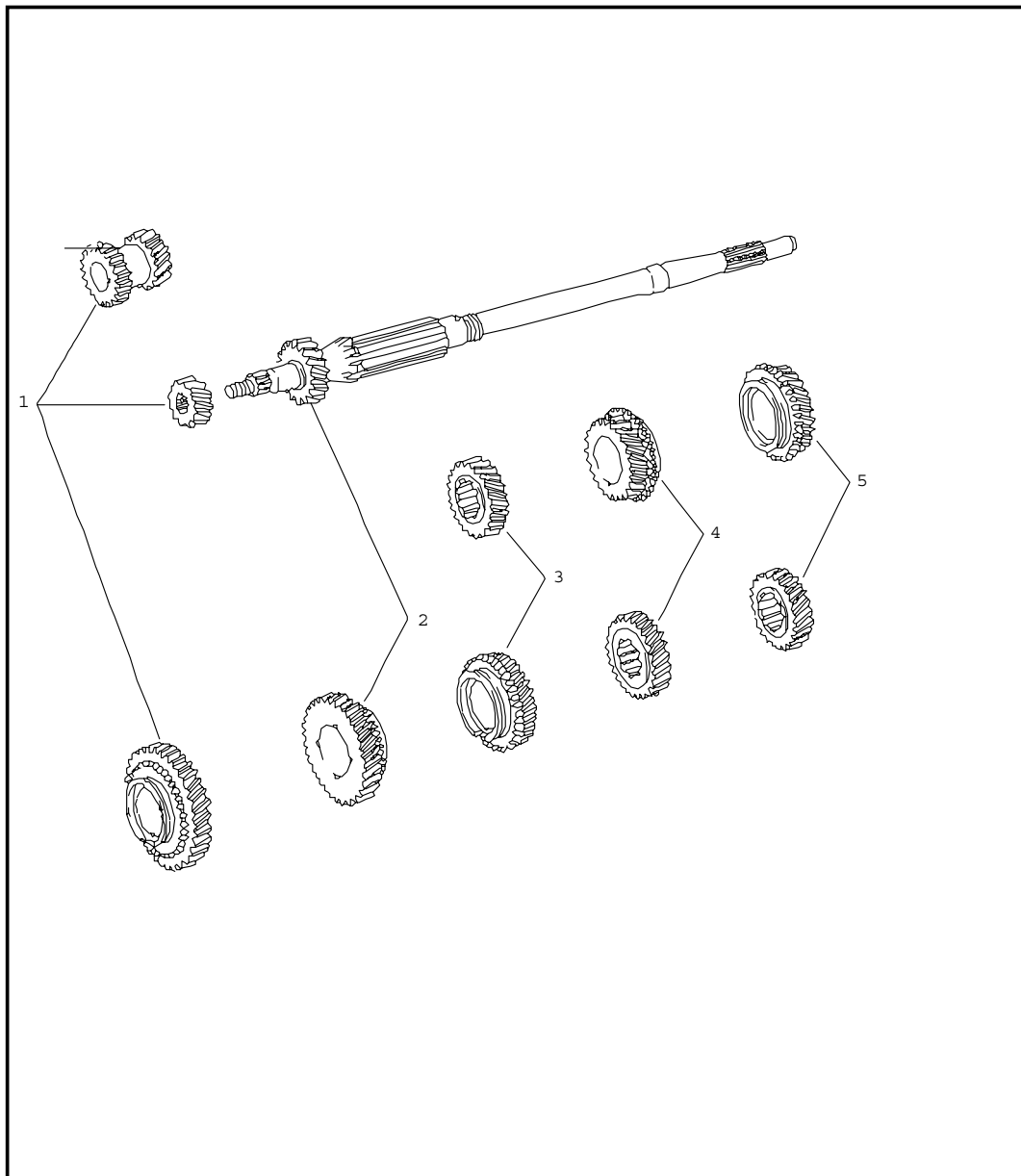


Pos	Part Number	Name	Remarks	Qty	Model
		transmission oil pump G >> 783 0870	72-		CARRERA 2.7
1	915 301 903 00	transmission cover front complete		1	
2	999 062 006 02	stud BM 8 X 20		4	
3	915 318 339 00	bearing sleeve		1	
-	999 703 385 40	plug		1	
4	900 061 159 02	stud BM 6 X 38		1	
5	999 062 003 02	stud BM 6 X 18		4	
6	915 307 243 01	bearing sleeve		4	
7	915 307 240 00	oil pump gear		1	
8	915 307 241 00	oil pump gear		1	
9	* 915 307 311 00	gasket 0,15 MM		X	
(9)	* 915 307 311 01	gasket 0,2 MM		X	
10	915 307 033 00	cover oil pump complete with bearing sleeve		1	
11	900 031 011 02	washer 6,4		5	
12	999 090 102 02	mid-grip nut M 6		5	
13	915 307 319 00	screw plug		1	
14	915 307 321 00	spring		1	
15	N 025 667 2	ball 9 MM V		1	
16	* 999 701 012 40	ring		1	
17	915 307 035 01	pipe		1	
18	900 027 014 01	lock ring B 6		2	

Model	Year	MG	SG	Illustration	Restrictions	Update	11:59	21.08.2006	PORSCHE	PET	PORSCHE
911	73	3	02	302-30		203					

Pos	Part Number	Name	Remarks	Qty	Model	Pos	Part Number	Name	Remarks	Qty	Model
19	900 067 009 02	pan-head screw M 6 X 15		2							
20	915 307 036 01	pressure pipe		1							
21	* 999 701 281 40	o-ring		1							
22	900 075 010 02	hexagon-head bolt M 6 X 12		1							
23	900 028 008 01	spring washer B 6		1							
24	915 307 039 01	pressure pipe		1							
25	* 999 701 345 40	o-ring		1							
26	N 010 347 5	hexagon-head bolt M 6 X 35		1							
27	900 028 008 01	spring washer B6		1							
		- - - E N D - - -									

Model	Year	MG	SG	Illustration	Restrictions	Update	11:59	21.08.2006	PORSCHE	PET	PORSCHE
911	73	3	03	303-00		203					



Pos	Part Number	Name	Remarks	Qty	Model
		gear sets 5-speed transmission	-71		
		gear sets 901/07 standard	-70		911 E/S 911 T
			M		
1	911 302 903 00	gear set 1st gear Z = 11:34 (A) fixed gear wheel loose gear wheel reverse idler gear		1	
2	911 302 904 00	drive shaft and gear wheel II 2nd gear Z = 18:34 (F) drive shaft loose gear wheel		1	
3	901 302 909 10	gear wheel pair 3rd speed Z = 22:29 (M) fixed gear wheel loose gear wheel		1	
4	904 302 929 10	gear wheel pair 4th speed Z = 25:26 (S) loose gear wheel fixed gear wheel		1	
5	901 302 918 10	gear wheel pair 5th speed Z = 29:23 (X) loose gear wheel fixed gear wheel		1	
		gear sets 902/06 + 902.300/16 standard	-70		
1	911 302 903 00	gear set 1st gear Z = 11:34 (A) loose gear wheel fixed gear wheel reverse idler gear		1	

Model	Year	MG	SG	Illustration	Restrictions	Update	11:59	21.08.2006	PORSCHE	PET	PORSCHE
911	73	3	03	303-00		203					

Pos	Part Number	Name	Remarks	Qty	Model	Pos	Part Number	Name	Remarks	Qty	Model
2	911 302 907 00	drive shaft and gear wheel II 2nd gear Z = 18:32 (GA) fixed gear wheel loose gear wheel		1		4	904 302 929 10	gear wheel pair 4th speed Z = 25:26 (S) loose gear wheel fixed gear wheel		1	
3	904 302 916 10	gear wheel pair 3rd speed Z = 23:28 (O) fixed gear wheel loose gear wheel		1		5	901 302 918 10	gear wheel pair 5th speed Z = 29:23 (Z) loose gear wheel fixed gear wheel		1	
4	904 302 921 10	gear wheel pair 4th speed Z = 26:25 (U) loose gear wheel fixed gear wheel		1		1	911 302 903 00	gear set 1st gear Z = 11:34 (A) fixed gear wheel loose gear wheel reverse idler gear	70- M	1	911 E/S 911 T
5	901 302 918 10	gear wheel pair 5th speed Z = 29:33 (Z) loose gear wheel fixed gear wheel		1		2	911 302 907 00	drive shaft and gear wheel II 2nd gear Z = 18:32 (GA) drive shaft loose gear wheel		1	
1	911 302 903 00	gear set 1st gear Z = 11:34 (A) fixed gear wheel loose gear wheel reverse idler gear	-70 M	1	911 E/S 911 T	3	904 302 916 10	gear wheel pair 3rd speed Z = 23:28 (O) fixed gear wheel loose gear wheel		1	
2	911 302 904 00	drive shaft and gear wheel II 2nd gear Z = 18:34 (F) fixed gear wheel loose gear wheel		1		4	904 302 930 10	gear wheel pair 4th speed Z = 27:25 (V) fixed gear wheel loose gear wheel		1	
3	901 302 909 10	gear wheel pair 3rd speed Z = 22:29 (M) fixed gear wheel loose gear wheel		1		5	911 302 906 00	gear wheel pair 5th speed Z = 29:22 (ZA) fixed gear wheel loose gear wheel		1	
				1				gear sets 901/75 + 901.300/80 911.300/80 standard transmiss. ratio	70- M	1	911 E/S/T:M 911 S COUPE

Model	Year	MG	SG	Illustration	Restrictions	Update	11:59	21.08.2006	PORSCHE	PET	PORSCHE
911	73	3	03	303-00		203					

Pos	Part Number	Name	Remarks	Qty	Model	Pos	Part Number	Name	Remarks	Qty	Model
1	911 302 909 00	gear set 1st gear Z = 14:37 (B) loose gear wheel fixed gear wheel reverse idler gear		1		4	904 302 919 10	gear wheel pair 4th speed Z = 22:29 (M) loose gear wheel fixed gear wheel		1	
(2)	904 302 101 00	drive shaft		1		5	901 302 910 10	gear wheel pair 5th speed Z = 23:28 (O) loose gear wheel fixed gear wheel		1	
2	911 302 910 00	gear wheel pair 2nd gear Z = 18:32 (GA) fixed gear wheel loose gear wheel		1				gear sets 901/78 + 901.300/83 911.300/83 transmission ratio for fast races	70- M	1	911 E/S/T:M 911 S COUPE
3	901 302 909 10	gear wheel pair 3rd speed Z = 22:29 (M) fixed gear wheel loose gear wheel		1		1	911 302 914 00	gear set 1st gear Z = 15:36 (C) loose gear wheel fixed gear wheel reverse idler gear		1	
4	901 302 912 10	gear wheel pair 4th speed Z = 26:26 (T) loose gear wheel fixed gear wheel		1		(2)	904 302 101 00	drive shaft		1	
5	901 302 913 10	gear wheel pair 5th speed Z = 28:23 (Y) loose gear wheel fixed gear wheel		1		2	911 302 915 00	gear wheel pair 2nd gear Z = 20:32 (HA) fixed gear wheel loose gear wheel		1	
		gear sets 901/76 + 901.300/81 911.300/81 hill-climb transm. ratio	70- M		911 E/S/T:M 911 S COUPE	3	904 302 916 10	gear wheel pair 3rd speed Z = 23:28 (O) fixed gear wheel loose gear wheel		1	
1	911 302 911 00	gear set 1st gear Z = 12:34 (AA) loose gear wheel fixed gear wheel reverse idler gear		1		4	901 302 912 10	gear wheel pair 4th speed Z = 26:26 (T) loose gear wheel fixed gear wheel		1	
(2)	904 302 101 00	drive shaft		1		5	901 302 913 10	gear wheel pair 5th speed Z = 28:23 (Y) loose gear wheel fixed gear wheel		1	
2	911 302 912 00	gear wheel pair 2nd gear Z = 17:34 (E) fixed gear wheel loose gear wheel		1				gear sets 901/79 + 901.300/84 911.300/84 nuerburgring transm. ratio	70- M	1	911 E/S/T:M 911 S COUPE
3	901 302 908 10	gear wheel pair 3rd speed Z = 20:31 (I) fixed gear wheel loose gear wheel		1						1	

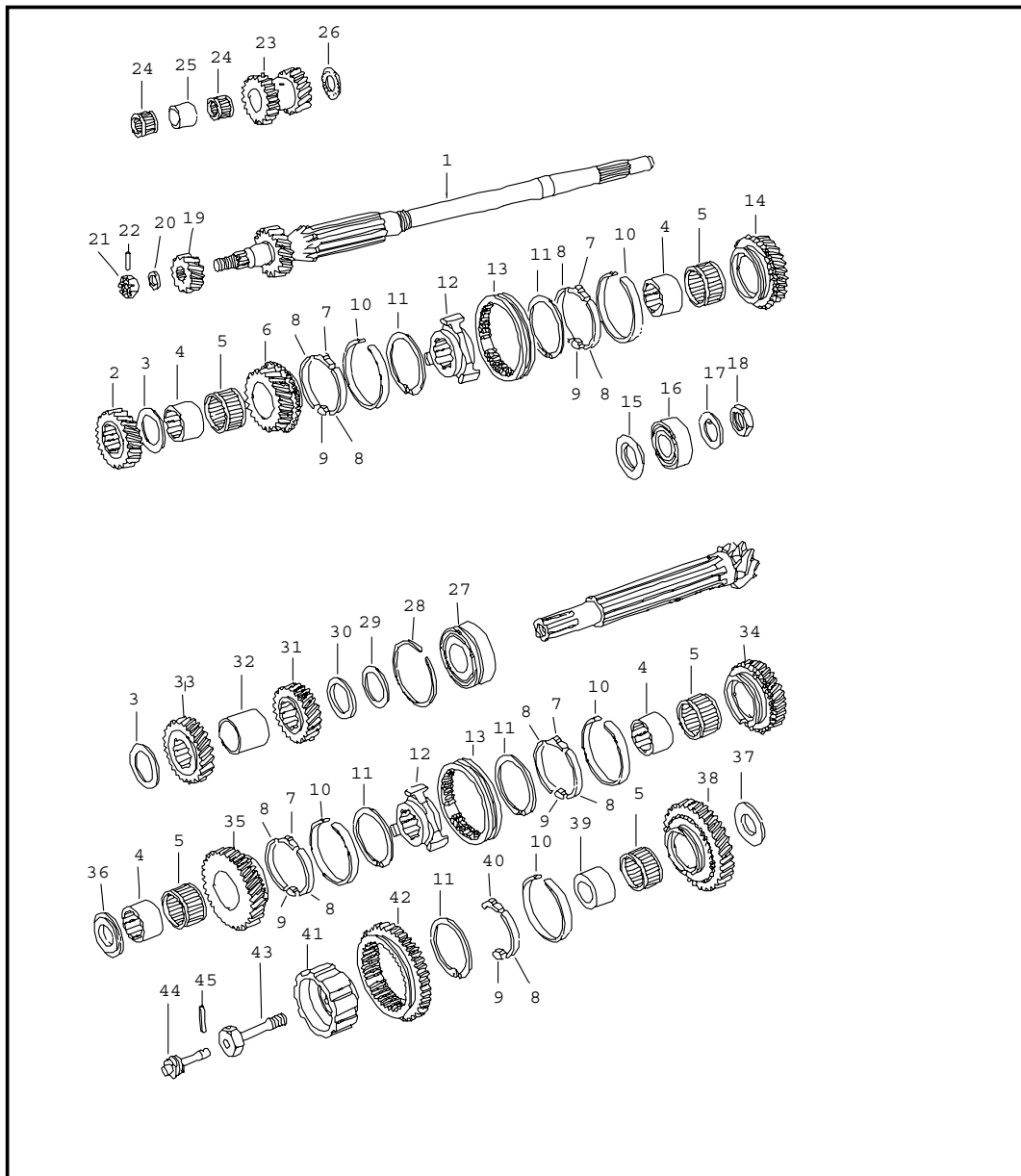
Model	Year	MG	SG	Illustration	Restrictions	Update	11:59	21.08.2006	PORSCHE	PET	PORSCHE
911	73	3	03	303-00		203					

Pos	Part Number	Name	Remarks	Qty	Model	Pos	Part Number	Name	Remarks	Qty	Model
1	911 302 909 00	gear set 1st gear Z = 14:37 (B) loose gear wheel fixed gear wheel reverse idler gear		1		4	901 302 910 10	gear wheel pair 4th speed Z = 23:28 (O) loose gear wheel fixed gear wheel		1	
(2)	904 302 101 00	drive shaft		1		5	904 302 929 10	gear wheel pair 5th speed Z = 26:26 (S) loose gear wheel fixed gear wheel		1	
2	911 302 915 00	gear wheel pair 2nd gear Z = 20:32 (HA) fixed gear wheel loose gear wheel		1				gear sets for - 911 S-	M	1	
3	901 302 909 10	gear wheel pair 3rd speed Z = 22:29 (M) fixed gear wheel loose gear wheel		1		1	911 302 911 00	gear set 1st gear Z = 12:34 (AA) loose gear wheel fixed gear wheel reverse idler gear		1	
4	901 302 911 10	gear wheel pair 4th speed Z = 25:27 (R) loose gear wheel fixed gear wheel		1		(1)	911 302 909 00	gear set 1st gear Z = 14:37 (B) loose gear wheel fixed gear wheel reverse idler gear		1	
5	904 302 930 10	gear wheel pair 5th speed Z = 27:25 (V) loose gear wheel fixed gear wheel		1		(1)	911 302 914 00	gear set 1st gear Z = 15:36 (C) loose gear wheel fixed gear wheel reverse idler gear		1	
		gear sets 901/77 + 901.300/82 911.300/82 airfield transmiss. ratio	70- M		911 E/S/T:M 911 S COUPE	(2)	904 302 101 00	drive shaft		1	
1	911 302 911 00	gear set 1st gear Z = 12:34 (AA) loose gear wheel fixed gear wheel reverse idler gear		1		2	911 302 912 00	gear wheel pair 2nd gear Z = 17:34 (E) fixed gear wheel loose gear wheel		1	
(2)	904 302 101 00	drive shaft		1		(2)	911 302 913 00	gear wheel pair 2nd gear Z = 18:34 (F) fixed gear wheel loose gear wheel		1	
2	911 302 913 00	gear wheel pair 2nd gear Z = 18:34 (F) fixed gear wheel loose gear wheel		1		(2)	911 302 910 00	gear wheel pair 2nd gear Z = 18:32 (GA) fixed gear wheel loose gear wheel		1	
3	904 302 927 10	gear wheel pair 3rd speed Z = 21:31 (I) fixed gear wheel loose gear wheel		1							

Model	Year	MG	SG	Illustration	Restrictions	Update	11:59	21.08.2006	PORSCHE	PET	PORSCHE
911	73	3	03	303-00		203					

Pos	Part Number	Name	Remarks	Qty	Model	Pos	Part Number	Name	Remarks	Qty	Model
(2)	911 302 915 00	gear wheel pair 2nd gear Z = 20:32 (HA) fixed gear wheel loose gear wheel		1		5	901 302 910 10	gear wheel pair 5th speed Z = 23:28 (O) loose gear wheel fixed gear wheel		1	
3	901 302 908 10	gear wheel pair 3rd speed Z = 20:31 (I) fixed gear wheel loose gear wheel		1		(5)	904 302 929 10	gear wheel pair 5th speed Z = 25:26(S) loose gear wheel fixed gear wheel		1	
(3)	904 302 927 10	gear wheel pair 3rd speed Z = 21:31 (J) fixed gear wheel loose gear wheel		1		(5)	904 302 930 10	gear wheel pair 5th speed Z = 25:27 (V) loose gear wheel fixed gear wheel		1	
(3)	901 302 909 10	gear wheel pair 3rd speed Z = 22:29 (M) fixed gear wheel loose gear wheel		1		(5)	901 302 913 10	gear wheel pair 5th speed Z = 28:23 (Y) loose gear wheel fixed gear wheel		1	
(3)	904 302 916 10	gear wheel pair 3rd speed Z = 23:28 (O) fixed gear wheel loose gear wheel		1				- - - E N D - - -			
4	904 302 919 10	gear wheel pair 4th speed Z = 22:29 (M) loose gear wheel fixed gear wheel		1							
(4)	901 302 910 10	gear wheel pair 4th speed Z = 23:28 (O) loose gear wheel fixed gear wheel		1							
(4)	901 302 911 10	gear wheel pair 4th speed Z = 25:27 (R) loose gear wheel fixed gear wheel		1							
(4)	901 302 912 10	gear wheel pair 4th speed Z = 26:26 (T) loose gear wheel fixed gear wheel		1							

Model	Year	MG	SG	Illustration	Restrictions	Update	12:00	21.08.2006	PORSCHE	PET	PORSCHE
911	73	3	03	303-05		203					

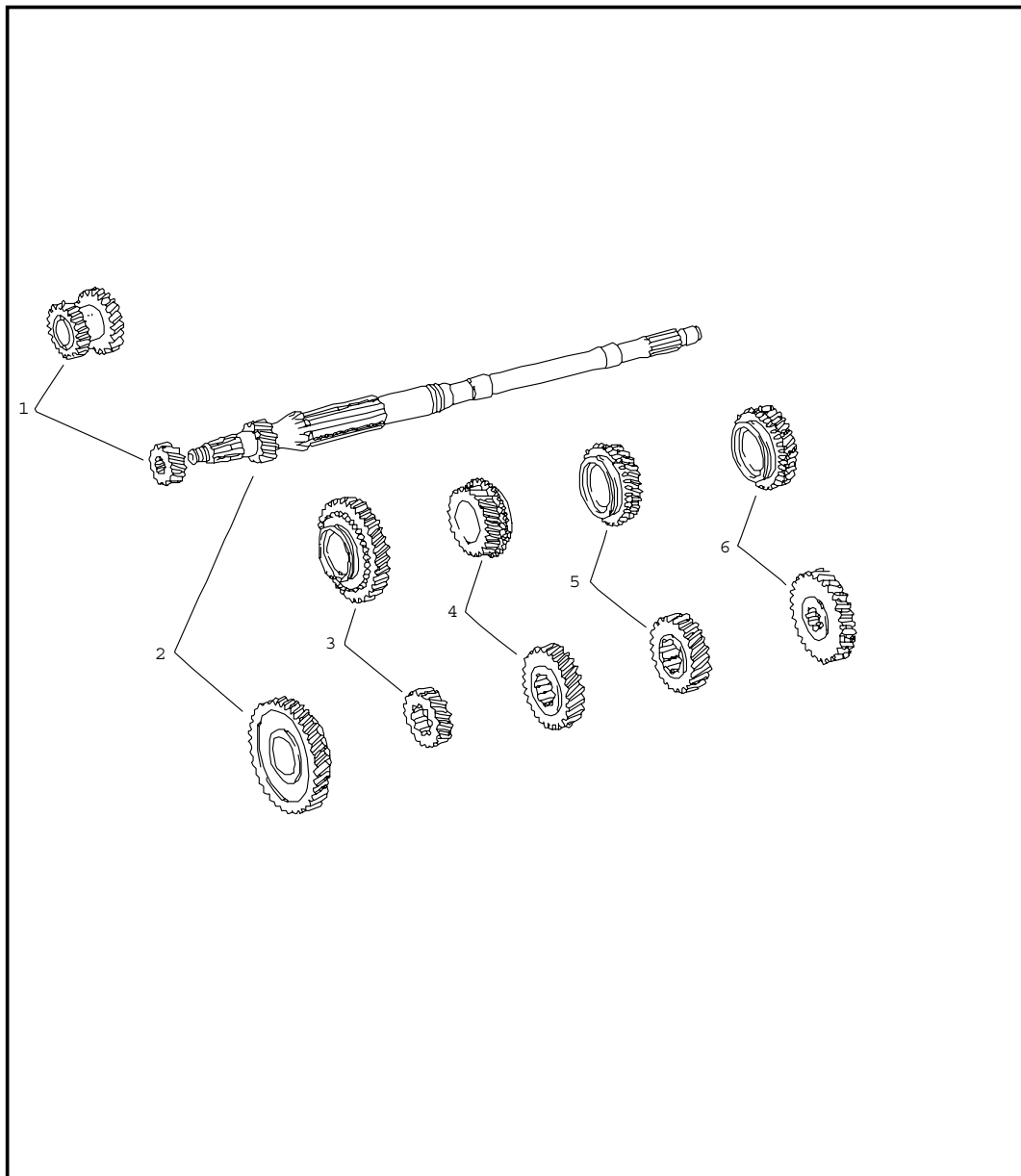


Pos	Part Number	Name	Remarks	Qty	Model
		gears and shafts 5-speed transmission	-71		
		gear sets see group 3/03/00			
1	* --- --- ---	drive shaft		1	
2	* --- --- ---	fixed gear wheel 3rd speed		1	
3	901 302 294 01	thrust washer		2	
4	901 302 261 01	bush for needle-roller bearing 2. - 5th speed		4	
5	999 201 104 00	needle cage 1. - 5th speed		5	
6	* --- --- ---	loose gear wheel 4th speed		1	
7	911 302 315 00	stone 2. - 5th speed		4	
8	911 302 316 00	brake band 1. - 5th speed		9	
9	911 302 317 01	stop 1. - 5th speed		5	
10	911 302 301 06	synchroniser ring 1. - 5th speed		5	
11	911 302 311 01	circlip 1. - 5th speed		5	
12	901 302 402 02	guide sleeve 2. - 5th speed		2	
13	911 302 411 10	shift sleeve 2. - 5th speed		2	
14	* --- --- ---	loose gear wheel 5th speed		1	

Model	Year	MG	SG	Illustration	Restrictions	Update	12:00	21.08.2006	PORSCHE	PET	PORSCHE
911	73	3	03	303-05		203					

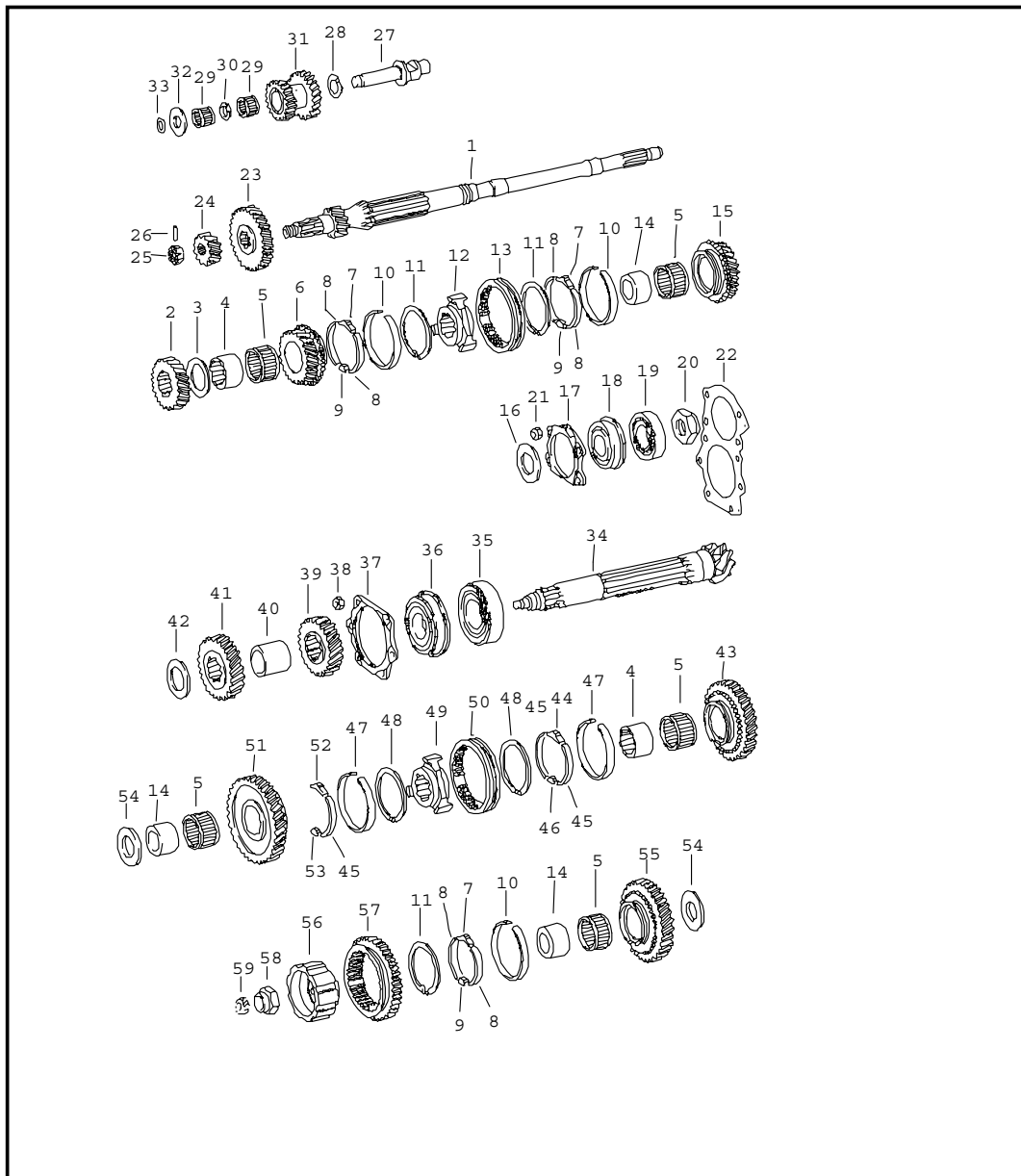
Pos	Part Number	Name	Remarks	Qty	Model	Pos	Part Number	Name	Remarks	Qty	Model
15	901 302 268 01	spacer		1		35	* --- --- --- --	loose gear wheel 2nd gear		1	
16	999 110 008 00	cylindrical-roller bearing		1		36	901 302 269 01	thrust washer		1	
17	999 038 001 00	tab washer		1		37	901 302 291 01	thrust washer		1	
18	999 183 001 00	hexagon nut		1		38	* --- --- --- --	loose gear wheel 1st gear		1	
19	* --- --- --- --	fixed gear wheel 1st gear		1		39	901 302 262 01	bush for needle-roller bearing 1st gear		1	
20	999 031 066 00	washer 14,3 X 21,5 X 3		1		40	901 302 318 02	stone 1st gear		1	
21	999 079 011 02	castle nut M 14 X 1,5		1		41	901 302 401 02	guide sleeve 1st gear		1	
22	900 309 004 00	roll pin 3 X 18		1		42	911 302 226 00	shifting gear for 1st gear and reverse gear		1	
23	* --- --- --- --	reverse idler gear		1		43	901 302 271 01	elastic bolt		1	
24	999 201 012 00	needle cage INA K 20/17		2		44	901 318 331 01	shaft 7/31		1	
25	901 302 263 01	sleeve for reverse idler gear		1		(44)	901 318 331 11	shaft 6/29	-70	1	
26	999 202 001 00	axial needle bearing cage		1		45	900 197 002 00	tensioning sleeve 4 X 28		1	
27	999 110 007 00	cylindrical-roller bearing		1							
28	900 111 002 00	snap ring SP 72		1							
29	901 302 297 01	adjusting shim 0,25 MM		X							
(29)	901 302 297 11	adjusting shim 0,30 MM		X							
(29)	901 302 297 21	adjusting shim 0,40 MM		X							
30	901 302 298 01	spacer		1							
31	* --- --- --- --	fixed gear wheel 5th speed		1							
32	901 302 265 01	spacer sleeve		1							
33	* --- --- --- --	fixed gear wheel 4th speed		1							
34	* --- --- --- --	loose gear wheel 3rd speed		1							

Model	Year	MG	SG	Illustration	Restrictions	Update	12:00	21.08.2006	PORSCHE	PET	PORSCHE
911	73	3	03	303-10		203					



Pos	Part Number	Name	Remarks	Qty	Model
		gear sets 5-speed transmission	72-		
		gear sets 915.300/02			
1	915 302 912 04	gear wheel pair for reverse gear reverse gear wheel NR. 1 reverse idler gear		1	
2	915 302 901 04	gear set 1st gear Z = 11:35 drive shaft loose gear wheel		1	
3	915 302 902 39	gear wheel pair 2nd gear Z = 18:33 loose gear wheel fixed gear wheel		1	
4	923 302 903 23	gear wheel pair 3rd speed Z = 23:29 fixed gear wheel loose gear wheel		1	
5	915 302 904 74	gear wheel pair 4th speed Z = 26:25 loose gear wheel fixed gear wheel		1	911 T-E/E/S 911 T-V
(5)	915 302 904 40	gear wheel pair 4th speed Z = 27:25 loose gear wheel fixed gear wheel		1	CARRERA 2.7 911 T-K
6	923 302 905 48	gear wheel pair 5th speed Z = 29:22 loose gear wheel fixed gear wheel		1	911 T-E/E/S 911 T-V
(6)	915 302 905 50	gear wheel pair 5th speed Z = 29:21 loose gear wheel fixed gear wheel		1	CARRERA 2.7 911 T-K
		- - - E N D - - -			

Model	Year	MG	SG	Illustration	Restrictions	Update	12:00	21.08.2006	PORSCHE	PET	PORSCHE
911	73	3	03	303-15		203					

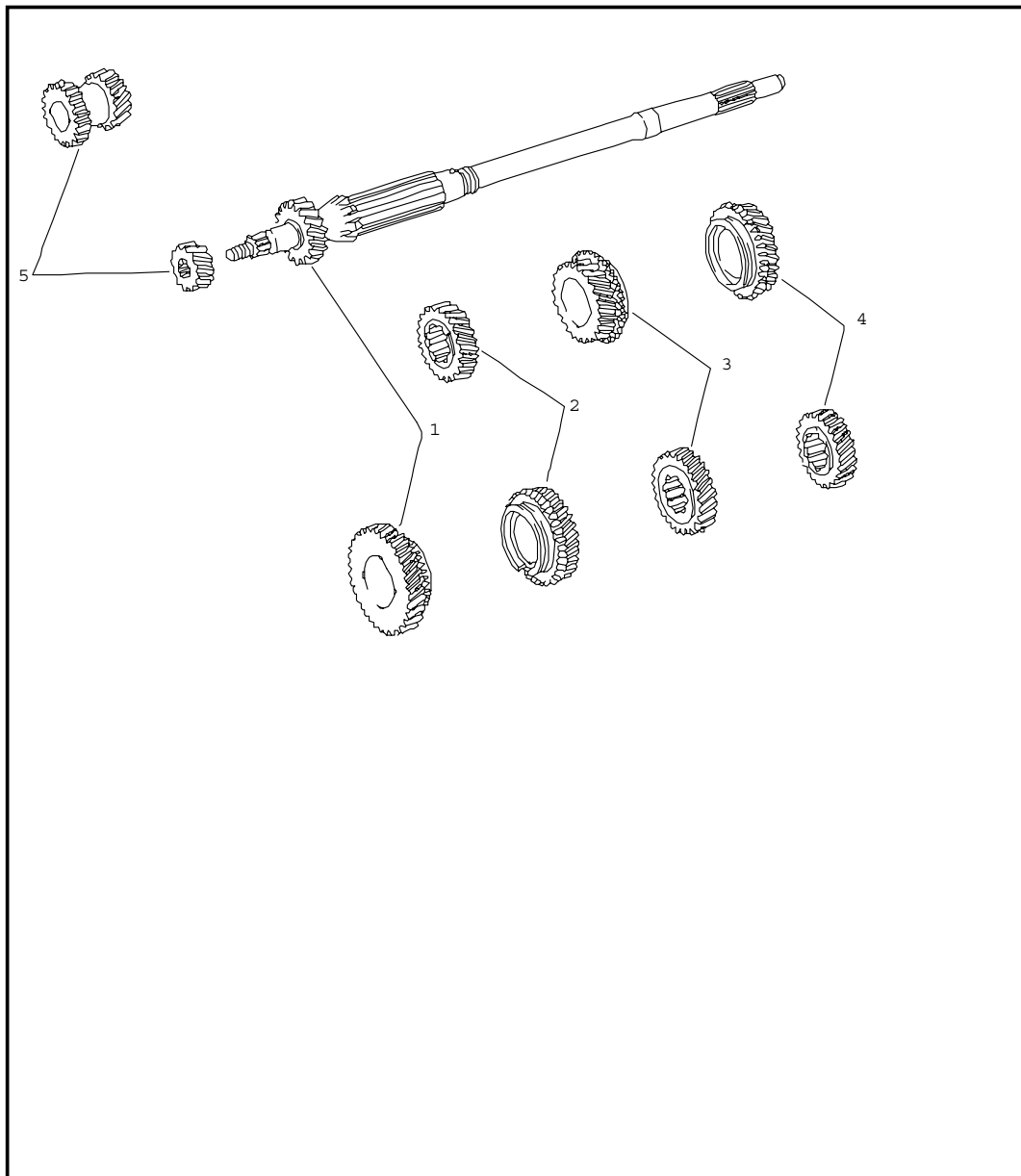


Pos	Part Number	Name	Remarks	Qty	Model
		gears and shafts 5-speed transmission	72-		
		gear sets see group 3/03/10			
1	* --- --- --- ---	drive shaft		1	
2	* --- --- --- ---	fixed gear wheel 2nd gear		1	
3	915 302 292 00	thrust washer		1	
4	915 302 262 00	bush		2	
5	999 201 470 00	needle cage		5	
6	* --- --- --- ---	loose gear wheel 3rd speed		1	
7	911 302 315 00	stone 3. - 5th speed		3	
8	911 302 316 00	brake band 3. - 5th speed		6	
9	911 302 317 01	stop 3. - 5th speed		3	
10	911 302 301 06	synchroniser ring 3. - 5th speed		3	
11	911 302 311 01	circlip		3	
12	901 302 402 02	guide sleeve		1	
13	911 302 411 10	shift sleeve		1	
14	915 302 261 00	bush		3	
15	* --- --- --- ---	loose gear wheel 4th speed		1	
16	915 302 294 01	thrust washer		1	
17	915 302 121 03	tensioning plate		1	
18	999 052 030 00	four-point bearing		1	
19	999 110 032 00	cylindrical-roller bearing		1	
20	999 034 033 00	hexagon nut		1	

Model	Year	MG	SG	Illustration	Restrictions	Update	12:00	21.08.2006	PORSCHE	PET	PORSCHE
911	73	3	03	303-15		203					

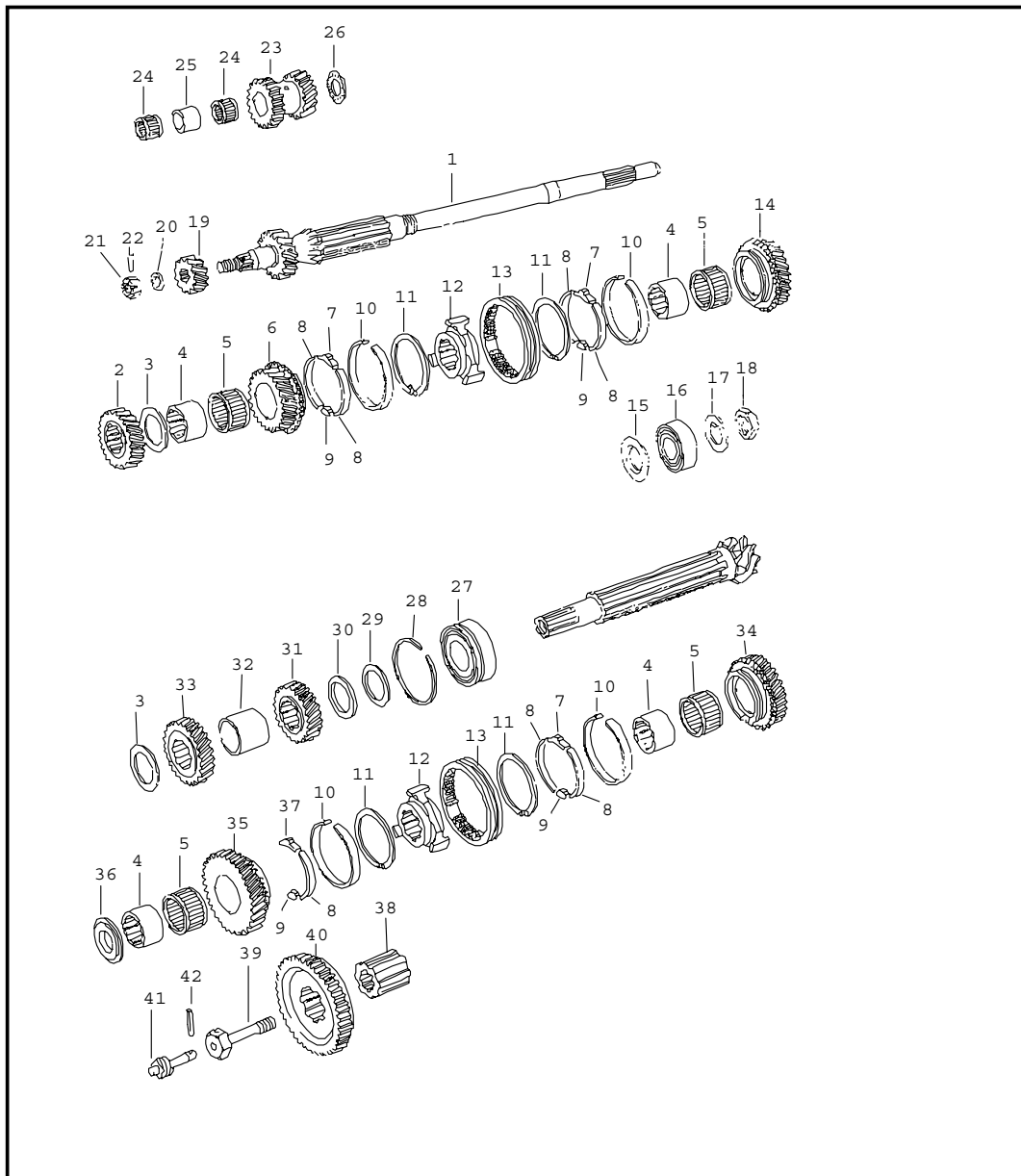
Pos	Part Number	Name	Remarks	Qty	Model	Pos	Part Number	Name	Remarks	Qty	Model
21	502 08 310	nut M 8		4		39	* --- --- --- --	fixed gear wheel 4th speed		1	
-	900 142 002 01	lock ring 8		4		40	915 302 265 01	spacer sleeve		1	
22	915 302 268 03	adjusting shim 0,10 MM		X		41	* --- --- --- --	fixed gear wheel 3rd speed		1	
(22)	915 302 268 04	adjusting shim 0,15 MM		X		42	915 302 293 00	thrust washer		1	
(22)	915 302 268 05	adjusting shim 0,20 MM		X		43	* --- --- --- --	loose gear wheel 2nd gear		1	
23	* --- --- --- --	fixed gear wheel 5th speed		1		44	915 302 315 01	stone 2nd gear		1	
24	* --- --- --- --	reverse gear NR. 1		1		45	915 302 316 01	brake band		3	
25	900 079 009 00	castle nut M 18 X 1,5		1		46	915 302 321 00	stop		1	
26	900 309 005 00	spiral clamping pin 4 X 26		1		47	915 302 301 04	synchroniser ring		2	
27	915 302 228 03	bolt for reverse idler gear		1		48	915 302 311 01	circlip		2	
28	999 202 001 00	axial needle bearing cage		1		49	915 302 401 00	guide sleeve		1	
29	999 201 107 00	needle cage		2		50	915 302 411 00	shift sleeve		1	
30	915 302 231 00	intermediate ring		1		51	* --- --- --- --	loose gear wheel 1st gear		1	
31	* --- --- --- --	reverse idler gear		1		52	915 302 318 00	stone 1st gear		1	
32	915 302 229 01	thrust washer		1		53	915 302 321 00	stop		1	
33	999 701 169 40	o-ring		1		54	915 302 291 00	thrust washer		2	
34	--- --- --- --	drive shaft see group 5/01/00		1		55	* --- --- --- --	loose gear wheel 5th speed		1	
35	999 110 146 00	cylindrical-roller bearing		1		56	915 302 405 01	guide sleeve		1	
36	999 052 043 00	four-point bearing		1		57	915 302 227 09	shifting gear		1	
37	915 302 123 03	tensioning plate		1		58	915 302 282 00	collar nut		1	
38	502 08 310	nut M 8		6		59	915 318 331 00	wheel 1 for speedometer		1	
-	900 142 002 01	lock ring 8		6				- - - E N D - - -			

Model	Year	MG	SG	Illustration	Restrictions	Update	12:00	21.08.2006	PORSCHE	PET	PORSCHE
911	73	3	03	303-20		203					



Pos	Part Number	Name	Remarks	Qty	Model
		gear sets 4-speed transmission	-71		
		gear sets 901/06 + 300/12	/LL M		911 E/S
		911.300/00 standard	M		911 E 911 T
1	911 302 905 00	drive shaft and gear wheel II 1st gear Z = 11:34 (A) drive shaft loose gear wheel		1	
2	905 302 907 00	gear wheel pair 2nd gear Z = 19:31 (HB) fixed gear wheel loose gear wheel		1	
3	904 302 929 10	gear wheel pair 3rd speed Z = 25:26 (S) fixed gear wheel loose gear wheel		1	
4	901 302 918 10	gear wheel pair 4th speed Z = 29:23 (Z) fixed gear wheel loose gear wheel	-70	1	
(4)	911 302 906 00	gear wheel pair 4th speed Z = 29:22 (ZA) fixed gear wheel loose gear wheel	71	1	
5	902 302 902 00	gear wheel I and reverse idler gear fixed gear wheel reverse idler gear		1	
		- - - E N D - - -			

Model	Year	MG	SG	Illustration	Restrictions	Update	12:01	21.08.2006	PORSCHE	PET	PORSCHE
911	73	3	03	303-25		203					

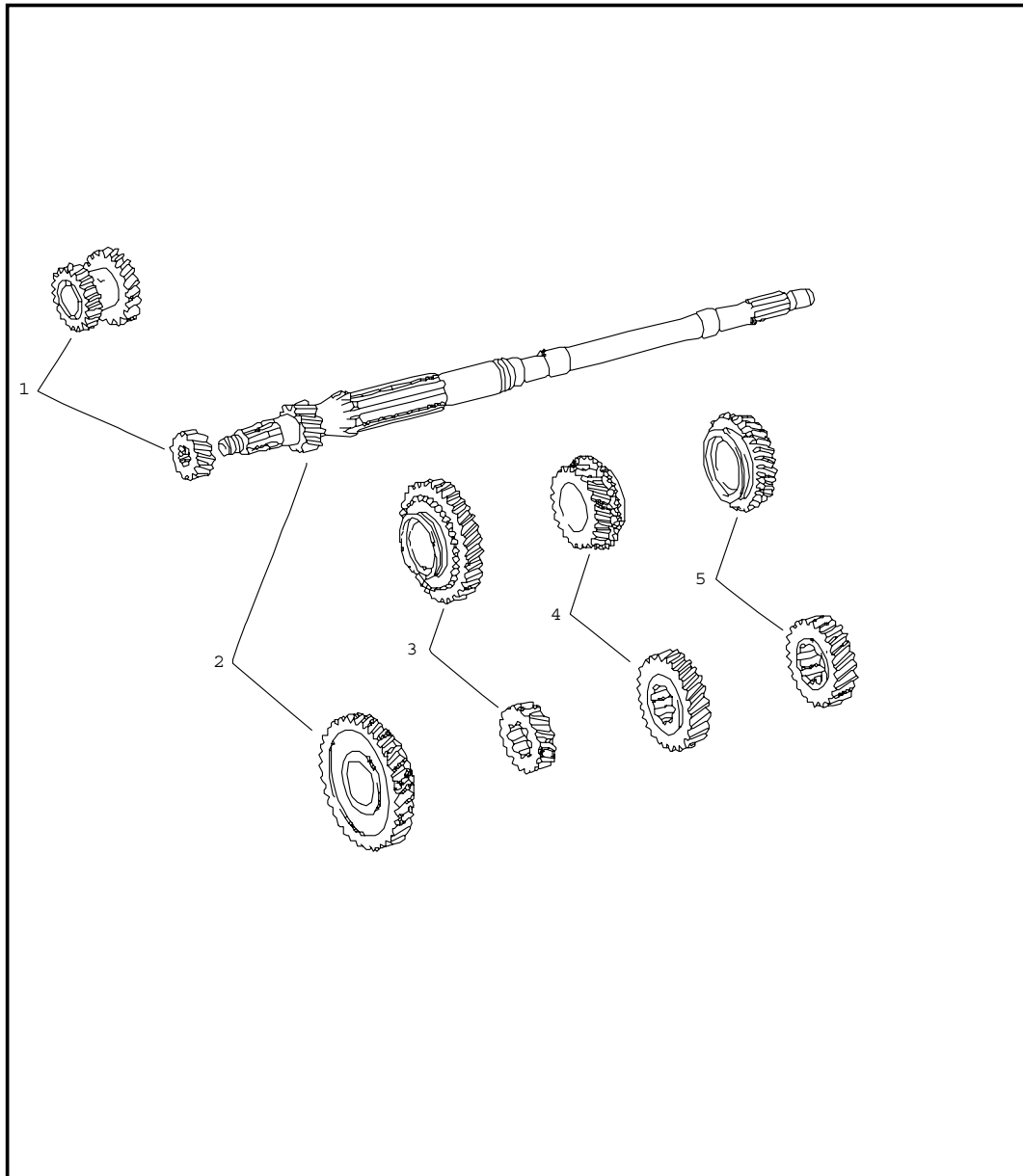


Pos	Part Number	Name	Remarks	Qty	Model
		gears and shafts 4-speed transmission	-70 -71		911 E/S 911 T
		gear sets see group 3/03/20			
1	* --- --- ---	drive shaft		1	
2	* --- --- ---	fixed gear wheel 2nd gear		1	
3	901 302 294 01	thrust washer		2	
4	901 302 261 01	bush for needle-roller bearing 1. - 4th speed		4	
5	999 201 104 00	needle cage 1. - 4th speed		4	
6	* --- --- ---	loose gear wheel 3rd speed		1	
7	911 302 315 00	stone 2. - 4th speed		3	
8	911 302 316 00	brake band 1. - 4th speed		7	
9	911 302 317 01	stop 1. - 4th speed		4	
10	911 302 301 06	synchroniser ring 1. - 4th speed		4	
11	911 302 311 01	circlip 1. - 4th speed		4	
12	901 302 402 02	guide sleeve 1. - 4th speed		2	
13	911 302 411 10	shift sleeve 1. - 4th speed		2	
14	* --- --- ---	loose gear wheel 4th speed		1	

Model	Year	MG	SG	Illustration	Restrictions	Update	12:01	21.08.2006	PORSCHE	PET	PORSCHE
911	73	3	03	303-25		203					

Pos	Part Number	Name	Remarks	Qty	Model	Pos	Part Number	Name	Remarks	Qty	Model
15	901 302 268 01	spacer		1		35	* --- --- --- --	loose gear wheel 1st gear		1	
16	999 110 008 00	cylindrical-roller bearing		1		36	901 302 269 01	thrust washer		1	
17	999 038 001 00	tab washer		1		37	901 302 318 02	stone 1st gear		1	
18	999 183 001 00	hexagon nut		1		38	902 302 257 00	sleeve		1	
19	* --- --- --- --	fixed gear wheel 1st gear		1		39	901 302 271 01	elastic bolt		1	
20	999 031 066 00	washer 14,3 X 21,5 X 3		1		40	902 302 224 00	sliding gear for reverse gear		1	
21	999 079 011 02	castle nut M 14 X 1,5		1		41	901 318 331 01	shaft 7/31	-71	1	
22	900 309 004 00	roll pin 3 X 18		1		(41)	901 318 331 11	shaft 6/29	-70	1	
23	* --- --- --- --	reverse idler gear		1		42	900 197 002 00	tensioning sleeve 4 X 28		1	
24	999 201 012 00	needle cage INA K20/17		2				- - - E N D - - -			
25	901 302 263 01	sleeve for reverse idler gear		1							
26	999 202 001 00	axial needle bearing cage		1							
27	999 110 007 00	cylindrical-roller bearing		1							
28	900 111 002 00	snap ring SP 72		1							
29	901 302 297 01	adjusting shim 0,25 MM		X							
(29)	901 302 297 11	adjusting shim 0,30 MM		X							
(29)	901 302 297 21	adjusting shim 0,40 MM		X							
30	901 302 298 01	spacer		1							
31	* --- --- --- --	fixed gear wheel 4th speed		1							
32	901 302 265 01	spacer sleeve		1							
33	* --- --- --- --	fixed gear wheel 3rd speed		1							
34	* --- --- --- --	loose gear wheel 2nd gear		1							

Model	Year	MG	SG	Illustration	Restrictions	Update	12:01	21.08.2006	PORSCHE	PET	PORSCHE
911	73	3	03	303-30		203					

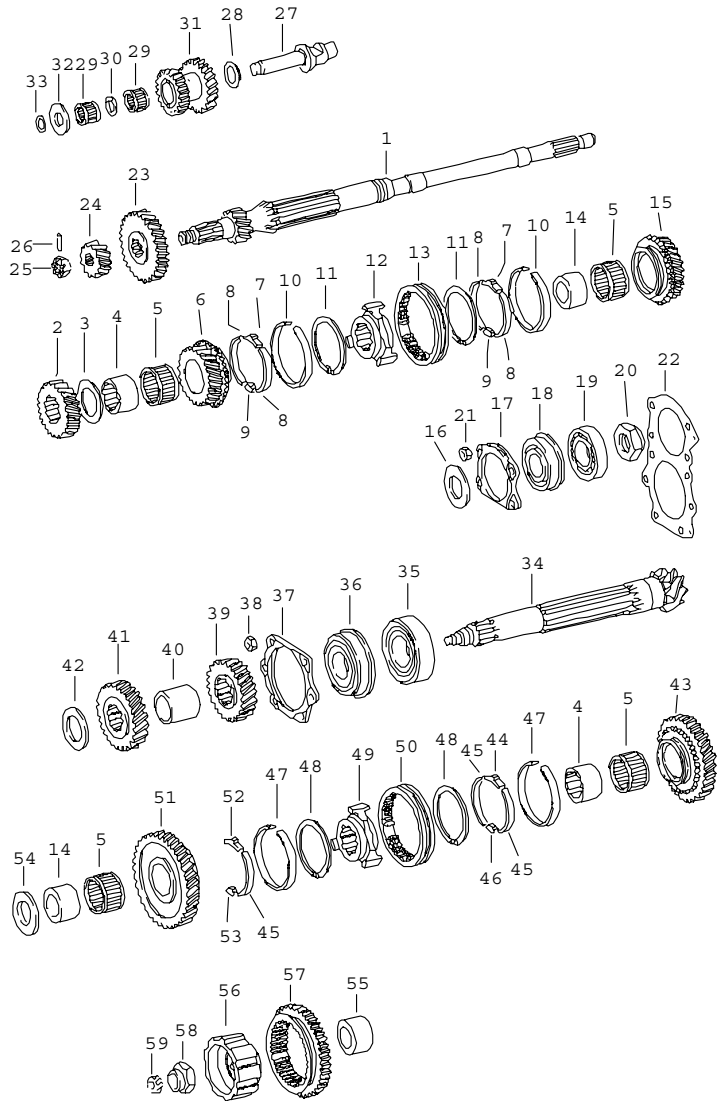


Pos	Part Number	Name	Remarks	Qty	Model
		gear sets 4-speed transmission	72-		
		gear sets 915.300/12			911 T-E/E/S 911 T-V 911 T-K
1	915 302 912 04	gear wheel pair for reverse gear reverse gear wheel NR. 1 reverse idler gear		1	
2	915 302 901 04	gear set 1st gear Z = 11:35 drive shaft loose gear wheel		1	
3	915 302 902 24	gear wheel pair 2nd gear Z = 18:32 loose gear wheel fixed gear wheel		1	
4	923 302 904 18	gear wheel pair 3rd speed Z = 24:27 fixed gear wheel loose gear wheel		1	
5	915 302 904 60	gear set 4th speed Z = 28:23 loose gear wheel fixed gear wheel		1	
		gear sets 915.300/18			CARRERA 2.7
1	915 302 912 04	gear wheel pair for reverse gear reverse gear wheel NR. 1 reverse idler gear		1 1	
2	915 302 901 04	gear wheel pair 1st gear Z = 11:35 drive shaft loose gear wheel		1	

Model	Year	MG	SG	Illustration	Restrictions	Update	12:01	21.08.2006	PORSCHE	PET	PORSCHE
911	73	3	03	303-30		203					

Pos	Part Number	Name	Remarks	Qty	Model	Pos	Part Number	Name	Remarks	Qty	Model
3	923 302 902 33	gear wheel pair 2nd gear Z = 20:32 loose gear wheel fixed gear wheel		1							
4	915 302 904 20	gear wheel pair 3rd speed Z = 25:26 fixed gear wheel loose gear wheel		1							
5	915 302 904 50	gear wheel pair 4th speed Z = 29:22 loose gear wheel fixed gear wheel		1							
		- - - E N D - - -									

Model	Year	MG	SG	Illustration	Restrictions	Update	12:01	21.08.2006	PORSCHE	PET	PORSCHE
911	73	3	03	303-35		203					

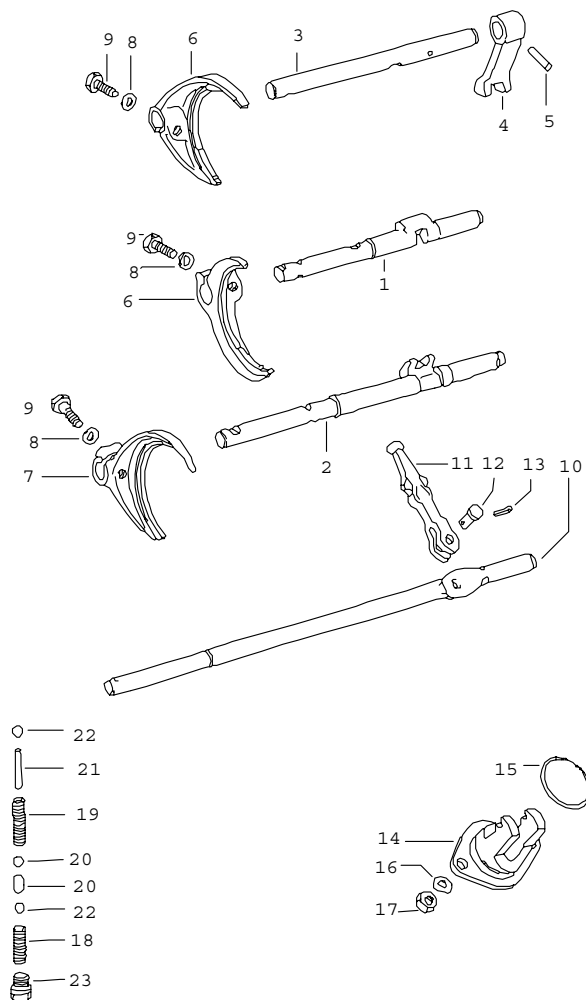


Pos	Part Number	Name	Remarks	Qty	Model
		gears and shafts 4-speed transmission	72-		
		gear sets see group 3/03/30			
1	* --- --- ---	drive shaft		1	
2	* --- --- ---	fixed gear wheel 2nd gear		1	
3	915 302 292 00	thrust washer		1	
4	915 302 262 00	bush		2	
5	999 201 470 00	needle cage		4	
6	* --- --- ---	loose gear wheel 3rd speed		1	
7	911 302 315 00	stone 3. - 4th speed		2	
8	911 302 316 00	brake band 3. - 4th speed		4	
9	911 302 317 01	stop 3. - 4th speed		2	
10	911 302 301 06	synchroniser ring 3. - 4th speed		2	
11	911 302 311 01	circlip		2	
12	901 302 402 02	guide sleeve		1	
13	911 302 411 10	shift sleeve		1	
14	915 302 261 00	bush		2	
15	* --- --- ---	loose gear wheel 4th speed		1	
16	915 302 294 01	thrust washer		1	
17	915 302 121 03	tensioning plate		1	
18	999 052 030 00	four-point bearing		1	
19	999 110 032 00	cylindrical-roller bearing		1	
20	999 034 033 00	hexagon nut		1	

Model	Year	MG	SG	Illustration	Restrictions	Update	12:01	21.08.2006	PORSCHE	PET	PORSCHE
911	73	3	03	303-35		203					

Pos	Part Number	Name	Remarks	Qty	Model	Pos	Part Number	Name	Remarks	Qty	Model
21	502 08 310	nut M 8		4		39	* --- --- --- --	fixed gear wheel 4th speed		1	
-	900 142 002 01	lock ring 8		4		40	915 302 265 01	spacer sleeve		1	
22	915 302 268 03	adjusting shim 0,10 MM		X		41	* --- --- --- --	fixed gear wheel 3rd speed		1	
(22)	915 302 268 04	adjusting shim 0,15 MM		X		42	915 302 293 00	thrust washer		1	
(22)	915 302 268 05	adjusting shim 0,20 MM		X		43	* --- --- --- --	loose gear wheel 2nd gear		1	
23	915 302 277 00	spacer sleeve		1		44	915 302 315 01	stone 2nd gear		1	
24	* --- --- --- --	reverse gear NR. 1		1		45	915 302 316 01	brake band		3	
25	900 079 009 00	castle nut M 18 X 1,5		1		46	915 302 321 00	stop		1	
26	900 309 005 00	spiral clamping pin 4 X 26		1		47	915 302 301 04	synchroniser ring		2	
27	915 302 228 03	bolt for reverse idler gear		1		48	915 302 311 01	circlip		2	
28	999 202 001 00	axial needle bearing cage		1		49	915 302 401 00	guide sleeve		1	
29	999 201 107 00	needle cage		2		50	915 302 411 00	shift sleeve		1	
30	915 302 231 00	intermediate ring		1		51	* --- --- --- --	loose gear wheel 1st gear		1	
31	* --- --- --- --	reverse idler gear		1		52	915 302 318 00	stone 1st gear		1	
32	915 302 229 01	thrust washer		1		53	915 302 321 00	stop		1	
33	999 701 169 40	o-ring		1		54	915 302 291 00	thrust washer		1	
34	--- --- --- --	drive shaft see group 5/01/00		1		55	915 302 278 01	spacer sleeve		1	
35	999 110 146 00	cylindrical-roller bearing		1		56	915 302 405 01	guide sleeve		1	
36	999 052 043 00	four-point bearing		1		57	915 302 227 09	shifting gear		1	
37	915 302 123 03	tensioning plate		1		58	915 302 282 00	collar nut		1	
38	502 08 310	nut M 8		6		59	915 318 331 00	wheel 1 for speedometer		1	
-	900 142 002 01	lock ring 8		6				- - - E N D - - -			

Model	Year	MG	SG	Illustration	Restrictions	Update	12:01	21.08.2006	PORSCHE	PET	PORSCHE
911	73	3	04	304-00		203					

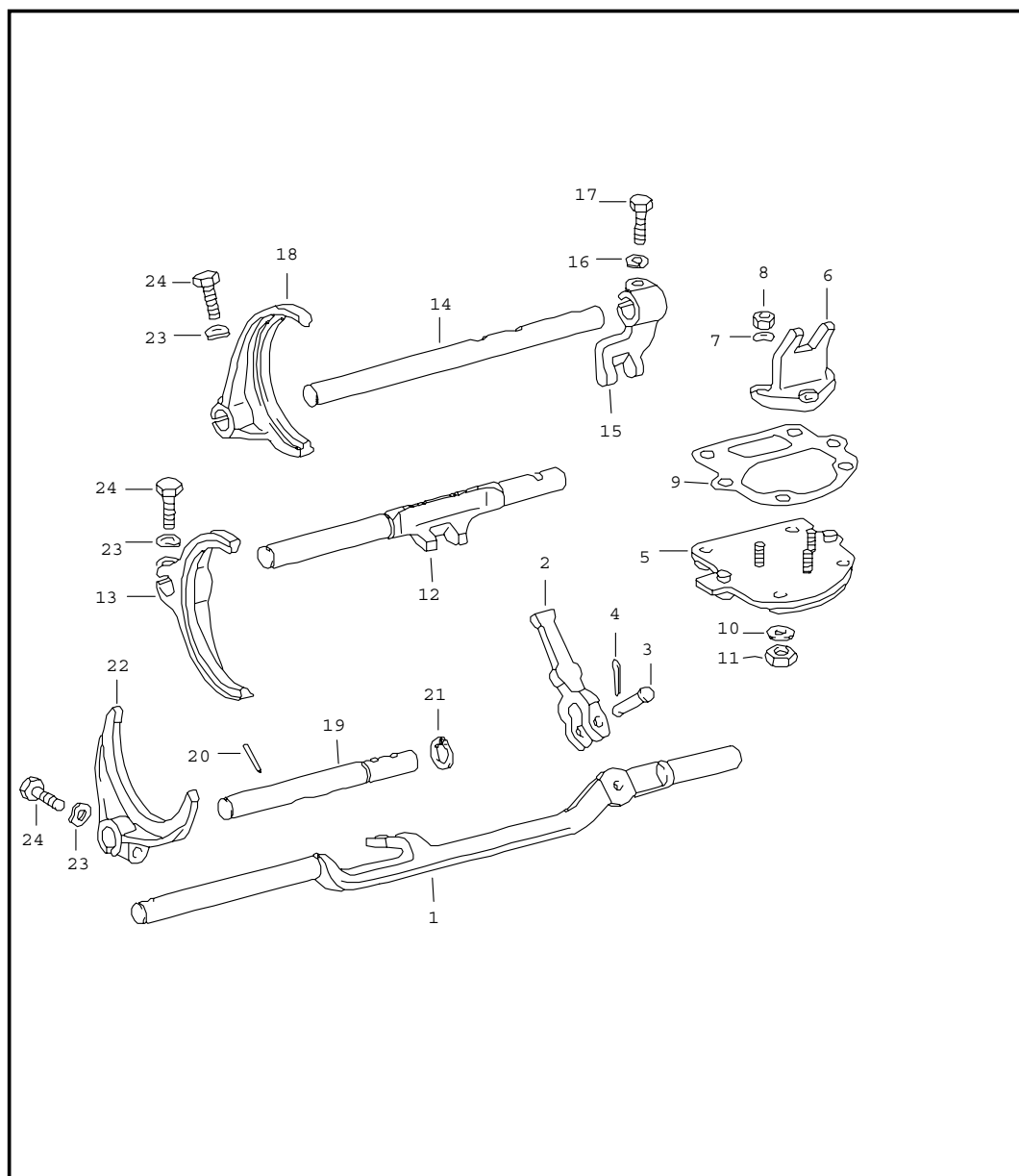


Pos	Part Number	Name	Remarks	Qty	Model
		shift rods forks	-71		
		4-speed and 5-speed transmission			
1	901 303 101 01	gear shift rod 2. - 3rd speed		1	
2	901 303 141 02	gear shift rod 1st gear and reverse gear		1	
3	901 303 103 01	gear shift rod 4. - 5th speed		1	
4	901 303 161 01	contact		1	
5	900 309 003 00	roll pin 5 X 24		1	
6	901 303 111 01	shift fork 2. - 5th speed		2	
7	901 303 151 01	shift fork 1st gear and reverse gear		1	
8	N 012 241 1	spring washer B 8		3	
9	900 075 083 02	hexagon-head bolt M 8 X 25		3	
10	901 303 132 11	gear shift rod		1	
11	901 303 133 01	shift lever		1	
12	901 303 171 01	bolt		1	
13	N 012 512 1	cotter pin 2 X 12		1	
14	911 303 129 00	fork		1	
15	999 701 359 40	o-ring		1	
(15)	901 303 191 01	gasket for fork old version		1	

Model	Year	MG	SG	Illustration	Restrictions	Update	12:01	21.08.2006	PORSCHE	PET	PORSCHE
911	73	3	04	304-00		203					

Pos	Part Number	Name	Remarks	Qty	Model	Pos	Part Number	Name	Remarks	Qty	Model
16	900 027 015 02	lock ring B 8		2							
17	900 076 025 02	hexagon nut M 8		2							
18	901 303 231 01	spring reversing gear lock		1							
19	901 303 232 01	spring for gear lock detent 2. - 5th speed		1							
20	901 303 211 01	detent for gear lock detent		1							
21	901 303 271 01	pin for gear lock detent		1							
22	N 025 667 2	ball 9 MM		3							
23	999 065 001 02	screw plug chilled casting G 509 0001 >> 509 0462 G 519 0001 >> 519 1141 G 519 5001 >> 519 5209 G 709 0001 >> 709 0223 G 719 0001 >> 719 2526 G 739 0001 >> 739 0002 G 739 1001 >> 739 1001 G 739 2001 >> 739 2007 G 739 3001 >> 739 3003 G 739 4001 >> 739 4004	-70	1	902/04 902/05 902/06 901/06 901/07 901/75 901/76 901/77 901/78 901/79						
(23)	999 065 004 02	screw plug die casting G 509 1001 >> 509 9999 G 539 0101 >> 539 9999 G 519 1501 >> 519 4999 G 709 1001 >> 709 9999 G 719 3001 >> 719 9999 G 739 0101 >> 739 0999 G 739 1101 >> 739 1999 G 739 2101 >> 739 2999 G 739 3101 >> 739 3999 G 739 4101 >> 739 4999	-71	1	902.300/14 902.300/60 902.300/16 901.300/12 901.300/13 901.300/80 901.300/81 901.300/82 901.300/83 901.300/84						
		- - - E N D - - -									

Model	Year	MG	SG	Illustration	Restrictions	Update	12:02	21.08.2006	PORSCHE	PET	PORSCHE
911	73	3	04	304-05		203					

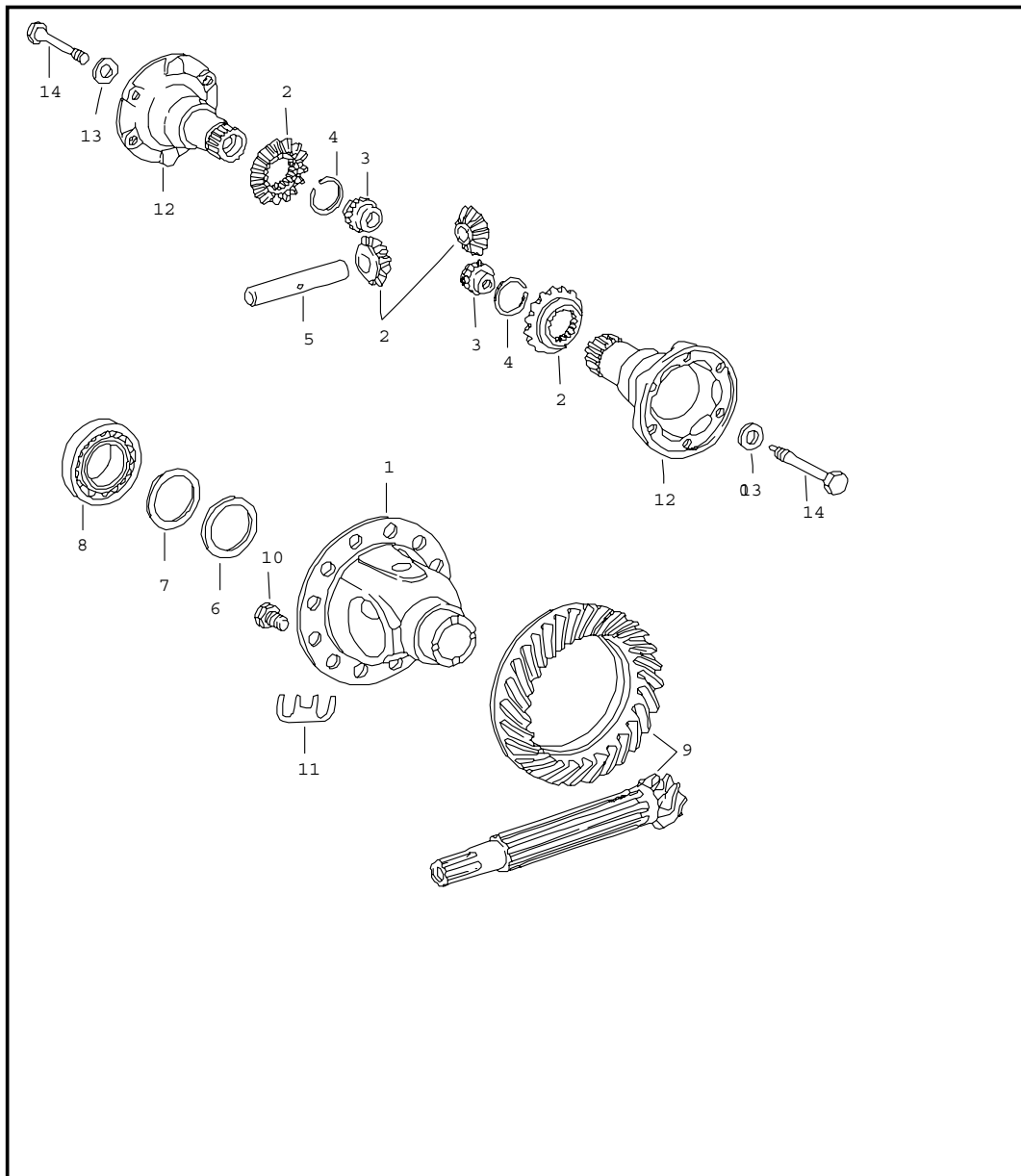


Pos	Part Number	Name	Remarks	Qty	Model
		shift rods forks	72-		
		4-speed and 5-speed transmission			
1	915 303 132 00	gear shift rod		1	
2	915 303 133 00	shift lever		1	
3	901 303 171 01	bolt		1	
4	N 012 512 1	cotter pin 2 X 12		1	
5	915 303 023 02	cover		1	
6	915 303 129 09	fork		1	
7	900 027 014 01	lock ring B 6		3	
8	900 076 010 02	hexagon nut M 6		3	
9	915 303 225 00	gasket		1	
10	900 031 001 02	washer 8,4		4	
11	999 090 101 02	mid-grip nut		4	
12	915 303 101 00	gear shift rod 1.- 2nd gear		1	
13	915 303 111 00	shift fork 1.- 2nd gear		1	
14	915 303 103 50	gear shift rod 3.- 4th speed		1	
15	915 303 115 09	fork		1	
16	900 027 015 02	lock ring B 8		1	
17	900 075 136 02	hexagon-head bolt M 8 X 28		1	
18	915 303 112 00	shift fork 3.- 4th speed		1	

Model	Year	MG	SG	Illustration	Restrictions	Update	12:02	21.08.2006	PORSCHE	PET	PORSCHE
911	73	3	04	304-05		203					

Pos	Part Number	Name	Remarks	Qty	Model	Pos	Part Number	Name	Remarks	Qty	Model
19	915 303 105 09	gear shift rod reverse gear - 5th speed		1							
20	900 309 005 00	spiral clamping pin 4 X 26		1							
21	N 012 415 1	circlip 15 X 1 only for 4-speed transmission gear lock detent		1							
22	915 303 113 01	shift fork reverse gear - 5th speed		1							
23	N 012 241 1	spring washer B 8 X 15		3							
24	900 075 136 02	hexagon-head bolt M 8 X 28		3							
		- - - E N D - - -									

Model	Year	MG	SG	Illustration	Restrictions	Update	12:02	21.08.2006	PORSCHE	PET	PORSCHE
911	73	3	05	305-00		203					

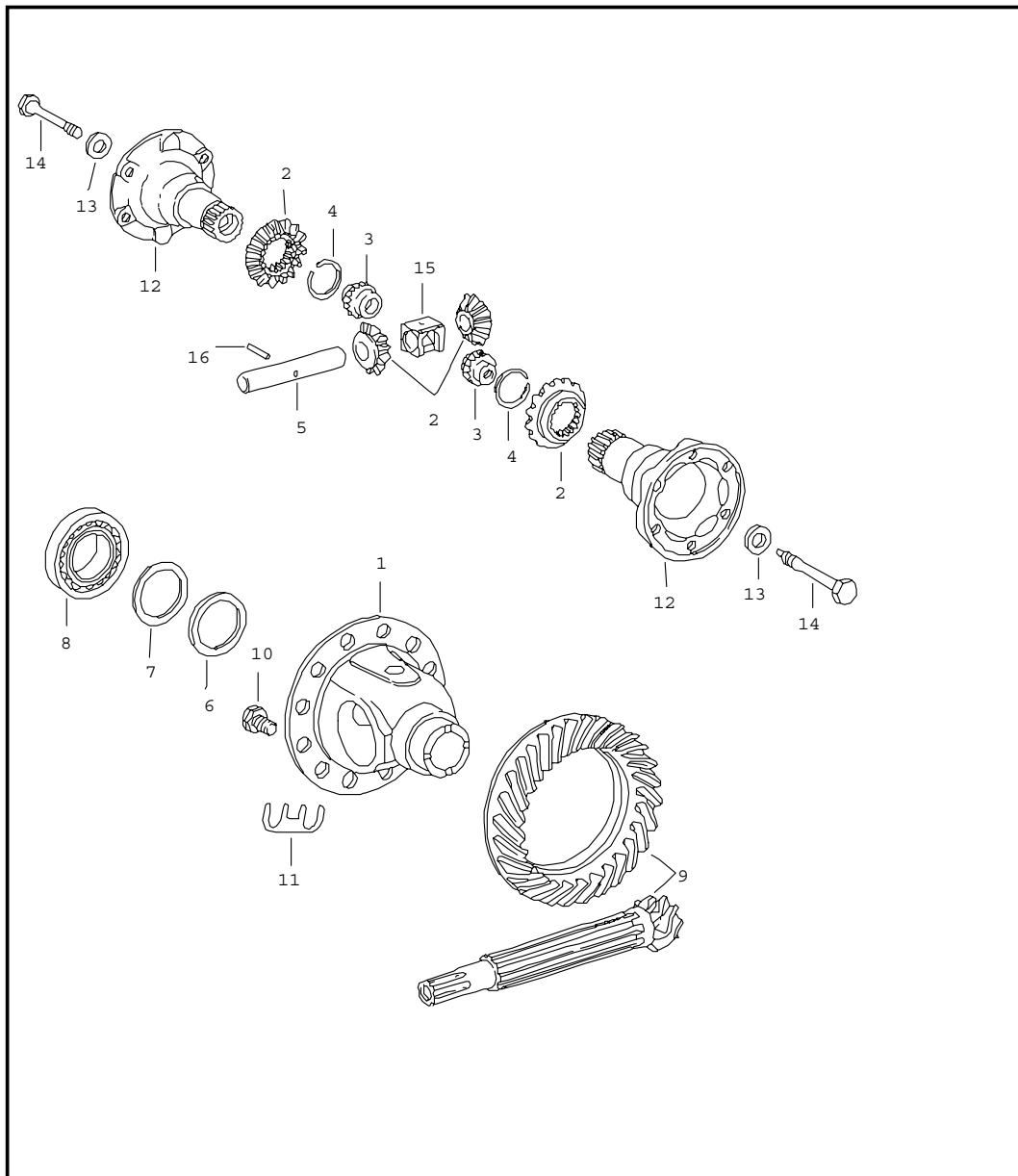


Pos	Part Number	Name	Remarks	Qty	Model
		differential with chilled casting or die casting housing without armature	70		
1	901 332 211 01	transmission case chilled casting		1	
(1)	905 332 212 00	transmission case		1	911 T/E:SPM
2	901 332 902 00	differential pinions set		1	
3	901 332 206 13	threaded piece		2	
4	999 152 014 00	snap ring		2	
6	901 332 265 01	spacer ring 2,5 MM		2	
(6)	901 332 265 02	spacer ring 2,6 MM		2	
(6)	901 332 265 03	spacer ring 2,7 MM		2	
(6)	901 332 265 04	spacer ring 2,8 MM		2	
(6)	901 332 265 05	spacer ring 2,9 MM		2	
(6)	901 332 265 06	spacer ring 3,0 MM		2	
(6)	901 332 265 07	spacer ring 3,1 MM		2	
(6)	901 332 265 08	spacer ring 3,2 MM		2	
(6)	901 332 265 09	spacer ring 3,3 MM		2	
(6)	901 332 265 10	spacer ring 3,4 MM		2	
(6)	901 332 265 11	spacer ring 3,5 MM		2	
(6)	901 332 265 12	spacer ring 3,6 MM		2	

Model	Year	MG	SG	Illustration	Restrictions	Update	12:02	21.08.2006	PORSCHE	PET	PORSCHE
911	73	3	05	305-00		203					

Pos	Part Number	Name	Remarks	Qty	Model	Pos	Part Number	Name	Remarks	Qty	Model
(6)	901 332 265 13	spacer ring 3,7 MM		2		8	999 059 008 00	ball bearing for chilled casting		2	
		spacer ring for die casting housing				(8)	999 059 027 00	ball bearing for die casting		2	
(6)	915 332 265 00	adjusting ring 2,4 MM		2		9	901 302 901 02	ring gear and pinion shaft 7:31		1	
(6)	915 332 265 01	adjusting ring 2,5 MM		2		(9)	905 302 901 01	ring gear and pinion shaft 7:27		1	911 T/E:SPM
(6)	915 332 265 02	adjusting ring 2,6 MM		2		10	901 332 276 00	hexagon-head bolt		12	
(6)	915 332 265 03	adjusting ring 2,7 MM		2		(10)	901 332 276 11	hexagon-head bolt only for limited-slip differential		12	
(6)	915 332 265 04	adjusting ring 2,8 MM		2		11	901 332 285 01	tab washer		6	
(6)	915 332 265 05	adjusting ring 2,9 MM		2		(11)	905 332 285 00	tab washer		6	911 T/E:SPM
(6)	915 332 265 06	adjusting ring 3,0 MM		2		12	901 332 209 15	joint flange - LOEBRO - for chilled casting		2	
(6)	915 332 265 07	adjusting ring 3,1 MM		2		(12)	901 332 209 21	joint flange - LOEBRO - for die casting		2	
(6)	915 332 265 08	adjusting ring 3,2 MM		2		13	901 332 261 11	washer		2	
(6)	915 332 265 09	adjusting ring 3,3 MM		2		14	901 332 275 11	elastic bolt		2	
(6)	915 332 265 10	adjusting ring 3,4 MM		2				- - - E N D - - -			
(6)	915 332 265 11	adjusting ring 3,5 MM		2							
(6)	915 332 265 12	adjusting ring 3,6 MM		2							
(6)	915 332 265 13	adjusting ring 3,7 MM		2							
7	901 332 263 01	washer for chilled casting		2							
(7)	915 332 263 00	adjusting ring for die casting		2							

Model	Year	MG	SG	Illustration	Restrictions	Update	12:02	21.08.2006	PORSCHE	PET	PORSCHE
911	73	3	05	305-05		203					

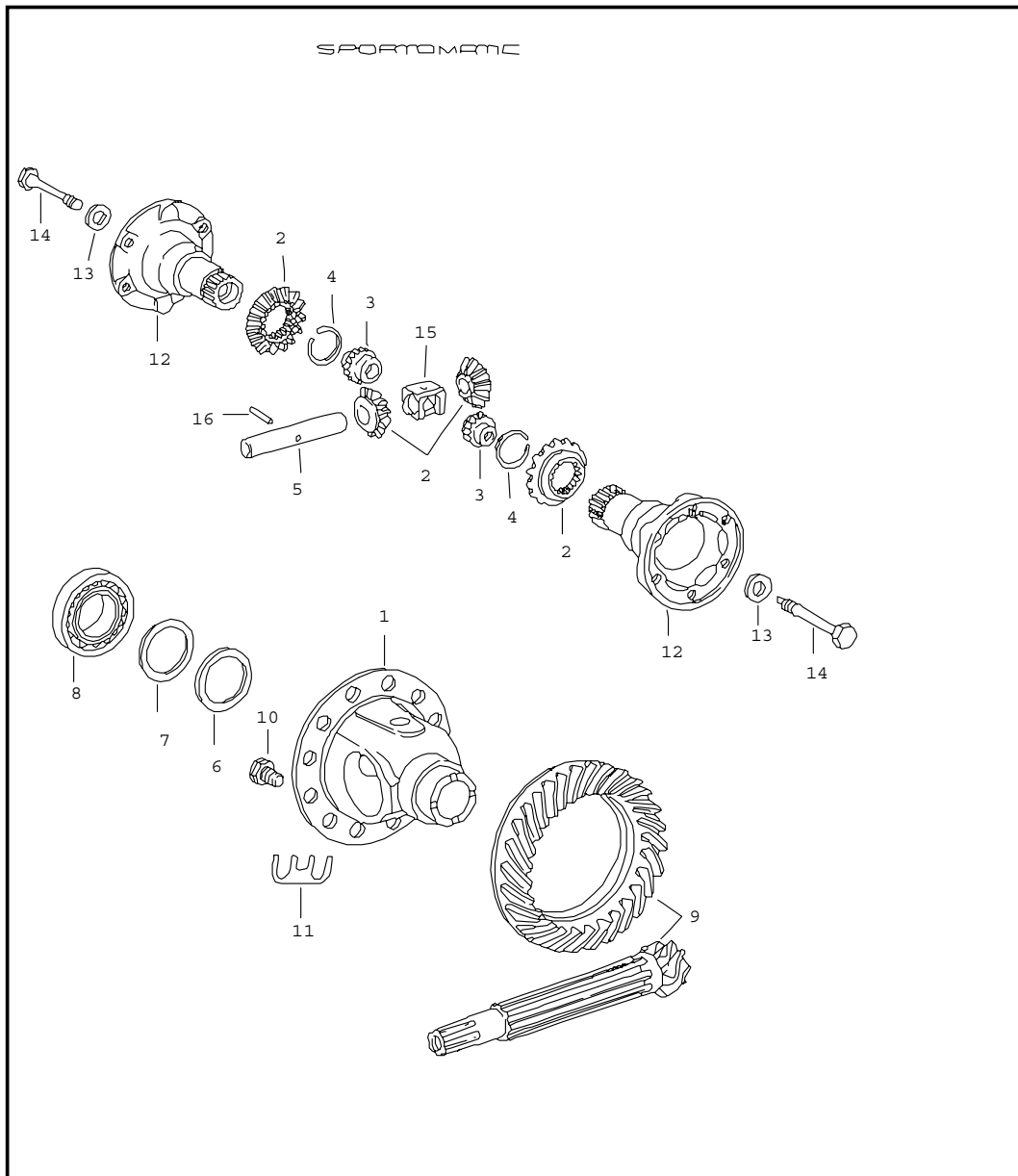


Pos	Part Number	Name	Remarks	Qty	Model
		differential for manual transmission TYP 915 and sportomatic TYP 925 with armature			
1	911 332 212 00	transmission case		1	
2	911 332 902 00	differential pinions set	70-71	1	
2	911 332 212 00	differential pinions set	72-	1	
3	911 332 206 01	threaded piece		2	
4	999 152 014 00	snap ring		2	
5	911 332 207 00	differential bolt		1	
6	915 332 265 00	adjusting ring 2,4 MM		2	
(6)	915 332 265 01	adjusting ring 2,5 MM		2	
(6)	915 332 265 02	adjusting ring 2,6 MM		2	
(6)	915 332 265 03	adjusting ring 2,7 MM		2	
(6)	915 332 265 04	adjusting ring 2,8 MM		2	
(6)	915 332 265 05	adjusting ring 2,9 MM		2	
(6)	915 332 265 06	adjusting ring 3,0 MM		2	
(6)	915 332 265 07	adjusting ring 3,1 MM		2	
(6)	915 332 265 08	adjusting ring 3,2 MM		2	
(6)	915 332 265 09	adjusting ring 3,3 MM		2	
(6)	915 332 265 10	adjusting ring 3,4 MM		2	

Model	Year	MG	SG	Illustration	Restrictions	Update	12:02	21.08.2006	PORSCHE	PET	PORSCHE
911	73	3	05	305-05		203					

Pos	Part Number	Name	Remarks	Qty	Model	Pos	Part Number	Name	Remarks	Qty	Model
(6)	915 332 265 11	adjusting ring 3,5 MM		2							
(6)	915 332 265 12	adjusting ring 3,6 MM		2							
(6)	915 332 265 13	adjusting ring 3,7 MM		2							
7	915 332 263 00	adjusting ring		2							
8	999 059 027 00	ball bearing		2							
9	901 302 901 02	ring gear and pinion shaft 7:31	-71	1							
(9)	915 302 911 16	ring gear and pinion shaft 7:31	72-	1							
(9)	905 302 901 01	ring gear and pinion shaft 7:27	-71	1	SPM						
(9)	925 302 911 00	ring gear and pinion shaft 7:27	72-	1	SPM						
10	901 332 276 00	hexagon-head bolt		12							
(10)	901 332 276 11	hexagon-head bolt only for limited-slip differential	-71	12							
(10)	928 332 276 03	hexagon-head bolt only for limited-slip differential	72-	12							
11	901 332 285 01	tab washer		6							
12	911 332 209 00	joint flange	-71	2							
(12)	915 332 209 01	joint flange	72-	2							
(12)	925 332 209 04	joint flange		2	SPM						
13	901 332 261 11	washer		2							
14	901 332 275 12	elastic bolt		2							
15	911 332 208 00	armature		2							
16	900 308 005 00	roll pin 6 X 28		2							
		- - - E N D - - -									

Model	Year	MG	SG	Illustration	Restrictions	Update	12:02	21.08.2006	PORSCHE	PET	PORSCHE
911	73	3	05	305-10		203					

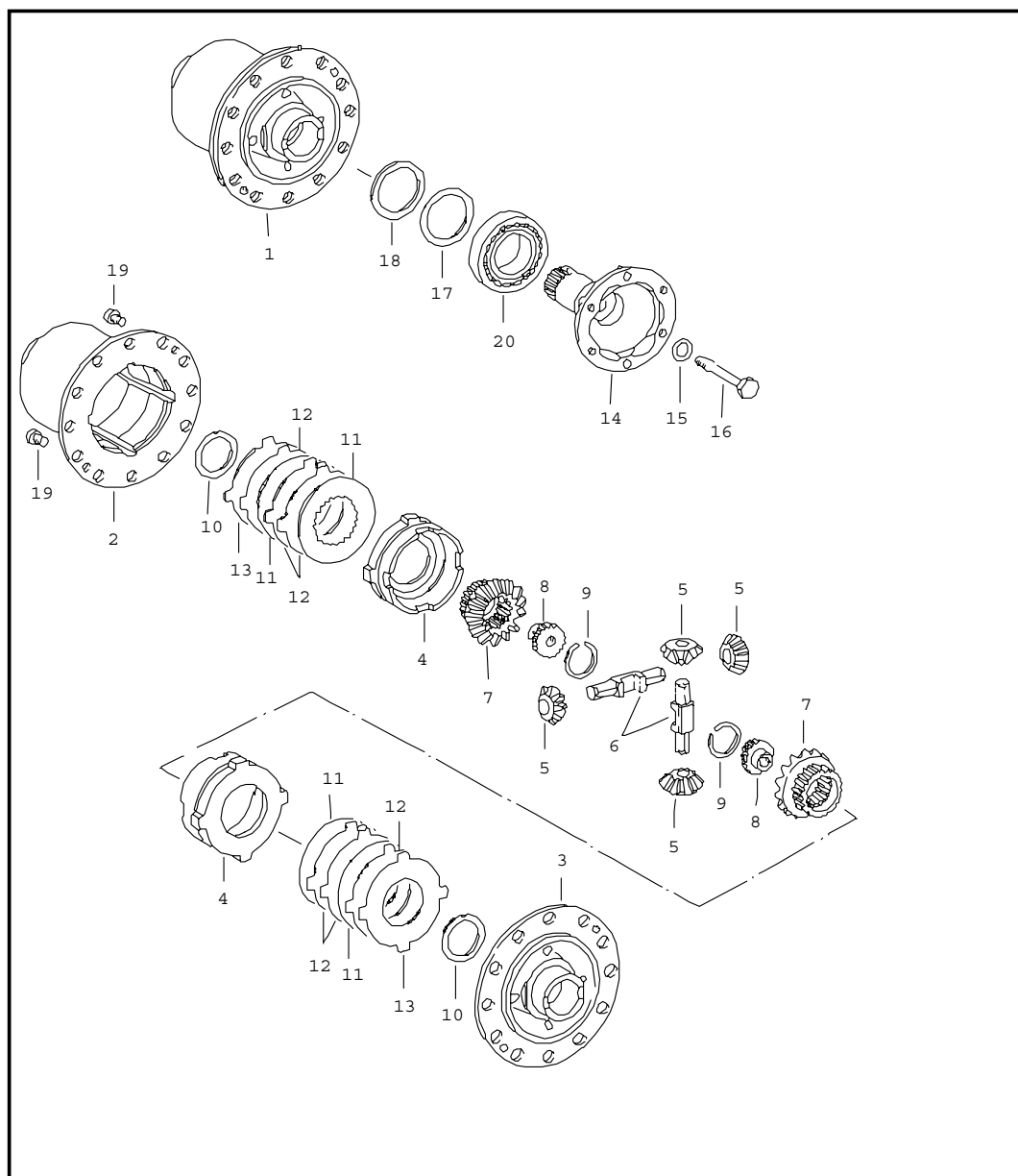


Pos	Part Number	Name	Remarks	Qty	Model
		differential for sportomatic TYP 905			SPM
1	905 332 212 00	transmission case		1	
2	901 332 902 00	differential pinions set		1	
3	901 332 206 13	threaded piece		2	
4	999 152 014 00	snap ring		2	
5	901 332 207 04	differential bolt		1	
6	901 332 265 01	spacer ring 2,5 MM		2	
(6)	901 332 265 02	spacer ring 2,6 MM		2	
(6)	901 332 265 03	spacer ring 2,7 MM		2	
(6)	901 332 265 04	spacer ring 2,8 MM		2	
(6)	901 332 265 05	spacer ring 2,9 MM		2	
(6)	901 332 265 06	spacer ring 3,0 MM		2	
(6)	901 332 265 07	spacer ring 3,1 MM		2	
(6)	901 332 265 08	spacer ring 3,2 MM		2	
(6)	901 332 265 09	spacer ring 3,3 MM		2	
(6)	901 332 265 10	spacer ring 3,4 MM		2	
(6)	901 332 265 11	spacer ring 3,5 MM		2	
(6)	901 332 265 12	spacer ring 3,6 MM		2	
(6)	901 332 265 13	spacer ring 3,7 MM		2	
7	901 332 263 01	washer		2	
8	999 059 008 00	ball bearing		2	

Model	Year	MG	SG	Illustration	Restrictions	Update	12:02	21.08.2006	PORSCHE	PET	PORSCHE
911	73	3	05	305-10		203					

Pos	Part Number	Name	Remarks	Qty	Model	Pos	Part Number	Name	Remarks	Qty	Model
9	905 302 901 01	ring gear and pinion shaft 7:27		1							
10	901 332 276 00	hexagon-head bolt		12							
11	905 332 285 00	tab washer		6							
12	901 332 209 15	joint flange		2							
13	901 332 261 11	washer		2							
14	901 332 275 12	elastic bolt		2							
15	911 332 208 00	armature		2							
16	900 308 005 00	roll pin 6 X 28		2							
		- - - E N D - - -									

Model	Year	MG	SG	Illustration	Restrictions	Update	12:02	21.08.2006	PORSCHE	PET	PORSCHE
911	73	3	05	305-15		203					

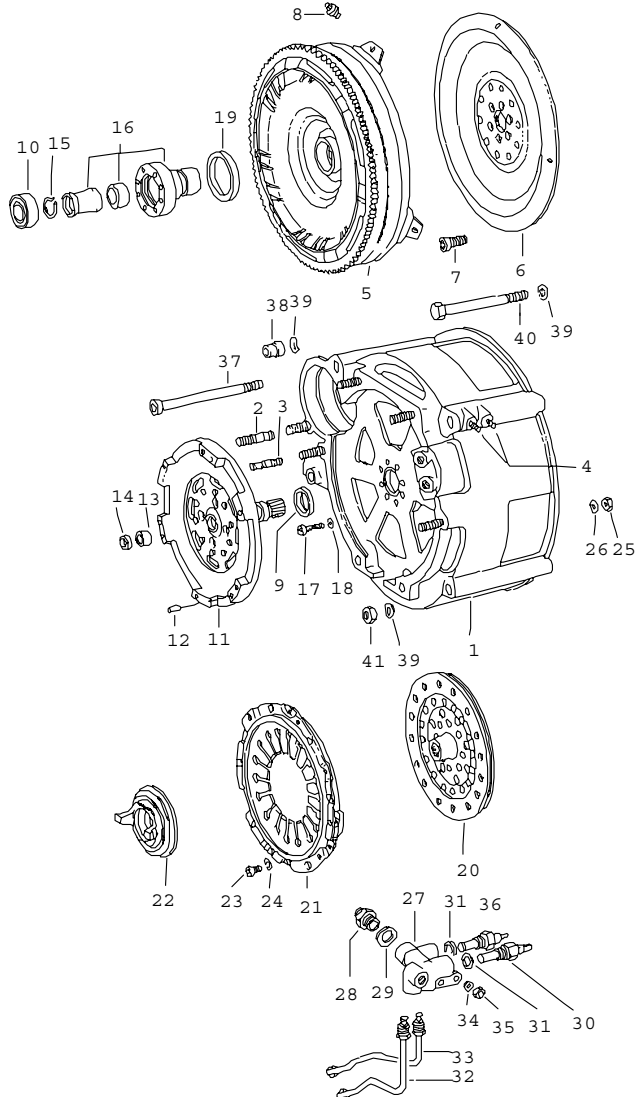


Pos	Part Number	Name	Remarks	Qty	Model
		limited-slip differential			
1	901 332 053 13	limited-slip differential		1	
2	901 332 055 13	housing		1	
3	901 332 506 11	housing cover		1	
4	901 332 511 11	thrust ring		2	
5	915 332 531 02	bevel pinion		4	
6	915 332 541 02	differential shaft		2	
7	901 332 535 11	shaft bevel gear		2	
8	901 332 206 12	threaded piece		2	
9	999 152 014 00	snap ring SW 32		2	
10	901 332 561 11	thrust washer		2	
11	901 332 551 21	inner disc 2,0 MM		4	
(11)	901 332 551 22	inner disc 1,9 MM		X	
(11)	901 332 551 23	inner disc 2,1 MM		X	
12	901 332 552 11	disc with external splines		6	
13	928 332 555 00	cup spring		2	
14	901 332 209 21	joint flange	-70	2	
(14)	915 332 209 21	joint flange	71-	2	
15	901 332 261 11	washer		2	
16	901 332 275 12	elastic bolt		2	
17	915 332 263 00	adjusting ring		2	
18	915 332 265 00	adjusting ring 2,4 MM		2	
(18)	915 332 265 01	adjusting ring 2,5 MM		X	
(18)	915 332 265 02	adjusting ring 2,6 MM		X	
(18)	915 332 265 03	adjusting ring 2,7 MM		X	

Model	Year	MG	SG	Illustration	Restrictions	Update	12:02	21.08.2006	PORSCHE	PET	PORSCHE
911	73	3	05	305-15		203					

Pos	Part Number	Name	Remarks	Qty	Model	Pos	Part Number	Name	Remarks	Qty	Model
(18)	915 332 265 04	adjusting ring 2,8 MM		X							
(18)	915 332 265 05	adjusting ring 2,9 MM		X							
(18)	915 332 265 06	adjusting ring 3,0 MM		X							
(18)	915 332 265 07	adjusting ring 3,1 MM		X							
(18)	915 332 265 08	adjusting ring 3,2 MM		X							
(18)	915 332 265 09	adjusting ring 3,3 MM		X							
(18)	915 332 265 10	adjusting ring 3,4 MM		X							
(18)	915 332 265 11	adjusting ring 3,5 MM		X							
(18)	915 332 265 12	adjusting ring 3,6 MM		X							
(18)	915 332 265 13	adjusting ring 3,7 MM		X							
19	900 119 002 00	pan-head screw M 6 X 10		2							
20	999 059 027 00	taper roller bearing		2							
		- - - E N D - - -									

Model	Year	MG	SG	Illustration	Restrictions	Update	12:03	21.08.2006	PORSCHE	PET	PORSCHE
911	73	3	06	306-00		203					

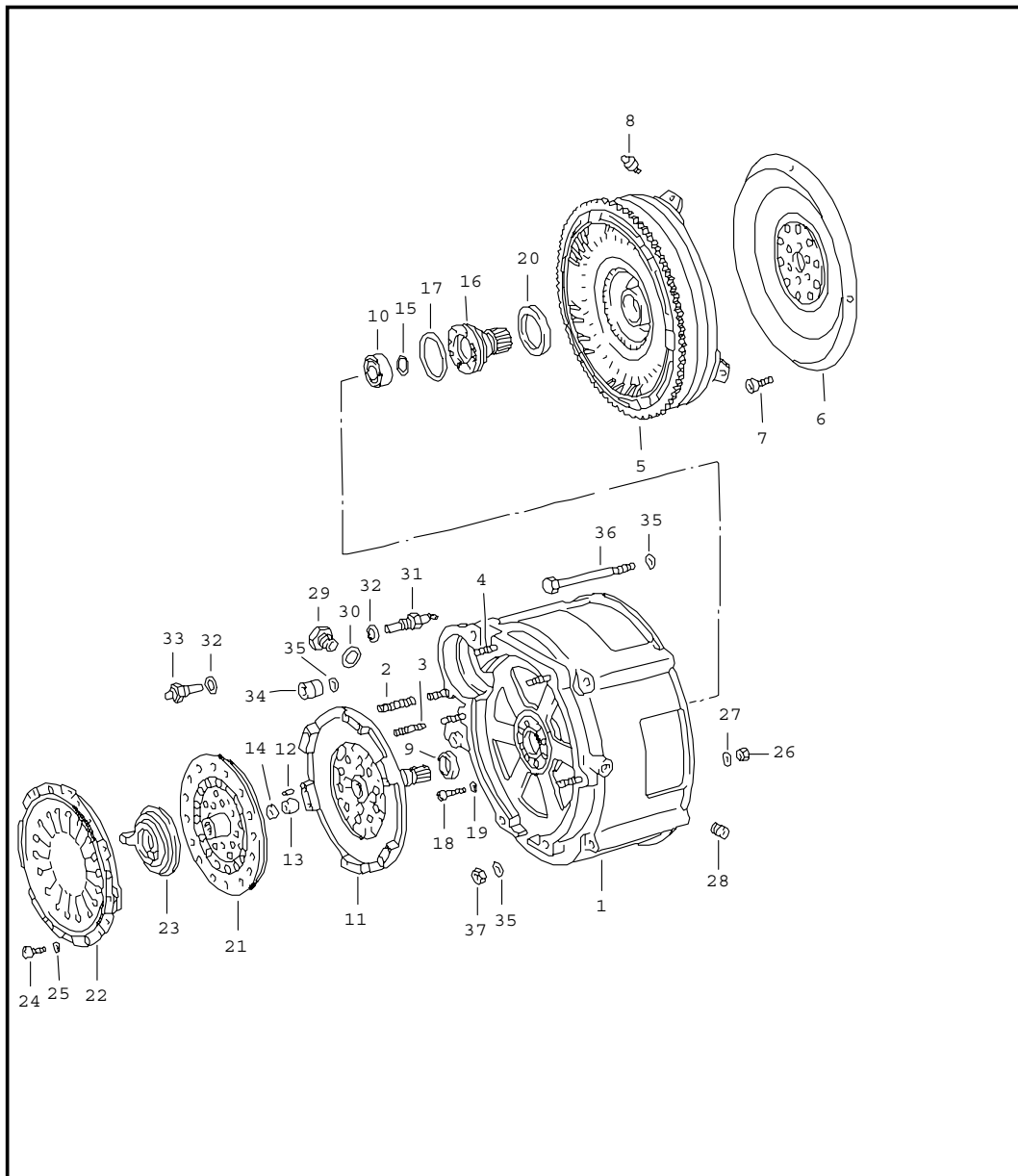


Pos	Part Number	Name	Remarks	Qty	Model
		converter and converter housing TYP 905/21 sportomatic	-71		911 T/E
		converter housing with stud	72-		911 T-V
1	905 301 007 01	converter housing with stud		1	
2	900 061 014 01	stud BM 10 X 22		1	
(3)	900 061 009 01	stud BM 8 X 28		1	
3	900 061 007 01	stud BM 8 X 22		3	
4	999 062 002 02	stud BM 6 X 15		2	
5	905 116 002 20	torque converter with starter ring		1	
		G 700 0001 >> 700 9999	-70		911.300/00
		G 710 0001 >> 710 9999			911.300/01
		G 770 0001 >> 770 3000			911.300/01
		G 730 9101 >> 730 9200			911.300/80
		G 730 9201 >> 730 9300			911.300/81
		G 730 9301 >> 730 9400			911.300/82
		G 730 9401 >> 730 9500			911.300/83
		G 730 9501 >> 730 9600			911.300/84
		G 720 0001 >> 720 9999			905.300/20
6	905 116 024 11	drive plate		1	
7	999 067 009 01	pan-head screw		6	
8	905 116 026 00	12 point socket		4	
9	PCG 113 071 50	radial shaft seal 25 X 35 X 6		1	
10	900 052 027 00	deep-groove ball bearing 6004		1	
11	905 116 027 10	turbine shaft		1	
12	999 012 018 00	straight pin		3	
13	999 201 021 00	needle sleeve HK 1210 INA		1	
14	PCG 201 301 00	shaft seal 12 X 18 X 3 INA		1	

Model	Year	MG	SG	Illustration	Restrictions	Update	12:03	21.08.2006	PORSCHE	PET	PORSCHE
911	73	3	06	306-00		203					

Pos	Part Number	Name	Remarks	Qty	Model	Pos	Part Number	Name	Remarks	Qty	Model
15	N 012 420 1	circlip 20 X 1,2		1		29	900 123 019 20	sealing ring A 16 X 22 CU		1	
16	905 116 020 01	free wheel lock bracket complete		1		30	905 613 102 04	temperature switch		1	
17	999 186 002 01	pan-head screw		8		31	900 123 007 30	sealing ring A 14 X 18 AL		2	
18	N 013 804 2	sealing ring A 6 X 10		8		32	905 301 013 10	pressure pipe complete		1	
19	999 113 189 40	radial sealing ring 45 X 60 X 7		1		33	905 301 014 10	return pipe complete	-71	1	
20	905 116 254 20	clutch plate G 700 0001 >> 700 9999 G 710 0001 >> 710 9999 G 770 0001 >> 770 3000 G 730 9101 >> 730 9200 G 730 9201 >> 730 9300 G 730 9301 >> 730 9400 G 730 9401 >> 730 9500 G 730 9501 >> 730 9600 G 720 0001 >> 720 9999	-70	1	911.300/00 911.300/01 911.300/01 911.300/80 911.300/81 911.300/82 911.300/83 911.300/84 905.300/20	(33)	905 301 014 11	return pipe complete	72-	1	
						34	900 028 008 01	spring washer B 6		2	
						35	900 076 010 02	hexagon nut M 6		2	
						36	901 641 632 00	remote temperature sensor		1	
21	905 116 255 10	pressure plate G 700 0001 >> 700 9999 G 710 0001 >> 710 9999 G 770 0001 >> 770 3000 G 730 9101 >> 730 9200 G 730 9201 >> 730 9300 G 730 9301 >> 730 9400 G 730 9401 >> 730 9500 G 730 9501 >> 730 9600 G 720 0001 >> 720 9999	-70	1	911.300/00 911.300/01 911.300/01 911.300/80 911.300/81 911.300/82 911.300/83 911.300/84 905.300/20	37	900 067 078 02	pan-head screw M 10 X 150	-71	1	
						38	901 104 382 02	cylinder head nut	72-	1	
						39	N 012 242 3	spring washer B 10 X 18	-71 72-	4 5	
						40	900 155 018 02	hexagon-head bolt M 10 X 110	/L	1	
						41	900 157 002 02	hexagon nut M 10		2	
22	925 116 081 00	clutch release bearing		1							
23	999 067 010 01	pan-head screw		6				- - - E N D - - -			
24	N 012 026 3	lock ring 6		6							
25	N 011 010 6	hexagon nut M 10		2							
26	N 012 242 3	spring washer B 10 X 18		2							
27	905 301 125 11	switch housing		1							
28	900 129 009 02	double socket 8	-71	1							
(28)	905 301 014 11	union A 10	72-	1							

Model	Year	MG	SG	Illustration	Restrictions	Update	12:03	21.08.2006	PORSCHE	PET	PORSCHE
911	73	3	06	306-05		203					

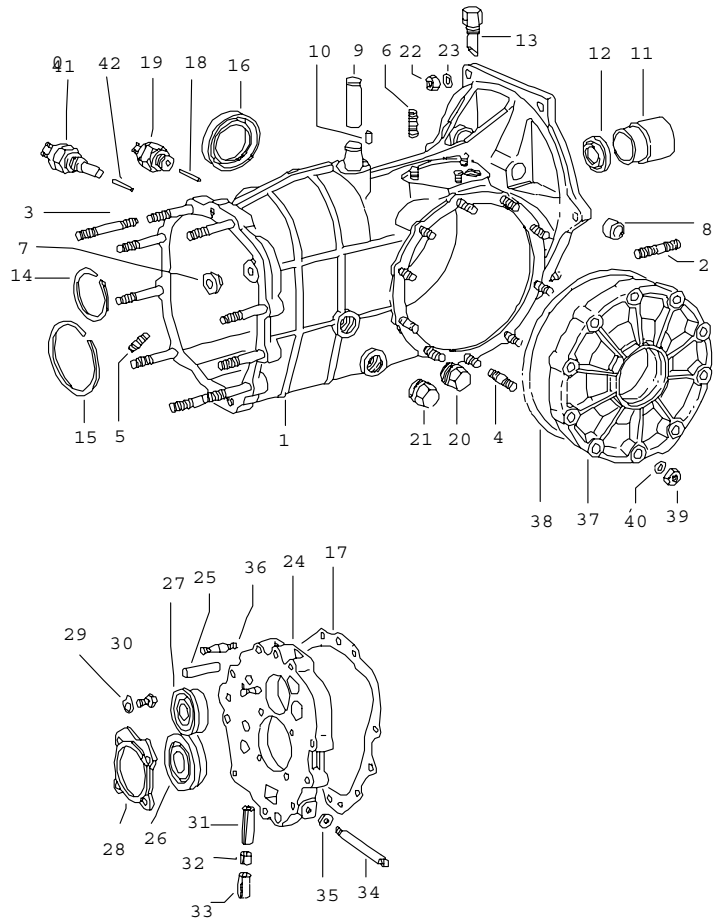


Pos	Part Number	Name	Remarks	Qty	Model
		converter and converter housing TYP 925 sportomatic	72-		911 T-E/E/S CARRERA 2.7
1	925 301 007 00	converter housing with stud		1	
2	900 061 014 02	stud BM 10 X 22		1	
3	999 062 008 02	stud BM 8 X 25		3	
4	999 062 009 02	stud BM 8 X 28		1	
5	905 116 002 20	converter with starter ring not for - CARRERA 2.7-		1	911 T-E/E
(5)	925 116 005 00	converter with starter ring not for - CARRERA 2.7-		1	911 S
6	905 116 024 11	drive plate not for - CARRERA 2.7-		1	
7	999 067 009 01	pan-head screw		6	
8	905 116 026 00	12 point socket not for - CARRERA 2,7 -		4	
9	999 113 205 40	shaft seal 26 X 37 X 7		1	
10	900 052 095 00	deep-groove ball bearing 6204		1	
11	925 116 027 00	turbine shaft		1	
12	999 012 018 00	straight pin		3	
13	999 201 021 00	needle sleeve HK 1210 INA		1	
14	PCG 201 301 00	shaft seal 12 X 18 X 3 INA		1	

Model	Year	MG	SG	Illustration	Restrictions	Update	12:03	21.08.2006	PORSCHE	PET	PORSCHE
911	73	3	06	306-05		203					

Pos	Part Number	Name	Remarks	Qty	Model	Pos	Part Number	Name	Remarks	Qty	Model
15	N 042 364 1	circlip 20 X 1,75		1		37	900 157 002 02	hexagon nut M 10		2	
16	925 116 020 01	free wheel lock bracket complete		1				- - - E N D - - -			
17	999 701 397 40	o-ring OR 72 - 2,5		1							
18	999 186 002 01	pan-head screw		8							
19	N 013 804 2	sealing ring A 6 X 10 CU		8							
20	999 113 189 40	shaft seal		1							
21	925 116 254 02	clutch plate		1							
22	925 116 255 05	clutch pressure plate		1							
23	925 116 081 00	clutch release bearing		1							
24	999 067 010 01	pan-head screw		6							
25	N 012 026 3	lock ring 6		6							
26	N 011 010 6	hexagon nut M 10		2							
27	N 012 242 3	spring washer B 10 X 18		2							
28	999 504 090 00	threaded insert heli-coil M 12 X 1,5		1							
29	925 301 115 00	screw socket		1							
30	900 123 060 30	sealing ring A 24 X 29 AL		1							
31	905 613 102 04	temperature switch		1							
32	900 123 007 30	sealing ring A 14 X 18 AL		1							
33	901 641 632 00	remote temperature sensor		1							
34	901 104 382 02	cylinder head nut		2							
35	N 012 242 3	spring washer B 10 X 18		5							
36	900 155 018 02	hexagon-head bolt M 10 X 110		1							

Model	Year	MG	SG	Illustration	Restrictions	Update	12:03	21.08.2006	PORSCHE	PET	PORSCHE
911	73	3	07	307-00		203					



Pos	Part Number	Name	Remarks	Qty	Model
		transmission case sportomatic	-71		911 T/E
1	905 301 010 20	transmission case G 700 0001 >> 700 9999 G 710 0001 >> 710 9999 G 770 0001 >> 770 3000 G 730 9101 >> 730 9200 G 730 9201 >> 730 9300 G 730 9301 >> 730 9400 G 730 9401 >> 730 9500 G 730 9501 >> 730 9600 G 720 0001 >> 720 9999	-70	1	911.300/00 911.300/01 911.300/01 911.300/80 911.300/81 911.300/82 911.300/83 911.300/84 905.300/20
2	900 061 118 02	stud BM 10 X 28		2	
-	900 061 138 01	stud BM 8 X 52 G 700 0001 >> 700 9999 G 710 0001 >> 710 9999 G 770 0001 >> 770 3000 G 730 9101 >> 730 9200 G 730 9201 >> 730 9300 G 730 9301 >> 730 9400 G 730 9401 >> 730 9500 G 730 9501 >> 730 9600 G 720 0001 >> 720 9999	-70	1	911.300/00 911.300/01 911.300/01 911.300/80 911.300/81 911.300/82 911.300/83 911.300/84 905.300/20
3	900 061 012 01	stud BM 8 X 50		8	
(3)	900 061 138 01	stud BM 8 X 52	71	1	
4	900 061 007 01	stud BM 8 X 22		9	
5	900 061 057 01	stud BM 8 X 15		2	
6	900 061 004 02	stud BM 8 X 12		3	
7	905 302 291 00	thrust ring		1	
8	905 116 727 00	bush for clutch lever shaft		2	
9	905 116 707 01	pin		1	
10	999 095 102 00	clamping pin S 5 X 12		1	
11	905 116 813 01	guide tube		1	

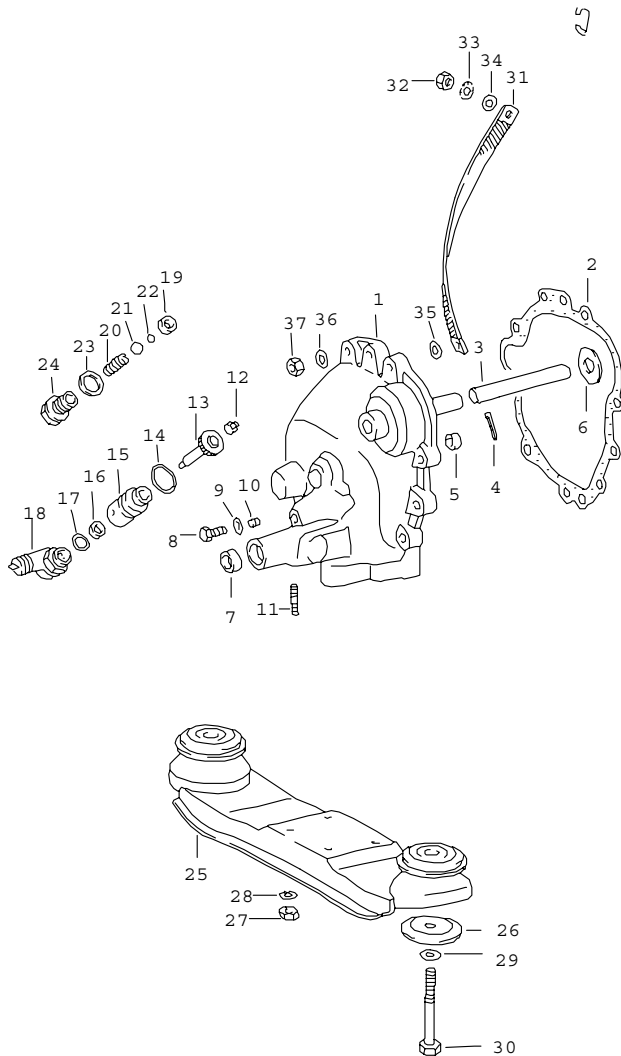
Model	Year	MG	SG	Illustration	Restrictions	Update	12:03	21.08.2006	PORSCHE	PET	PORSCHE
911	73	3	07	307-00		203					

Pos	Part Number	Name	Remarks	Qty	Model	Pos	Part Number	Name	Remarks	Qty	Model
12	* 999 113 286 40	shaft seal 22 X 35 X 8		1		30	N 010 239 11	hexagon-head bolt M 8 X 18		4	
13	904 301 071 00	bleeder		1		31	901 303 241 01	bush for gear lock detent		1	
14	999 042 301 01	snap ring SB 52		2		32	905 303 242 00	bush for gear lock detent		1	
15	999 041 305 01	snap ring SB 79		1		33	905 303 243 00	bush for gear lock detent		1	
16	* 999 113 058 50	radial sealing ring 45 X 65 X 10		2		34	914 301 307 00	bolt for reverse lever		1	
17	* 905 301 191 00	gasket for transmission case 0,10 MM		X		35	N 012 241 1	spring washer B 8		1	
(17)	* 905 301 191 01	gasket for transmission case 0,15 MM		X		36	905 303 136 00	bolt		1	
(17)	* 905 301 191 02	gasket for transmission case 0,20 MM		X		37	905 301 311 11	transmission cover lateral		1	
18	905 303 245 02	cam follower for switch		1		38	* 999 701 286 40	o-ring 160 X 3		1	
19	905 613 051 02	back-up light switch		1		(38)	* 905 301 391 00	gasket for transmission cover lateral without groove old version		1	
20	999 064 019 02	screw plug		1		39	900 076 025 02	hexagon nut M 8		X	
21	999 064 020 02	screw plug with magnet		1		40	N 012 241 1	spring washer B 8 X 15		X	
22	900 076 025 02	hexagon nut M 8		4		41	905 613 101 02	bridging switch G 700 0001 >> 700 9999 G 710 0001 >> 710 9999 G 770 0001 >> 770 3000 G 730 9101 >> 730 9200 G 730 9201 >> 730 9300 G 730 9301 >> 730 9400 G 730 9401 >> 730 9500 G 730 9501 >> 730 9600 G 720 0001 >> 720 9999		1	911.300/00 911.300/01 911.300/01 911.300/80 911.300/81 911.300/82 911.300/83 911.300/84 905.300/20
23	N 012 241 1	spring washer B 8 X 15		4							
24	905 301 221 01	intermediate plate		1							
25	900 012 027 00	straight pin 10 M 6 X 45		2							
26	999 052 016 00	four-point bearing		1							
27	999 053 025 00	angular-contact bearing		1							
28	901 301 251 01	tensioning plate		1							
29	999 039 001 00	tab washer		4							

Model	Year	MG	SG	Illustration	Restrictions	Update	12:03	21.08.2006	PORSCHE	PET	PORSCHE
911	73	3	07	307-00		203					

Pos	Part Number	Name	Remarks	Qty	Model	Pos	Part Number	Name	Remarks	Qty	Model
42	914 303 246 10	cam follower for bridging switch		1							
		G 700 0001 >> 700 9999			911.300/00						
		G 710 0001 >> 710 9999			911.300/01						
		G 770 0001 >> 770 3000			911.300/01						
		G 730 9101 >> 730 9200			911.300/80						
		G 730 9201 >> 730 9300			911.300/81						
		G 730 9301 >> 730 9400			911.300/82						
		G 730 9401 >> 730 9500			911.300/83						
		G 730 9501 >> 730 9600			911.300/84						
		G 720 0001 >> 720 9999			905.300/20						
		- - - E N D - - -									

Model	Year	MG	SG	Illustration	Restrictions	Update	12:03	21.08.2006	PORSCHE	PET	PORSCHE
911	73	3	07	307-05		203					

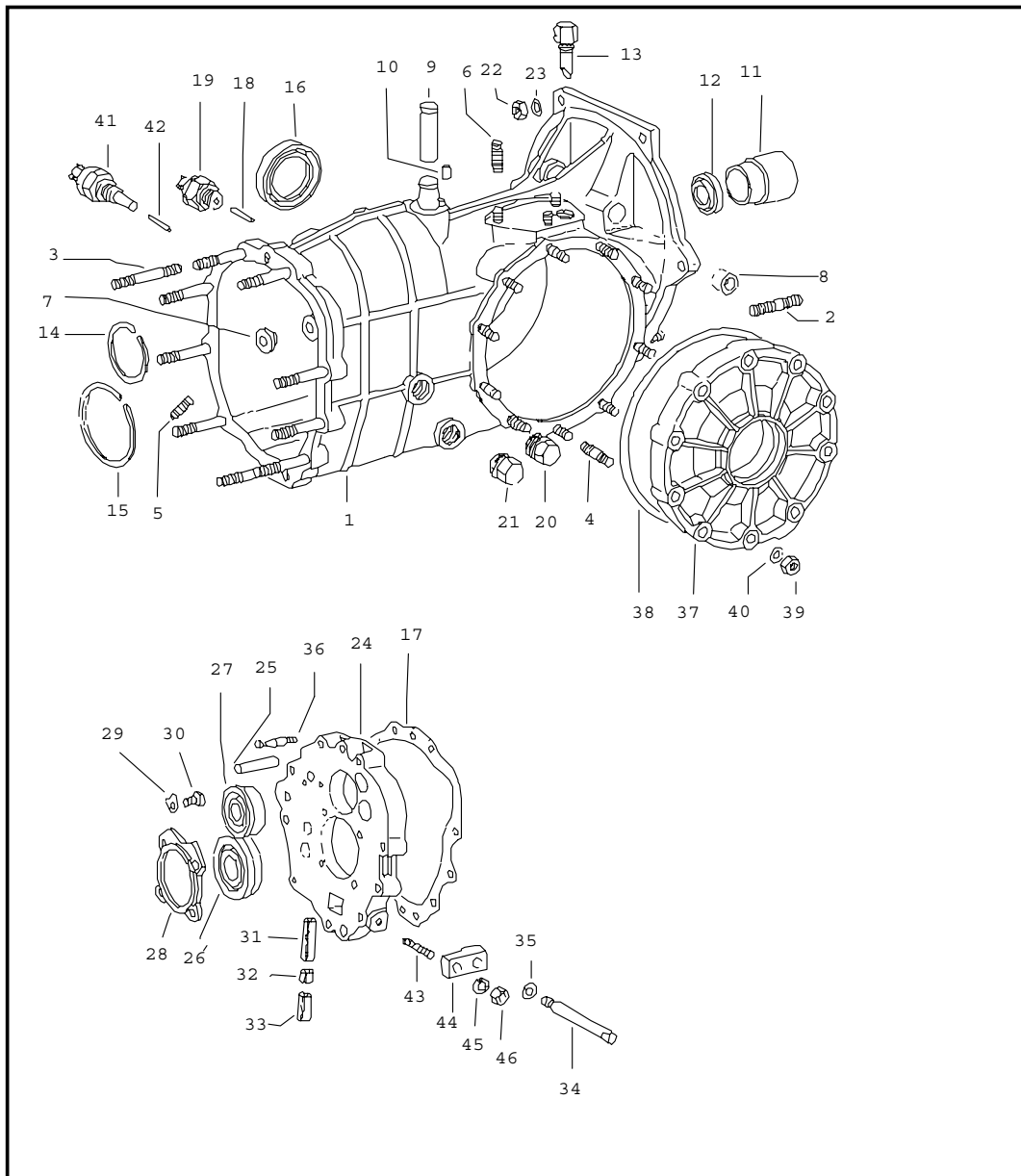


Pos	Part Number	Name	Remarks	Qty	Model
		transmission cover transmission suspension sportomatic	-71		911 T/E
1	905 301 031 20	transmission cover complete with studs G 700 0001 >> 700 9999 G 710 0001 >> 710 9999 G 770 0001 >> 770 3000 G 730 9101 >> 730 9200 G 730 9201 >> 730 9300 G 730 9301 >> 730 9400 G 730 9401 >> 730 9500 G 739 9501 >> 730 9600 G 720 0001 >> 720 9999	-70	1	911.300/00 911.300/01 911.300/01 911.300/80 911.300/81 911.300/82 911.300/83 911.300/84 905.300/20
2	905 301 392 02	gasket for transmission cover front		1	
3	905 302 255 00	bolt for reverse idler gear		1	
4	900 095 019 01	tensioning sleeve 5 X 30		1	
5	901 318 244 01	bearing sleeve		1	
6	905 302 292 00	thrust washer for reverse gear		1	
7	* 999 113 185 40	shaft seal A 15 X 24 X 7		1	
8	901 318 272 03	hexagon-head bolt		1	
9	900 031 001 02	washer 8,4		1	
10	999 504 070 00	threaded insert heli-coil		1	
11	900 061 057 01	stud BM 8 X 15		4	
12	901 318 273 01	stop pin		1	
13	905 318 333 10	stub shaft for speedometer drive		1	
14	* 999 701 084 50	o-ring 25,3 X 2,4		1	

Model	Year	MG	SG	Illustration	Restrictions	Update	12:03	21.08.2006	PORSCHE	PET	PORSCHE
911	73	3	07	307-05		203					

Pos	Part Number	Name	Remarks	Qty	Model	Pos	Part Number	Name	Remarks	Qty	Model
15	901 318 243 12	guide bush		1		36	N 012 241 1	spring washer B 8 X 15		X	
16	* 999 113 036 50	radial sealing ring BA 10 X 8 X 6		1		37	900 076 025 02	hexagon nut M 8		X	
17	914 318 261 01	sealing washer		1							
18	911 318 029 00	v-drive		1							
19	905 303 236 00	washer		1							
20	905 303 237 00	spring for parking lock		1							
21	N 025 667 2	ball for parking lock 9 MM		1							
22	900 108 010 00	ball for parking lock 7 MM		1							
23	* N 013 849 2	sealing ring A 14 X 18 CU		1							
24	905 303 238 00	screw plug		1							
25	905 305 031 01	transmission carrier		1							
26	901 305 311 00	seat	71 -70	4 2							
27	999 090 101 02	mid-grip nut		4							
28	900 031 001 02	washer 8,4		4							
29	900 027 017 02	lock ring B 12		2							
30	901 305 317 00	hexagon-head bolt		2							
31	999 611 918 20	ground strap		1							
32	900 076 030 02	hexagon nut M 8		1							
33	N 012 132 2	shake-proof washer A 8		1							
34	900 025 025 02	washer 8,4		2							
35	999 151 022 02	washer 20 X 8,4 X 2		2							

Model	Year	MG	SG	Illustration	Restrictions	Update	12:04	21.08.2006	PORSCHE	PET	PORSCHE
911	73	3	07	307-10		203					

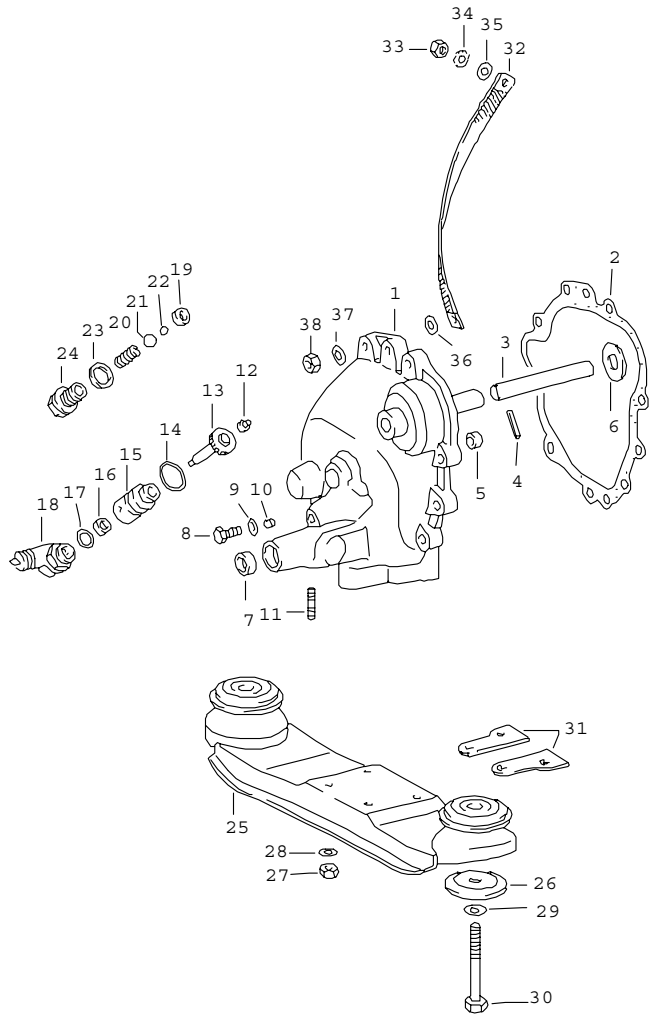


Pos	Part Number	Name	Remarks	Qty	Model
		transmission case sportomatic TYP 905/21	72-		911 T-V
1	905 301 010 20	transmission case		1	
2	900 061 118 02	stud BM 10 X 28		2	
3	900 061 012 01	stud BM 8 X 50		8	
(3)	900 061 138 01	stud BM 8 X 52		1	
4	900 061 007 01	stud BM 8 X 22		9	
5	900 061 057 01	stud BM 8 X 15		2	
6	900 061 004 02	stud BM 8 X 12		3	
7	905 302 291 00	thrust ring		1	
8	905 116 727 00	bush		2	
9	905 116 707 01	pin		1	
10	999 095 102 00	clamping pin S 5 X 12		1	
11	905 116 813 01	guide tube		1	
12	* 999 113 286 40	shaft seal 22 X 35 X 8		1	
13	904 301 071 00	bleeder		1	
14	999 042 301 01	snap ring SB 52		2	
15	999 041 305 01	snap ring SB 79		1	
16	* 999 113 058 50	radial sealing ring 45 X 65 X 10		2	
17	* 905 301 191 00	gasket for transmission case 0,10 MM		X	
(17)	* 905 301 191 01	gasket for transmission case 0,15 MM		X	

Model	Year	MG	SG	Illustration	Restrictions	Update	12:04	21.08.2006	PORSCHE	PET	PORSCHE
911	73	3	07	307-10		203					

Pos	Part Number	Name	Remarks	Qty	Model	Pos	Part Number	Name	Remarks	Qty	Model
(17)	* 905 301 191 02	gasket for transmission case 0,20 MM		X		37	905 301 311 11	transmission cover lateral		1	
18	905 303 245 02	cam follower for switch		1		38	* 999 701 286 40	o-ring 160 X 3		1	
19	905 613 051 02	back-up light switch		1		39	900 076 025 02	hexagon nut M 8		X	
20	999 064 019 02	screw plug		1		40	N 012 241 1	spring washer B 8 X 15		X	
21	999 064 020 02	screw plug with magnet		1		41	905 613 101 02	bridging switch		1	
22	900 076 025 02	hexagon nut M 8		4		42	914 303 246 10	cam follower for bridging switch		1	
23	N 012 241 1	spring washer B 8 X 15		4		43	905 301 351 00	stud		1	
24	905 301 221 01	intermediate plate		1		44	905 423 321 00	intermediate piece		1	
25	900 012 027 00	straight pin 10 M 6 X 45		2		45	900 025 007 02	washer 8,4		1	
26	999 052 016 00	four-point bearing		1		46	999 090 101 02	mid-grip nut		1	
27	999 053 025 00	angular-contact bearing		1				- - - E N D - - -			
28	901 301 251 01	tensioning plate		2							
29	999 039 001 00	tab washer		4							
30	N 010 239 11	hexagon-head bolt M 8 X 18		4							
31	901 303 241 01	bush for gear lock detent		1							
32	905 303 242 00	bush for gear lock detent		1							
33	905 303 243 00	bush for gear lock detent		1							
34	914 301 307 00	bolt		1							
35	900 031 001 02	washer 8,4		2							
36	905 303 136 00	bolt		1							

Model	Year	MG	SG	Illustration	Restrictions	Update	12:04	21.08.2006	PORSCHE	PET	PORSCHE
911	73	3	07	307-15		203					

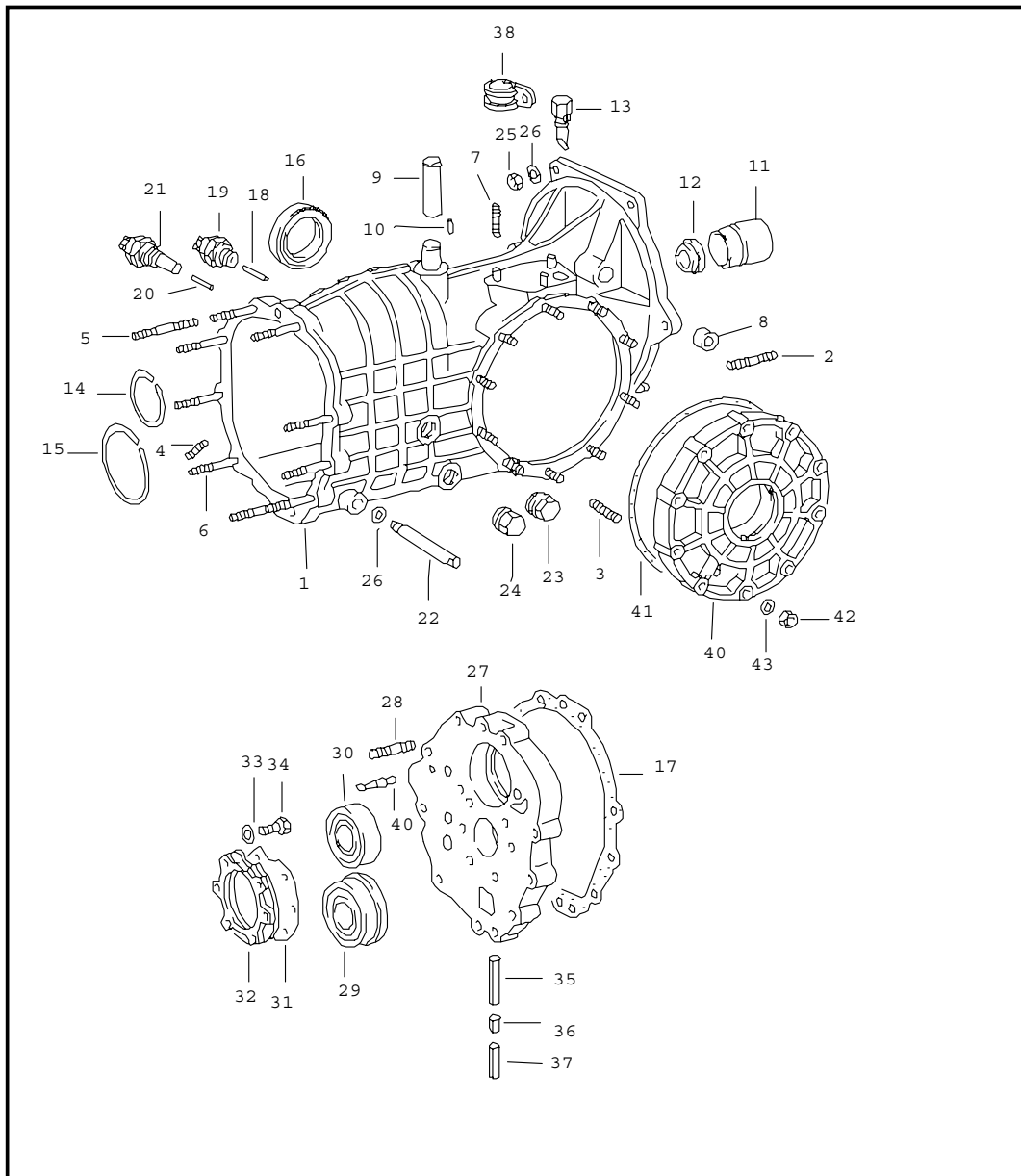


Pos	Part Number	Name	Remarks	Qty	Model
		transmission cover transmission suspension sportomatic TYP 905/21	72-		911 T-V
1	905 301 031 20	transmission cover complete		1	
2	905 301 392 02	gasket for transmission cover front		1	
3	905 302 255 00	bolt for reverse idler gear		1	
4	900 095 019 01	tensioning sleeve 5 X 30		1	
5	901 318 244 01	bearing sleeve		1	
6	905 302 292 00	thrust washer		1	
7	* 999 113 185 40	shaft seal B 15 X 24 X 7		1	
8	901 318 272 03	hexagon-head bolt		1	
9	900 031 001 02	washer 8,4		1	
10	999 504 070 00	threaded insert heli-coil		1	
11	900 061 057 01	stud BM 8 X 15		4	
12	901 318 273 01	stop pin for reverse gear		1	
13	905 318 333 10	stub shaft for speedometer drive		1	
14	* 999 701 084 50	o-ring 25,3 X 2,4		1	
15	901 318 243 12	guide bush		1	
16	* 999 113 036 50	radial sealing ring BA 10 X 8 X 6		1	
17	* 914 318 261 01	sealing washer		1	
18	911 318 029 00	v-drive		1	

Model	Year	MG	SG	Illustration	Restrictions	Update	12:04	21.08.2006	PORSCHE	PET	PORSCHE
911	73	3	07	307-15		203					

Pos	Part Number	Name	Remarks	Qty	Model	Pos	Part Number	Name	Remarks	Qty	Model
19	905 303 236 00	washer		1							
20	905 303 237 00	spring for parking lock		1							
21	N 025 667 2	ball for parking lock 9 MM		1							
22	900 108 010 00	ball for parking lock 7 MM		1							
23	N 013 849 2	sealing ring A 14 X 18 CU		1							
24	905 303 238 00	screw plug		1							
25	905 305 031 01	transmission carrier		1							
26	901 305 311 00	seat		4							
27	999 090 101 02	mid-grip nut		4							
28	900 031 001 02	washer 8,4		4							
29	900 027 017 02	lock ring B 12		2							
30	901 305 317 00	hexagon-head bolt		2							
31	901 375 311 00	plate		2							
32	999 611 918 20	ground strap		1							
33	900 076 030 02	hexagon nut M 8		1							
34	N 012 132 2	shake-proof washer A 8		1							
35	900 025 025 02	washer 8,4		2							
36	999 151 022 02	washer 20 X 8,4 X 2		2							
37	N 012 241 1	spring washer B 8 X 15		X							
38	900 076 025 02	hexagon nut M 8		X							
- - - E N D - - -											

Model	Year	MG	SG	Illustration	Restrictions	Update	12:04	21.08.2006	PORSCHE	PET	PORSCHE
911	73	3	07	307-20		203					



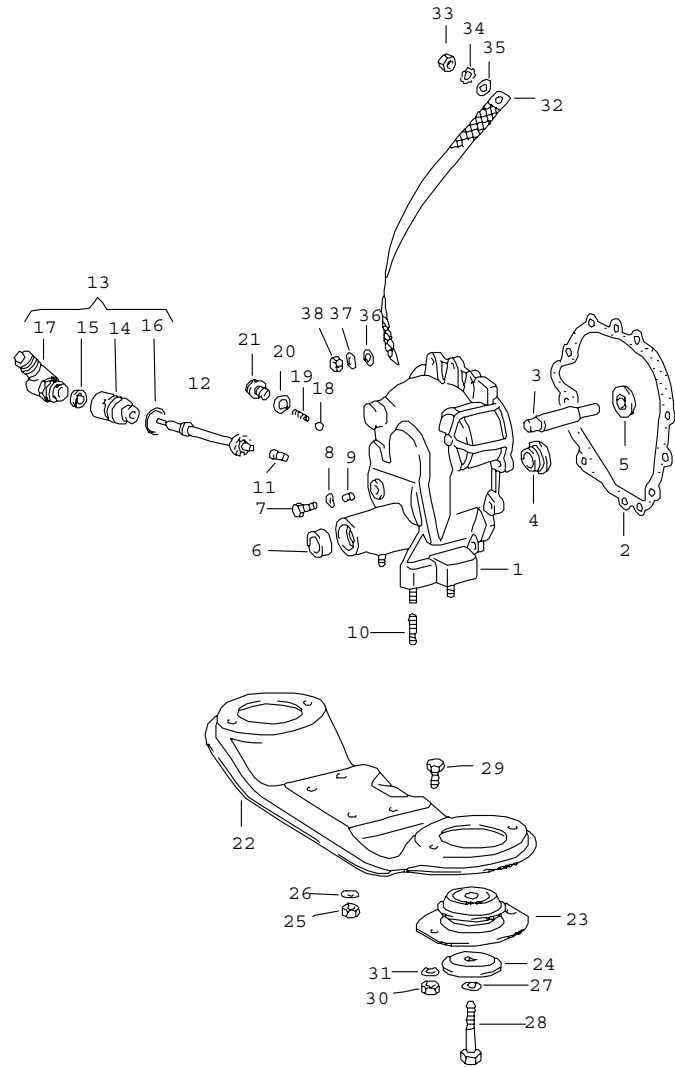
Pos	Part Number	Name	Remarks	Qty	Model
		transmission case sportomatic TYP 925	72-		911 T-E/E/S CARRERA 2.7 911 T-K
1	925 301 010 10	transmission case complete with studs		1	
2	900 061 118 02	stud BM 10 X 28		2	
3	999 062 008 02	stud BM 8 X 25		10	
4	900 061 057 02	stud BM 8 X 15		2	
5	900 061 070 02	stud BM 8 X 55		8	
6	900 061 050 02	stud BM 8 X 60		1	
7	900 061 004 02	stud BM 8 X 12		3	
8	905 116 727 00	bush for clutch lever shaft		2	
9	905 116 707 01	pin		1	
10	900 309 017 00	spiral clamping pin 5 X 12		1	
11	905 116 813 01	guide tube		1	
12	* 999 113 286 40	shaft seal		1	
13	904 301 071 00	bleeder		1	
14	999 042 301 01	snap ring SB 52		3	
15	999 041 305 01	snap ring SB 79		1	
16	* 999 113 183 40	radial shaft seal 45 X 68 X 10		2	
17	* 925 301 191 00	gasket for transmission case 0,10 MM		X	

Model	Year	MG	SG	Illustration	Restrictions	Update	12:04	21.08.2006	PORSCHE	PET	PORSCHE
911	73	3	07	307-20		203					

Pos	Part Number	Name	Remarks	Qty	Model	Pos	Part Number	Name	Remarks	Qty	Model
(17)	* 925 301 191 01	gasket for transmission case 0,15 MM		X		35	901 303 241 01	bush for gear lock detent		1	
(17)	* 925 301 191 02	gasket for transmission case 0,20 MM		X		36	905 303 242 00	bush for gear lock detent		1	
18	905 303 245 02	cam follower for switch		1		37	905 303 243 00	bush for gear lock detent		1	
19	905 613 051 02	back-up light switch		1		38	N 020 607 1	clamp		1	
20	914 303 246 10	cam follower for bridging switch		1		39	905 303 136 00	bolt		1	
21	905 613 101 02	bridging switch		1		40	925 301 311 01	transmission cover lateral		1	
22	914 301 307 00	bolt for reverse lever		1		41	* 999 701 376 40	o-ring 170 X 3,5		1	
23	999 064 019 02	screw plug		1		42	999 090 101 02	mid-grip nut		X	
24	999 064 020 02	screw plug with magnet		1		43	900 031 001 02	washer 8,4		X	
25	999 090 101 02	mid-grip nut		4				- - - E N D - - -			
26	900 031 001 02	washer 8,4		5							
27	925 301 221 00	intermediate plate		1							
28	900 012 027 00	straight pin 10 M 6 X 40		2							
29	999 052 016 00	four-point bearing		1							
30	900 052 096 00	deep-groove ball bearing 6306		1							
31	925 301 255 00	plate		1							
32	925 301 035 00	tensioning plate		1							
33	900 025 007 02	washer 8,4		6							
34	900 075 083 02	hexagon-head bolt M 8 X 35		4							

Model	Year	MG	SG	Illustration	Restrictions	Update	12:04	21.08.2006	PORSCHE	PET	PORSCHE
911	73	3	07	307-25		203					

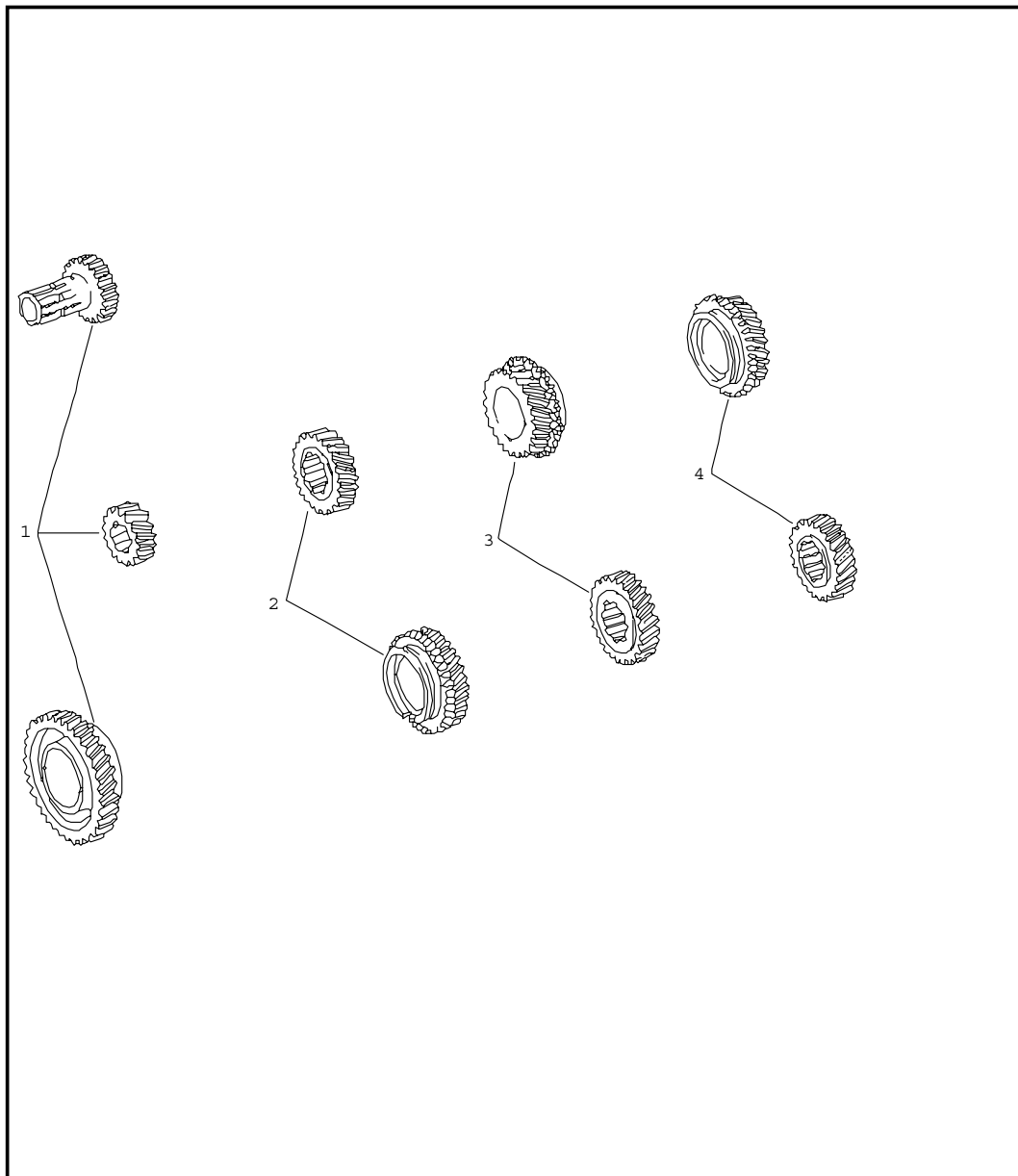
Pos	Part Number	Name	Remarks	Qty	Model
		transmission cover transmission suspension sportomatic TYP 925	72-		911 T-E/E/S CARRERA 2.7 911T-K
1	925 301 031 02	transmission cover front		1	
2	* 925 301 392 00	gasket		1	
3	925 302 255 00	bolt for reverse idler gear		1	
4	925 302 292 00	thrust washer		1	
5	925 302 291 00	thrust washer		1	
6	* 999 113 185 40	shaft seal A 15 X 24 X 7		1	
7	901 318 272 03	hexagon-head bolt		1	
8	900 031 001 02	washer 8,4		1	
9	999 504 070 00	threaded insert heli-coil M 8 X 10		1	
10	999 062 006 02	stud BM 8 X 20		4	
11	915 318 339 00	bearing sleeve		1	
12	925 318 031 05	shaft		1	
13	925 318 045 00	speedometer drive complete		1	
14	915 318 341 20	guide bush		1	
15	* 999 113 175 40	shaft seal 6 X 15 X 6		1	
16	* 999 701 084 50	o-ring 25,3 X 2,4		1	
17	925 318 029 01	v-drive		1	
18	N 025 667 2	ball for parking lock 9 MM		1	
19	905 303 237 00	spring for parking lock		1	



Model	Year	MG	SG	Illustration	Restrictions	Update	12:04	21.08.2006	PORSCHE	PET	PORSCHE
911	73	3	07	307-25		203					

Pos	Part Number	Name	Remarks	Qty	Model	Pos	Part Number	Name	Remarks	Qty	Model
20	* 900 123 007 30	sealing ring A 14 X 18 AL		1							
21	925 303 238 00	screw plug		1							
22	911 375 033 01	transmission carrier		1							
23	911 375 043 00	bearing		2							
24	901 305 311 00	seat		2							
25	999 090 101 02	mid-grip nut		4							
26	900 031 001 02	washer 8,4		4							
27	900 027 017 02	lock ring B 12		2							
28	901 305 317 00	hexagon-head bolt		2							
29	900 075 087 02	hexagon-head bolt M 8 X 16		4							
30	900 076 025 02	hexagon nut M 8		4							
31	900 027 015 02	lock ring B 8		4							
32	999 611 918 20	ground strap		1							
33	900 076 030 02	hexagon nut M 8		1							
34	N 012 132 2	shake-proof washer A 8,4		1							
35	900 025 025 02	washer 8,4		1							
36	999 151 022 02	washer 20 X 8,4 X 2		2							
37	900 031 001 02	washer 8,4		X							
38	999 090 101 02	mid-grip nut		X							
		- - - E N D - - -									

Model	Year	MG	SG	Illustration	Restrictions	Update	12:04	21.08.2006	PORSCHE	PET	PORSCHE
911	73	3	08	308-00		203					

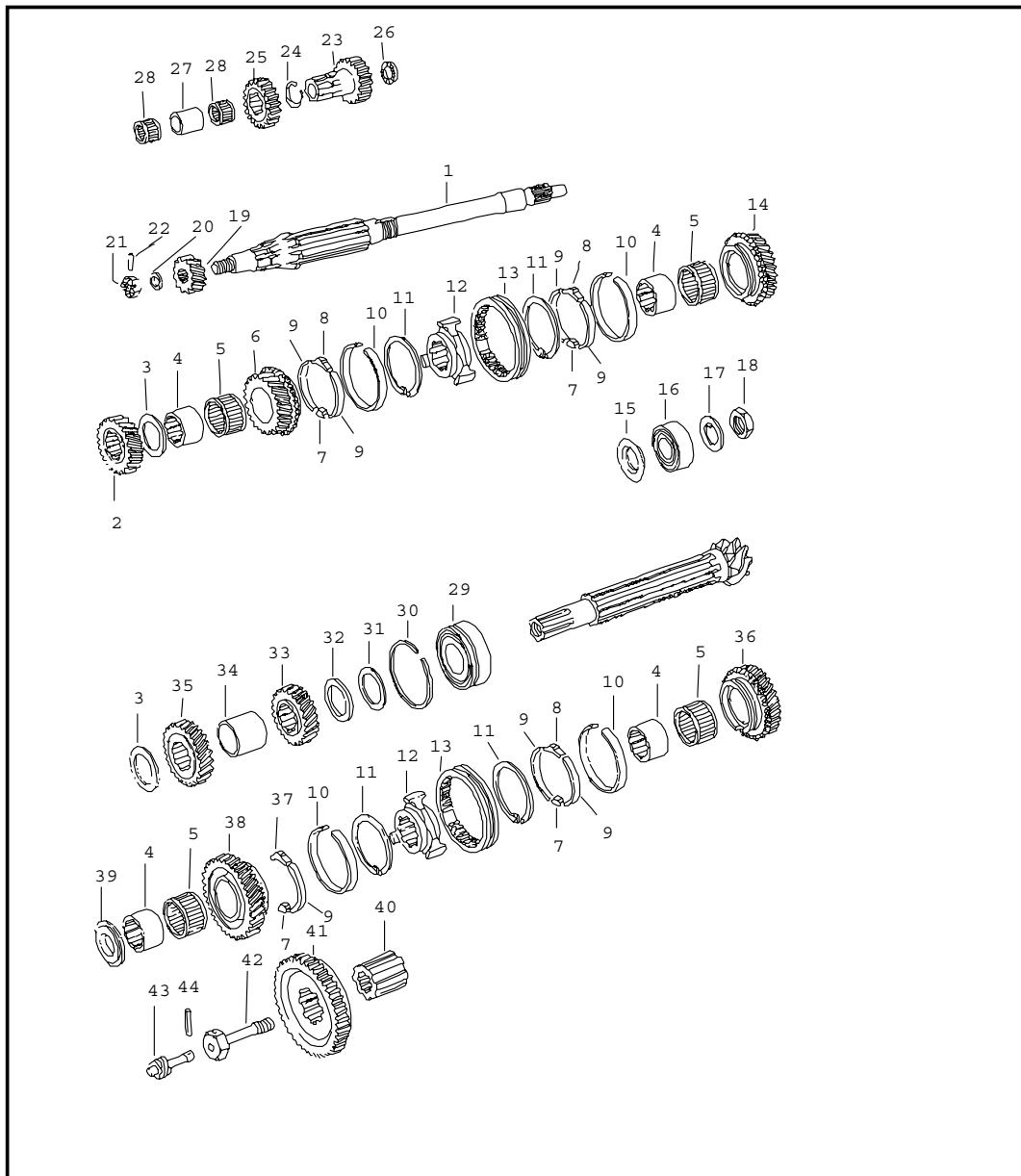


Pos	Part Number	Name	Remarks	Qty	Model
		gear sets for 4-speed transmission sportomatic	-71 72-		911 T/E/S 911 T-V
		gear sets for TYP 905/13	-70		911 T/E/S
1	905 302 906 10	gear set 1st gear Z = 15:36 (C) wheel 2 for reverse gear fixed gear wheel loose gear wheel		1	
2	905 302 907 00	gear wheel pair 2nd gear Z = 19:31 (HB) fixed gear wheel loose gear wheel		1	
3	901 302 910 10	gear wheel pair 3rd speed Z = 23:28 (O) fixed gear wheel loose gear wheel		1	
4	904 302 930 10	gear wheel pair 4th speed Z = 27:25 (V) fixed gear wheel loose gear wheel		1	
		gear sets for TYP 905.300/20 + TYP 905.300/21	-71 72-		911 T/E/S 911 T-V
1	905 302 906 10	gear set 1st gear Z = 15:36 (C) wheel 2 for reverse gear fixed gear wheel loose gear wheel		1	
2	901 302 908 10	gear wheel pair 2nd gear Z = 20:31 (I) fixed gear wheel loose gear wheel		1	

Model	Year	MG	SG	Illustration	Restrictions	Update	12:04	21.08.2006	PORSCHE	PET	PORSCHE
911	73	3	08	308-00		203					

Pos	Part Number	Name	Remarks	Qty	Model	Pos	Part Number	Name	Remarks	Qty	Model
3	904 302 920 10	gear wheel pair 3rd speed Z = 24:27 (Q) fixed gear wheel loose gear wheel		1							
4	904 302 924 10	gear wheel pair 4th speed Z = 28:24 (X) fixed gear wheel loose gear wheel		1							
		- - - E N D - - -									

Model	Year	MG	SG	Illustration	Restrictions	Update	12:05	21.08.2006	PORSCHE	PET	PORSCHE
911	73	3	08	308-05		203					

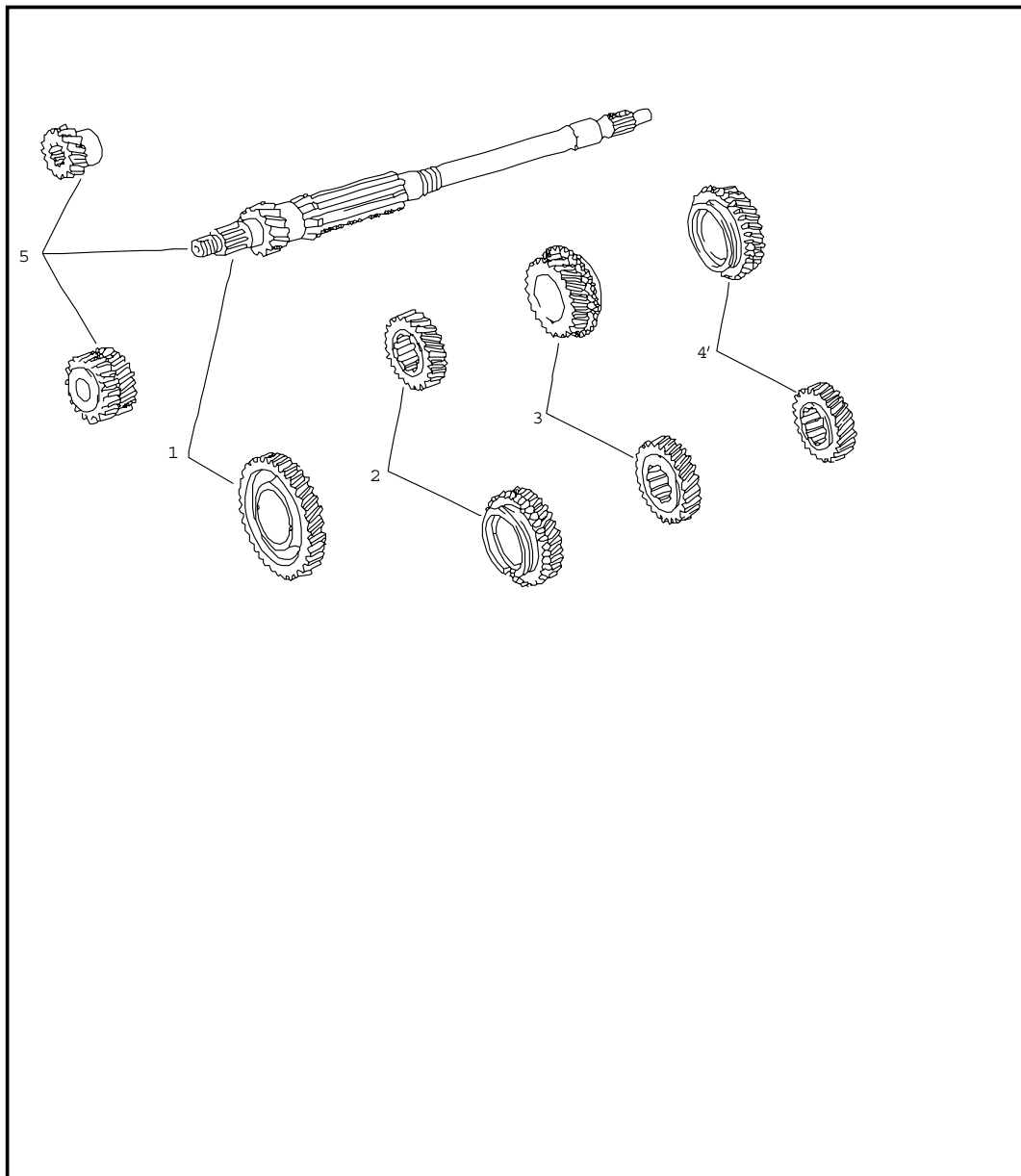


Pos	Part Number	Name	Remarks	Qty	Model
		gears and shafts sportomatic	-70 -71 72-		911 S 911 T/E 911 T-V
		gear sets see group 3/08/00			
1	905 302 101 00	drive shaft		1	
2	* --- --- --- --	fixed gear wheel 2nd gear		1	
3	901 302 294 01	thrust washer		2	
4	901 302 261 01	bush for needle-roller bearing 1.- 4th speed		4	
5	999 201 104 00	needle cage 1.- 4th speed		4	
(5)	999 201 470 00	needle cage 1.- 4th speed	72-	4	911 T VERGASER
6	* --- --- --- --	loose gear wheel 3rd speed		1	
7	911 302 317 01	stop 1. - 4th speed		4	
8	911 302 315 00	stone 2. - 4th speed		3	
9	911 302 316 00	brake band 1. - 4th speed		7	
10	925 302 301 02	synchroniser ring 1. - 4th speed		4	
11	911 302 311 01	circlip 1. - 4th speed		4	
(11)	911 302 311 01	circlip 1. - 4th speed	72-	4	911 T VERGASER

Model	Year	MG	SG	Illustration	Restrictions	Update	12:05	21.08.2006	PORSCHE	PET	PORSCHE
911	73	3	08	308-05		203					

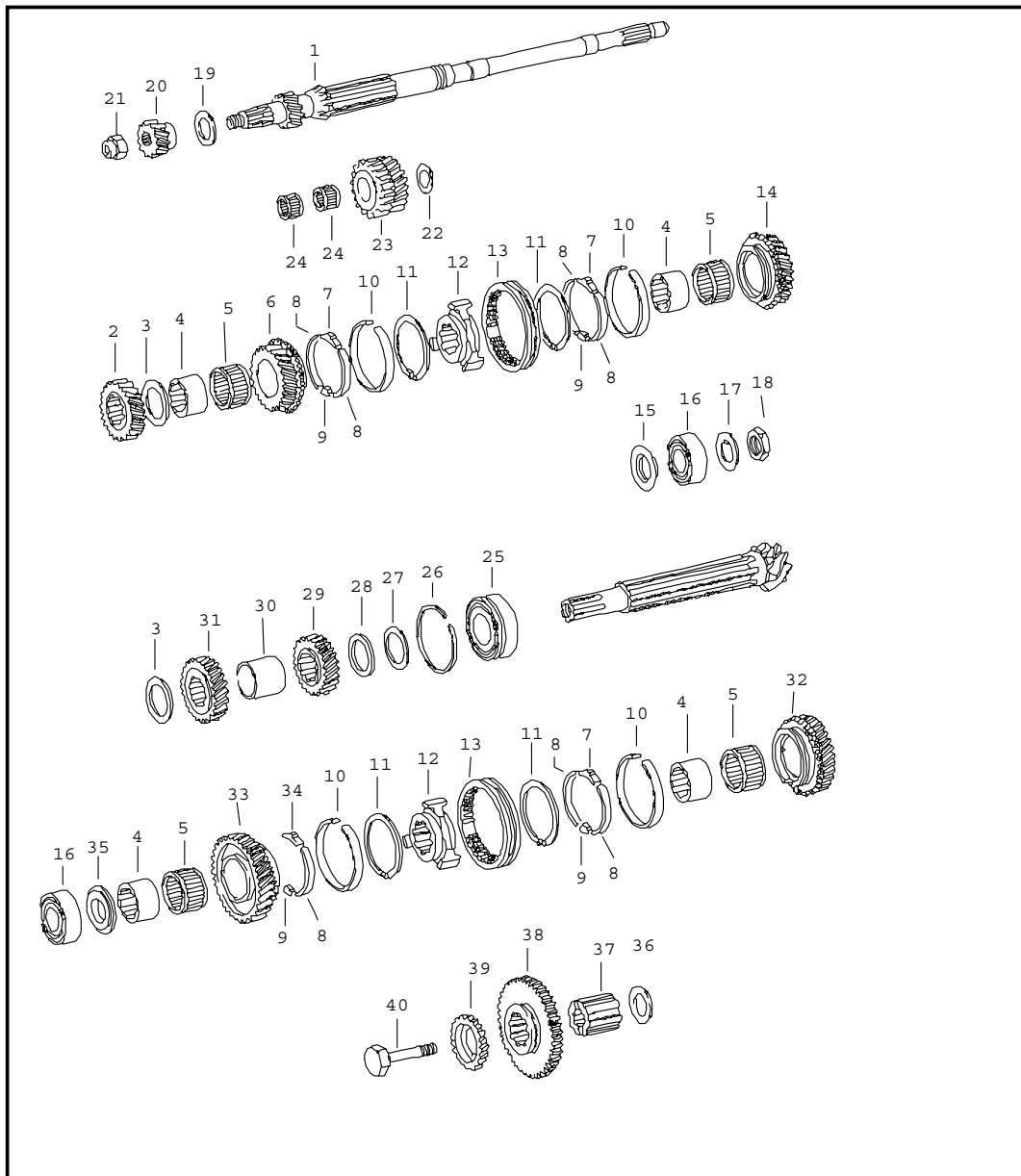
Pos	Part Number	Name	Remarks	Qty	Model	Pos	Part Number	Name	Remarks	Qty	Model
12	901 302 402 02	guide sleeve 2. - 4th speed		2		(31)	901 302 297 11	adjusting shim 0,30 MM		X	
13	911 302 411 10	shift sleeve 1. - 4th speed		2		(31)	901 302 297 21	adjusting shim 0,40 MM		X	
14	* --- --- --- --	loose gear wheel 4th speed		1		32	901 302 298 01	spacer		1	
15	901 302 268 01	spacer		1		33	* --- --- --- --	fixed gear wheel 4th speed		1	
16	999 110 008 00	cylindrical-roller bearing		1		34	901 302 265 01	spacer sleeve		1	
17	999 038 001 00	tab washer		1		35	* --- --- --- --	fixed gear wheel 3rd speed		1	
18	999 183 001 00	hexagon nut M 24 X 1,5		1		36	* --- --- --- --	loose gear wheel 2nd gear		1	
19	* --- --- --- --	fixed gear wheel 1st gear		1		37	901 302 318 02	stone for 1st gear		1	
20	999 031 067 00	washer		1		38	* --- --- --- --	loose gear wheel 1st gear		1	
21	999 079 011 02	castle nut		1		39	901 302 269 01	thrust washer		1	
22	900 309 004 00	roll pin 3 X 18		1		40	905 302 257 00	sleeve		1	
23	* --- --- --- --	gear wheel II for reverse gear		1		41	905 302 224 02	sliding gear for reverse gear		1	
24	999 041 309 01	snap ring		1		42	901 302 271 01	elastic bolt		1	
25	905 302 223 00	gear wheel III for reverse gear		1		43	905 318 331 10	shaft		1	
26	999 202 003 00	needle-roller bearing		1		44	900 197 002 00	tensioning sleeve 4 X 28		1	
27	905 302 265 00	spacer sleeve for reverse idler gear		1				- - - E N D - - -			
28	999 201 106 00	needle cage INA K 14 X 18 X 15		2							
29	999 110 007 00	cylindrical-roller bearing		1							
30	900 111 002 00	snap ring SP 72		1							
31	901 302 297 01	adjusting shim 0,25 MM		X							

Model	Year	MG	SG	Illustration	Restrictions	Update	12:05	21.08.2006	PORSCHE	PET	PORSCHE
911	73	3	08	308-10		203					



Pos	Part Number	Name	Remarks	Qty	Model
		gear sets 4-speed transmission sportomatic	72-		911 T-E/E/S CARRERA 2.7 911 T-K
		gear sets 925.300/00 925.300/01			
1	925 302 901 00	gear set 1st gear Z = 15:36 (C) drive shaft loose gear wheel		1	
2	901 302 908 10	gear wheel pair 2nd gear Z = 20:31 (I) loose gear wheel fixed gear wheel		1	
3	904 302 920 10	gear wheel pair 3rd speed Z = 24:27 (Q) loose gear wheel fixed gear wheel		1	
4	904 302 924 10	gear wheel pair 4th speed Z = 28:24 (X) loose gear wheel fixed gear wheel		1	
5	925 302 912 00	gear set reverse gear gear wheel I reverse idler gear		1	
		- - - E N D - - -			

Model	Year	MG	SG	Illustration	Restrictions	Update	12:05	21.08.2006	PORSCHE	PET	PORSCHE
911	73	3	08	308-15		203					

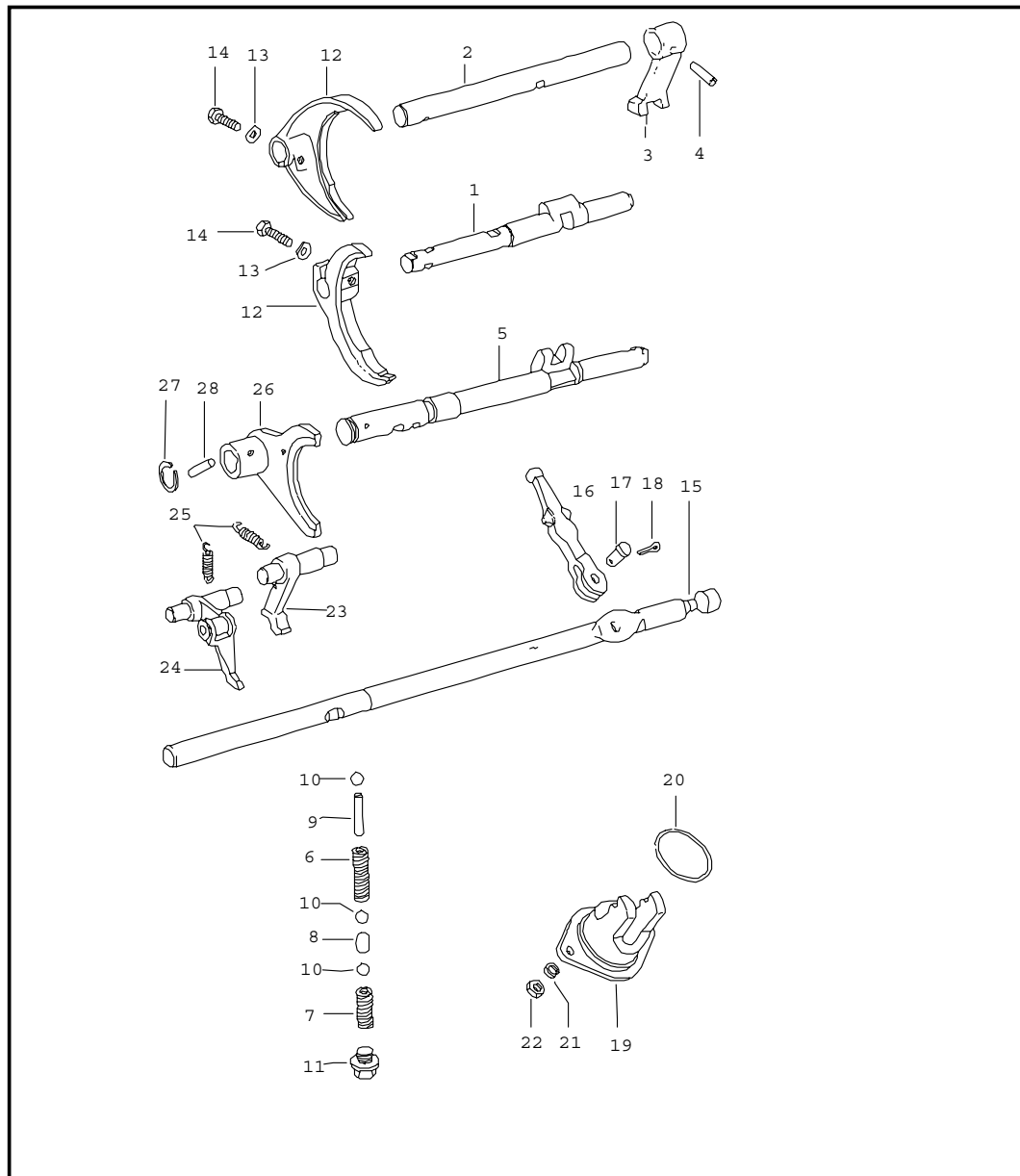


Pos	Part Number	Name	Remarks	Qty	Model
		gears and shafts sportomatic	72-		
		gear sets see group 3/08/10			
1	* --- --- --- --	drive shaft		1	
2	* --- --- --- --	fixed gear wheel 2nd gear		1	
3	901 302 294 01	thrust washer		2	
4	901 302 261 01	bush		4	
5	999 201 470 00	needle cage		4	
6	* --- --- --- --	loose gear wheel 3rd speed		1	
7	911 302 315 00	stone 2. - 4th speed		3	
8	911 302 316 00	brake band		7	
9	911 302 317 01	stop		4	
10	925 302 301 02	synchroniser ring		4	
11	911 302 311 01	circlip		4	
12	901 302 402 02	guide sleeve		2	
13	911 302 411 10	shift sleeve		2	
14	* --- --- --- --	loose gear wheel 4th speed		1	
15	925 302 270 00	thrust washer		1	
16	999 110 008 00	cylindrical-roller bearing		2	
17	999 038 001 00	tab washer		1	
18	999 183 001 00	hexagon nut		4	
19	925 302 259 00	spacer ring		1	
20	* --- --- --- --	gear wheel I for reverse gear		1	
21	925 302 283 00	collar nut		1	
22	999 202 001 00	axial needle bearing cage		1	

Model	Year	MG	SG	Illustration	Restrictions	Update	12:05	21.08.2006	PORSCHE	PET	PORSCHE
911	73	3	08	308-15		203					

Pos	Part Number	Name	Remarks	Qty	Model	Pos	Part Number	Name	Remarks	Qty	Model
23	* --- --- --- --	reverse idler gear		1							
24	999 201 106 00	needle cage		2							
25	999 110 007 00	cylindrical-roller bearing		1							
26	900 111 002 00	snap ring SP 72		1							
27	901 302 297 01	adjusting shim 0,25 MM		X							
(27)	901 302 297 11	adjusting shim 0,30 MM		X							
(27)	901 302 297 21	adjusting shim 0,40 MM		X							
28	925 302 299 00	spacer ring		1							
29	* --- --- --- --	fixed gear wheel 4th speed		1							
30	901 302 265 01	spacer sleeve		1							
31	* --- --- --- --	fixed gear wheel 3rd speed		1							
32	* --- --- --- --	loose gear wheel 2nd gear		1							
33	* --- --- --- --	loose gear wheel 1st gear		1							
34	901 302 318 02	stone 1st gear		1							
35	901 302 268 01	spacer		1							
36	925 302 281 00	spacer		1							
37	925 302 257 00	sleeve		1							
38	925 302 224 00	sliding gear for reverse gear		1							
39	925 318 331 01	drive wheel for speedometer		1							
40	925 302 271 00	elastic bolt		1							
		- - - E N D - - -									

Model	Year	MG	SG	Illustration	Restrictions	Update	12:05	21.08.2006	PORSCHE	PET	PORSCHE
911	73	3	09	309-00		203					

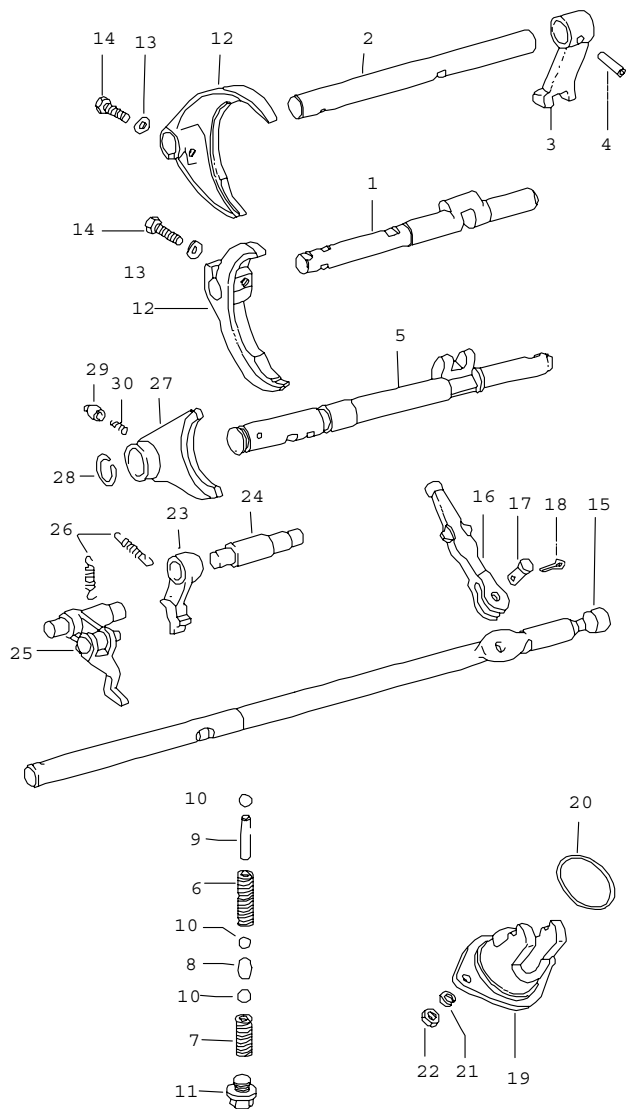


Pos	Part Number	Name	Remarks	Qty	Model
		shift rods forks TYP 905 sportomatic	-71 72-		911 T/E 911 T-V
1	901 303 101 01	gear shift rod 1st/2nd gear		1	
2	901 303 103 01	gear shift rod 3rd, 4th speed		1	
3	901 303 161 01	contact		1	
4	900 309 003 00	roll pin 5 X 24		1	
5	905 303 141 03	gear shift rod for reverse gear		1	
6	901 303 232 01	compression spring for gear lock detent 1. - 4th speed		1	
7	905 303 232 01	compression spring for gear lock detent reverse gear		1	
8	905 303 211 00	detent for gear lock detent		1	
9	901 303 271 01	pin for gear lock detent		1	
10	N 025 667 2	ball 9 MM		3	
11	999 065 001 02	screw plug		1	
12	901 303 111 01	shift fork for forward speed		2	
13	N 012 241 1	spring washer B 8 X 15		2	
14	900 075 083 02	hexagon-head bolt M 8 X 25		2	

Model	Year	MG	SG	Illustration	Restrictions	Update	12:05	21.08.2006	PORSCHE	PET	PORSCHE
911	73	3	09	309-00		203					

Pos	Part Number	Name	Remarks	Qty	Model	Pos	Part Number	Name	Remarks	Qty	Model
15	905 303 132 20	gear shift rod G 700 0001 >> 700 9999 G 730 0001 >> 710 9999 G 770 0001 >> 770 3000 G 730 9101 >> 730 9200 G 730 9201 >> 730 9300 G 730 9301 >> 730 9400 G 730 9401 >> 730 9500 G 730 9501 >> 730 9600 G 720 0001 >> 720 9999	-70	1	911.300/00 911.300/01 911.300/01 911.300/80 911.300/81 911.300/82 911.300/83 911.300/84 905.300/20						
16	901 303 133 01	shift lever		1							
17	901 303 171 01	bolt		1							
18	N 012 512 1	cotter pin 2 X 12		1							
19	911 303 129 00	fork		1							
20	* 999 701 359 40	o-ring		1							
(20)	* 901 303 191 01	gasket for fork old version		1							
21	900 027 015 02	lock ring B 8		2							
22	900 076 025 02	hexagon nut M 8		2							
23	905 303 013 00	stop for gear lock detent		1							
24	905 303 015 00	lever for parking lock		1							
25	905 303 235 00	tension spring		2							
26	905 303 151 04	shift fork for reverse gear		1							
27	999 041 301 01	snap ring SW 18		1							
28	905 303 149 00	bolt		1							
		- - - E N D - - -									

Model	Year	MG	SG	Illustration	Restrictions	Update	12:06	21.08.2006	PORSCHE	PET	PORSCHE
911	73	3	09	309-05		203					



Pos	Part Number	Name	Remarks	Qty	Model
		shift rods forks TYP 925 sportomatic	72-		911 T-E/E/S CARRERA 2.7
1	901 303 101 01	gear shift rod 1st/2nd gear		1	
2	901 303 103 01	gear shift rod 3rd, 4th speed		1	
3	901 303 161 01	contact		1	
4	900 309 003 00	roll pin 5 X 24		1	
5	925 303 141 01	gear shift rod for reverse gear		1	
6	901 303 232 01	compression spring for gear lock detent 1. - 4th speed		1	
7	905 303 232 01	compression spring for gear lock detent reverse gear		1	
8	905 303 211 00	detent for gear lock detent		1	
9	901 303 271 01	pin for gear lock detent		1	
10	N 025 667 2	ball 9 MM		3	
11	999 065 004 02	screw plug		1	
12	901 303 111 01	shift fork for forward speed		2	
13	N 012 241 1	spring washer B 8 X 15		2	
14	900 075 083 02	hexagon-head bolt M 8 X 25		2	
15	905 303 132 20	gear shift rod		1	
16	901 303 133 01	shift lever		1	

Model	Year	MG	SG	Illustration	Restrictions	Update	12:06	21.08.2006	PORSCHE	PET	PORSCHE
911	73	3	09	309-05		203					

Pos	Part Number	Name	Remarks	Qty	Model	Pos	Part Number	Name	Remarks	Qty	Model
17	901 303 171 01	bolt		1							
18	N 012 512 1	cotter pin 2 X 12		1							
19	911 303 129 00	fork		1							
20	* 999 701 359 40	o-ring OR 40 X 1,5		1							
21	900 027 015 02	lock ring B 8		2							
22	900 076 025 02	hexagon nut M 8		2							
23	925 303 137 01	stop for gear lock detent		1							
24	925 303 138 00	shaft		1							
25	925 303 015 02	lever for parking lock		1							
26	905 303 235 00	tension spring		2							
27	925 303 151 00	shift fork for reverse gear		1							
28	999 041 301 01	snap ring SW 18		1							
29	925 303 149 01	locking bolt		1							
30	925 303 148 01	spring		1							
		- - - E N D - - -									

Model	Year	MG	SG	Illustration	Restrictions	Update	12:06	21.08.2006
911	73	3	98	398-00		203		

Pos	Part Number	Name	Remarks	Qty	Model
>>	> 901 300 010 06	replacement transmission repair kits set of seals transmission complete 901/06 1st gear Z = 11:34 2nd gear Z = 19:31 3rd speed Z = 25:26 4th speed Z = 29:23 with differential normal	-70	1	911 T/E 911 S:M
>>	> 901 300 012 07	transmission complete 901/07 not available replacement transmission 901.300/13 901 300 012 13	-70	1	911 E/S 911 T:M
>>	> 901 300 012 75	transmission complete 901/75 1st gear Z = 14:37 2nd gear Z = 18:32 3rd speed Z = 22:29 4th speed Z = 26:26 5th speed Z = 28:23 with differential normal	-70	1	911 T/S/E:M
<<	901 300 012 76	transmission complete 901/76 1st gear Z = 12:34 2nd gear Z = 17:34 3rd speed Z = 20:31 4th speed Z = 22:29 5th speed Z = 23:28 with differential normal	-70	1	911 T/E/S:M

Model	Year	MG	SG	Illustration	Restrictions	Update	12:06	21.08.2006
911	73	3	98	398-00		203		

Pos	Part Number	Name	Remarks	Qty	Model
>>	> 901 300 012 77	transmission complete 901/77 1st gear Z = 12:34 2nd gear Z = 18:34 3rd speed Z = 21:31 4th speed Z = 23:28 5th speed Z = 25:26 with differential normal	-70	1	911 T/E/S:M
>>	> 901 300 012 78	transmission complete 901/78 1st gear Z = 15:36 2nd gear Z = 20:32 3rd speed Z = 23:28 4th speed Z = 26:26 5th speed Z = 28:23 with differential normal	-70	1	911 T/E/S:M
>>	> 901 300 012 79	transmission complete 901/79 1st gear Z = 14:37 2nd gear Z = 20:32 3rd speed Z = 22:29 4th speed Z = 25:27 5th speed Z = 27:25 with differential normal	-70	1	911 T/E/S:M
>>	> 901 300 901 00	set of seals for transmission with chilled casting comprising:	-70	1	911 T/E/S
-	999 113 058 50	radial sealing ring 45 X 65 X 10		2	

PORSCHÉ

PET

PORSCHÉ

Model	Year	MG	SG	Illustration	Restrictions	Update	12:06	21.08.2006
911	73	3	98	398-00		203		

Pos	Part Number	Name	Remarks	Qty	Model
-	900 112 001 50	radial sealing ring B 15 X 24 X 7		1	
-	999 111 001 00	shaft seal 15 X 24 X 7		1	
-	901 301 191 01	gasket for transmission case 0,1 MM		2	
-	901 301 191 02	gasket for transmission case 0,15 MM		2	
-	901 301 191 03	gasket for transmission case 0,2 MM		2	
-	999 113 048 50	sealing frame		1	
-	900 123 009 30	sealing ring A 18 X 24 AL		2	
-	999 113 036 50	radial sealing ring		1	
-	999 701 084 50	o-ring 25,3 - 2,4		1	
-	901 301 392 01	gasket for transmission cover		1	
-	901 301 391 01	gasket for transmission cover lateral		1	
-	900 123 011 30	sealing ring A 22 X 27 AL		1	
-	901 303 191 01	gasket		1	
-	901 116 773 01	sealing washer		1	

Model	Year	MG	SG	Illustration	Restrictions	Update	12:06	21.08.2006
911	73	3	98	398-00		203		

Pos	Part Number	Name	Remarks	Qty	Model
>>	> 901 300 012 80	transmission complete 901.300/80 1st gear Z = 14:37 2nd gear Z = 18:32 3rd speed Z = 22:29 4th speed Z = 26:26 5th speed Z = 28:23 with differential normal	-70	1	911 T/E/S
>>	> 901 300 012 81	transmission complete 901.300/81 1st gear Z = 12:34 2nd gear Z = 17:34 3rd speed Z = 20:31 4th speed Z = 22:29 5th speed Z = 23:28 with differential normal	-70	1	911 T/E/S
>>	> 901 300 012 82	transmission complete 901.300/82 1st gear Z = 12:34 2nd gear Z = 18:34 3rd speed Z = 21:31 4th speed Z = 23:28 5th speed Z = 25:26 with differential normal	-70	1	911 T/E/S

Model	Year	MG	SG	Illustration	Restrictions	Update	12:06	21.08.2006
911	73	3	98	398-00		203		

Pos	Part Number	Name	Remarks	Qty	Model
>>	> 901 300 012 83	transmission complete 901.300/83 1st gear Z = 15:36 2nd gear Z = 20:32 3rd speed Z = 23:28 4th speed Z = 26:26 5th speed Z = 28:23 with differential normal	-70	1	911 T/E/S
>>	> 901 300 012 84	transmission complete 901.300/84 1st gear Z = 14:37 2nd gear Z = 20:32 3rd speed Z = 22:29 4th speed Z = 25:27 5th speed Z = 27:25 with differential normal	-70	1	911 T/E/S
>>	> 911 300 010 00	transmission complete 911.300/00 1st gear Z = 11:34 2nd gear Z = 19:31 3rd speed Z = 25:26 4th speed Z = 29:22 with differential normal	-71	1	911 T

PORSCHÉ

PET

PORSCHÉ

Model	Year	MG	SG	Illustration	Restrictions	Update	12:06	21.08.2006
911	73	3	98	398-00		203		

Pos	Part Number	Name	Remarks	Qty	Model
>>	> 911 300 012 01	transmission complete 911.300/01 1st gear Z = 11:34 2nd gear Z = 18:32 3rd speed Z = 23:28 4th speed Z = 27:25 5th speed Z = 29:22 with differential normal	-71	1	911 E/S 911 T:M
>>	> 911 300 012 80	transmission complete 911.300/80 1st gear Z = 14:37 2nd gear Z = 18:32 3rd speed Z = 22:29 4th speed Z = 26:26 5th speed Z = 28:23 with differential normal	-71	1	911 S COUPE
>>	> 911 300 012 81	transmission complete 911.300/81 1st gear Z = 12:34 2nd gear Z = 17:34 3rd speed Z = 20:31 4th speed Z = 22:29 5th speed Z = 23:28 with differential normal	-71	1	911 S COUPE

PORSCHE

PET

PORSCHE

Model	Year	MG	SG	Illustration	Restrictions	Update	12:06	21.08.2006
911	73	3	98	398-00		203		

Pos	Part Number	Name	Remarks	Qty	Model
>>	> 911 300 012 82	transmission complete 911.300/82 1st gear Z = 12:34 2nd gear Z = 18:34 3rd speed Z = 21:31 4th speed Z = 23:28 5th speed Z = 25:26 with differential normal	-71	1	911 S COUPE
>>	> 911 300 012 83	transmission complete 911.300/83 1st gear Z = 15:36 2nd gear Z = 20:32 3rd speed Z = 23:28 4th speed Z = 26:26 5th speed Z = 28:23 with differential normal	-71	1	911 S COUPE
>>	> 911 300 012 84	transmission complete 911.300/84 1st gear Z = 14:37 2nd gear Z = 20:32 3rd speed Z = 22:29 4th speed Z = 25:27 5th speed Z = 27:25 with differential normal	-71	1	911 S COUPE

Model	Year	MG	SG	Illustration	Restrictions	Update	12:06	21.08.2006
911	73	3	98	398-00		203		

Pos	Part Number	Name	Remarks	Qty	Model
>>	> 911 300 012 01	transmission complete 911.300/01 1st gear Z = 11:34 2nd gear Z = 18:32 3rd speed Z = 23:28 4th speed Z = 27:25 5th speed Z = 29:22 with differential normal	71	1	911 E/S 911 T:M
>>	> 901 300 916 00	set of seals for transmission from die casting housing comprising:	-71	1	911 T/E/S
-	999 113 185 40	shaft seal shaft seal A 15 X 24 X 7	-70 71	1	
-	901 301 191 21	gasket for transmission case 0,1 MM		1	
-	901 301 191 22	gasket for transmission case 0,15 MM		1	
-	901 301 191 23	gasket for transmission case 0,2 MM		1	
-	999 113 048 50	radial sealing ring 20 X 40 X 16		1	
-	999 113 036 50	radial sealing ring BA 10 X 18 X 6		1	
-	999 701 084 50	o-ring OR 25,3-2,4		1	
-	901 303 191 01	gasket	-70	1	
-	999 113 130 50	radial sealing ring DG-FG 45 X 68 X 10		2	
-	901 301 392 12	gasket for transmission cover		1	

Model	Year	MG	SG	Illustration	Restrictions	Update	12:06	21.08.2006
911	73	3	98	398-00		203		

Pos	Part Number	Name	Remarks	Qty	Model
-	113 301 185 A	gasket for transmission cover lateral 177 X 3,5		1	
-	901 303 191 01	gasket for fork old version	71	1	
-	999 701 359 40	o-ring OR 40 X 1,5		1	
>>	> 915 300 010 12	transmission complete ready for installation 915.300/12 1st gear Z = 11:35 2nd gear Z = 18:32 3rd speed Z = 24:27 4th speed Z = 28:23 with differential normal	72-	1	911 T-E/E/S 911 T-V 911 T-K
>>	> 915 300 010 02	transmission complete ready for installation 915.300/02 1st gear Z = 11:35 2nd gear Z = 18:33 3rd speed Z = 23:29 4th speed Z = 26:25 5th speed Z = 29:22 with differential normal		1	911 T-E/E/S 911 T-V 911 T-K

PORSCHE

PET

PORSCHE

Model	Year	MG	SG	Illustration	Restrictions	Update	12:06	21.08.2006
911	73	3	98	398-00		203		

Pos	Part Number	Name	Remarks	Qty	Model
>>	> 915 300 010 18	4-speed transmission with oil pump complete ready for installation TYP 915.300/18 1st gear Z = 11:35 2nd gear Z = 20:32 3rd speed Z = 25:26 4th speed Z = 29:22 with differential normal	72-	1	CARRERA 2.7
>>	> 915 300 010 08	5-speed transmission with oil pump complete ready for installation TYP 915.300/08 1st gear Z = 11:35 2nd gear Z = 18:33 3rd speed Z = 23:29 4th speed Z = 27:25 5th speed Z = 29:21 with differential normal	72-	1	CARRERA 2.7
>>	> 915 300 911 00	set of seals for transmission TYP 915 without oil pump	72-	1	
-	915 301 139 00	sealing ring		1	
-	999 113 183 40	radial shaft seal 45 X 68 X 10		2	
-	999 113 182 40	shaft seal 23 X 40 X 10		1	
-	915 302 381 00	shaft seal 23 X 35 X 8/11		1	
-	999 701 392 40	o-ring OR 195 X 3,5		1	

Model	Year	MG	SG	Illustration	Restrictions	Update	12:06	21.08.2006
911	73	3	98	398-00		203		

Pos	Part Number	Name	Remarks	Qty	Model
-	915 301 191 00	gasket		1	
-	900 123 066 30	sealing ring A 10 X 16 AL		2	
-	999 113 185 40	shaft seal 15 X 24 X7		1	
-	999 701 349 40	o-ring 17,5 X 2,4		1	
-	999 113 175 40	shaft seal 6 X 15 X 6		1	
-	915 301 351 00	gasket		1	
-	999 701 169 40	o-ring 14,3 X 2,4		1	
-	915 303 225 00	gasket for transmission with oil pump gaskets group 3/02/30 order		1	
>>	> 905 300 010 13	transmission with converter ready for installation 905/13 sportomatic 1st gear Z = 15:36 2nd gear Z = 19:31 3rd speed Z = 23:28 4th speed Z = 27:25	-70	1	911 T/E
>>	> 905 300 010 20	transmission complete 905.300/20 sportomatic 1st gear Z = 15:36 2nd gear Z = 20:31 3rd speed Z = 24:27 4th speed Z = 28:24 with differential normal	-71	1	911 T/E

Model	Year	MG	SG	Illustration	Restrictions	Update	12:06	21.08.2006
911	73	3	98	398-00		203		

Pos	Part Number	Name	Remarks	Qty	Model
>>	> 905 300 902 00	set of seals for sportomatic transmission comprising:	-71 72-	1	911 T/E 911 T-V
-	PCG 113 071 50	radial shaft seal 25 X 35 X 6		1	
-	PCG 201 301 00	shaft seal 12 X 18 X 3		1	
-	999 113 189 40	shaft seal 45 X 60 X 7		1	
-	900 123 019 20	sealing ring A 16 X 22 CU		1	
-	900 123 007 30	sealing ring A 14 X 18 AL		2	
-	999 113 286 40	shaft seal 22 X 35 X 8		1	
-	999 113 058 50	radial sealing ring 45 X 65 X 10		2	
-	905 301 191 00	gasket for transmission case 0,10 MM		1	
-	905 301 191 01	gasket for transmission case 0,15 MM		1	
-	905 301 191 02	gasket for transmission case 0,20 MM		1	
-	999 113 185 40	shaft seal A 15 X 24 X 7		1	
-	999 701 084 50	o-ring 25,3 X 2,4		1	
-	905 301 392 02	gasket for transmission cover front		1	
-	N 013 849 2	sealing ring A 14 X 18 CU		1	
-	999 701 286 40	o-ring 160 X 3		1	
-	999 701 359 40	o-ring 40 X 15		1	

Model	Year	MG	SG	Illustration	Restrictions	Update	12:06	21.08.2006
911	73	3	98	398-00		203		

Pos	Part Number	Name	Remarks	Qty	Model
-	905 301 391 00	for transmission with transmission cover lateral and fork old version without o-ring gaskets order also: gasket for transmission cover lateral		1	
-	901 303 191 01	gasket for fork		1	
>>	> 905 300 010 21	transmission with converter complete ready for installation 905.300/21 sportomatic 1st gear Z = 15:36 2nd gear Z = 20:31 3rd speed Z = 24:27 4th speed Z = 28:24 with differential normal	72-	1	911 T-V
>>	> 925 300 010 00	transmission with converter complete ready for installation 925.300/00 sportomatic 1st gear Z = 15:36 2nd gear Z = 20:31 3rd speed Z = 24:27 4th speed Z = 28:24 with differential normal	72-	1	911 T-E/E 911 T-K

Model	Year	MG	SG	Illustration	Restrictions	Update	12:06	21.08.2006
911	73	3	98	398-00		203		

Pos	Part Number	Name	Remarks	Qty	Model
>>	> 925 300 010 01	transmission with S- torque converter complete ready for installation 925.300/01 sportomatic 1st gear Z = 15:36 2nd gear Z = 20:31 3rd speed Z = 24:27 4th speed Z = 28:24 with differential normal	72-	1	911 S
>>	> 925 300 911 00	set of seals for transmission TYP 925 sportomatic comprising:	72-	1	911 T-E/E/S 911 T-K
-	999 113 205 40	shaft seal 26 X 37 X 7		1	
-	PCG 201 301 00	shaft seal 12 X 18 X 3		1	
-	999 701 397 40	o-ring 72 X 2,5		1	
-	N 013 804 2	sealing ring A 6 X 10 CU		8	
-	999 113 189 40	shaft seal		1	
-	900 123 060 30	sealing ring A 24 X 29 AL		1	
-	900 123 007 30	sealing ring A 14 X 18 AL		2	
-	999 113 286 40	shaft seal		1	
-	999 113 183 40	radial shaft seal 45 X 68 X10		2	
-	925 301 191 00	gasket 0,1 MM		1	
-	925 301 191 01	gasket 0,15MM		1	
-	925 301 191 02	gasket 0,2 MM		1	

PORSCHE

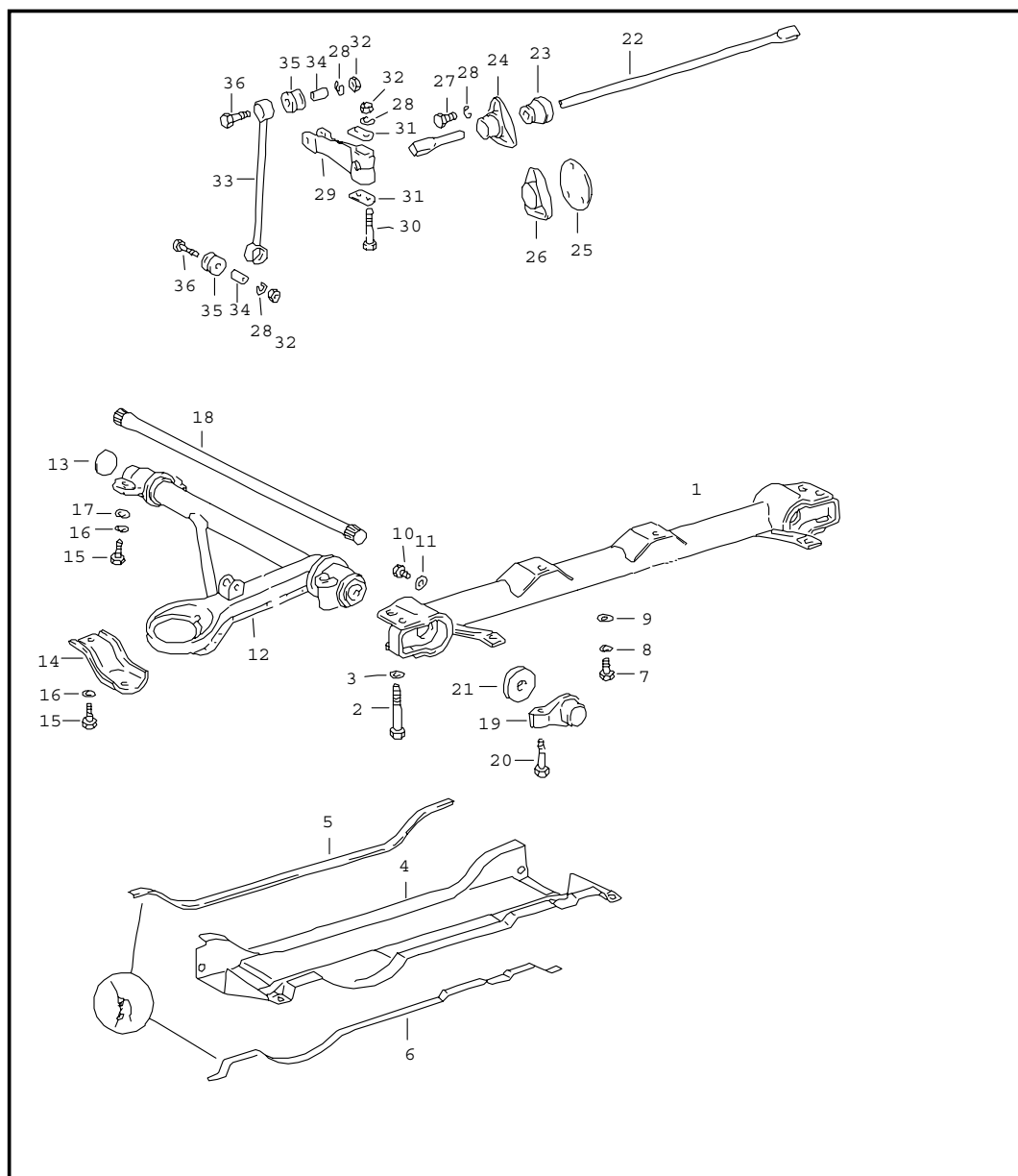
PET

PORSCHE

Model	Year	MG	SG	Illustration	Restrictions	Update		
911	73	3	98	398-00		203	12:06	21.08.2006

Pos	Part Number	Name	Remarks	Qty	Model
-	999 113 175 40	shaft seal 6 X 15 X 6		1	
-	999 701 084 50	o-ring 25,3 X 2,4		1	
-	999 113 185 40	shaft seal 15 X 24 X 7		1	
-	925 301 392 00	gasket		1	
-	900 123 007 30	sealing ring 14 X 18 AL		1	
-	999 701 376 40	o-ring 170 X 3,5		1	
-	999 701 359 40	o-ring 40 X 1,5		1	
- - - E N D - - -					

Model	Year	MG	SG	Illustration	Restrictions	Update	12:06	21.08.2006	PORSCHE	PET	PORSCHE
911	73	4	01	401-00		203					



Pos	Part Number	Name	Remarks	Qty	Model
		front axle stabiliser			
1	901 341 013 04	auxiliary support for cars with spring strut	-71 72-	1	911 E 911 T/E/S:M
1	901 341 013 03	auxiliary support for cars with shock absorber strut	-71	1	911 T/S
(1)	911 341 013 05	auxiliary support for cars with shock absorber strut	72-	1	
2	900 082 020 02	hexagon-head bolt M 12 X 1,5 X 80		2	
3	900 027 017 02	lock ring B 12 not for		2	CARRERA 2.7
(3)	900 028 027 02	spring washer B 12		2	CARRERA 2.7
4	911 341 161 00	protective plate	/LL -71	1	
(4)	911 341 162 00	protective plate	/RL -71	1	
(4)	911 341 161 02	protective plate fuel tank 62 L	72-	1	
(4)	911 341 025 01	protective plate fuel tank 85 L	/LL 72-	1	
(4)	911 341 026 01	protective plate fuel tank 85 L	/RL 72-	1	
5	901 341 165 00	sealing rubber	-71	1	
(5)	901 341 181 00	sealing rubber	72-	1	
6	901 341 166 00	sealing rubber	/LL -71	1	
(6)	901 341 165 00	sealing rubber	/RL -71	1	
(6)	901 341 166 00	sealing rubber	72-	1	
7	900 075 040 02	hexagon-head bolt M 10 X 20		2	
8	900 027 016 02	lock ring B 10 not for		2	CARRERA 2.7

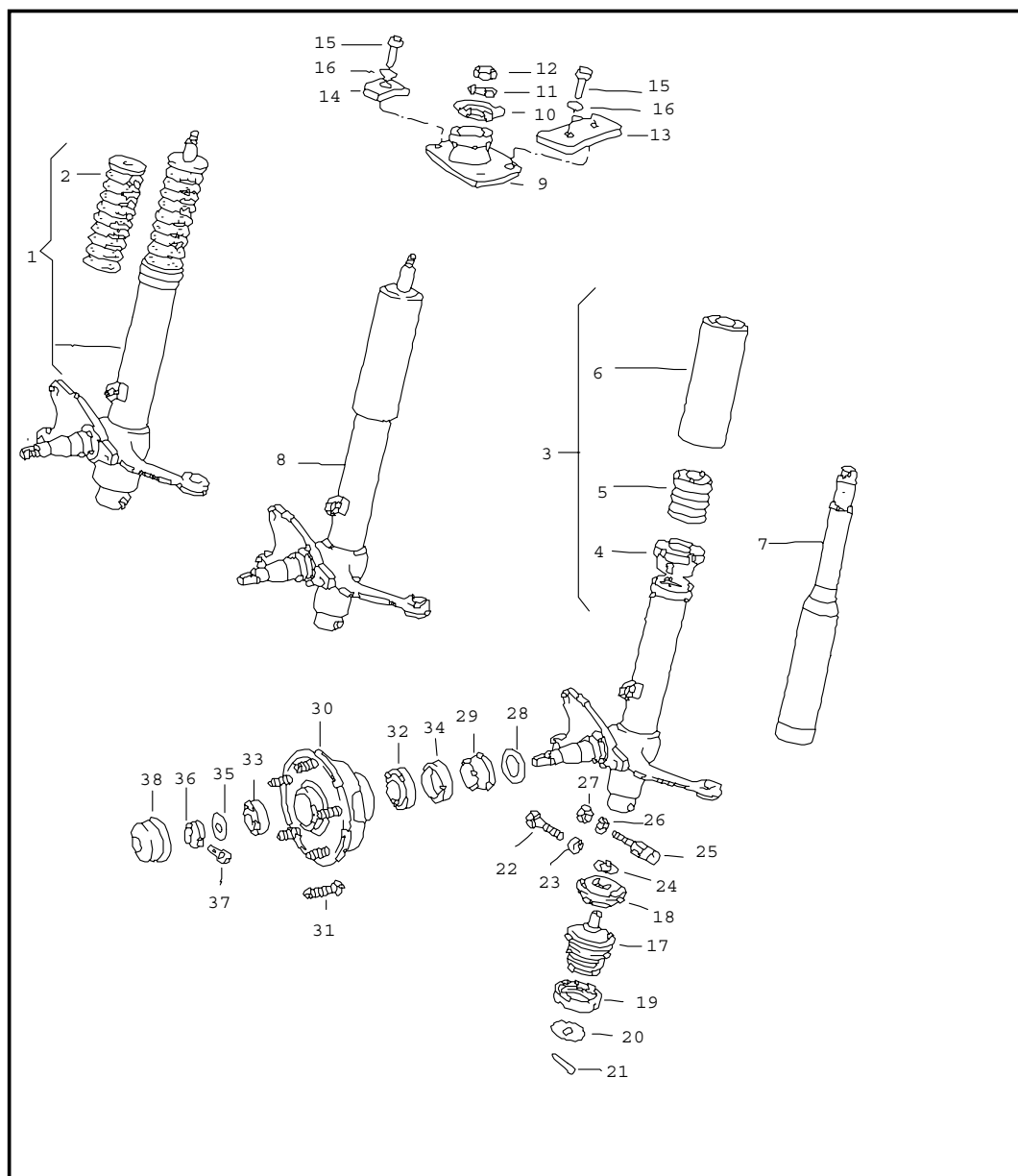
Model	Year	MG	SG	Illustration	Restrictions	Update	12:06	21.08.2006	PORSCHE	PET	PORSCHE
911	73	4	01	401-00		203					

Pos	Part Number	Name	Remarks	Qty	Model	Pos	Part Number	Name	Remarks	Qty	Model
(8)	900 028 032 02	spring washer B 10		2	CARRERA 2.7	20	911 341 115 00	adjusting screw not for	-71 -70	2	911 T/S COMFORT
9	900 025 008 02	washer 10,5		2		(20)	911 341 115 00	adjusting screw not for	72-	2	911 T/E/S CARRERA 2.7
10	N 010 235 3	hexagon-head bolt M 8 X 10		2		(20)	911 341 115 00	adjusting screw		2	CARRERA 2.7
11	N 012 241 1	spring washer B 8 X 15		2		21	901 341 475 00	gasket	72-	2	911 T/S 911 E CARRERA 2.7
12	911 341 901 00	control arm for cars with shock absorber strut	/L 72- 72-	1	911 T/S 911 E CARRERA 2.7	22	901 343 703 03	stabiliser \$ 15	-70	1	911 S CARRERA 2.7
(12)	911 341 902 00	control arm for cars with shock absorber strut	/R 72- 72-	1	911 T/S 911 E CARRERA 2.7			not for	M	1	911 T/E 911 T-K
12	911 341 901 00	control arm for cars with spring strut	/L -71 72-	1	911 E 911 T/E/S:M	23	901 343 792 02	rubber mounting	M	2	911 S CARRERA 2.7 911 T/E 911 T-K
(12)	911 341 902 00	control arm for cars with spring strut	/R -71 72-	1	911 E 911 T/E/S:M	24	901 343 754 01	stabiliser mounting	M	2	911 S CARRERA 2.7 911 T/E 911 T-K
13	900 040 008 01	cover plate 28	72- 72- -71	2	911 T/S 911 E CARRERA 2.7 911 E	25	901 343 766 00	sealing washer not for		2	911 T/E 911 T-K
14	901 341 159 00	protective bracket		2		26	901 343 765 00	cap not for		2	911 T/E 911 T-K
15	N 010 275 3	hexagon-head bolt M 10 X 35		6		27	900 075 083 02	hexagon-head bolt M 8 X 25	-71 -71	6	911 S 911 T/E:M
16	900 027 016 02	lock ring B 10		6		(27)	900 075 087 02	hexagon-head bolt M 8 X 16	72-	6	911 T/E/S CARRERA 2.7
17	900 025 008 02	washer 10,5		4		28	900 027 015 02	lock ring B 8		X	
18	901 343 101 12	torsion bar	/L 72- 72- -70	1	911 T/S 911 E CARRERA 2.7 COMFORT	29	901 343 713 01	lever stabiliser	M	2	911 S CARRERA 2.7 911 T/E 911 T-K
(18)	901 343 102 12	torsion bar	/R 72- 72- -70	1	911 T/S 911 E CARRERA 2.7 COMFORT	30	900 074 135 02	hexagon-head bolt M 8 X 62	M	4	911 S CARRERA 2.7 911 T/E 911 T-K
19	901 341 033 00	reverse lever	72- 72- -70	2	911 T/S 911 E CARRERA 2.7 COMFORT	31	901 343 763 00	guide plate	M	4	911 S CARRERA 2.7 911 T/E 911 T-K
		not for						not for			

Model	Year	MG	SG	Illustration	Restrictions	Update	12:06	21.08.2006	PORSCHE	PET	PORSCHE
911	73	4	01	401-00		203					

Pos	Part Number	Name	Remarks	Qty	Model	Pos	Part Number	Name	Remarks	Qty	Model
32	900 076 025 02	hexagon nut M 8 not for	M	X	911 S CARRERA 2.7 911 T/E 911 T-K						
33	901 343 076 03	suspension not for	M	2	911 S CARRERA 2.7 911 T/E 911 T-K						
34	901 343 737 00	spacer tube not for	M	4	911 S CARRERA 2.7 911 T/E 911 T-K						
35	901 343 783 00	rubber mounting not for	M	4	911 S CARRERA 2.7 911 T/E 911 T-K						
36	900 074 130 02	hexagon-head bolt M 8 X 40 not for	M	4	911 S CARRERA 2.7 911 T/E 911 T-K						
		- - - E N D - - -									

Model	Year	MG	SG	Illustration	Restrictions	Update	12:06	21.08.2006	PORSCHE	PET	PORSCHE
911	73	4	02	402-00		203					



Pos	Part Number	Name	Remarks	Qty	Model
		spring strut shock absorber strut			
1	901 341 083 01	spring strut - boge - see classic ti 8/93	/L -71	1	911 E
(1)	901 341 084 01	spring strut - boge - see classic ti 8/93	/R -71	1	911 E
1	901 341 083 10	spring strut s-calliper - koni - see classic ti 8/93	/L 72-	1	911 T/E/S:M
(1)	901 341 084 10	spring strut s-calliper - koni - see classic ti 8/93	/R 72-	1	911 T/E/S:M
2	901 343 302 00	spring		2	
3	911 341 043 01	shock absorber strut outer part - boge - m calliper M 18 X 1	/L	1	
(3)	911 341 044 01	shock absorber strut outer part - boge - m calliper M 18 X 1	/R	1	
3	911 341 043 02	shock absorber strut outer part - boge - s-calliper M 18 X 1	/L	1	
(3)	911 341 044 02	shock absorber strut outer part - boge - s-calliper M 18 X 1	/R-	1	
4	911 341 804 00	screw plug		2	
5	901 343 301 00	rubber stop - boge - - KONI -		2	
6	911 341 805 01	protective tube		2	

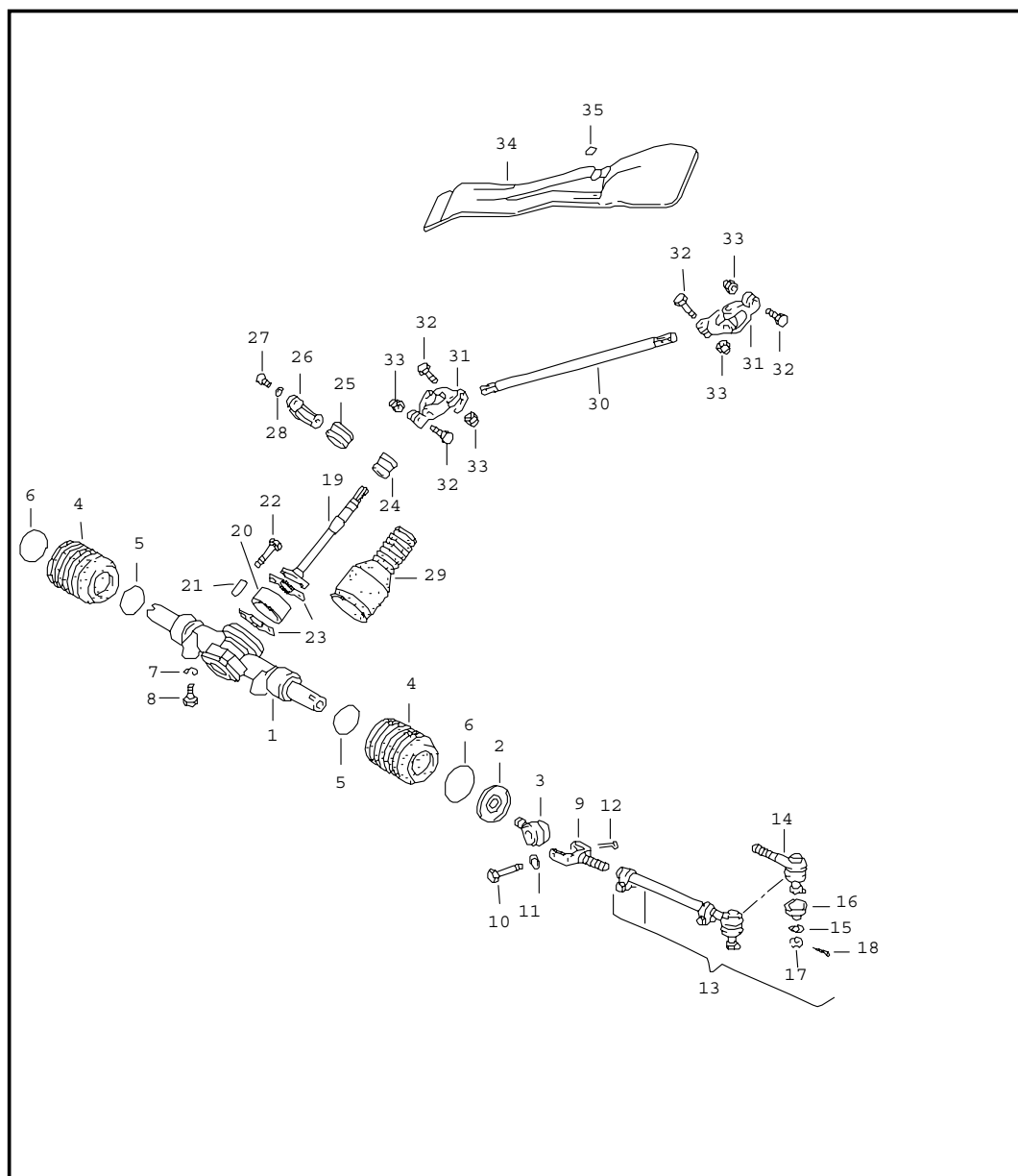
Model	Year	MG	SG	Illustration	Restrictions	Update	12:06	21.08.2006	PORSCHE	PET	PORSCHE
911	73	4	02	402-00		203					

Pos	Part Number	Name	Remarks	Qty	Model	Pos	Part Number	Name	Remarks	Qty	Model
7	PCG 341 903 00	insert for - boge - outer part		2		17	911 341 049 01	ball joint for shock absorber strut with DOPPELKEILKLEMMUNG		2	
7	PCG 341 904 00	insert for - KONI- outer part		2		18	901 341 049 00	ball joint		2	
8	911 341 943 00	shock absorber strut s-calliper - bilstein -	/L 71-	1 1 X	911 T/E/S:M	19	901 341 425 00	grooved nut		2	
(8)	911 341 944 00	shock absorber strut s-calliper - bilstein -	/R 71-	1 1 X	911 T/E/S:M	20	901 341 426 00	tab washer		2	
8	911 341 041 33	shock absorber strut s-calliper - bilstein -	/L 73-	1	911 T/E/S:M CARRERA 2.7	21	N 012 521 1	cotter pin 2 X 20		2	
(8)	911 341 042 33	shock absorber strut s-calliper - bilstein -	/R 73-	1	911 T/E/S:M CARRERA 2.7	22	900 075 111 01	hexagon-head bolt M 10 X 30 only together with ball joint 901.341.049.00	-71	2	
9	911 341 018 00	supporting mount for shock absorber strut		2		23	999 523 103 01	lock washer only together with ball joint 901.341.049.00	-71	2	
(9)	911 341 019 00	supporting mount for spring strut		2		24	901 341 659 00	desk pad only together with ball joint 901.341.049.00	-71	2	
10	901 341 629 00	support washer		2		25	911 341 119 06	threaded pin only together with ball joint 911.341.049.01		2	
11	900 038 002 01	tab washer 14		2		26	900 089 006 02	washer only together with ball joint 911.341.049.01		2	
12	N 011 021 3	hexagon nut M 14 X 1,5		2		27	999 084 019 02	lock nut M 8 only together with ball joint 911.341.049.01		2	
13	911 501 933 00	pressure plate		2		28	999 701 084 50	o-ring OR 25,3 - 2,4		2	
14	911 501 934 00	pressure plate		2		29	901 341 623 00	spacer ring		2	
15	900 067 063 02	pan-head screw M 10 X 20		6		30	901 341 065 04	front wheel hub		2	
16	999 523 103 01	lock washer		X		31	904 341 671 00	wheel bolt standard dimension knurling 14,8 MM		10	
17	901 341 049 00	ball joint for shock absorber strut with clamping slot	-71	2							

Model	Year	MG	SG	Illustration	Restrictions	Update	12:06	21.08.2006	PORSCHE	PET	PORSCHE
911	73	4	02	402-00		203					

Pos	Part Number	Name	Remarks	Qty	Model	Pos	Part Number	Name	Remarks	Qty	Model
(31)	904 341 671 00	wheel bolt oversize knurling 15 MM		X							
32	999 059 006 00	taper roller bearing inner		2							
33	999 059 065 00	taper roller bearing outer		2							
34	477 405 641	radial sealing ring		2							
35	901 341 663 00	thrust washer 16 MM		2							
35	911 341 663 00	thrust washer 18 MM		2							
36	914 341 671 00	clamping nut M 16 X 1		2							
36	911 341 673 00	clamping nut M 18 X 1		2							
37	999 119 001 01	pan-head screw M 7 X 18		2							
38	914 341 684 00	cap		2							
		- - - E N D - - -									

Model	Year	MG	SG	Illustration	Restrictions	Update	12:07	21.08.2006	PORSCHE	PET	PORSCHE
911	73	4	03	403-00		203					

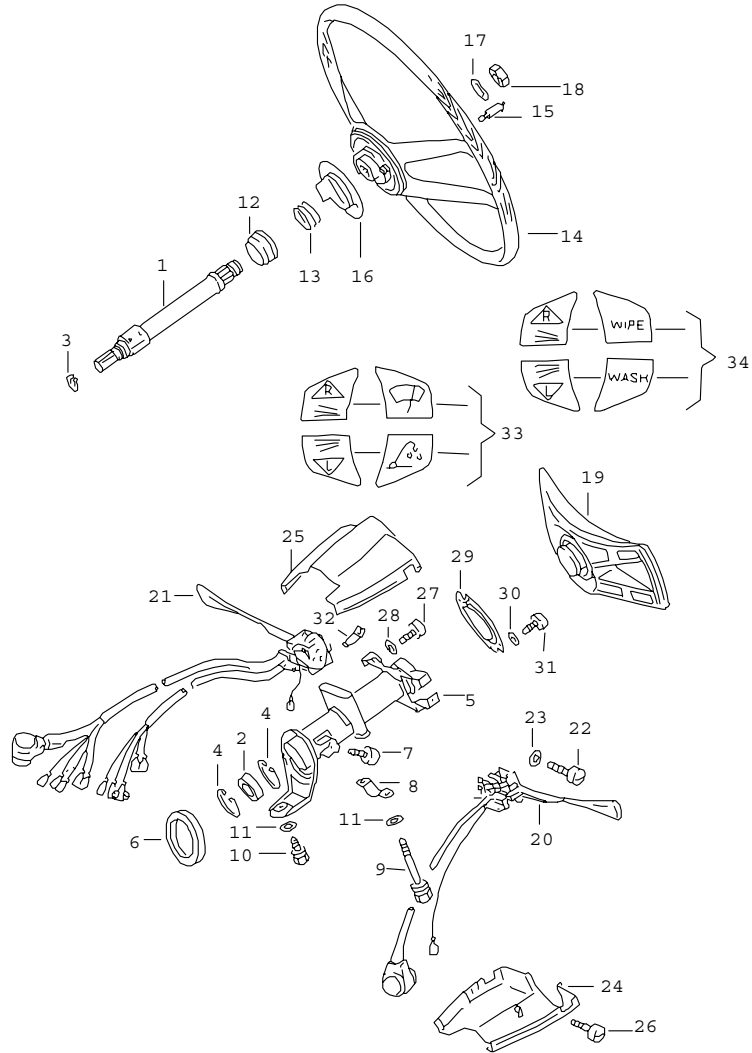


Pos	Part Number	Name	Remarks	Qty	Model
		steering gear steering linkage			
1	901 347 010 02	steering gear	-71	1	911 E
(1)	914 347 010 01	steering gear	-71	1	911 T/S
(1)	914 347 010 06	steering gear	72-	1	
2	901 347 056 02	support		2	
3	914 347 057 00	bush		2	
4	901 347 191 02	bellows		2	
5	901 347 308 00	retainer spring		2	
6	901 347 309 00	retainer spring		2	
7	900 027 016 02	lock ring B 10		2	
8	N 010 253 7	hexagon-head bolt M 10 X 22		2	
9	901 347 315 01	joint fork		2	
10	911 347 327 00	hexagon-head bolt		2	
11	999 523 103 01	lock washer M 10		2	
12	900 021 008 00	cotter pin 2 X 15		2	
13	911 347 031 00	tie rod	-71	2	
(13)	911 347 031 00	tie rod	72-	2	
14	911 347 322 04	ball joint	-71	2	
(14)	911 347 322 04	ball joint	72-	2	
15	901 347 539 00	retainer	-71	4	
16	911 347 322 04	ball joint	-71	4	
17	N 011 210 1	castle nut M 10 X 1		2	
18	900 021 013 00	cotter pin 2 X 25		2	
19	901 347 210 03	steering shaft	-71	1	
(19)	901 347 210 03	steering shaft	72-	1	
20	901 347 201 02	steering coupling		1	

Model	Year	MG	SG	Illustration	Restrictions	Update	12:07	21.08.2006	PORSCHE	PET	PORSCHE
911	73	4	03	403-00		203					

Pos	Part Number	Name	Remarks	Qty	Model	Pos	Part Number	Name	Remarks	Qty	Model
21	901 347 215 00	stop bush		4							
22	900 074 129 02	hexagon-head bolt M 8 X 42		4							
23	901 347 248 00	tab washer		2							
24	901 347 241 01	steering shaft bearing		1							
25	901 347 223 03	rubber mounting		1							
26	901 347 221 00	housing		1							
27	900 186 002 02	pan-head screw M 8 X 15		2							
28	900 142 002 01	lock ring B 8		2							
29	901 347 393 01	sealing bellows		1							
30	911 347 211 01	intermed. steering shaft	/RL	1							
(30)	911 347 212 01	intermed. steering shaft not for	/LL	1	TARGA						
31	930 347 025 00	universal joint		2							
32	N 010 335 5	hexagon-head bolt M 8 X 35		4							
33	N 021 194 1	lock nut M 8		4							
34	901 347 067 00	cover	/LL	1							
(34)	901 347 068 00	cover not for	/RL	1	TARGA						
35	999 507 209 01	speed nut		2							
		- - - E N D - - -									

Model	Year	MG	SG	Illustration	Restrictions	Update	12:07	21.08.2006	PORSCHE	PET	PORSCHE
911	73	4	03	403-05		203					



Pos	Part Number	Name	Remarks	Qty	Model
		steering shaft steering wheel steering column switch			
1	901 347 061 01	steering shaft		1	
2	900 052 031 00	deep-groove ball bearing		1	
3	900 041 008 00	circlip 17 X 1		1	
4	900 042 008 00	circlip 35 X 1,5		2	
5	911 347 073 00	steering outer tube	/LL	1	
(5)	911 347 072 01	steering outer tube not for	/RL -71	1	TARGA
6	911 347 713 00	gasket		1	
7	900 146 044 02	oval-head screw AM 6 X 10 not for	/RL	1	TARGA
(7)	900 228 002 02	threaded pin M 8 X 16	/LL	1	
-	900 076 044 02	hexagon nut	/LL	1	
8	901 347 755 00	clip		1	
9	901 347 754 00	shear bolt		2	
10	901 347 753 00	shear bolt		1	
11	999 523 102 02	washer M 8 PN		3	
12	914 347 711 00	steering shaft bearing		1	
13	914 347 713 00	compression spring		1	
14	901 347 081 00	steering wheel hard rubber \$ 400	-72 72	1	911 T 911 T-V/E
(14)	901 347 081 10	steering wheel leather \$ 400 see classic ti 4/94	-72 -72	1	911 S 911 T/E:M

Model	Year	MG	SG	Illustration	Restrictions	Update	12:07	21.08.2006	PORSCHE	PET	PORSCHE
911	73	4	03	403-05		203					

Pos	Part Number	Name	Remarks	Qty	Model	Pos	Part Number	Name	Remarks	Qty	Model
(14)	911 347 082 00	steering wheel plastic material \$ 400 see classic ti 4/94 not for	73-	1	CARRERA 2.7	22	900 014 069 02	pan-head screw AM 3 X 8		4	
(14)	911 347 084 00	steering wheel leather \$ 380	73-	1	CARRERA 2.7	23	900 115 007 01	serrated lock washer A 3,2		4	
(14)	901 347 081 05	steering wheel hard rubber with elevated hub see classic ti 4/94	-71 72	1	911 T/E/S:M 911 T/E:M	24	901 613 312 01	switch housing lower part		1	
(14)	901 347 081 15	steering wheel leather with elevated hub see classic ti 4/94	-72	1	911 T/E/S:M	25	901 613 311 01	switch housing upper part		1	
(14)	911 347 082 05	steering wheel plastic material with elevated hub see classic ti 4/94	73- M	1	911 T/E/S:M CARRERA 2.7	26	900 014 079 02	pan-head screw AM 3 X 10		2	
15	914 347 831 00	contact pin		1		27	900 014 046 02	pan-head screw AM 4 X 10		4	
(15)	914 347 832 00	contact pin with elevated hub	M	1		28	N 012 116 1	serrated lock washer A 4,3		4	
16	901 613 325 05	cancelling ring		1		29	901 613 915 00	plate		1	
-	900 269 006 07	countersunk-head screw		2		30	900 014 046 02	pan-head screw M 4 X 10		2	
17	N 012 239 1	spring washer B 18		1		31	N 012 116 1	serrated lock washer A 4,3		2	
18	900 078 007 02	hexagon nut M 18 X 1,5		1		32	999 652 315 02	flat plug		1	
19	914 613 805 12	horn button not for		1	CARRERA 2.7	33	901 559 330 00	cap with symbol 1 set for light and windscreen washer system		1	
(19)	914 613 805 12	horn button		1	CARRERA 2.7	(33)	901 559 330 01	logo 1 set for light and windscreen washer system		1	(S) (J) (CDN)
20	--- --- --- --	direction indicator switch see group 9/03/20		1		34	901 559 330 01	cap with symbol 1 set for light and windscreen washer system		1	(USA)
21	--- --- --- --	wiper switch see group 9/03/20		1				- - - E N D - - -			

Model	Year	MG	SG	Illustration	Restrictions	Update	12:07	21.08.2006
911	73	4	98	498-00		203		

Pos	Part Number	Name	Remarks	Qty	Model
>>	> PCG 341 903 00	repair kits vibration damper for shock absorber strut m calliper - boge - 911.341.921.00 911.341.922.00 901.341.079.01 901.341.080.01 for shock absorber strut s-calliper - boge - 911.341.923.00 911.341.924.00 901.341.079.00 901.341.080.00	-71	1	911 T
>>	> PCG 341 904 00	vibration damper for shock absorber strut m calliper - koni - 911.341.931.00 911.341.932.00 901.341.079.11 901.341.080.11 for shock absorber strut s-calliper - koni - 911.341.925.00 911.341.926.00 901.341.079.10 901.341.080.10	M -70	1	911 T:COUPE:
>>	> PCG 341 903 00	vibration damper for shock absorber strut s-calliper - boge - 911.341.079.00 911.341.080.00 911.341.079.02 911.341.080.02 F >>91131 00531 F >>91131 10331 F >>91132 00161 F >>91132 10131 F >>91133 00187 F >>91135 00161 F >>91135 10138	M -71	2	911 S:COUPE 911 T:COUPE: 911 TE-COUPE 911 TE-TARGA 911 E -COUPE 911 E -TARGA 911 S -COUPE 911 TV-COUPE 911 TV-TARGA

Model	Year	MG	SG	Illustration	Restrictions	Update	12:07	21.08.2006
911	73	4	98	498-00		203		

Pos	Part Number	Name	Remarks	Qty	Model
>>	> PCG 341 903 00	vibration damper for shock absorber strut m calliper - boge - 911.341.079.04 911.341.080.04 911.341.079.05 911.341.080.05 F 91131 00532>> F 91131 10332>> F 91132 00162>> F 91132 10132>> F 91133 00188>> F 91135 00162>> F 91135 10139>>		2	911 TE-COUPE 911 TE-TARGA 911 E -COUPE 911 E -TARGA 911 S -COUPE 911 TV-COUPE 911 TV-TARGA
>>	> PCG 341 904 00	vibration damper for shock absorber strut m calliper - koni - 911.341.079.10 911.341.080.10		2	
>>	> 911 343 901 00	stabiliser installation set \$ 15	/V	1	911 T/E:M
-	901 343 703 03	stabiliser \$ 15		1	
-	901 343 792 02	rubber mounting		1	
-	901 343 754 01	stabiliser mounting		1	
-	900 075 083 02	hexagon-head bolt M 8 X 25		6	
-	900 027 015 02	lock ring B 8		8	
-	901 343 713 01	lever stabiliser		2	
-	900 074 135 02	hexagon-head bolt M 8 X 62		4	
-	901 343 763 00	guide plate		4	
-	900 076 025 02	hexagon nut M8		8	
-	901 343 076 03	suspension		2	
-	901 343 737 00	spacer tube		4	
-	901 343 783 00	rubber mounting		4	
-	900 074 130 02	hexagon-head bolt M 8 X 40		4	

PORSCHE

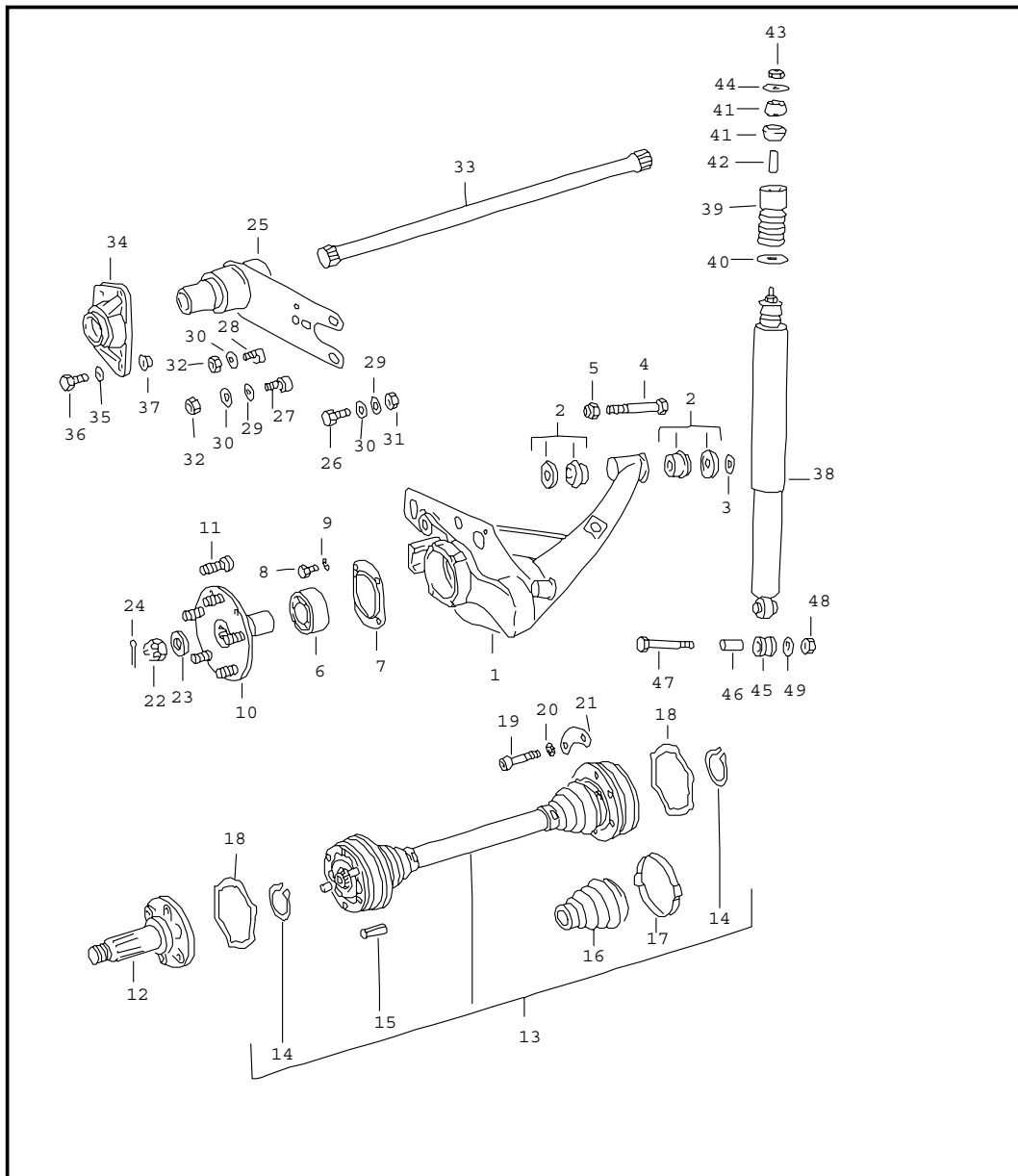
PET

PORSCHE

Model	Year	MG	SG	Illustration	Restrictions	Update		
911	73	4	98	498-00		203	12:07	21.08.2006

Pos	Part Number	Name	Remarks	Qty	Model
		- - - E N D - - -			

Model	Year	MG	SG	Illustration	Restrictions	Update	12:07	21.08.2006	PORSCHE	PET	PORSCHE
911	73	5	01	501-00		203					

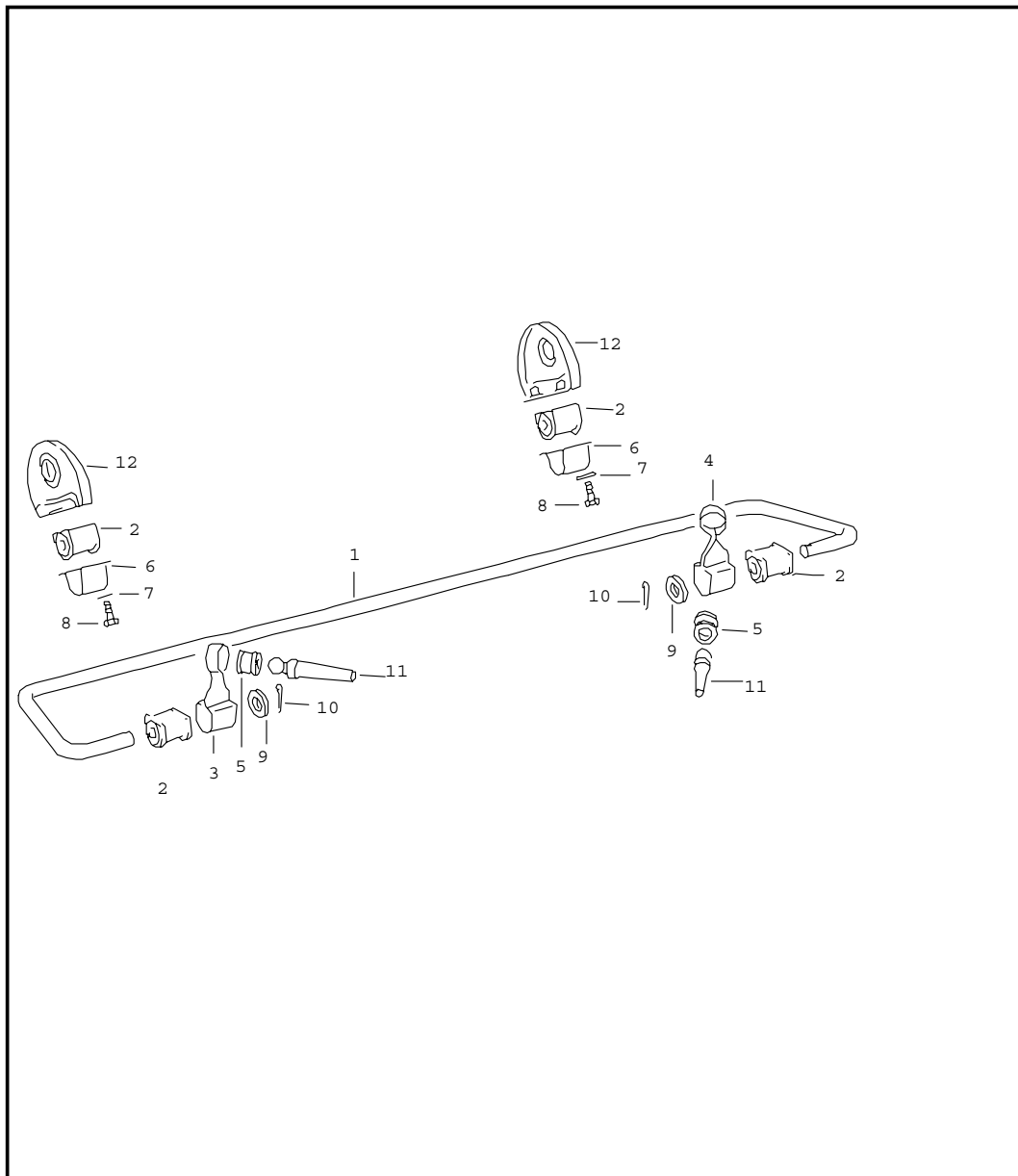


Pos	Part Number	Name	Remarks	Qty	Model
		rear axle			
1	901 331 053 36	rear-axle trailing arm left	-71	1	
(1)	911 331 053 05	rear-axle trailing arm left	72-	1	911 T/E/S
(1)	911 331 053 20	rear-axle trailing arm left		1	CARRERA 2.7
(1)	911 331 053 10	rear-axle trailing arm left F 91136 01409>>		1	CARRERA 2.7
(1)	901 331 054 36	rear-axle trailing arm right	-71	1	
(1)	911 331 054 05	rear-axle trailing arm right	72-	1	911 T/E/S
(1)	911 331 054 20	rear-axle trailing arm right		1	CARRERA 2.7
(1)	911 331 054 10	rear-axle trailing arm right F 91136 01409>>		1	CARRERA 2.7
2	901 331 059 00	flange mounting		4	
3	N 011 534 4	washer 15		2	
4	900 082 016 01	hexagon-head bolt M 14 X 1,5 X 85	-71	2	
4	900 082 055 02	hexagon-head bolt M 14 X 1,5 X 77	72-	2	
5	N 021 225 3	lock nut M 14 X 1,5	-71	2	
5	999 084 014 02	hexagon nut M 14 X 1,5	72-	2	
6	999 053 035 00	ball bearing		2	
6	999 053 053 00	angular-contact bearing oversize for rear-axle trailing arm PCG.331.053.20 PCG.331.053.20		X	
7	901 331 561 00	cover		2	
8	N 010 239 11	hexagon-head bolt M 8 X 18		8	

Model	Year	MG	SG	Illustration	Restrictions	Update	12:07	21.08.2006	PORSCHE	PET	PORSCHE
911	73	5	01	501-00		203					

Pos	Part Number	Name	Remarks	Qty	Model	Pos	Part Number	Name	Remarks	Qty	Model
38	911 333 051 01	vibration damper - boge - F 91131 00532>> F 91131 10332>> F 91132 00162>> F 91132 10132>> F 91133 00188>> F 91133 10135>> F 91135 00162>> F 91135 10139>>		2	911 TE COUPE 911 TE TARGA 911 E COUPE 911 E TARGE 911 S COUPE 911 S TARGA 911 TV COUPE 911 TV TARGA	48	999 084 025 02	uni-stop nut U 112 12 X 1,5	-71	2	
						(48)	999 084 033 02	uni-stop nut U 112 14 X 1,5	72-	2	
						49	999 025 058 01	washer	-71	2	
						(49)	999 025 062 02	washer	72-	2	
								- - - E N D - - -			
(38)	PCG 333 051 01	vibration damper - koni -	-71	2	911 T:M 911 S						
(38)	PCG 333 051 02	vibration damper - koni -	72-	X	911 T/E/S:M						
(38)	911 333 051 30	vibration damper - bilstein -	-72	X	911 T/E/S:M						
(38)	911 333 051 34	vibration damper - bilstein -	73-	X	911 T/E/S:M CARRERA 2.7						
39	901 333 301 03	additional spring	-71	2							
(39)	911 333 301 04	additional spring	72-	2							
40	901 333 511 00	stop washer - boge -		2							
(40)	901 333 511 12	stop washer - koni -		2							
41	911 333 521 00	ring		4							
42	911 333 522 00	bush		2							
43	900 084 013 02	hexagon nut M 10 X 1		2							
44	911 333 523 00	washer		2							
45	901 333 795 01	rubber mounting	-71	2							
(45)	911 333 795 00	rubber mounting - boge -	72-	2							
(45)	911 333 795 11	rubber mounting - koni -	72-	2							
46	901 333 513 00	bush		2							
47	900 082 110 02	hexagon-head bolt M 12 X 1,5 X 85	-71	2							
(47)	900 082 049 02	hexagon-head bolt M 14 X 1,5 X 95	72-	2							

Model	Year	MG	SG	Illustration	Restrictions	Update	12:07	21.08.2006	PORSCHE	PET	PORSCHE
911	73	5	02	502-00		203					



Pos	Part Number	Name	Remarks	Qty	Model
		stabiliser rear axle			911 S CARRERA 2.7 911 T/E:M
1	901 333 701 04	stabiliser \$ 15 MM		1	
2	901 333 793 02	rubber mounting \$ 15 MM		4	
3	901 333 731 01	plate left		1	
4	901 333 732 01	plate right		1	
5	901 343 782 00	bush		2	
6	901 333 753 01	supporting bow		2	
7	900 027 015 02	lock ring B 8		4	
8	N 010 239 11	hexagon-head bolt M 8 X 18		4	
9	900 089 010 02	washer 16		2	
10	900 021 026 00	cotter pin 4 X 25 picture 11+12 for subsequent installat.		2	
11	901 331 571 07	bolt		2	
12	901 333 901 01	bracket	-71	2	
(12)	911 501 180 00	bracket	72-	2	
- - - E N D - - -					

Model	Year	MG	SG	Illustration	Restrictions	Update	12:08	21.08.2006
911	73	5	98	598-00		203		

Pos	Part Number	Name	Remarks	Qty	Model
>>	> 901 333 901 02	installation set stabiliser rear		1	911 T/E:M
-	901 333 701 04	stabiliser \$ 15 MM		1	
-	901 333 793 02	rubber mounting		4	
-	901 333 731 01	plate left		1	
-	901 333 732 01	plate right		1	
-	901 343 782 00	bush		2	
-	901 333 753 01	supporting bow		2	
-	900 027 015 02	lock ring B 8		4	
-	N 010 239 11	hexagon-head bolt M 8 X 18		4	
-	900 089 010 02	washer		2	
-	900 021 026 00	cotter pin 4 X 25		2	
-	901 331 571 02	bolt		2	
-	901 333 901 01	bracket		1	
- - - E N D - - -					

Model	Year	MG	SG	Illustration	Restrictions	Update	12:08	21.08.2006	PORSCHE	PET	PORSCHE
911	73	6	01	601-00		203					

Pos	Part Number	Name	Remarks	Qty	Model
		wheels			
1	911 361 022 00	perforated disc wheel prime coated 5 1/2 J X 15 H2 ET 42		5	
1	911 361 022 20	perforated disc wheel chrome 5 1/2 J X 15 H2 ET 42		5	
(1)	911 361 021 00	perforated disc wheel silver metallic 6 J X 15 ET 36	M	5	
2	N 020 112 1	ball seat nut A 14		20	
3	901 361 301 04	hub cap with bores		4	
4	999 591 339 02	tapping nut		12	
5	901 559 801 01	badge mat chrome		4	
(5)	644 559 801 00	badge gold-plated		4	
-	901 361 121 00	retainer spring for valve		5	
		balance weight for perforated disc wheel 901.361.015.10/20 and perforated disc wheel aluminium 911.361.016.00 inner and perforated disc wheel steel			
7	928 361 410 00	balance weight 10 G		X	
(7)	928 361 411 00	balance weight 20 G		X	
(7)	928 361 412 00	balance weight 30 G		X	
(7)	928 361 413 00	balance weight 40 G		X	

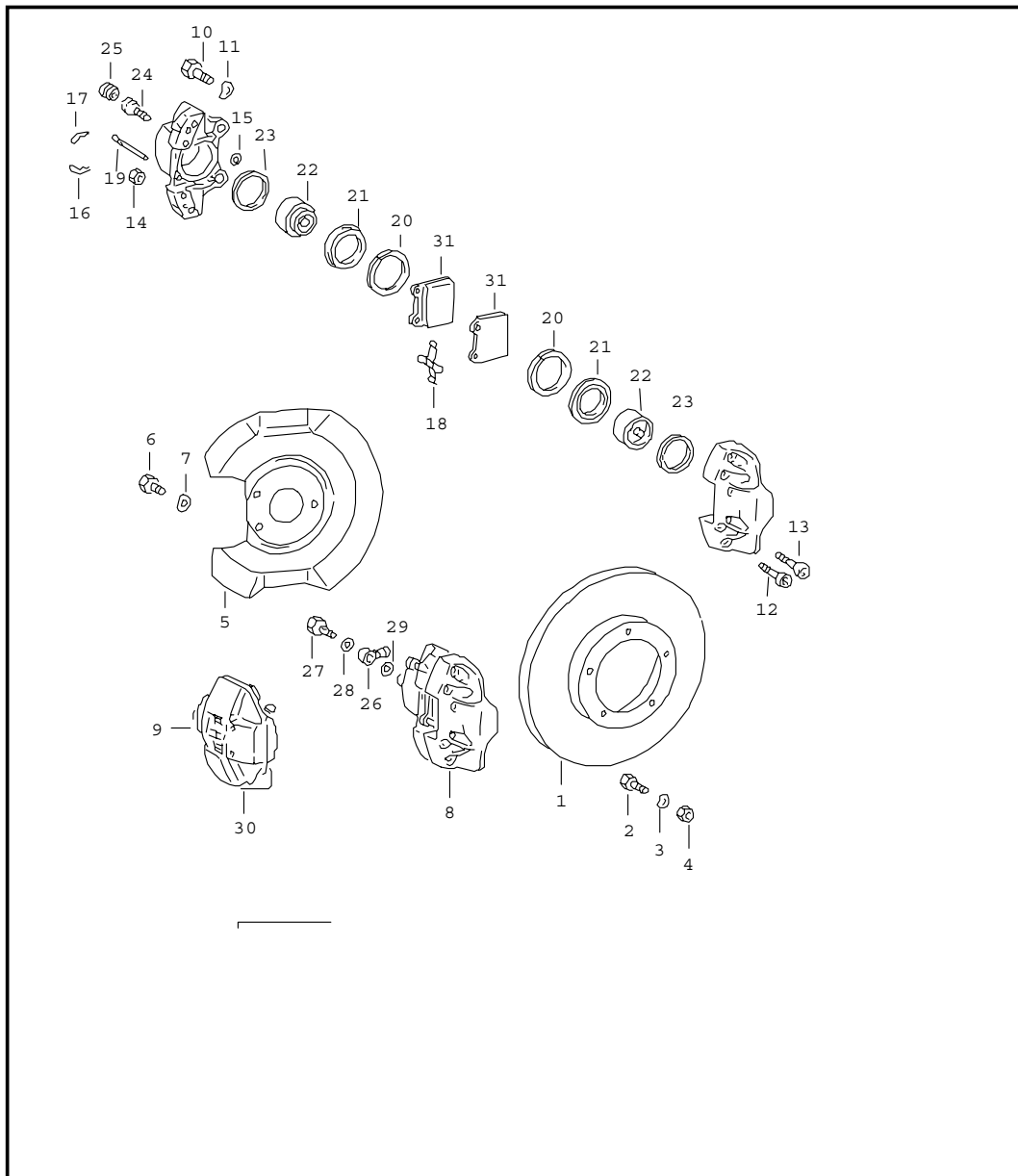
Model	Year	MG	SG	Illustration	Restrictions	Update	12:08	21.08.2006	PORSCHE	PET	PORSCHE
911	73	6	01	601-00		203					

Pos	Part Number	Name	Remarks	Qty	Model	Pos	Part Number	Name	Remarks	Qty	Model
(7)	928 361 414 00	balance weight 50 G		X				balance stick-on weight for perforated disc wheel aluminium 901.361.012.06 911.361.016.00 901.361.017.00 and light alloy			
(7)	928 361 415 00	balance weight 80 G		X							
(7)	928 361 416 00	balance weight 70 G		X							
(7)	928 361 417 00	balance weight 80 G		X		12	901 361 410 00	balance stick-on weight 10 G		X	
8	914 361 441 00	retainer spring		X							
9	911 361 020 00	perforated disc wheel aluminium polished and anodised 6 J X 15		5		(12)	901 361 411 00	balance stick-on weight 20 G		X	
(9)	911 361 016 90	perforated disc wheel aluminium polished and anodised 5 1/2 J X 14 H2 ET 41		5		(12)	901 361 412 00	balance stick-on weight 30 G		X	
(9)	901 361 017 00	perforated disc wheel magnesium die casting 5 1/2 J X 15 ET 42		5		(12)	901 361 413 00	balance stick-on weight 40 G		X	
(9)	911 361 020 10	perforated disc wheel light alloy 6 J X 15 H2 ET 36		5		(12)	901 361 414 00	balance stick-on weight 50 G		X	
(9)	911 361 020 11	perforated disc wheel light alloy 7 J X 15 H2 ET 23,3		2		(12)	901 361 415 00	balance stick-on weight 60 G		X	
(9)	911 361 023 40	alloy wheel light alloy die casting 6 J X 15 H2 ET 36		4		(12)	901 361 417 00	balance stick-on weight emergency wheel		X	
10	999 182 003 36	wheel nut		20		-	911 361 020 10	perforated disc wheel light alloy 6 J X 15		1	
11	901 361 032 00	hub cap		4		-	911 361 022 00	perforated disc wheel steel 5 1/2 J X 15		1	
(11)	SOW 911 038 11	hub cap black emblem coloured		4		-	900 265 001 50	rubber valve \$ 11,5		1	
						-	911 361 506 01	tyre 165-15/4.75/10.00-15 SST		1	
						-	911 361 510 00	small electric compressor		1	
						-	996 361 521 00	boot for impeller		1	
						-	911 361 522 00	cover foil 700 X 700 X 0,2		1	

Model	Year	MG	SG	Illustration	Restrictions	Update	12:08	21.08.2006	PORSCHE	PET	PORSCHE
911	73	6	01	601-00		203					

Pos	Part Number	Name	Remarks	Qty	Model	Pos	Part Number	Name	Remarks	Qty	Model
-	999 914 001 40	plastic gloves 4- pieces in pairs		1							
-	911 722 201 02	tyre pressure gauge not for - CARRERA 2.7-		1							
		- - - E N D - - -									

Model	Year	MG	SG	Illustration	Restrictions	Update	12:08	21.08.2006	PORSCHE	PET	PORSCHE
911	73	6	02	602-00		203					



Pos	Part Number	Name	Remarks	Qty	Model
		disc brake front			
1	901 351 041 16	brake disc vented		2	
2	900 075 079 02	hexagon-head bolt M 8 X 22		10	
3	N 012 241 1	spring washer B 8		10	
4	900 076 025 02	hexagon nut M 8		10	
5	901 351 801 17	protective plate front	-71 72-	2	911 T 911 T-V/T-E 911 E
(5)	901 351 801 17	protective plate front	-71 72- M M	2	911 T:M 911 E/S 911 S CARRERA 2.7 911 T-V/T-E 911 E
6	N 010 235 3	hexagon-head bolt M 8 X 10		6	
7	N 012 241 1	spring washer B 8 X 15		6	
8	911 351 907 00	fixed calliper (M) front left without pad	-71 72-	1	911 T 911 T-V/T-E 911 E
(8)	911 351 908 00	fixed calliper (M) front right without pad	-71 72-	1	911 T 911 T-V/T-E 911 E
9	901 351 975 10	fixed calliper (S) front left without pad brake disc vented	-71	1	911 T:M 911 E/S

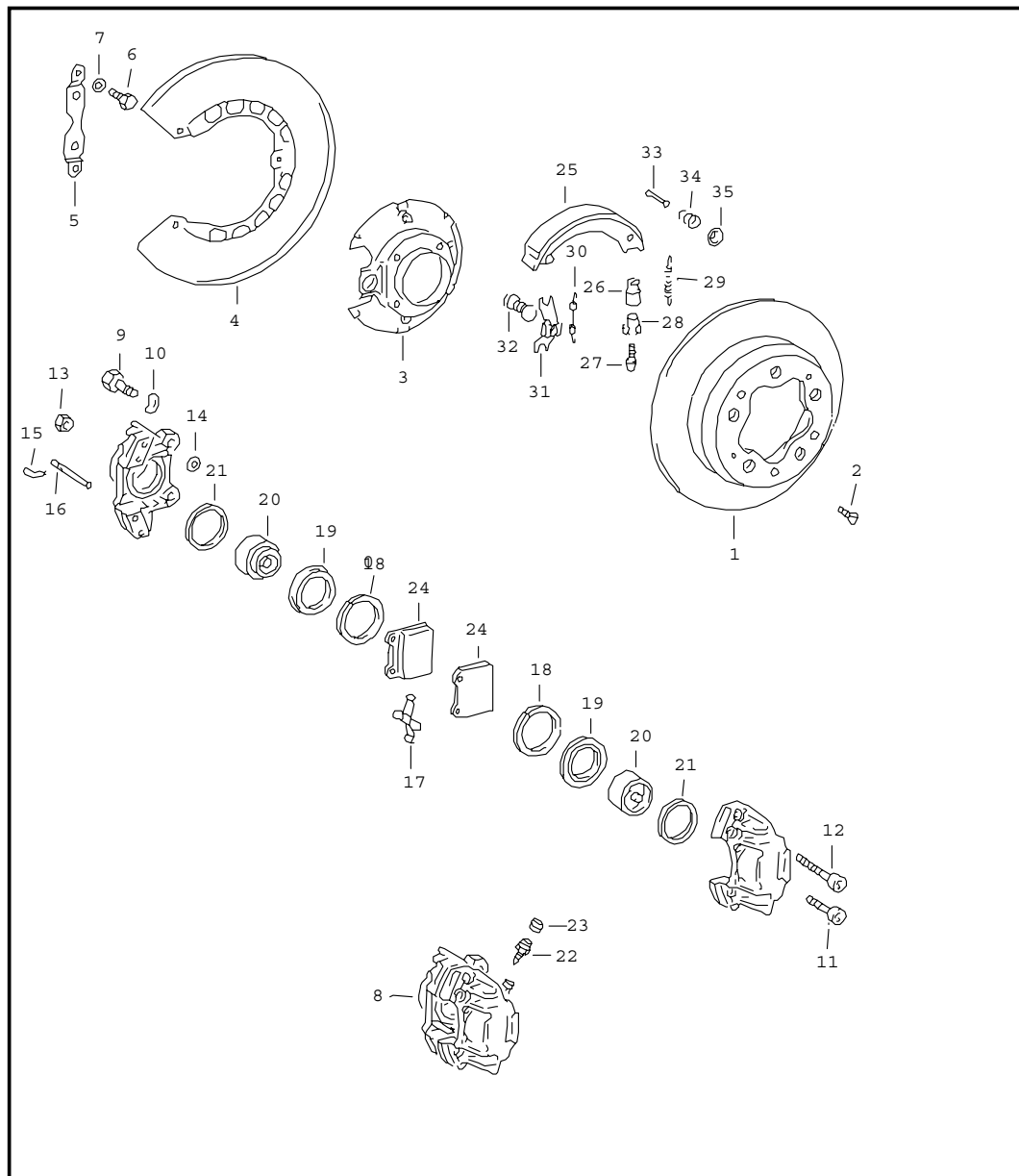
Model	Year	MG	SG	Illustration	Restrictions	Update	12:08	21.08.2006	PORSCHE	PET	PORSCHE
911	73	6	02	602-00		203					

Pos	Part Number	Name	Remarks	Qty	Model	Pos	Part Number	Name	Remarks	Qty	Model
(9)	901 351 976 10	fixed calliper (S) front right without pad brake disc vented	-71	1	911 T:M 911 E/S	(18)	901 351 916 15	expanding spring	-71 72- M M	2	911 T:M 911 E/S 911 S CARRERA 2.7 911 T-V/T-E 911 E
(9)	911 351 935 00	fixed calliper (S) front left without pad brake disc vented	72- M M	1	911 S CARRERA 2.7 911 T-V/T-E 911 E	19	901 351 913 16	retaining pin	-71 72-	4	911 T 911 T-V/T-E 911 E
(9)	911 351 936 00	fixed calliper (S) front right without pad brake disc vented	72- M M	1	911 S CARRERA 2.7 911 T-V/T-E 911 E	(19)	901 351 986 00	retaining pin	-71 72- M M	4	911 T:M 911 E/S 911 S CARRERA 2.7 911 T-V/T-E 911 E
10	900 083 023 02	hexagon-head bolt M 12 X 1,5 X 30		4		20	-	clamping ring see group 6/98/00	-71 72-	X	911 T 911 T-V/T-E 911 E
(10)	900 083 023 01	hexagon-head bolt M 12 X 1,5 X 30	71-	4		21	-	protection cap see group 6/98/00	-71 72- M M	X	911 T:M 911 E/S 911 S 911 T-V/T-E 911 E
11	900 028 014 01	spring washer B 12		4		22	901 351 097 10	piston	-71 72-	4	911 T 911 T-V/T-E 911 E
12	901 351 945 10	pan-head screw	-71 72-	4	911 T 911 T-V/T-E 911 E	(22)	901 351 988 00	piston for s-calliper housing with X	-70	4	911 T:M 911 E/S
13	901 351 946 10	pan-head screw	-71 72-	4	911 T 911 T-V/T-E 911 E	(22)	911 351 918 00	piston	71 72- M M	4	911 T:M 911 E/S 911 S 911 T-V/T-E 911 E
14	N 011 008 8	hexagon nut M 8	-71 72-	8	911 T 911 T-V/T-E 911 E	23	-	gasket see group 6/98/00	-71 72- M M	X	911 T:M 911 E/S 911 S CARRERA 2.7 911 T-V/T-E 911 E
15	901 351 928 10	sealing ring	-71 72-	4	911 T 911 T-V/T-E 911 E	24	901 352 977 10	ventilation valve complete	-71 72-	2	911 T 911 T-V/T-E 911 E
16	901 351 955 10	safety seal		2							
17	901 351 955 10	safety seal		2							
18	901 351 916 14	expanding spring	-71 72-	2	911 T 911 T-V/T-E 911 E						

Model	Year	MG	SG	Illustration	Restrictions	Update	12:08	21.08.2006	PORSCHE	PET	PORSCHE
911	73	6	02	602-00		203					

Pos	Part Number	Name	Remarks	Qty	Model	Pos	Part Number	Name	Remarks	Qty	Model
(24)	911 351 919 00	ventilation valve complete	-71 72- M M	4	911 T:M 911 E/S 911 S CARRERA 2.7 911 T-V/T-E 911 E	30	901 351 991 00	compensating line left front	-71 72- M M	2	911 T:M 911 E/S 911 S CARRERA 2.7 911 T-V/T-E 911 E
25	901 351 927 10	dust boot	-71 72-	2	911 T 911 T-V/T-E 911 E	(30)	901 351 992 00	compensating line right front	-71 72-	2	911 T:M 911 E/S 911 S CARRERA 2.7 911 T-V/T-E 911 E
(25)	901 351 927 10	dust boot	-71 72- M M	4	911 T:M 911 E/S 911 S CARRERA 2.7 911 T-V/T-E 911 E	31	911 352 950 04	set of brake pads without mounting parts for m calliper	M M	1	911 T/E
26	914 355 531 00	socket piece	-71 72-	2	911 T 911 T-V/T-E 911 E	31	911 351 950 07	set of brake pads without mounting parts for s-calliper aluminium		1	911 S 911 T/E:M CARRERA 2.7
(26)	914 355 531 00	socket piece	-71 72- M M	2	911 T:M 911 E/S 911 S CARRERA 2.7 911 T-V/T-E 911 E			- - - E N D - - -			
27	901 355 531 00	banjo bolt		2							
28	904 355 902 00	sealing ring outer	-71 72-	2	911 T 911 T-V/T-E 911 E						
(28)	900 123 005 22	sealing ring outer	-71 72- M M	2	911 T:M 911 E/S 911 S CARRERA 2.7 911 T-V/T-E 911 E						
29	904 355 904 00	sealing ring inner	-71 72-	2	911 T 911 T-V/T-E 911 E						
(29)	900 123 004 22	sealing ring inner	-71 72- M M	2	911 T:M 911 E/S 911 S CARRERA 2.7 911 T-V/T-E 911 E						

Model	Year	MG	SG	Illustration	Restrictions	Update	12:08	21.08.2006	PORSCHE	PET	PORSCHE
911	73	6	03	603-00		203					

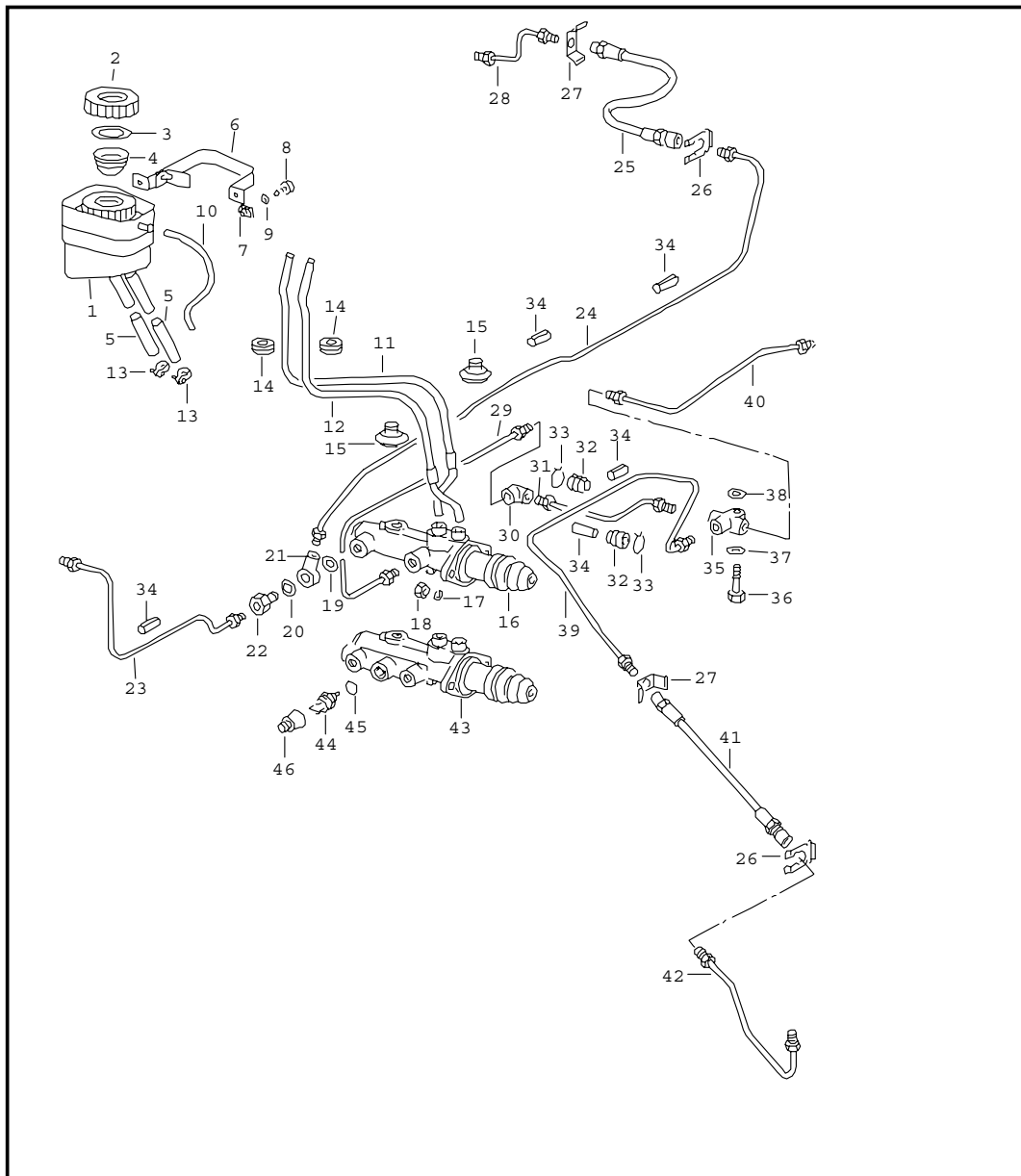


Pos	Part Number	Name	Remarks	Qty	Model
1	901 352 041 14	disc brake rear		2	
2	900 013 037 02	brake disc vented		4	
3	901 352 081 14	countersunk-head screw AM 6 X 12		2	
4	901 352 801 20	supporting plate	-71	2	
(4)	911 352 083 00	protective plate	72-	2	
5	914 352 085 00	supporting plate		2	
6	N 010 235 3	holder	-71	6	
7	N 012 241 1	hexagon-head bolt M 8 X 10	72-	2	
8	911 352 907 00	spring washer B 8 X 15	-71	6	
			72-	2	
8	911 352 907 00	fixed calliper (M) rear left without pad brake disc vented		1	
(8)	911 352 908 00	fixed calliper (M) rear right without pad brake disc vented		1	
9	900 083 023 02	hexagon-head bolt M 12 X 1,5 X 30	70-	4	
(9)	900 083 023 01	hexagon-head bolt M 12 X 1,5 X 30	71	4	
10	900 028 014 01	spring washer B 12		4	
11	901 352 978 12	pan-head screw		4	
12	901 352 978 13	pan-head screw		4	
13	901 352 979 10	hexagon nut		8	
14	901 351 928 10	sealing ring		8	
15	901 351 955 10	safety seal		4	

Model	Year	MG	SG	Illustration	Restrictions	Update	12:08	21.08.2006	PORSCHE	PET	PORSCHE
911	73	6	03	603-00		203					

Pos	Part Number	Name	Remarks	Qty	Model	Pos	Part Number	Name	Remarks	Qty	Model
16	901 352 991 01	retaining pin		4							
17	901 351 916 14	expanding spring		2							
18	-	clamping ring see group 6/98/00		X							
19	-	protection cap see group 6/98/00		X							
20	901 352 993 00	piston		4							
21	-	gasket see group 6/98/00		X							
22	901 352 977 10	ventilation valve		2							
23	901 351 927 10	dust boot		2							
24	911 352 950 04	set of brake pads without mounting parts		1							
25	911 352 097 10	brake shoe with pad without asbestos		4							
26	911 352 944 00	bush	-70	2							
(26)	911 352 944 00	bush	71-	2							
27	901 352 943 10	adjusting screw		2							
(27)	911 352 098 00	adjusting screw complete	71-	2							
28	911 352 098 00	adjusting screw	-70	2							
29	901 352 932 10	return spring		2							
30	901 352 954 10	return spring		2							
31	911 352 090 00	expanding bow		4							
32	901 352 953 10	compression spring		2							
33	901 352 959 10	roll pin		4							
34	901 352 957 10	compression spring		4							
35	901 352 955 10	concave washer		4							
		- - - E N D - - -									

Model	Year	MG	SG	Illustration	Restrictions	Update	12:08	21.08.2006	PORSCHE	PET	PORSCHE
911	73	6	04	604-00		203					



Pos	Part Number	Name	Remarks	Qty	Model
1	901 355 013 00	brake fluid reservoir brake master cylinder		1	
		brake fluid reservoir with cover	-70	1	
(1)	911 355 013 13	brake fluid reservoir with cover	71-	1	
2	901 355 905 00	cover	-70	1	
(2)	911 355 905 02	cover	71-	1	
3	901 355 908 00	gasket		1	
4	211 611 381 B	strainer		1	
5	901 355 927 02	hose piece 50 MM	/LL -70 71-	2	
(5)	901 355 927 01	hose piece 150 MM	/RL 71-	2	
6	901 355 015 00	retaining strap		1	
7	N 015 429 2	speed nut B 4,2		2	
8	900 143 007 02	oval-head sheetmetal screw B 4,2 X 13		2	
9	900 151 028 02	washer B 4,3		2	
10	999 181 204 40	hose overflow hose		*	
11	PCG 355 061 00	connecting line for brake circuit front	/LL	1	
(11)	901 355 644 00	line for brake circuit front	/RL	1	
-	901 355 927 02	hose piece 50 MM	/RL	1	
-	901 355 618 00	connecting piece	/RL	1	
12	PCG 355 063 00	connecting line for brake circuit rear	/LL	1	

Model	Year	MG	SG	Illustration	Restrictions	Update	12:08	21.08.2006	PORSCHE	PET	PORSCHE
911	73	6	04	604-00		203					

Pos	Part Number	Name	Remarks	Qty	Model	Pos	Part Number	Name	Remarks	Qty	Model
(12)	901 355 650 00	line for brake circuit rear	/RL	1		(26)	113 611 715 A	brake hose bracket	72-	4	
-	901 355 927 02	hose piece 50 MM	/RL	1		27	803 611 715	retainer spring		4	
-	901 355 618 00	connecting piece	/RL	1		28	914 355 603 00	brake line front		2	
13	999 512 055 02	hose clamp		2		29	901 355 612 00	connecting line	/LL	1	
14	999 702 076 50	rubber sleeve	/LL	2		(29)	901 355 624 00	connecting line	/RL -71	1	
(14)	999 702 076 50	rubber sleeve	/RL	4		(29)	911 355 643 01	brake line	/RL 72-	1	
15	999 702 065 50	rubber sleeve		2		30	901 355 615 00	angled pipe		1	
16	901 355 012 00	brake master cylinder		1		31	901 355 611 01	brake line	-71	1	
-	999 703 075 40	plug		1		(31)	911 355 611 01	brake line	72-	1	
17	900 027 015 02	lock ring B 8		2		32	914 355 651 00	rubber sleeve		2	
18	900 076 025 02	hexagon nut M 8		2		33	914 355 652 00	clamp		2	
19	904 355 904 00	gasket \$ 10 MM		1		34	914 355 691 00	hose piece		6	
20	904 355 902 00	gasket \$ 12 MM		2		35	914 355 667 00	distributor		1	
21	914 355 531 00	socket piece		1		36	900 075 017 02	hexagon-head bolt M 6 X 25		1	
22	914 355 534 00	banjo bolt		2		37	900 028 008 01	spring washer B 6		1	
23	901 355 619 00	brake line front left	/LL	1		38	900 151 006 09	washer B 6,4		1	
(23)	901 355 626 00	brake line front left	/RL	1		39	901 355 627 01	connecting line rear left	-71	1	
24	901 355 620 00	brake line front right	/LL	1		(39)	911 355 627 00	connecting line rear left	72-	1	911 T-E/E/S 911 T-V/T-K
(24)	901 355 628 00	brake line front right	/RL	1		(39)	911 355 627 01	connecting line rear left	72-	1	CARRERA 2.7
25	901 355 632 01	brake hose front		2		(39)	911 355 627 02	connecting line rear left F 91136 01409>>	72-	1	CARRERA 2.7
26	914 355 665 00	brake hose bracket	-71	4		40	901 355 653 00	connecting line rear right	-71	1	

Model	Year	MG	SG	Illustration	Restrictions	Update	12:08	21.08.2006	PORSCHE	PET	PORSCHE
911	73	6	04	604-00		203					

Pos	Part Number	Name	Remarks	Qty	Model	Pos	Part Number	Name	Remarks	Qty	Model
(40)	911 355 653 00	connecting line rear right	72-	1							
(40)	911 355 653 01	connecting line rear right F 91136 01409>>	72-	1	CARRERA 2.7						
41	901 355 631 01	brake hose rear 240 MM		2							
42	901 355 621 01	brake line rear left		1							
(42)	901 355 622 01	brake line rear right		1							
43	911 355 012 02	brake master cylinder with warning indicator	/LL	1							
44	901 613 115 00	warning contact	/LL	1							
45	999 701 343 40	o-ring	/LL	1							
46	914 613 491 00	protection cap	/LL	1							
		- - - E N D - - -									

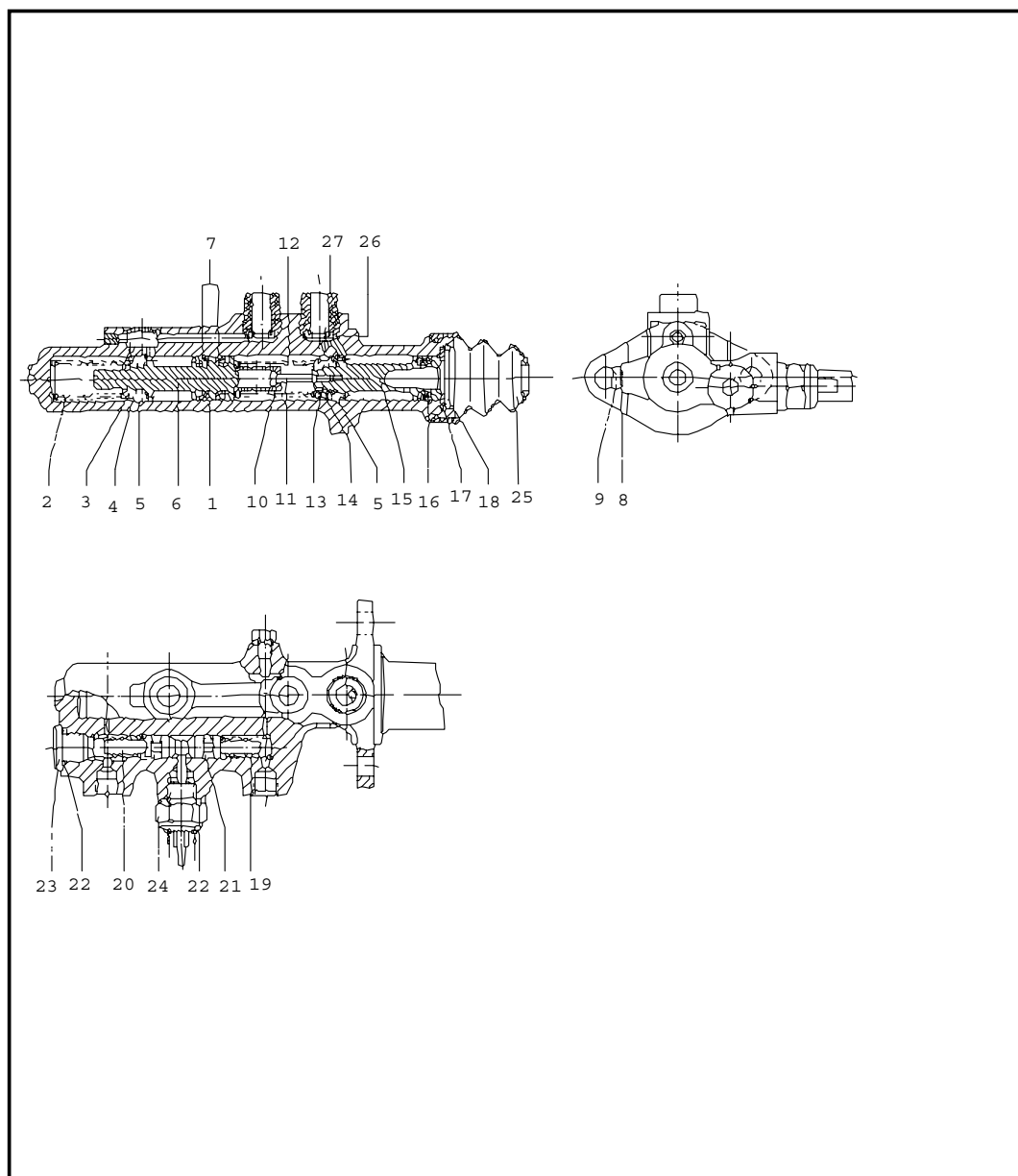
Model	Year	MG	SG	Illustration	Restrictions	Update	12:09	21.08.2006	PORSCHE	PET	PORSCHE
911	73	6	04	604-05		203					

		Pos	Part Number	Name	Remarks	Qty	Model	
				brake master cylinder \$ 19,05 without warning indicator single parts				
		-	901 355 012 00	brake master cylinder complete		1		
		1	-	housing		1		
		2	-	compression spring		1		
		3	-	concave washer		1		
		4 *	-	support ring		1		
		5 *	-	boot		2		
		6 *	-	piston with washer		1		
		7 *	-	boot		2		
		8 *	-	sealing ring		1		
		9	-	stop screw		1		
		10	-	sleeve				
		11	-	stop screw				
		12	-	compression spring				
		13	-	concave washer		1		
		14 *	-	support ring		1		
		15 *	-	piston with washer		1		
		16 *	-	boot		1		
		17	-	stop washer		1		
		18 *	-	circlip		1		
		19	901 355 924 00	protection cap		1		
20	901 355 936 00	washer		2				
21	901 355 929 00	plug		2				
-	901 355 930 00	repair kit see group 6/98/00		X				

Model	Year	MG	SG	Illustration	Restrictions	Update					
911	73	6	04	604-05		203	12:09	21.08.2006	PORSCHE	PET	PORSCHE

Pos	Part Number	Name	Remarks	Qty	Model	Pos	Part Number	Name	Remarks	Qty	Model
		- - - E N D - - -									

Model	Year	MG	SG	Illustration	Restrictions	Update	12:09	21.08.2006	PORSCHE	PET	PORSCHE
911	73	6	04	604-10		203					



Pos	Part Number	Name	Remarks	Qty	Model
		brake master cylinder \$ 19,05 with warning indicator single parts	/LL		
-	911 355 012 02	brake master cylinder complete		1	
1	-	housing		1	
2	-	compression spring		1	
3	-	concave washer		1	
4 *	-	support ring		1	
5 *	-	boot		2	
6 *	-	piston with washer		1	
7 *	-	boot		2	
8 *	-	sealing ring		1	
9	-	stop screw		1	
10	-	sleeve			
11	-	stop screw			
12	-	compression spring			
13	-	concave washer		1	
14 *	-	support ring		1	
15 *	-	piston with washer		1	
16 *	-	boot		1	
17	-	stop washer		1	
18 *	-	circlip		1	
19	-	compression spring		2	
20	-	piston		2	
21	-	boot		2	
22	999 701 343 40	o-ring		2	
23	-	threaded joint		1	

Model	Year	MG	SG	Illustration	Restrictions	Update	12:09	21.08.2006	PORSCHE	PET	PORSCHE
911	73	6	04	604-10		203					

Pos	Part Number	Name	Remarks	Qty	Model	Pos	Part Number	Name	Remarks	Qty	Model
24	901 613 115 00	warning contact		1							
25	901 355 924 00	protection cap		1							
26	901 355 936 00	washer		2							
27	901 355 929 00	plug		2							
-	901 355 930 00	repair kit see group 6/98/00		X							
		- - - E N D - - -									

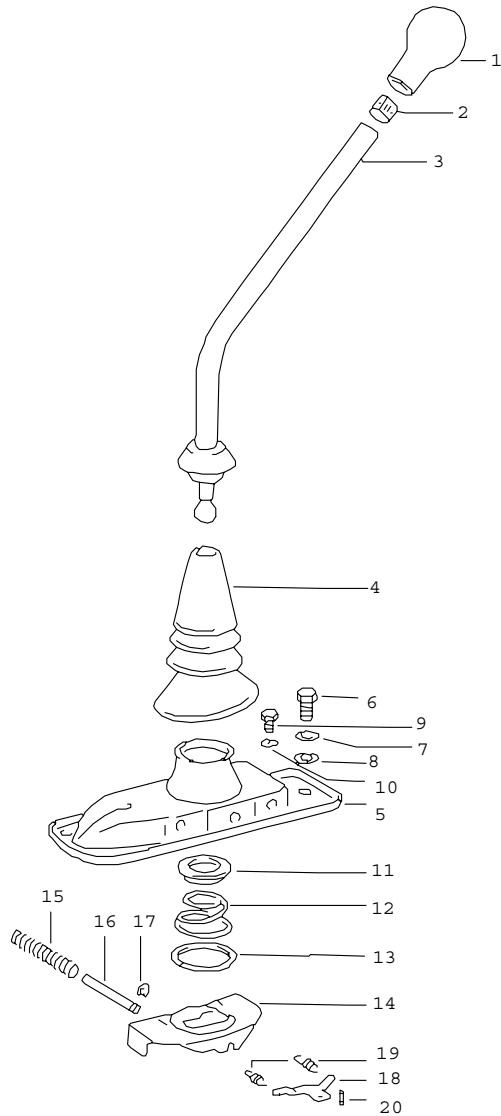
Model	Year	MG	SG	Illustration	Restrictions	Update	12:09	21.08.2006
911	73	6	98	698-00		203		

Pos	Part Number	Name	Remarks	Qty	Model
		repair kits			
		front axle			
>>	> 911 352 950 04	set of brake pads without mounting parts for m calliper	-71 72-	1	911 T 911 T-V/T-E 911 E
>>	> 911 351 950 07	set of brake pads without mounting parts for s-calliper aluminium	-71	1	911 S/E 911 T:M
>>	> 901 351 964 11	set of seals for m calliper comprising:	-71 72-	2	911 T 911 T-V/T-E 911 E
-	901 351 908 12	gasket for piston		2	
-	901 351 918 10	protection cap		2	
-	901 351 917 10	clamping ring		2	
-	901 351 955 10	safety seal		1	
-	901 351 955 10	safety seal		1	
>>	> 901 351 998 00	set of seals for s-calliper comprising:	-71 72-	2	911 E/S 911 T:M 911 S CARRERA 2.7 911 T-V:M 911 T-E/E:M
-	901 351 908 12	gasket for piston		2	
-	901 351 987 00	protection cap		2	
-	901 351 955 10	safety seal		2	
		rear axle			
>>	> 911 352 950 04	set of brake pads without mounting parts for m calliper		1	
>>	> 901 352 998 00	set of seals for m calliper		2	

Model	Year	MG	SG	Illustration	Restrictions	Update	12:09	21.08.2006
911	73	6	98	698-00		203		

Pos	Part Number	Name	Remarks	Qty	Model
-	901 352 908 12	gasket for piston		2	
-	901 352 998 00	set of seals		2	
-	901 352 988 00	clamping ring		2	
-	901 351 955 10	safety seal		1	
-	901 351 955 10	safety seal		1	
>>	> 901 355 930 00	repair kit for brake master cylinder \$ 19,05 with and without warning indicator comprising:		1	
-	901 355 931 00	piston		1	
-	914 355 911 00	boot		2	
-	901 355 934 00	piston		1	
-	911 355 915 00	boot		1	
-	901 355 949 00	sealing ring		1	
-	911 355 917 00	circlip		1	
-	901 355 924 00	protection cap		1	
		- - - E N D - - -			

Model	Year	MG	SG	Illustration	Restrictions	Update	12:09	21.08.2006	PORSCHE	PET	PORSCHE
911	73	7	01	701-00		203					



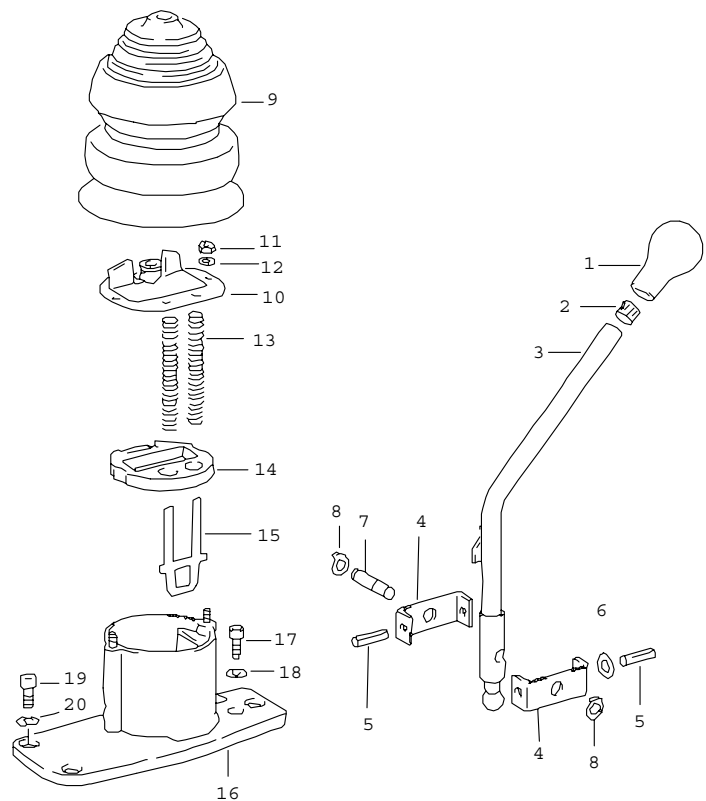
Pos	Part Number	Name	Remarks	Qty	Model
		gearshift lever transmission control 4th/5th gear model year -71/72-			
1	901 424 013 00	gearshift knob 4-speed	-71	1	911 T 911 E/S:M
(1)	901 424 014 00	gearshift knob 5-speed	-71	1	911 E/S 911 T:M
(1)	911 424 069 01	gearshift knob 4-speed	72-	1	
(1)	911 424 071 01	gearshift knob 5-speed	72-	1	
2	999 532 001 00	spacer		1	
3	914 424 016 00	gearshift lever	-71	1	
(3)	914 424 016 00	gearshift lever	72-	1	
4	914 424 901 00	sleeve		1	
5	901 424 015 02	gearshift bracket	-71	1	
(5)	914 424 019 00	gearshift bracket 4-speed	72-	1	
(5)	911 424 019 04	gearshift bracket 5-speed	72-	1	
6	900 075 078 02	hexagon-head bolt M 8 X 15		3	
7	900 027 015 02	lock ring B 8		3	
8	900 025 007 02	washer 8,4		1	
9	N 010 210 13	hexagon-head bolt M 6 X 10		2	
10	900 028 008 01	spring washer B 6		2	
11	901 424 132 00	guide for compression spring		1	
12	914 424 131 00	compression spring		1	
13	901 424 135 00	guide ring		1	
14	901 424 017 00	stop plate		1	

Model	Year	MG	SG	Illustration	Restrictions	Update	12:09	21.08.2006	PORSCHE	PET	PORSCHE
911	73	7	01	701-00		203					

Pos	Part Number	Name	Remarks	Qty	Model	Pos	Part Number	Name	Remarks	Qty	Model
(14)	911 424 061 00	stop plate 4-speed		1							
(14)	911 424 061 00	stop plate 5-speed		1							
15	901 424 133 00	compression spring	-71	2							
15	911 424 133 03	compression spring	72-	2							
16	901 424 115 00	pin		2							
17	N 012 435 1	washer		4							
18	911 424 137 00	pawl 5-speed	72-	1							
19	911 424 134 00	return spring 5-speed	72-	2							
20	900 308 013 00	roll pin 3 X 10 5-speed	72-	1							
		- - - E N D - - -									

Model	Year	MG	SG	Illustration	Restrictions	Update	12:10	21.08.2006	PORSCHE	PET	PORSCHE
911	73	7	01	701-05		203					

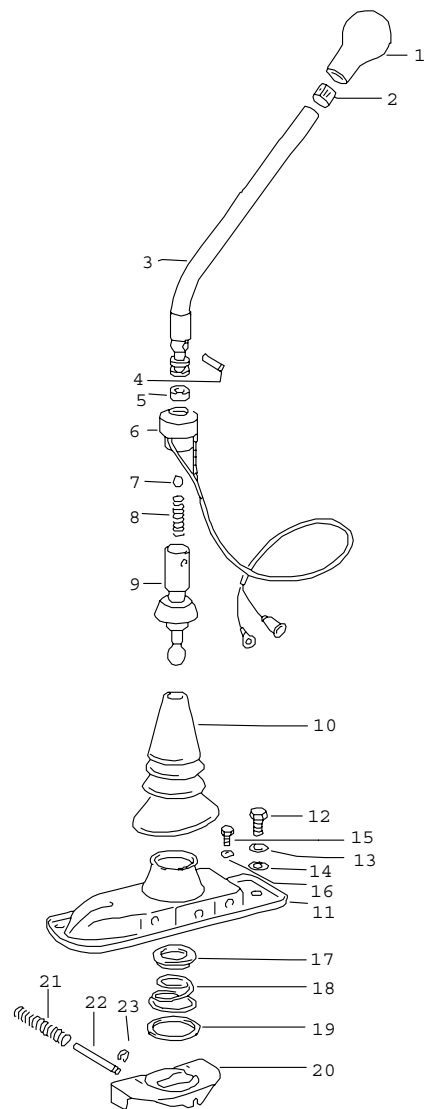
Pos	Part Number	Name	Remarks	Qty	Model
		gearshift lever transmission control 4th/5th gear model year -73-			
1	911 424 069 01	gearshift knob 4-speed		1	
(1)	911 424 071 01	gearshift knob 5-speed		1	
2	999 532 001 00	spacer		1	
3	911 424 017 05	gearshift lever		1	
4	911 424 123 03	fork		2	
5	900 197 035 01	tensioning sleeve 8 X 28		2	
6	911 424 187 00	shim 0,1 MM		X	
(6)	911 424 187 01	shim 0,2 MM		X 1	
7	911 424 129 06	pin		1	
8	999 166 027 02	circlip		2	
9	911 424 181 01	sleeve		1	
10	911 424 063 04	carrier plate 4-speed		1	
(10)	911 424 063 02	plate 5-speed		1	
11	900 076 010 02	hexagon nut M 6		2	
12	900 027 014 01	lock ring B 6		2	
13	911 424 131 01	compression spring		2	
14	911 424 147 00	buffer plate		1	
15	911 424 144 00	guide plate		1	
16	911 424 019 05	gearshift bracket		1	
17	900 067 011 02	pan-head screw M 6 X 20		2	
18	900 028 008 01	spring washer B 6		2	



Model	Year	MG	SG	Illustration	Restrictions	Update	12:10	21.08.2006	PORSCHE	PET	PORSCHE
911	73	7	01	701-05		203					

Pos	Part Number	Name	Remarks	Qty	Model	Pos	Part Number	Name	Remarks	Qty	Model
19	900 067 057 02	pan-head screw M 8 X 20		3							
20	N 012 241 1	spring washer B 8		3							
		- - - E N D - - -									

Model	Year	MG	SG	Illustration	Restrictions	Update	12:10	21.08.2006	PORSCHE	PET	PORSCHE
911	73	7	01	701-10		203					

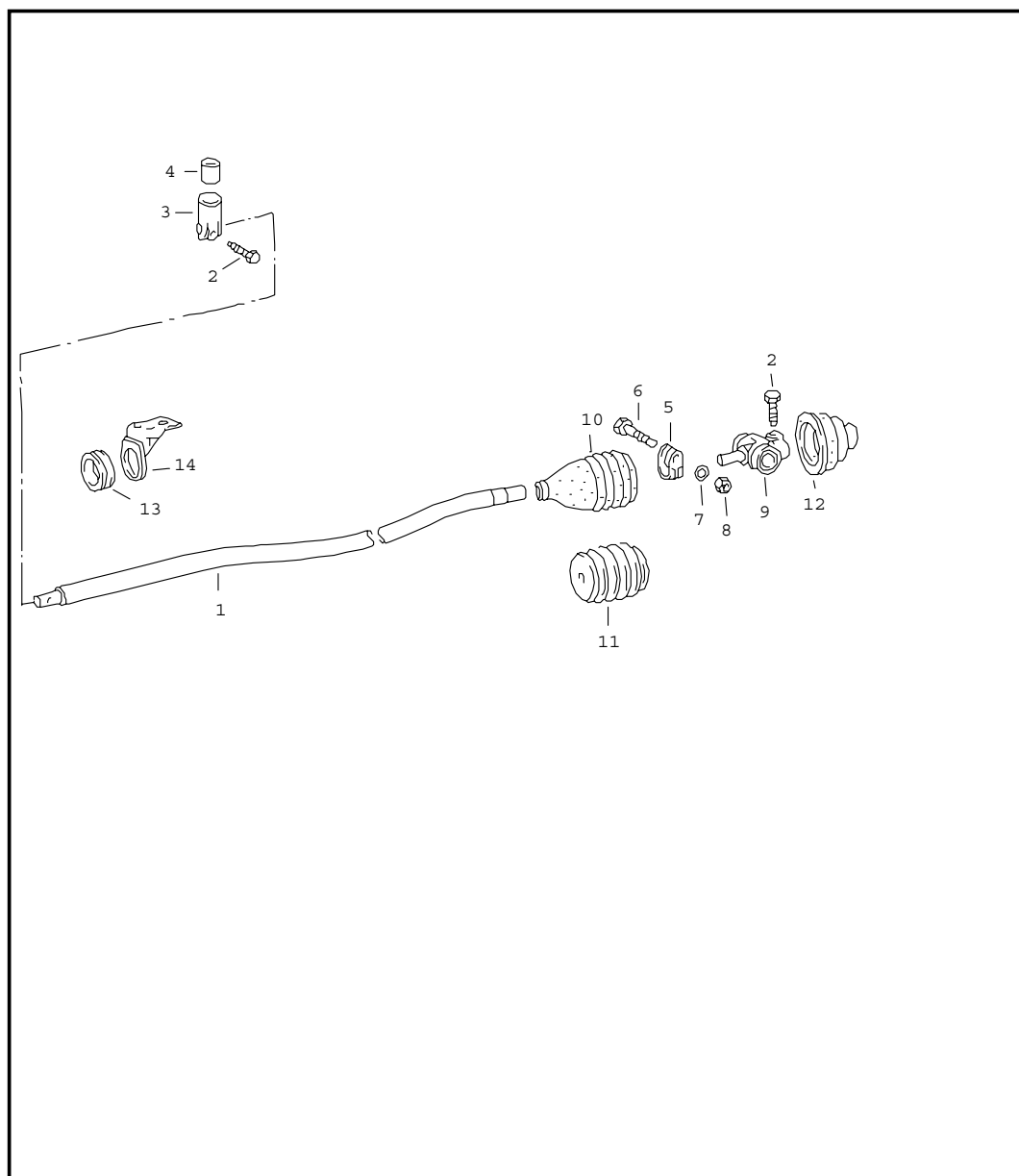


Pos	Part Number	Name	Remarks	Qty	Model
		gearshift lever sportomatic			SPM
1	911 424 077 01	gearshift knob 4-speed		1	
2	999 532 001 00	spacer		1	
3	905 424 023 02	gearshift lever	/LL	1	
(3)	905 424 026 00	gearshift lever	/RL	1	
4	905 424 107 02	straight pin		1	
5	905 424 234 02	stop ring		1	
6	905 613 039 00	contacts		1	
7	900 108 012 00	ball 10 MM		1	
8	905 424 111 02	compression spring		1	
9	905 424 024 02	lower part gearshift lever		1	
10	914 424 901 00	sleeve		1	
11	901 424 015 02	gearshift bracket		1	
12	900 075 078 02	hexagon-head bolt M 8 X 15		3	
13	900 027 015 02	lock ring B 8		3	
14	900 025 007 02	washer 8,4		1	
15	N 010 210 13	hexagon-head bolt M 6 X 10		2	
16	900 028 008 01	spring washer B 6		2	
17	901 424 132 00	guide for compression spring		1	
18	914 424 131 00	compression spring		1	
19	901 424 135 00	guide ring		1	
20	901 424 017 00	stop plate		1	
21	901 424 133 00	compression spring		2	
22	901 424 115 00	pin		2	

Model	Year	MG	SG	Illustration	Restrictions	Update	12:10	21.08.2006	PORSCHE	PET	PORSCHE
911	73	7	01	701-10		203					

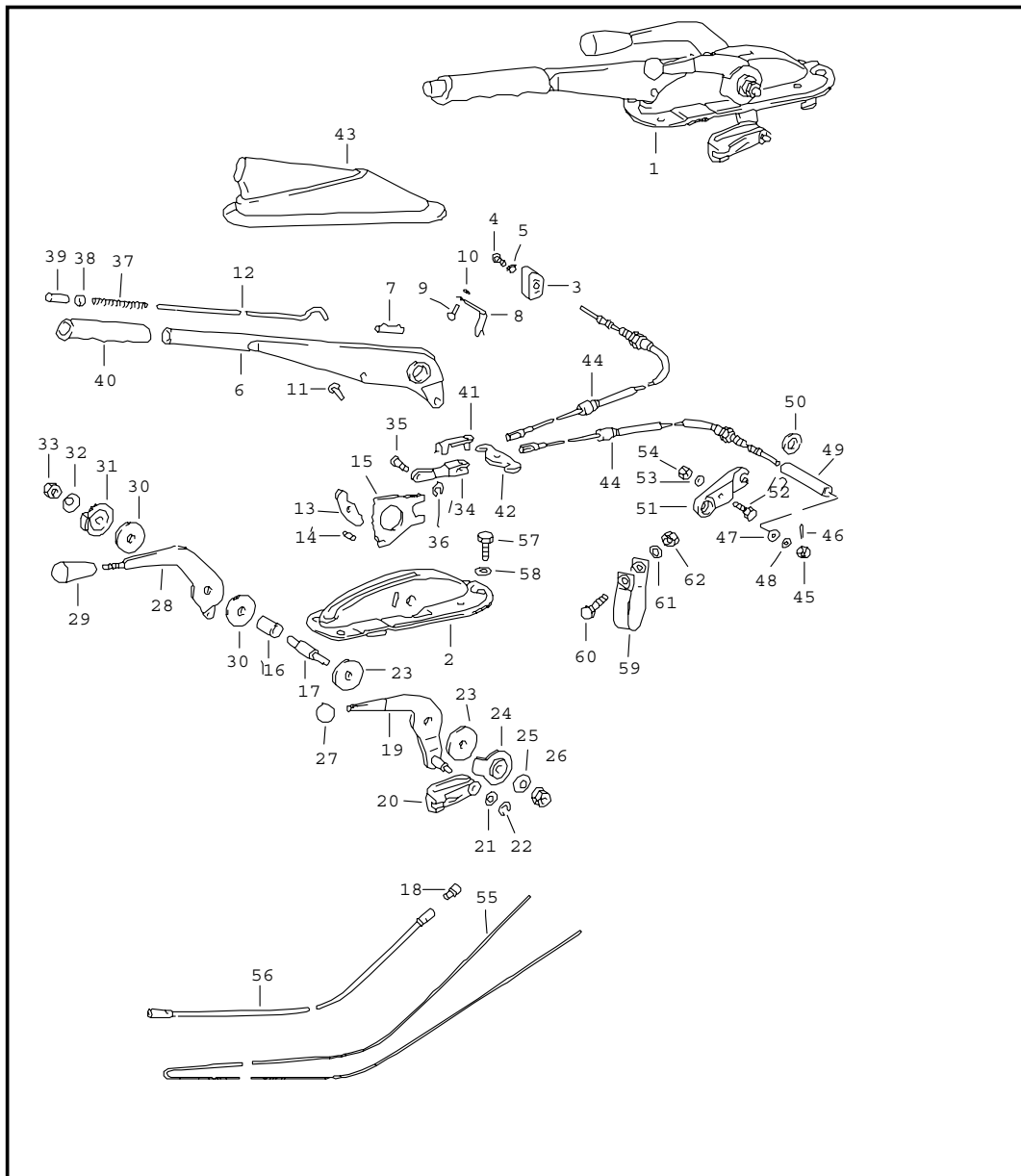
Pos	Part Number	Name	Remarks	Qty	Model	Pos	Part Number	Name	Remarks	Qty	Model
23	N 012 435 1	washer		4							
		- - - E N D - - -									

Model	Year	MG	SG	Illustration	Restrictions	Update	12:10	21.08.2006	PORSCHE	PET	PORSCHE
911	73	7	01	701-15		203					



Pos	Part Number	Name	Remarks	Qty	Model
		gear shift rod and shift rod coupling			
1	901 424 021 01	gear shift rod	-71	1	
(1)	911 424 020 00	gear shift rod sportomatic only TYP 925	72-	1	
(1)	901 424 021 01	gear shift rod TYP 905	72-	1	SPM
2	901 424 229 00	conical screw		2	
3	930 424 241 00	head shift rod		1	
4	911 424 139 00	ball socket		1	
5	914 424 214 00	clamp		1	
6	N 010 335 5	hexagon-head bolt M 8 X 35		1	
7	999 523 102 02	lock washer 8		1	
8	900 076 025 02	hexagon nut M 8		1	
9	911 424 024 04	shift rod coupling		1	
10	901 424 292 01	sleeve inner	-71	1	
10	911 424 292 00	sleeve inner sportomatic only TYP 925	72-	1	
11	901 424 292 01	sleeve inner TYP 905	72-	1	SPM
12	901 424 293 00	sleeve outer	-71	1	
(12)	911 424 294 00	sleeve outer	72-	1	
13	914 424 224 00	friction ring		1	
14	930 424 031 00	bearing bracket		1	
- - - E N D - - -					

Model	Year	MG	SG	Illustration	Restrictions	Update	12:10	21.08.2006	PORSCHE	PET	PORSCHE
911	73	7	01	701-20		203					



Pos	Part Number	Name	Remarks	Qty	Model
		handbrake manual throttle heating actuator			
1	901 424 051 02	parking-brake lever complete	-71	1	
(1)	911 424 051 01	parking-brake lever complete	72-	1	
2	901 424 058 02	bearing bracket		1	
3	901 613 521 20	contact switch for indicator light handbrake see group 9/03/10	-71	1	
(3)	911 613 165 00	contact switch for indicator light handbrake see group 9/03/10	72-	1	
4	900 015 025 02	oval-head screw AM 4 X 15		1	
5	N 012 116 1	serrated lock washer A 4,3		1	
6	911 424 059 00	parking-brake lever		1	
7	901 424 509 01	stop		1	
8	901 613 523 20	contact bow for indicator light handbrake see group 9/03/10		1	
9	900 055 001 20	rivet 2,6 X 6		1	
10	900 031 012 10	washer 2,8		1	
11	900 206 003 00	tubular rivet 5 X 0,5 X 10		1	
12	901 424 567 03	push rod		1	
13	901 424 508 00	pawl		1	
14	901 424 511 00	bolt		1	

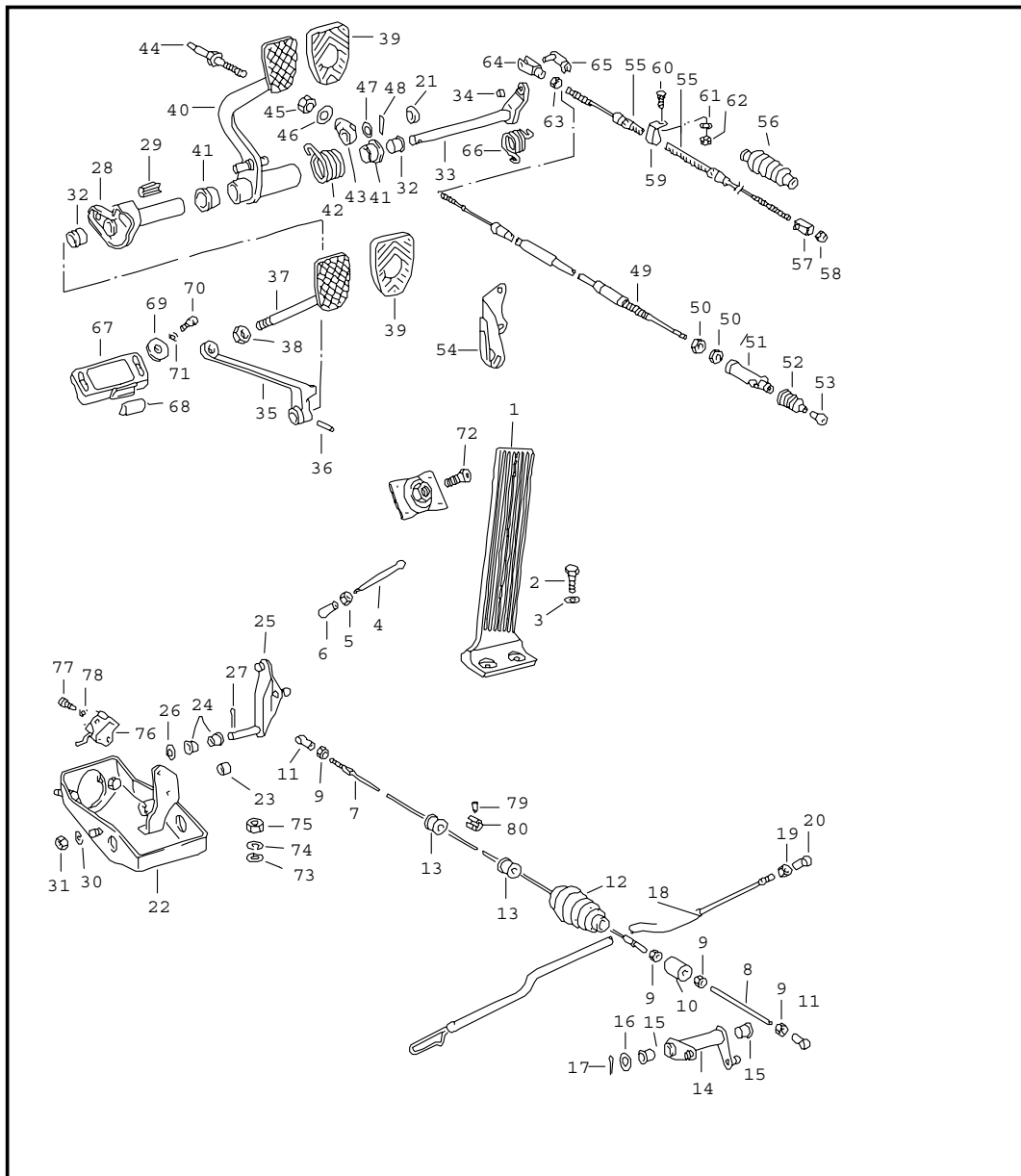
Model	Year	MG	SG	Illustration	Restrictions	Update	12:10	21.08.2006	PORSCHE	PET	PORSCHE
911	73	7	01	701-20		203					

Pos	Part Number	Name	Remarks	Qty	Model	Pos	Part Number	Name	Remarks	Qty	Model
15	914 424 541 00	locking segment		1		35	999 166 010 02	bolt A6 X 16 X 13		2	
16	901 424 513 00	spacer sleeve		1		36	999 166 008 02	kl-lock 6 ESN 09		1	
17	901 424 519 00	bolt		1		37	901 424 543 00	compression spring		1	
18	914 504 319 00	grommet		2		38	901 424 593 01	ring		1	
19	901 424 037 00	lever for manual throttle		1		39	901 424 523 01	push button		1	
20	901 424 317 00	valve lever		1		40	901 424 521 01	handle		1	
21	N 011 524 7	washer 6,4		1		41	999 166 001 02	bolt 6 X 24		1	
22	N 012 435 1	washer 5		1		42	901 424 568 00	compensating piece		1	
23	911 424 737 00	washer		2		43	923 424 591 00	sleeve		1	
24	911 424 735 04	lamina		1		44	901 424 551 13	parking-brake cable		2	
25	999 523 006 00	cup spring		2		45	900 079 012 02	castle nut M 6		2	
26	999 084 019 02	hexagon nut M 8		1		46	N 012 507 1	cotter pin 1,5 X 15		2	
27	901 424 323 00	handle manual throttle	-71	1		47	900 151 006 09	washer B 6,4		2	
27	901 424 323 00	handle manual throttle	72-	1		48	N 011 524 7	washer 6,4		X	
28	901 424 711 03	lever for heating	-71	1		49	901 424 557 01	spacer tube		2	
28	901 424 711 03	lever for heating	72-	1		51	901 424 561 01	guide left		1	
29	914 424 792 01	handle	-71	1		(51)	901 424 562 01	guide right		1	
29	914 424 792 01	handle	72-	1		52	900 075 014 02	hexagon-head bolt M 6 X 18		2	
30	911 424 737 00	washer		2		53	900 028 008 01	spring washer B 6		2	
31	911 424 735 04	lamina		1		54	900 076 010 02	hexagon nut M 6		2	
32	999 523 006 00	cup spring		1		55	901 424 701 05	wire pull for heating		1	
33	999 084 019 02	hexagon nut M 8		1		56	901 424 704 01	guide		2	
34	901 424 569 01	fork		1							

Model	Year	MG	SG	Illustration	Restrictions	Update	12:10	21.08.2006	PORSCHE	PET	PORSCHE
911	73	7	01	701-20		203					

Pos	Part Number	Name	Remarks	Qty	Model	Pos	Part Number	Name	Remarks	Qty	Model
57	900 075 078 02	hexagon-head bolt M 8 X 15		3							
58	900 027 015 02	lock ring B 8		3							
59	999 706 009 80	suspension strap	-71	1							
59	999 706 012 80	suspension strap	72-	1							
60	900 075 057 02	hexagon-head bolt M 6 X 16		1							
61	900 028 008 01	spring washer B 6		1							
62	900 076 010 02	hexagon nut M 6		1							
		- - - E N D - - -									

Model	Year	MG	SG	Illustration	Restrictions	Update	12:10	21.08.2006	PORSCHE	PET	PORSCHE
911	73	7	02	702-00		203					



Pos	Part Number	Name	Remarks	Qty	Model
		pedals for cars with manual transmission	/LL		
1	901 423 010 00	accelerator pedal		1	
2	N 010 215 13	hexagon-head bolt M 6 X 15		2	
3	900 151 006 09	washer B 6,4		2	
4	914 423 227 00	push rod		1	
5	900 076 027 02	hexagon nut M 5		2	
6	N 015 521 3	ball socket A 8		2	
7	PCG 423 024 00	throttle linkage		1	
8	901 423 223 01	extension rod		2	
9	900 076 027 02	hexagon nut M 5		4	
10	911 423 081 02	connecting piece		1	911 T
(10)	911 423 081 02	connecting piece		1	911 E/S CARRERA 2.7
11	N 015 521 3	ball socket A 8		2	
12	911 423 593 01	sealing sleeve		1	
13	901 423 227 00	bush		3	
14	901 423 027 03	reverse lever	-71	1	
(14)	911 423 017 01	reverse lever	72-	1	
15	914 423 211 00	bush		2	
16	900 025 008 02	washer 10,5		1	
17	N 012 530 1	cotter pin 3 X 15		1	
18	901 423 026 03	throttle linkage	-71	1	
(18)	PCG 423 016 00	throttle linkage	72-	1	911 T-V/E/S CARRERA 2.7
(18)	911 423 043 00	throttle linkage	72-	1	911 T-K

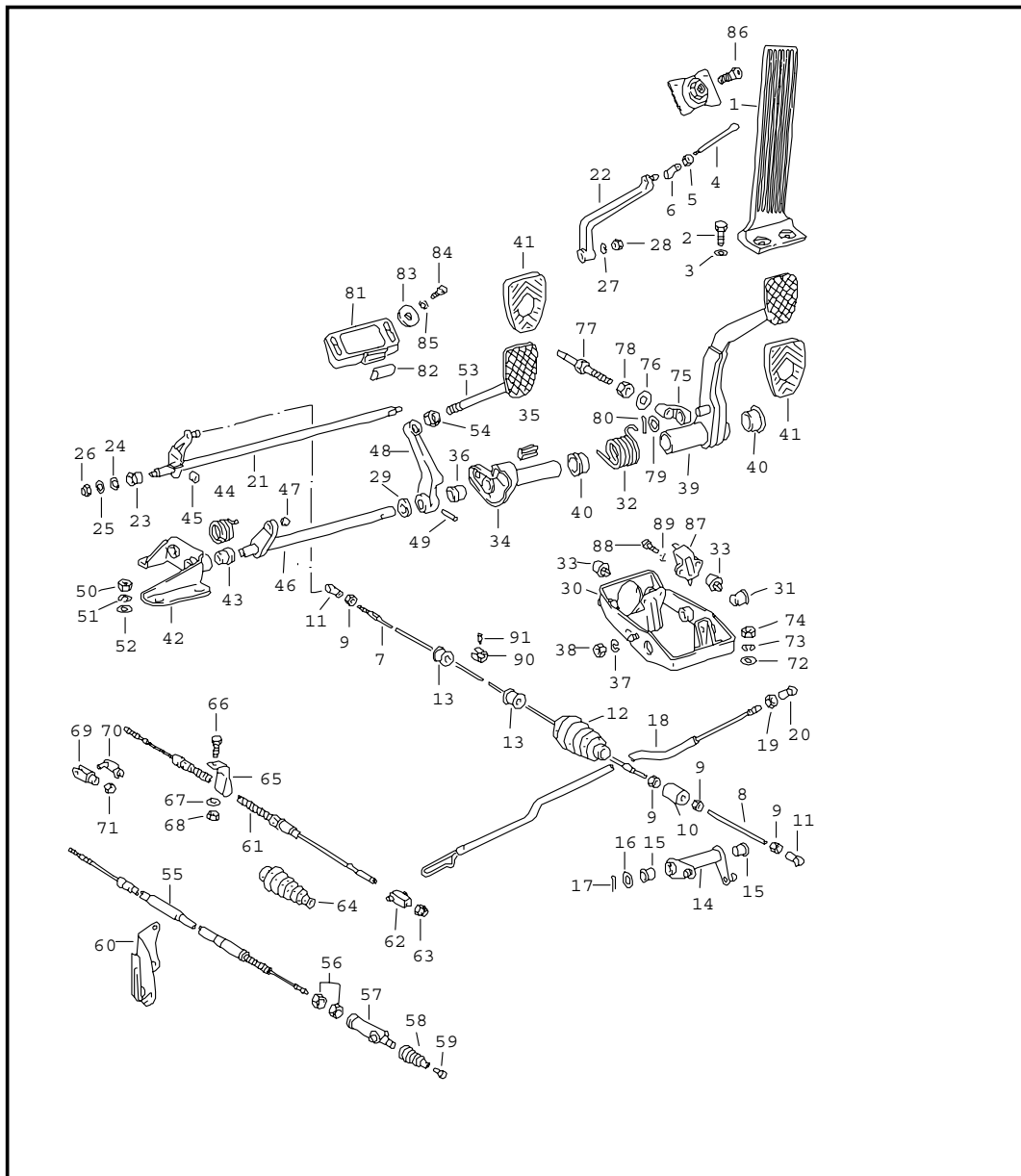
Model	Year	MG	SG	Illustration	Restrictions	Update	12:10	21.08.2006	PORSCHE	PET	PORSCHE
911	73	7	02	702-00		203					

Pos	Part Number	Name	Remarks	Qty	Model	Pos	Part Number	Name	Remarks	Qty	Model
19	900 076 027 02	hexagon nut M 5		1		38	900 183 002 02	hexagon nut M 14 X 1,5		1	
20	N 015 521 3	ball socket A 8	-70	1		39	914 423 210 00	rubber pad		2	
(20)	911 423 147 00	ball socket	71-	1		40	901 423 053 02	brake pedal		1	
21	911 423 219 03	spacer sleeve		1		41	911 423 542 00	bush		2	
22	911 423 065 02	bearing bracket		1		42	901 423 531 00	return spring		1	
23	901 423 193 00	rubber stop		1		43	901 423 507 02	intermediate piece		1	
24	901 423 253 00	bearing sleeve		2		44	901 423 057 04	piston rod		1	
25	901 423 250 02	reverse lever front		1		45	900 158 003 02	hexagon nut M 10		1	
26	900 031 001 02	washer 8,4		1		46	901 423 157 00	stop washer		1	
27	900 021 008 00	cotter pin 2 X 15		1		47	N 011 564 2	washer 13		1	
28	901 423 035 00	bearing tube		1		48	900 021 015 00	cotter pin 3 X 20		1	
29	901 423 391 00	rubber stop		1		49	911 423 210 01	clutch cable	-71	1	
30	900 027 015 02	lock ring B 8		3		50	900 078 019 02	hexagon nut	-71	2	
31	N 011 151 3	hexagon nut M 8		1		51	911 423 212 00	articulated piece	-71	1	
32	911 423 341 01	bush	-71	2		52	914 423 922 02	sealing sleeve	-71	1	
(32)	911 423 341 01	bush	72-	2		53	911 423 213 00	nipple	-71	1	
33	911 423 027 00	clutch pedal shaft	-71	2		54	911 423 215 00	guide	-71	1	
(33)	911 423 027 01	clutch pedal shaft	72-	2		55	911 423 401 00	clutch cable	72-	1	
34	901 423 343 00	bush		1		56	914 423 922 02	sealing sleeve	72-	1	
-	911 423 219 03	spacer sleeve		1		57	911 423 205 03	lever	72-	1	
35	901 423 312 00	clutch pedal lower part		1		58	N 011 007 3	hexagon nut	72-	1	
36	900 309 002 00	roll pin S 6 X 28	-71	1		59	999 706 009 80	suspension strap	72-	1	
(36)	900 309 002 00	clamping pin 6 X 28	72-	1		60	900 075 057 02	hexagon-head bolt	72-	1	
37	901 423 033 00	clutch pedal upper part		1		61	900 028 008 01	spring washer	72-	1	
						62	900 076 010 02	hexagon nut M 6	72-	1	
						63	900 076 010 02	hexagon nut M 6		1	

Model	Year	MG	SG	Illustration	Restrictions	Update	12:10	21.08.2006	PORSCHE	PET	PORSCHE
911	73	7	02	702-00		203					

Pos	Part Number	Name	Remarks	Qty	Model	Pos	Part Number	Name	Remarks	Qty	Model
64	900 166 002 02	clevis G 6 X 24		1		-	911 423 437 00	protection cap		1	CARRERA 2.7
55	999 166 001 02	bolt		1				- - - E N D - - -			
66	901 423 317 00	spring		1							
67	901 423 360 00	stop for clutch pedal		1							
68	901 423 391 00	rubber stop 30 MM		1							
69	901 423 368 00	desk pad		2							
70	900 119 025 02	pan-head screw M 5 X 15		2							
71	N 012 130 2	shake-proof washer A 5,3		2							
72	901 551 671 20	hexagon-head bolt		1							
73	900 025 007 02	washer 8,4		2							
74	900 027 015 02	lock ring B 8		2							
75	900 076 025 02	hexagon nut M 8		2							
76	911 613 411 00	stop light switch		1							
77	900 146 011 02	oval-head screw AM 4 X 10		2							
78	900 114 014 01	shake-proof washer A 4,3		2							
79	901 424 319 00	screw nipple		1							
80	N 013 114 1	pin		1							
-	911 423 355 01	spring		1	CARRERA 2.7						
-	900 918 001 01	snap ring A 12		1	CARRERA 2.7						
-	911 423 367 00	pin		2	CARRERA 2.7						
-	911 423 431 00	bolt		1	CARRERA 2.7						
-	911 423 433 00	spring		1	CARRERA 2.7						
-	911 423 435 00	concave washer		1	CARRERA 2.7						

Model	Year	MG	SG	Illustration	Restrictions	Update	12:11	21.08.2006	PORSCHE	PET	PORSCHE
911	73	7	02	702-05		203					



Pos	Part Number	Name	Remarks	Qty	Model
		pedals for cars with manual transmission	/RL		
1	901 423 010 00	accelerator pedal		1	
2	N 010 215 13	hexagon-head bolt M 6 X 15		2	
3	900 151 006 09	washer B 6,4		2	
4	914 423 227 00	push rod		1	
5	900 076 027 02	hexagon nut M 5		2	
6	N 015 521 3	ball socket A 8		2	
7	PCG 423 024 00	throttle linkage		1	
8	901 423 223 01	extension rod		2	
9	900 076 027 02	hexagon nut M 5		4	
10	911 423 081 02	connecting piece		1	911 T
(10)	911 423 081 02	connecting piece		1	911 E/S
11	N 015 521 3	ball socket A 8		2	
12	911 423 593 01	sealing sleeve		1	
13	901 423 227 00	bush		2	
14	901 423 027 03	reverse lever	-71	1	
(14)	911 423 017 01	reverse lever	72-	1	
15	914 423 211 00	bush		2	
16	900 025 008 02	washer 10,5		1	
17	N 012 530 1	cotter pin 3 X 15		1	
18	901 423 026 03	throttle linkage	-71	1	
(18)	PCG 423 016 00	throttle linkage not for 911 T-K	72-	1	
(18)	911 423 043 00	throttle linkage	72-	1	911 T-K

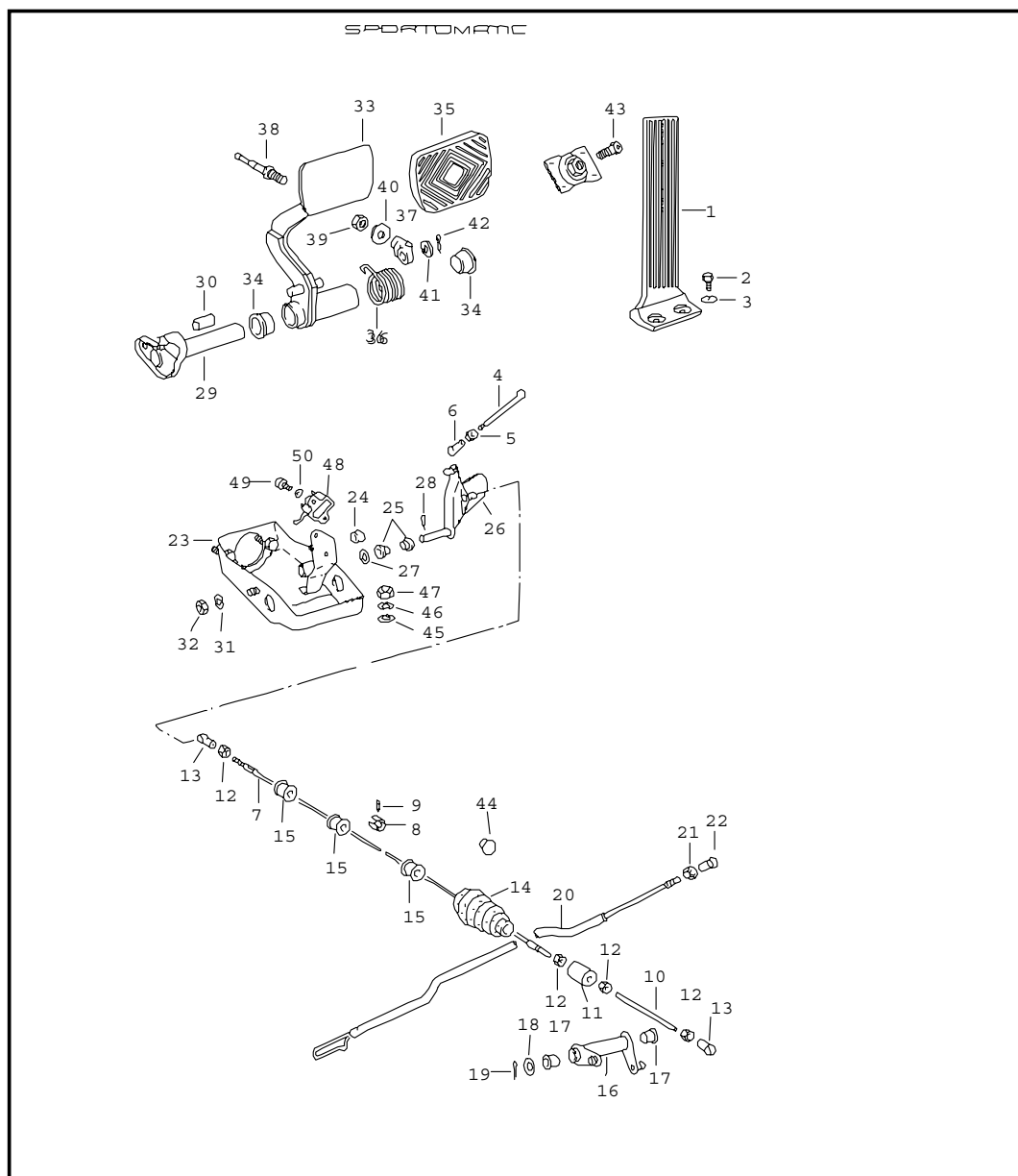
Model	Year	MG	SG	Illustration	Restrictions	Update	12:11	21.08.2006	PORSCHE	PET	PORSCHE
911	73	7	02	702-05		203					

Pos	Part Number	Name	Remarks	Qty	Model	Pos	Part Number	Name	Remarks	Qty	Model
19	900 076 027 02	hexagon nut M 5		1		41	914 423 210 00	rubber pad		2	
20	N 015 521 3	ball socket A 8	-70	1		42	901 423 013 00	bearing bracket left		1	
(20)	911 423 147 00	ball socket	71-	1		43	911 423 341 01	bush		1	
21	901 423 556 00	shaft for accelerator control		1		44	901 423 318 00	spring		1	
22	901 423 022 00	lever		1		45	901 423 193 00	rubber stop		1	
23	914 423 211 00	bearing sleeve		1		46	911 423 028 00	clutch pedal shaft	-71	1	
24	911 423 225 00	washer		3		(46)	911 423 028 04	clutch pedal shaft	72-	1	
25	900 151 006 09	washer B 6,4		1		47	901 423 343 00	bush		1	
26	900 084 010 02	hexagon nut M 6		1		48	901 423 314 00	clutch pedal lower part		1	
27	900 028 008 01	spring washer B 6		1		49	900 309 002 00	roll pin S 6 X 28	-71	1	
28	900 076 010 02	hexagon nut M 6		1		(49)	900 309 002 00	clamping pin	72-	1	
29	911 423 219 03	spacer sleeve		1		50	900 076 025 02	hexagon nut M 8		3	
30	911 423 066 00	bearing bracket		1		51	900 027 015 02	lock ring B 8		3	
31	914 423 211 00	bush		1		52	900 025 007 02	washer 8,4		3	
32	901 423 532 00	return spring		1		53	911 423 078 00	clutch pedal upper part		1	
33	901 423 528 00	rubber stop		1		54	900 183 002 02	hexagon nut M 14 X 1,5		1	
34	901 423 034 00	bearing tube		1		55	911 423 210 01	clutch cable	-71	1	
35	901 423 391 00	rubber stop		1		56	900 078 019 02	hexagon nut	-71	2	
36	911 423 341 01	bush	-71	2		57	911 423 212 00	articulated piece	-71	1	
(36)	911 423 341 01	bush	72-	2		58	914 423 922 02	sealing sleeve	-71	1	
37	900 027 015 02	lock ring B 8		3		59	911 423 213 00	nipple	-71	1	
38	N 011 151 3	hexagon nut M 8		1		60	911 423 215 00	guide	-71	1	
39	901 423 054 01	brake pedal		1		61	911 423 401 00	clutch cable	72-	1	
40	911 423 542 00	bush		2		62	911 423 205 03	lever	72-	1	
						63	N 011 007 3	hexagon nut	72-	1	

Model	Year	MG	SG	Illustration	Restrictions	Update	12:11	21.08.2006	PORSCHE	PET	PORSCHE
911	73	7	02	702-05		203					

Pos	Part Number	Name	Remarks	Qty	Model	Pos	Part Number	Name	Remarks	Qty	Model
64	914 423 922 02	sealing sleeve	72-	1		85	N 012 130 2	shake-proof washer A 5,3		2	
65	999 706 009 80	suspension strap	72-	1		86	901 551 671 20	hexagon-head bolt		1	
66	900 075 057 02	hexagon-head bolt M 6	72-	1		87	911 613 411 00	stop light switch	-71	1	
67	900 028 008 01	spring washer B 6	72-	1		(87)	911 613 411 00	stop light switch	72-	1	
68	900 076 010 02	hexagon nut M 6	72-	1		88	900 146 011 02	oval-head screw AM 4 X 10		2	
69	900 166 002 02	clevis G 6 X 24		1		89	900 114 014 01	shake-proof washer A 4,3		2	
70	999 166 001 02	bolt		1		90	901 424 319 00	screw nipple		1	
71	N 011 007 3	hexagon nut M 7		1		91	N 013 114 1	pin		1	
72	900 025 007 02	washer 8,4		2							
73	900 027 015 02	lock ring B 8		2							
74	900 076 025 02	hexagon nut M 8		2							
75	901 423 507 02	intermediate piece		1							
76	901 423 157 00	stop washer		1							
77	901 423 057 04	piston rod		1							
78	900 158 003 02	hexagon nut M 10		1							
79	N 011 564 2	washer 13		1							
80	900 021 015 00	cotter pin 3 X 20		1							
81	901 423 360 00	stop for clutch pedal		1							
82	901 423 391 00	rubber stop 30 MM		1							
83	901 423 368 00	desk pad		2							
84	900 119 025 02	pan-head screw M 5 X 15		2							
								- - - E N D - - -			

Model	Year	MG	SG	Illustration	Restrictions	Update	12:11	21.08.2006	PORSCHE	PET	PORSCHE
911	73	7	02	702-10		203					

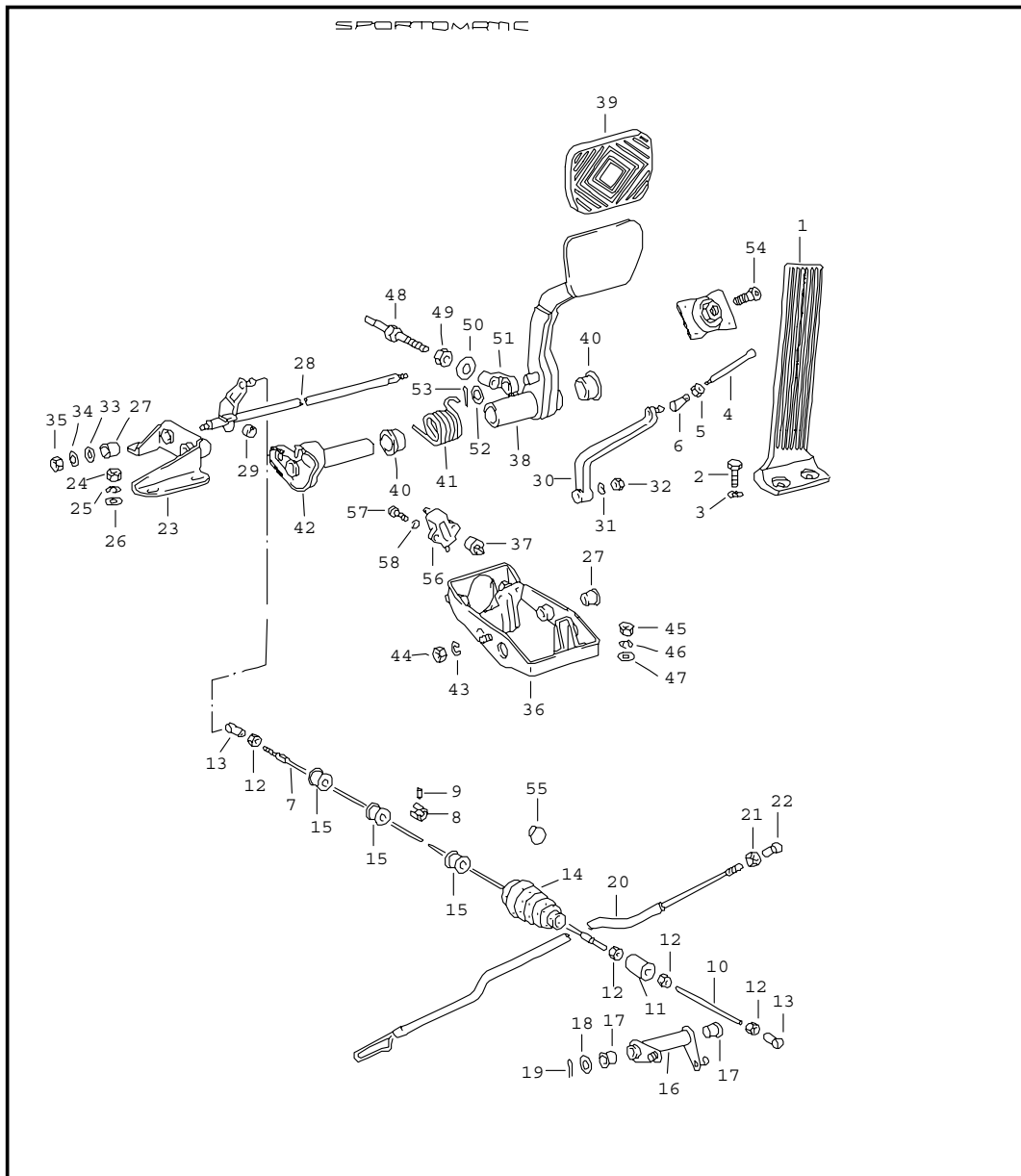


Pos	Part Number	Name	Remarks	Qty	Model
		pedals	/LL		SPM
1	901 423 010 00	accelerator pedal		1	
2	N 010 215 13	hexagon-head bolt M 6 X 15		2	
3	900 151 006 09	washer B 6,4		2	
4	914 423 227 00	push rod		1	
5	900 076 027 02	hexagon nut M 5		1	
6	N 015 521 3	ball socket A 8		1	
7	905 423 024 00	throttle linkage		1	
8	901 424 319 00	screw nipple		1	
9	N 013 114 1	pin M 5.8		1	
10	901 423 223 01	extension rod		1	
11	911 423 081 02	connecting piece		1	911 T
(11)	911 423 081 02	connecting piece		1	911 E
12	900 076 027 02	hexagon nut M 5		4	
13	N 015 521 3	ball socket A 8		2	
14	914 423 593 00	sealing sleeve		1	
15	901 423 227 00	bush		3	
16	901 423 027 03	reverse lever with bush	-71	1	
(16)	911 423 017 01	reverse lever with bush	72-	1	
17	914 423 211 00	bush		2	
18	900 025 008 02	washer 10,5		1	
19	N 012 530 1	cotter pin 3 X 15		1	
20	905 423 026 02	throttle linkage	-71	1	911 T

Model	Year	MG	SG	Illustration	Restrictions	Update	12:11	21.08.2006	PORSCHE	PET	PORSCHE
911	73	7	02	702-10		203					

Pos	Part Number	Name	Remarks	Qty	Model	Pos	Part Number	Name	Remarks	Qty	Model
(20)	905 423 026 05	pull rod	72-	1	911 T-V	41	N 011 564 2	washer 13		1	
(20)	905 423 026 03	throttle linkage	-71	1	911 E	42	900 021 015 00	cotter pin 3 X 20		1	
(20)	905 423 026 05	throttle linkage	72-	1	911 E	43	901 551 671 20	hexagon-head bolt		1	
21	900 076 027 02	hexagon nut M 5		1		44	999 703 005 40	cap plug		1	
22	N 015 521 3	ball socket A 8	-71	1		45	900 025 007 02	washer 8,4		2	
22	N 015 521 3	ball socket A 8	72-	1	911 T-V/T-E/ 911 E	46	900 027 015 02	lock ring B 8		2	
(22)	911 423 147 00	ball socket	72-	1	911 T-K	47	900 076 025 02	hexagon nut M 8		2	
23	911 423 065 02	bearing bracket		1		48	911 613 411 00	stop light switch		1	
24	901 423 193 00	rubber stop		1		49	900 146 011 02	oval-head screw AM 4 X 10		2	
25	901 423 253 00	bearing sleeve		2		50	900 114 014 01	shake-proof washer A 4,3		2	
26	901 423 250 02	reverse lever front		1				- - - E N D - - -			
27	900 031 001 02	washer 8,4		1							
28	900 021 008 00	cotter pin 2 X 15		1							
29	905 423 035 00	bearing tube		1							
30	905 423 391 00	protective strip		1							
31	900 027 015 02	lock ring B 8		1							
32	N 011 151 3	hexagon nut M 8		1							
33	905 423 053 00	brake pedal		1							
34	911 423 542 00	bush		2							
35	905 423 511 00	rubber pad		1							
36	905 423 531 00	return spring		1							
37	901 423 507 02	intermediate piece		1							
38	901 423 057 04	piston rod		1							
39	900 158 003 02	hexagon nut M 10		1							
40	901 423 157 00	stop washer		1							

Model	Year	MG	SG	Illustration	Restrictions	Update	12:11	21.08.2006	PORSCHE	PET	PORSCHE
911	73	7	02	702-15		203					

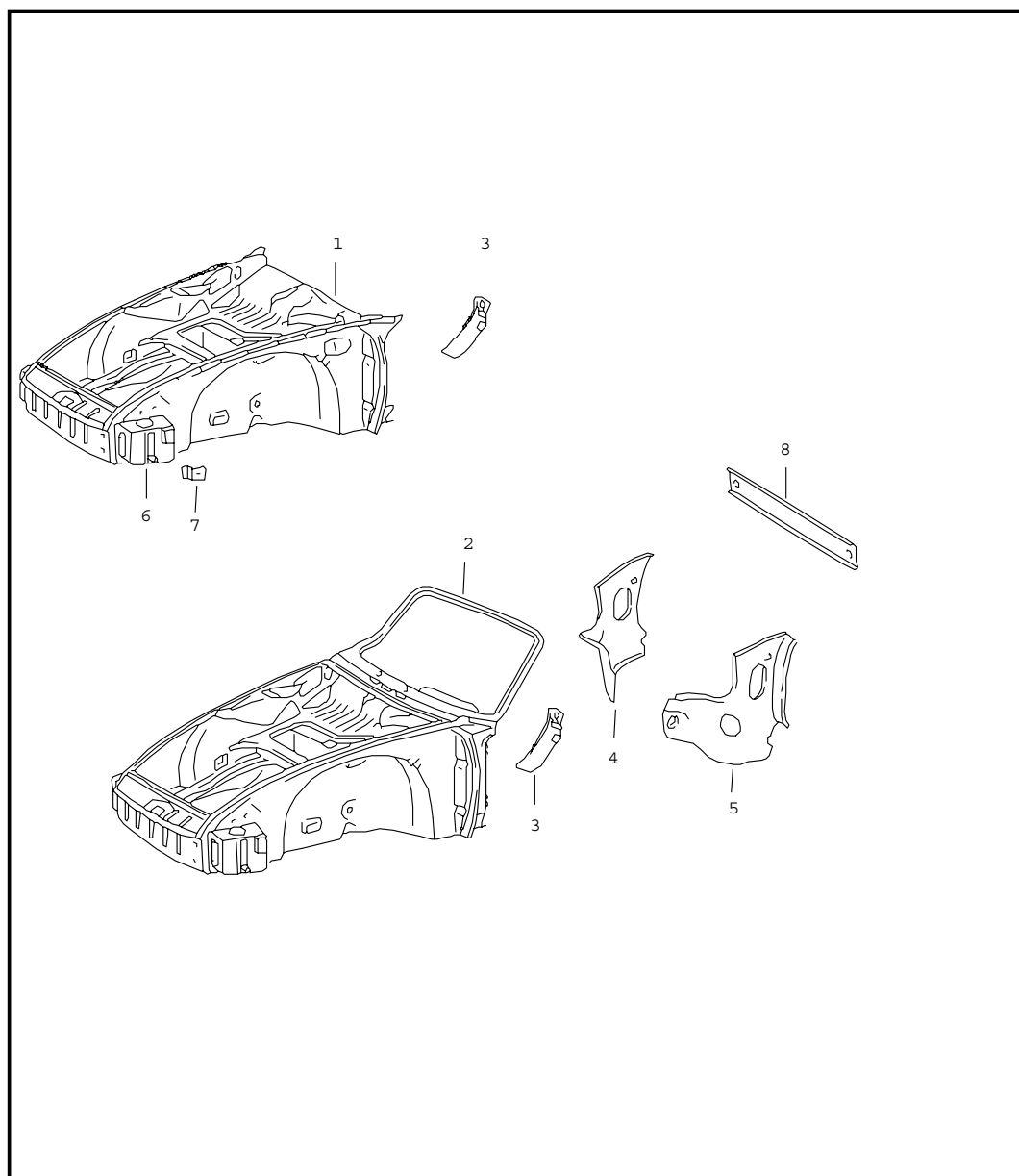


Pos	Part Number	Name	Remarks	Qty	Model
		pedals	/RL		SPM
1	901 423 010 00	accelerator pedal		1	
2	N 010 215 13	hexagon-head bolt M 6 X 15		2	
3	900 151 006 09	washer B 6,4		2	
4	914 423 227 00	push rod		1	
5	900 076 027 02	hexagon nut M 5		1	
6	N 015 521 3	ball socket A 8		1	
7	905 423 024 00	throttle linkage	-71	1	
(7)	PCG 423 024 00	throttle linkage	72-	1	
8	901 424 319 00	screw nipple		1	
9	N 013 114 1	pin		1	
10	901 423 223 01	extension rod		1	
11	911 423 081 02	connecting piece		1	911 T-V/T-K
(11)	911 423 081 02	connecting piece		1	911 T-E/E/S
12	900 076 027 02	hexagon nut M 5		4	
13	N 015 521 3	ball socket A 8		2	
14	911 423 593 01	sealing sleeve		1	
15	901 423 227 00	bush		3	
16	901 423 027 03	reverse lever with bush	-71	1	
(16)	911 423 017 01	reverse lever with bush	72-	1	
17	914 423 211 00	bush		2	
18	900 025 008 02	washer 10,5		1	
19	N 012 530 1	cotter pin 3 X 15		1	

Model	Year	MG	SG	Illustration	Restrictions	Update	12:11	21.08.2006	PORSCHE	PET	PORSCHE
911	73	7	02	702-15		203					

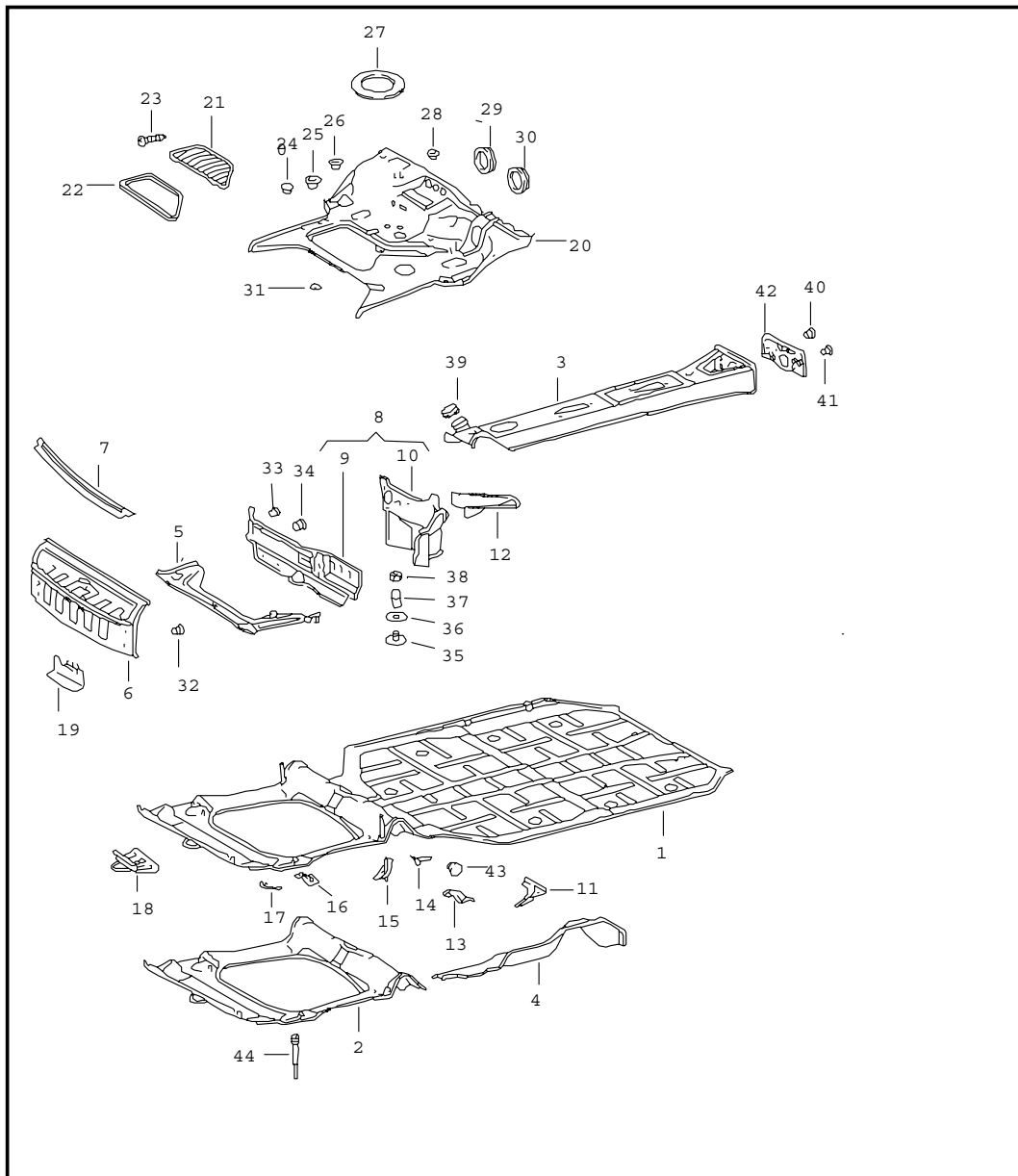
Pos	Part Number	Name	Remarks	Qty	Model	Pos	Part Number	Name	Remarks	Qty	Model
20	905 423 026 02	throttle linkage	-71	1	911 T	39	905 423 511 00	rubber pad		1	
(20)	905 423 026 03	throttle linkage	-71	1	911 E	40	911 423 542 00	bush		2	
(20)	905 423 026 05	pull rod	72-	1	911 T-V	41	901 423 532 00	return spring		1	
(20)	905 423 026 05	throttle linkage	72-	1	911 T-E/E/S	42	905 423 035 00	bearing tube		1	
(20)	905 423 026 30	throttle linkage	72-	1	911 T-K	-	905 423 391 00	protective strip		1	
21	900 076 027 02	hexagon nut M 5		1		43	900 027 015 02	lock ring B 8		1	
22	N 015 521 3	ball socket A 8		1		44	N 011 151 3	hexagon nut M 8		1	
(22)	911 423 147 00	ball socket	72-	1	911 T-K	45	900 076 025 02	hexagon nut M 8		2	
23	901 423 013 00	bearing bracket left		1		46	900 027 015 02	lock ring B 8		2	
24	900 076 025 02	hexagon nut M 8		3		47	900 025 007 02	washer 8,4		2	
25	900 027 015 02	lock ring B 8		3		48	901 423 057 04	piston rod		1	
26	900 025 007 02	washer 8,4		3		49	900 158 003 02	hexagon nut M 10		1	
27	914 423 211 00	bush		1		50	901 423 157 00	washer		1	
28	901 423 556 00	shaft		1		51	901 423 507 02	intermediate piece		1	
29	901 423 193 00	rubber stop		1		52	N 011 564 2	washer 13		1	
30	901 423 022 00	lever		1		53	900 021 015 00	cotter pin 3 X 20		1	
31	900 028 008 01	spring washer B 6		1		54	901 551 671 20	hexagon-head bolt		1	
32	900 076 010 02	hexagon nut M 6		1		55	999 703 005 40	plug		1	
33	911 423 225 00	washer		3		56	911 613 411 00	stop light switch	-71	1	
34	900 151 006 09	washer B 6,4		1		(56)	911 613 411 00	stop light switch	72-	1	
35	900 084 010 02	hexagon nut M 6		1		57	900 146 011 02	oval-head screw AM 4 X 10		2	
36	911 423 066 00	bearing bracket		1		58	900 114 014 01	shake-proof washer A 4,3		2	
37	901 423 528 00	rubber stop		1				- - - E N D - - -			
38	905 423 054 00	brake pedal		1							

Model	Year	MG	SG	Illustration	Restrictions	Update	12:11	21.08.2006	PORSCHE	PET	PORSCHE
911	73	8	01	801-05		203					



Pos	Part Number	Name	Remarks	Qty	Model
		body front section			
1	911 501 005 23	body front section	/LL	1	COUPE+TARGA
(1)	911 501 005 24	body front section	/RL	1	COUPE
2	911 501 005 42	body front section	/LL	1	TARGA
(2)	911 501 005 43	body front section	/RL	1	TARGA
3	901 501 411 21	connecting piece	/L	1	COUPE
(3)	901 501 411 41	connecting piece	/L	1	TARGA
(3)	901 501 412 21	connecting piece	/R	1	COUPE
(3)	901 501 412 41	connecting piece	/R	1	TARGA
4	901 501 918 41	gusset plate	/LL/R	1	TARGA
4	911 501 130 41	gusset plate	/RL/R	1	TARGA
5	901 501 917 41	gusset plate	/L	1	TARGA
6	901 501 503 00	battery box	/L	1	
(6)	901 501 504 00	battery box	/R	1	
7	901 501 509 00	support	-70	2	
8	911 501 347 00	cowl panel support	/LL	1	
		- - - E N D - - -			

Model	Year	MG	SG	Illustration	Restrictions	Update	12:12	21.08.2006	PORSCHE	PET	PORSCHE
911	73	8	01	801-10		203					

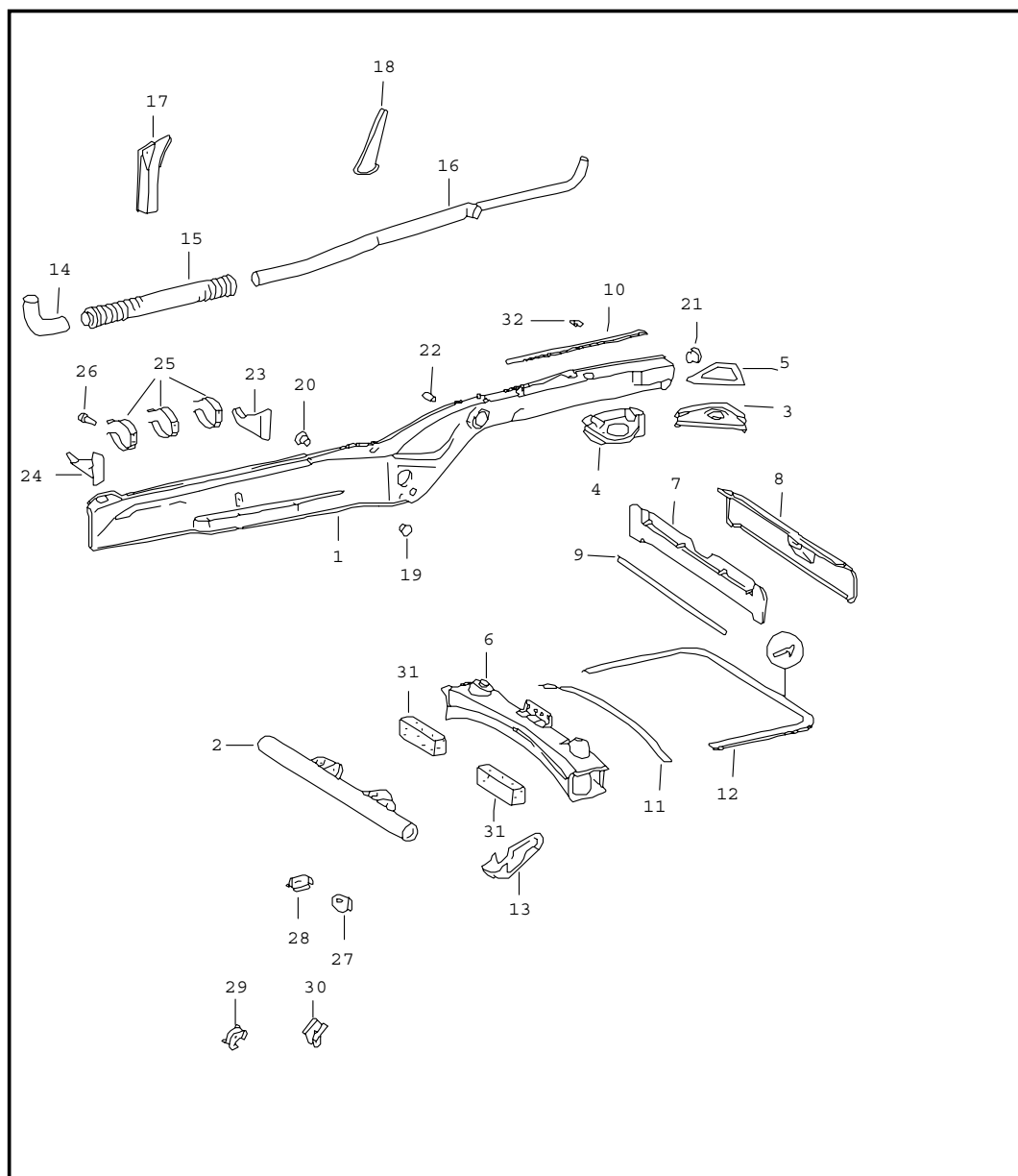


Pos	Part Number	Name	Remarks	Qty	Model
		frame front			
1	911 501 051 00	floorpan	/LL	1	
(1)	911 501 052 00	floorpan	/RL -70	1	
(1)	901 501 052 35	floorpan	/RL 72-	1	
2	911 501 580 00	floorpan	/LL	1	
(2)	911 501 580 02	floorpan	/RL	1	COUPE
3	911 501 061 05	tunnel	/LL -71	1	
(3)	911 501 061 16	tunnel	/LL 72-	1	
-	911 504 107 00	cover	/V	1	
(3)	911 501 061 10	tunnel	/RL -71	1	
(3)	911 501 061 11	tunnel	/RL 72-	1	
4	901 501 023 21	fuel tank support holder	/L	1	
(4)	901 501 024 23	fuel tank support holder	/LL/R	1	
(4)	901 501 024 24	fuel tank support holder	/RL/R	1	COUPE
5	901 501 049 21	fuel tank support		1	911
(5)	902 501 049 21	fuel tank support		1	912
6	901 501 031 21	cross panel		1	
7	901 501 310 20	bracket		1	
8	901 501 030 36	wall		1	
9	901 501 041 37	cross panel		1	
10	901 501 043 33	wall		1	
11	901 501 457 20	bracket	/L	1	
(11)	901 501 458 20	bracket	/R	1	
12	901 501 354 32	cup	/LL	1	
(12)	901 501 356 20	cup	/RL	1	
13	901 501 427 20	reinforcement		2	
14	901 501 063 23	bracket		2	
15	901 501 359 20	axle mounting	/L	1	
(15)	901 501 360 20	axle mounting	/R	1	

Model	Year	MG	SG	Illustration	Restrictions	Update	12:12	21.08.2006	PORSCHE	PET	PORSCHE
911	73	8	01	801-10		203					

Pos	Part Number	Name	Remarks	Qty	Model	Pos	Part Number	Name	Remarks	Qty	Model
16	901 501 409 21	reinforcement plate	/L	1		33	999 703 060 40	plug \$ 5		2	
(16)	901 501 410 21	reinforcement plate	/R	1		34	999 703 075 40	plug \$ 15		1	911 T
17	901 501 407 22	corner reinforcement	/L	1		35	902 504 079 20	cover		1	
(17)	901 501 408 22	corner reinforcement	/R	1		36	999 704 203 40	sealing washer		1	
18	901 501 530 20	towing lug		1		37	901 504 755 20	tensioning spring		1	
19	901 501 478 20	engine carrier		1		38	999 084 102 02	lock nut		1	
20	911 501 035 00	boot floor plate	/LL -72	1		39	902 572 571 20	cap		1	
(20)	911 501 035 04	boot floor plate	/LL 73-	1		40	999 703 083 40	plug \$ 14		1	
(20)	901 501 036 22	boot floor plate	/RL	1		41	999 703 092 40	plug \$ 14		2	
21	901 504 043 02	cover	/LL	1		42	911 501 066 00	end plate		2	
(21)	902 504 044 01	cover	/RL	1		43	999 703 033 40	plug \$ 25		4	
(22)	902 504 491 20	gasket	/LL -72	1		44	911 025 612 00	grommet		2	
(22)	911 504 491 02	gasket	/LL 73-	1				- - - E N D - - -			
22	901 504 491 32	gasket	/RL	1							
(22)	901 504 491 30	gasket version optional heating		1							
23	900 144 034 07	tapping screw B 4,2 X 16		4							
24	999 703 083 40	plug \$ 14		1							
25	999 703 057 40	plug \$ 18		1							
26	999 703 098 40	plug \$ 19		1							
27	901 504 747 00	cover		1							
28	999 703 058 40	plug \$ 16		1							
29	999 703 066 50	plug		3							
30	999 703 067 50	plug		3							
31	111 801 177	rubber valve		4							
32	999 703 033 40	plug \$ 25		4							

Model	Year	MG	SG	Illustration	Restrictions	Update	12:12	21.08.2006	PORSCHE	PET	PORSCHE
911	73	8	01	801-15		203					

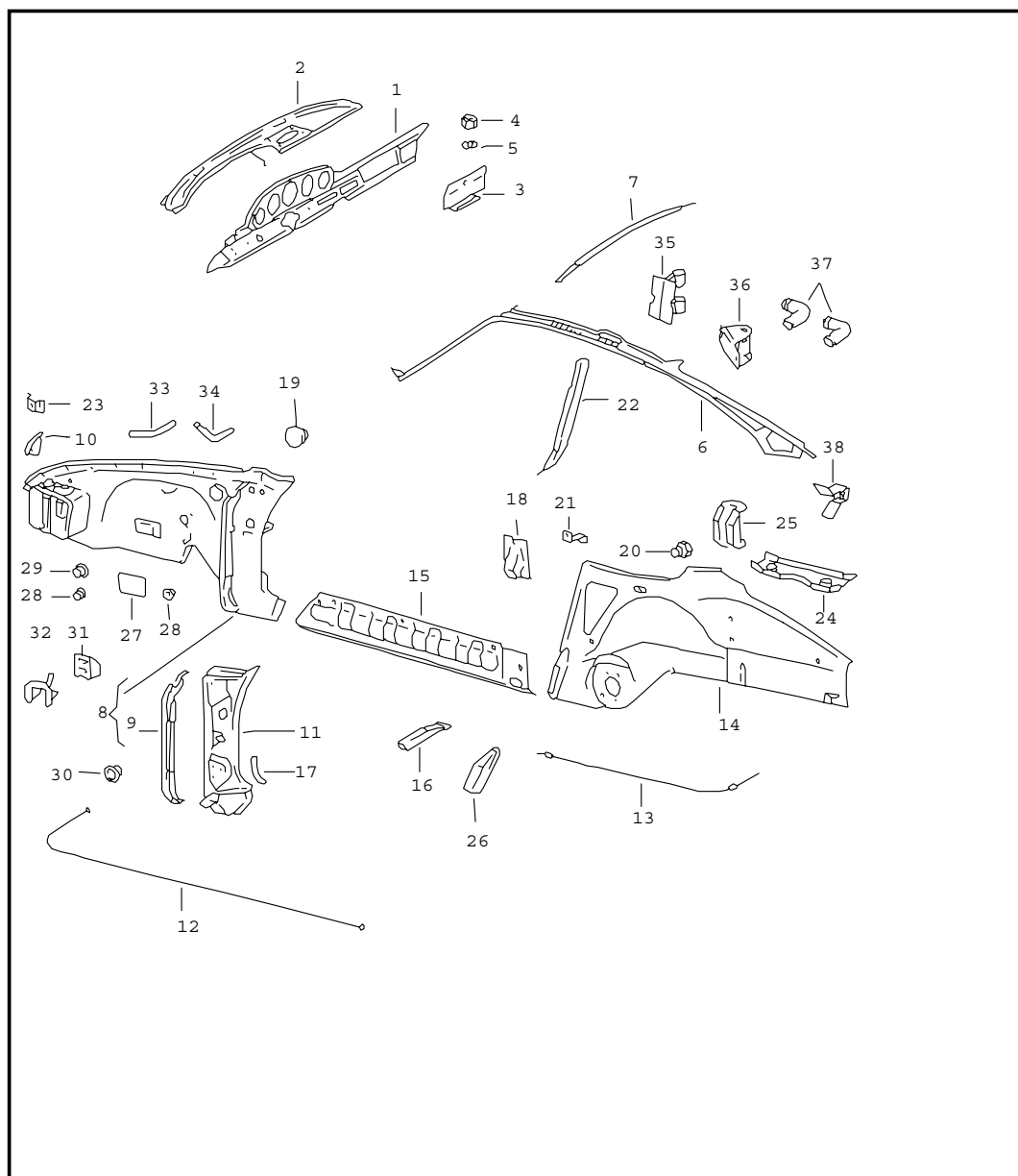


Pos	Part Number	Name	Remarks	Qty	Model
		frame centre rear			
(1)	901 501 961 23	side member	/L -71	1	911 COUPE
(1)	911 501 961 23	side member	/L 72-	1	911 COUPE
(1)	902 501 961 23	side member	/L	1	912 COUPE
(1)	901 501 961 43	side member	/L -71	1	911 TARGA
(1)	911 501 961 44	side member	/L 72-	1	911 TARGA
(1)	902 501 961 43	side member	/L	1	912 TARGA
(1)	901 501 962 23	side member	/R -71	1	911 COUPE
(1)	911 501 962 24	side member	/R 72-	1	911 COUPE
(1)	902 501 962 23	side member		1	912 COUPE
(1)	901 501 962 43	side member	/R -71	1	911 TARGA
(1)	911 501 962 43	side member	/R 72-	1	911 TARGA
(1)	902 501 962 43	side member	/R	1	912 TARGA
2	911 331 010 01	rear-axle cross-tube	-72	1	
2	911 331 010 02	rear-axle cross-tube	73-	1	
(2)	911 331 039 00	rear-axle cross-tube F 91136 01409>>		1	CARRERA 2.7
3	901 501 083 20	engine mounting	/H	2	911
(4)	902 501 083 21	engine mounting	/H/L	1	912
4	902 501 084 21	engine mounting	/H/R	1	912
5	902 501 847 21	corner reinforcement		2	912
6	911 501 075 01	cross member	/H	1	
7	911 501 830 00	cross member inner	/H	1	
8	901 501 087 20	cross member outer	/H	1	
9	901 501 797 20	rail	/H	1	
10	901 501 796 20	rail	/R	1	
(10)	901 501 795 20	rail	/L	1	
11	901 504 991 20	engine compartment seal	/V	1	912/911 T

Model	Year	MG	SG	Illustration	Restrictions	Update	12:12	21.08.2006	PORSCHE	PET	PORSCHE
911	73	8	01	801-15		203					

Pos	Part Number	Name	Remarks	Qty	Model	Pos	Part Number	Name	Remarks	Qty	Model
(11)	911 504 115 00	engine compartment seal	/V	1	911 E/S	26	N 013 411 1	rivet 3 X 6		12	
12	901 504 993 21	engine compartment seal		1		27	901 502 615 40	bracket		1	
(13)	911 501 670 00	motor console for stabiliser and fuel pump	71	1		28	901 502 038 40	bracket	/R	1	
13	911 501 023 01	bracket for fuel pump	72-	1		(28)	901 502 037 40	bracket	/L	1	
14	901 572 211 21	hot air duct	/V -72	2		29	911 501 041 00	bearing back seat		1	
14	911 572 211 01	hot air duct	/V 73-	2		30	911 501 729 00	bracket pneumatic spring mount		1	
15	911 572 025 02	muffler	-72	2		31	911 504 930 00	strap		2	
15	911 572 025 02	muffler short	73-	2		32	901 501 117 20	plate		2	
16	901 572 024 24	hot air duct	/H/R -71	1					- - - E N D - - -		
16	911 572 024 00	hot air duct	/H/R 72-	1							
(16)	901 572 023 24	hot air duct	/H/L -71	1							
(16)	911 572 221 02	hot air duct	/H/L 72-	1							
17	901 501 218 21	post bracket	/V/R	1							
(17)	901 501 217 21	post bracket	/V/L	1							
18	901 501 142 21	bracket	/R	1							
(18)	901 501 141 21	bracket	/L	1							
19	999 703 043 40	plug \$ 12		6							
20	999 703 048 40	plug \$ 15		4							
20	911 504 102 00	plug	72-	4							
21	999 703 098 40	plug \$ 19		1							
22	644 501 163 00	threaded bush		2							
23	901 501 263 20	bracket	/L	2							
24	901 501 264 20	bracket	/R	2							
25	901 501 128 20	retainer spring		6							

Model	Year	MG	SG	Illustration	Restrictions	Update	12:12	21.08.2006	PORSCHE	PET	PORSCHE
911	73	8	01	801-20		203					



Pos	Part Number	Name	Remarks	Qty	Model
		interior panelling			COUPE
(1)	911 502 021 00	dashboard for cars without sunroof	/LL -71	1	COUPE
(1)	911 502 021 02	dashboard for cars without sunroof	/LL 72-	1	COUPE
(1)	911 502 021 42	dashboard for cars with sunroof	/LL -72	1	COUPE
(1)	911 502 021 42	dashboard	/LL -71	1	TARGA
(1)	911 502 021 42	dashboard	/LL 72-	1	TARGA
(1)	911 502 022 41	dashboard for cars without sunroof	/RL -72	1	
(1)	911 502 022 41	dashboard for cars without sunroof	/RL 73-	1	
(1)	911 502 022 30	dashboard for cars with sunroof	/RL -72	1	
2	901 502 023 26	dashboard	/LL -72	1	
2	901 502 023 44	dashboard	/LL 73-	1	
(2)	901 502 024 26	dashboard	/RL -72	1	
(2)	911 502 024 44	dashboard	/RL 73-	1	
(3)	911 552 010 00	glove box cover	-70	1	
(3)	911 552 010 01	glove box cover	71-	1	
4	999 084 102 02	lock nut	-71	2	
4	999 090 002 02	lock nut M 5	71-	4	
5	900 025 003 02	washer 5,3	-71	2	
5	900 025 003 02	washer 5,3	71-	4	
-	900 146 003 02	oval-head screw AM 5 X 10	71-	2	
6	901 502 025 10	roof frame	/L	1	

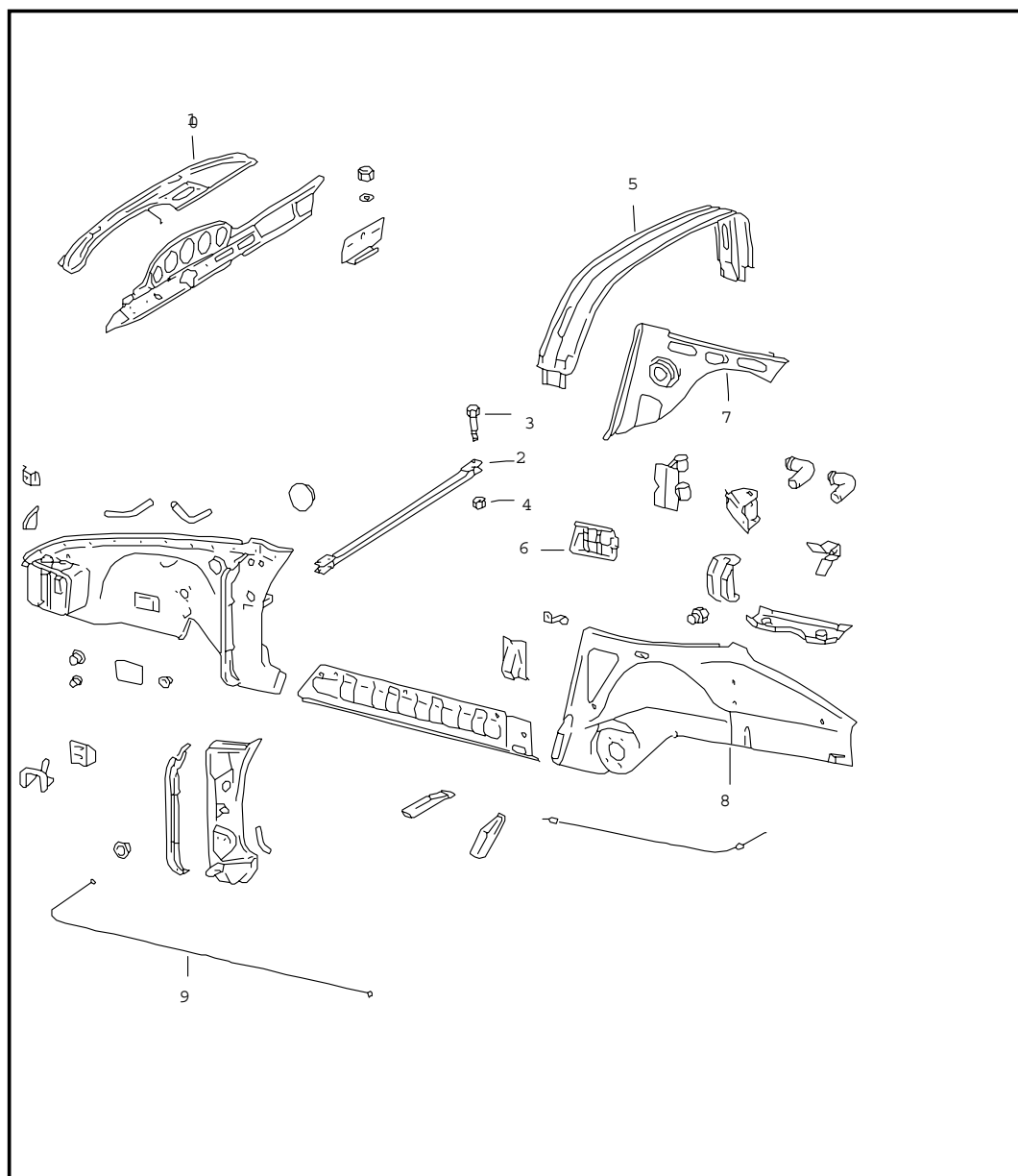
Model	Year	MG	SG	Illustration	Restrictions	Update	12:12	21.08.2006	PORSCHE	PET	PORSCHE
911	73	8	01	801-20		203					

Pos	Part Number	Name	Remarks	Qty	Model	Pos	Part Number	Name	Remarks	Qty	Model
(6)	901 502 026 10	roof frame	/R	1		(15)	911 501 124 00	side member	/R	1	
7	901 502 220 02	cross piece for windscreen		1		16	901 501 153 21	mounting		1	
8	911 501 033 00	wheel housing	/L -71	1		17	901 501 305 20	angular bracket	/L	1	
8	911 501 033 09	wheel housing	/L 72-	1		(17)	901 501 306 20	angular bracket	/R	1	
(8)	911 501 034 20	wheel housing	/R -71	1	COUPE	18	901 501 151 22	mounting		2	
(8)	911 501 034 11	wheel housing	/R 72-	1		19	999 703 031 40	plug \$ 30		2	
(8)	911 501 034 00	wheel housing	/LL/R-71	1	TARGA	20	901 803 127 10	fastening screw	-71	2	
-	901 501 503 00	battery box	/L	1		21	901 501 130 00	retaining bracket switch unit	-70	1	
	GRV	prime coated				22	901 502 245 00	profile	/L	1	
-	901 501 504 00	battery box	/R	1		(22)	901 502 246 00	profile	/R	1	
	GRV	prime coated				23	901 501 509 00	support horn	-71	2	
9	901 501 053 00	wing joining plate	/L	1		24	901 501 085 21	mounting piece bumper		2	
9	911 501 053 00	wing joining plate	/L	1		25	911 501 115 00	reinforcement side section		1	
(9)	901 501 054 01	wing joining plate	/R -71	1		26	901 501 145 20	bracket	/L	1	
(9)	901 501 054 01	wing joining plate	/R 72-	1		(26)	901 501 146 22	bracket	/R -70	1	
10	901 501 303 00	corner plate	/L 72-	1		(26)	901 501 146 20	bracket	/R 72-	1	
10	901 501 304 00	corner plate	/R 72-	1		27	911 504 101 00	cover plate		2	
11	911 501 039 00	hinge pillar	/L	1		28	999 703 094 40	plug \$ 12,5		2	
(11)	911 501 040 00	hinge pillar	/R	1		29	999 703 095 40	plug \$ 17,7	-72	1	
12	901 502 181 22	guide tube	/V	1		(29)	999 703 103 40	plug \$ 23,5	73-	1	
13	911 502 483 00	guide tube	/H	1		30	999 703 103 40	plug \$ 22,0		1	911 T/E
14	PCG 501 017 00	wheel housing use also: 911.501.257.01 PCG.501.157.00 it is necessary to rework	/L	1 1 4	COUPE	31	911 201 317 00	support	-70	1	
(14)	PCG 501 018 00	wheel housing use also: 911.501.258.01 PCG.501.157.00 it is necessary to rework	/R	1 1 4	COUPE	32	901 201 034 60	mounting	-70	1	
15	911 501 123 00	side member	/L -71	1		35	911 501 777 00	hinge for wheel housing	/V -72	1	
15	911 501 123 01	side member	/L 72-	1							

Model	Year	MG	SG	Illustration	Restrictions	Update	12:12	21.08.2006	PORSCHE	PET	PORSCHE
911	73	8	01	801-20		203					

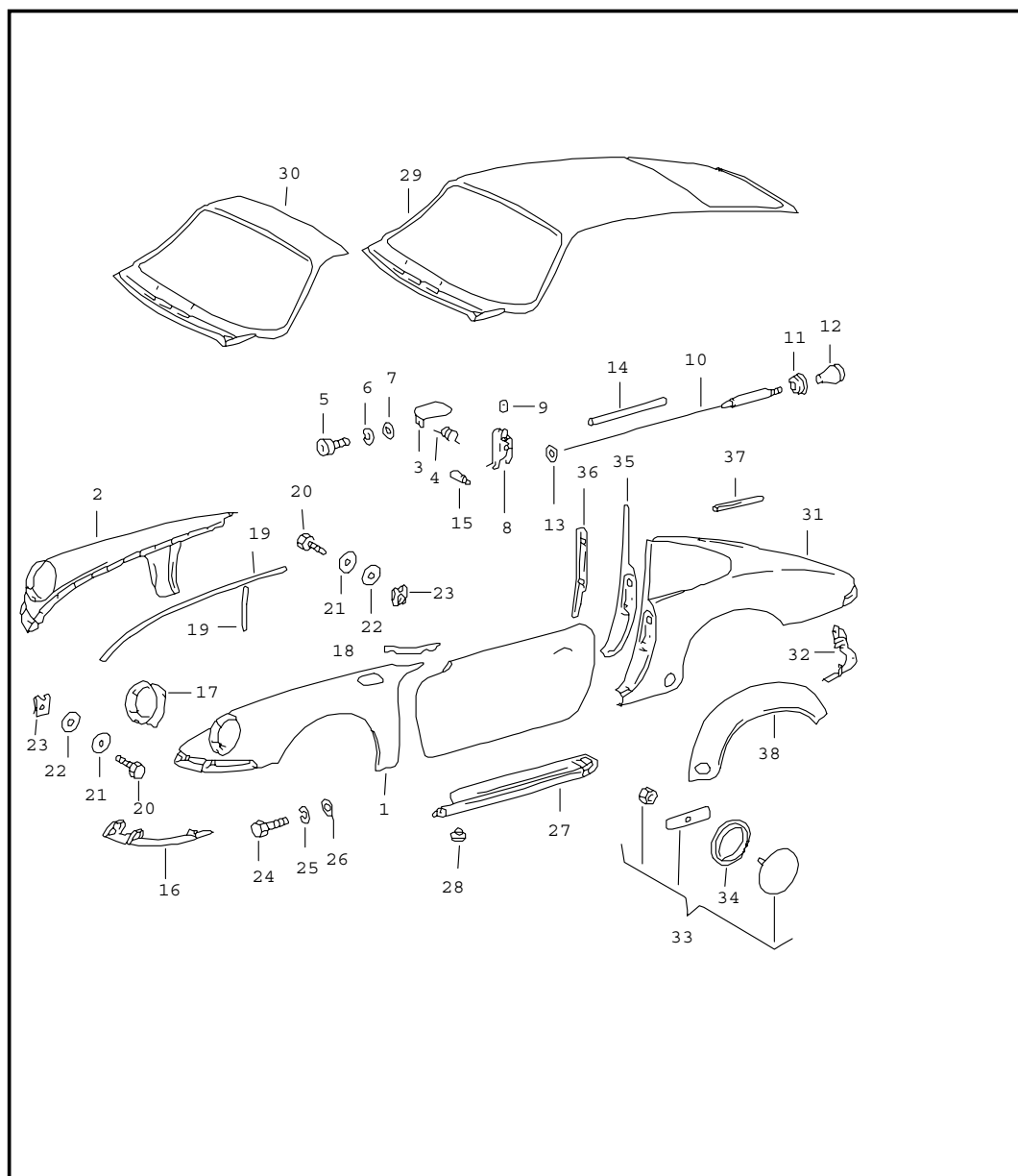
Pos	Part Number	Name	Remarks	Qty	Model	Pos	Part Number	Name	Remarks	Qty	Model
36	911 207 024 00	support for wheel housing	-72	1							
37	911 501 539 00	angled pipe		2							
38	911 501 125 00	support mount for oil tube	72-	2	911 S/ CARRERA 2.7						
		- - - E N D - - -									

Model	Year	MG	SG	Illustration	Restrictions	Update	12:12	21.08.2006	PORSCHE	PET	PORSCHE
911	73	8	01	801-25		203					



Pos	Part Number	Name	Remarks	Qty	Model
		interior panelling			TARGA
1	901 502 023 44	dashboard		1	
2	901 501 086 40	cross tube		1	
3	900 074 038 02	hexagon-head bolt M8 X 40		4	
4	900 084 004 02	hexagon nut M8		4	
5	901 565 001 46	roll-over bar for cars with convertible top		1	
(5)	901 565 001 45	roll-over bar for cars with rear window		1	
6	911 501 203 40	filler plate	/L	1	
(6)	911 501 204 40	filler plate	/R	1	
7	901 501 205 41	interior panel	/L -71	1	
(7)	911 501 205 40	interior panel	/L 72-	1	
(7)	901 501 206 41	interior panel	/R -71	1	
(7)	911 501 206 40	interior panel	/R 72-	1	
8	PCG 501 017 40	wheel housing use also: 911.501.257.01 PCG.501.157.00 it is necessary to rework	/L	1 4	
(8)	PCG 501 018 40	wheel housing use also: 911.501.258.01 PCG.501.157.00 it is necessary to rework	/R	1 4	
9	901 502 181 41	guide tube for cable control	/V	1	
- - - E N D - - -					

Model	Year	MG	SG	Illustration	Restrictions	Update	12:12	21.08.2006	PORSCHE	PET	PORSCHE
911	73	8	01	801-30		203					

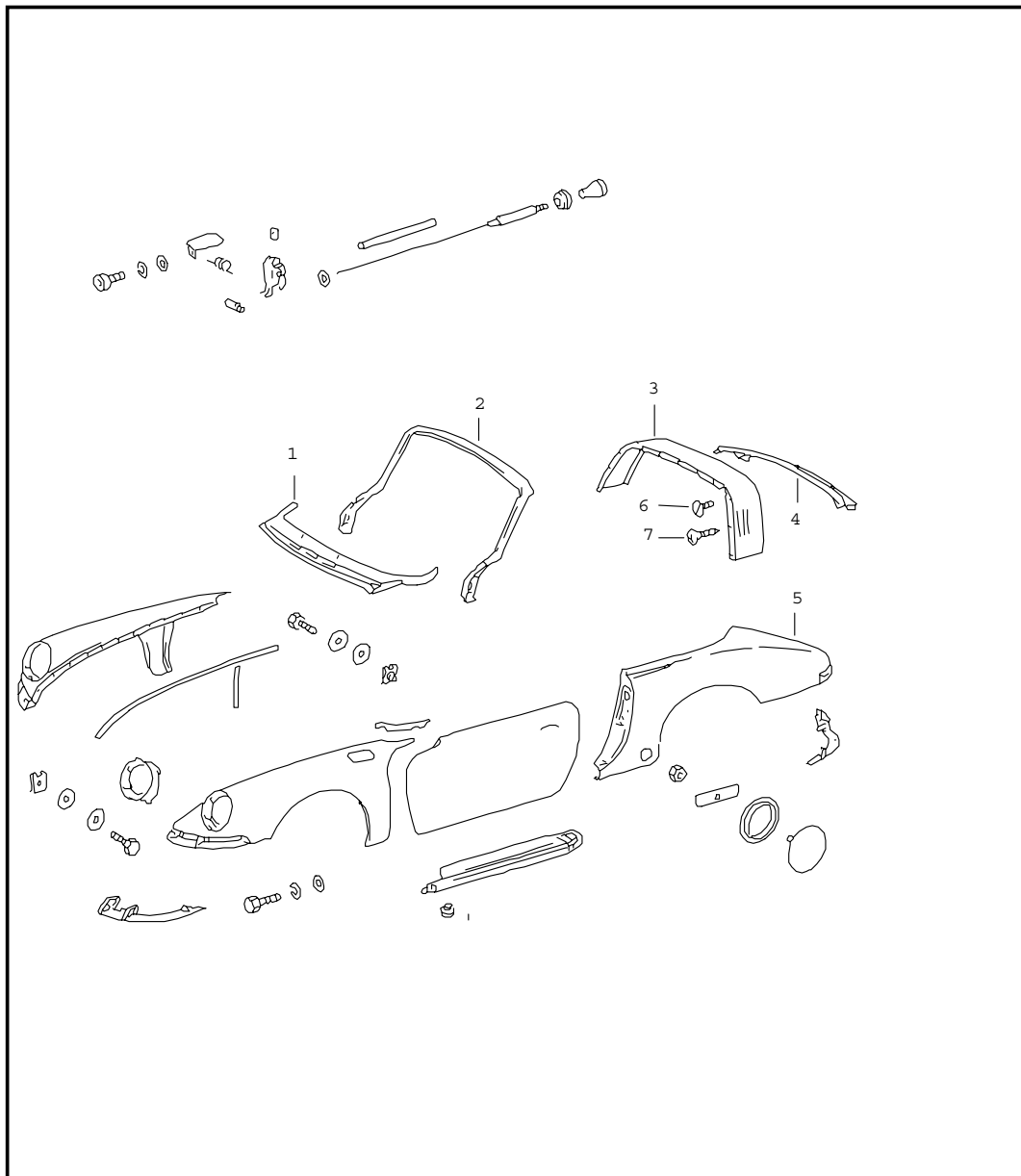


Pos	Part Number	Name	Remarks	Qty	Model
		exterior panelling			COUPE
1	901 503 031 23	wing with tank filler neck	/L	1	
(1)	901 503 031 25	front wing without tank filler neck	/L -70	1	
2	901 503 032 23	wing	/R	1	
3	901 504 031 20	cover tank filler neck		1	
4	911 504 331 00	spring		1	
5	900 067 051 02	pan-head screw M5 X 10		3	
6	N 012 005 3	lock ring B5		3	
7	900 025 003 02	washer 5,3		3	
8	901 504 034 20	bearing		3	
9	911 025 679 00	buffer		1	
10	901 504 317 21	wire pull		1	
11	901 511 791 21	rubber washer		1	
12	901 552 822 00	knob		1	
13	914 504 319 00	grommet		1	
-	999 702 020 50	rubber sleeve		1	
14	901 504 385 20	connecting tube		1	
15	999 230 002 02	screw nipple		1	
16	901 503 043 23	bar	/L	1	
	GRV	prime coated			
(16)	901 503 044 23	bar	/R	1	
	GRV	prime coated			
17	901 631 015 23	headlamp casing		2	
18	901 503 394 22	wing seal		2	
19	000 043 129 00	sealing strap 25 X 2		X	

Model	Year	MG	SG	Illustration	Restrictions	Update	12:12	21.08.2006	PORSCHE	PET	PORSCHE
911	73	8	01	801-30		203					

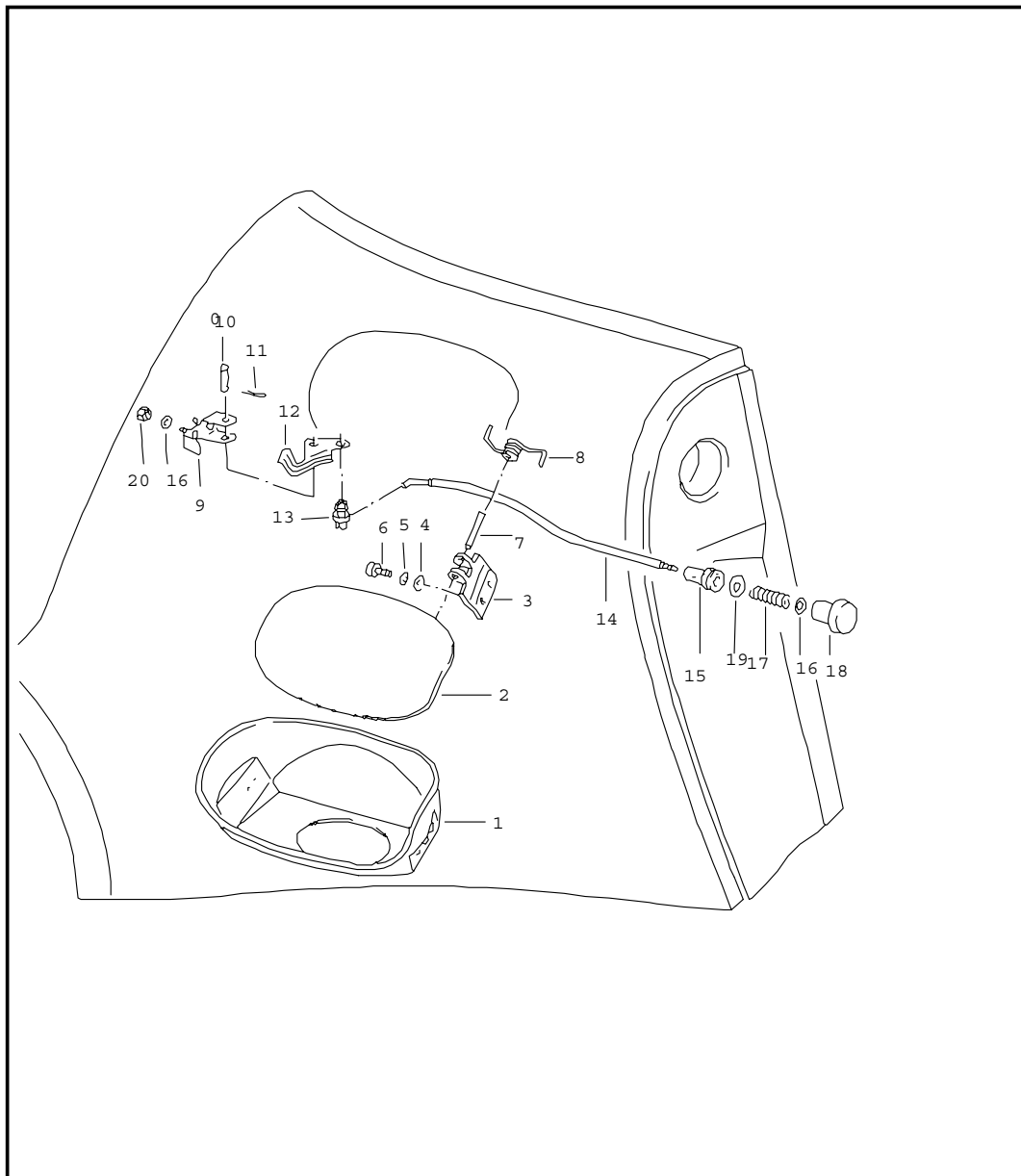
Pos	Part Number	Name	Remarks	Qty	Model	Pos	Part Number	Name	Remarks	Qty	Model
20	900 187 010 02	hexagon-head tapping screw BZ6,3 X 19		20		(31)	901 503 062 22	wing with lock pillar	/R -71	1	
21	900 151 006 09	washer B6,4		20		(31)	911 503 062 01	side section with lock pillar	/R 72	1	
22	999 704 157 40	washer		20							
23	999 591 327 02	speed nut B6,3		20		(31)	911 503 062 03	side section with lock pillar	/R 73-	1	
24	900 378 030 09	hexagon-head bolt M6 X 20	-71	18		(31)	911 503 046 00	side section	/R 73-	1	CARRERA 2.7
(24)	900 075 224 02	hexagon-head bolt M6 X 12	72-	18			GRV	prime coated with lock pillar it is necessary to rework			
25	900 027 014 01	lock ring B6		18							
26	900 151 006 09	washer B6,4		18		32	901 503 073 23	support	/L	1	
27	911 503 401 00	door sill it is necessary to rework	/L -71	1		(32)	901 503 074 23	support	/R	1	
27	911 503 401 02	door sill it is necessary to rework	/L 72-	1		33	901 504 079 00	spring cover		2	
(27)	911 503 402 00	door sill it is necessary to rework	/R -71	1		33	901 504 079 00	spring cover	72-	2	CARRERA 2.7
(27)	911 503 402 02	door sill it is necessary to rework	/R 72-	1		34	901 504 759 01	desk pad		2	
28	999 703 033 40	plug		2		35	911 502 041 00	lock pillar	/L 72-	1	
29	901 503 051 01	outer roof panel		1		(35)	911 502 042 01	lock pillar	/R 72-	1	
(29)	901 503 051 06	outer roof panel with sunroof frame		1		36	911 502 043 01	lock pillar inner panel	/L	1	
30	901 503 090 21	windscreen frame		1		(36)	911 502 044 01	lock pillar inner panel	/R	1	
31	911 503 061 00	side section with lock pillar it is necessary to rework	/L	1		37	901 504 933 20	seal	-71	1	
(31)	911 503 045 00	side section	/L 73-	1	CARRERA 2.7	(37)	911 504 933 00	seal	/L 72-	1	
	GRV	prime coated with lock pillar it is necessary to rework				(37)	911 504 934 00	seal	/R 72-	1	
						38	911 503 607 03	weldable piece	/L	1	
							GRV	prime coated wing it is necessary to rework			
						(38)	911 503 608 03	weldable piece	/R	1	
							GRV	prime coated wing it is necessary to rework			
								- - - E N D - - -			

Model	Year	MG	SG	Illustration	Restrictions	Update	12:13	21.08.2006	PORSCHE	PET	PORSCHE
911	73	8	01	801-35		203					



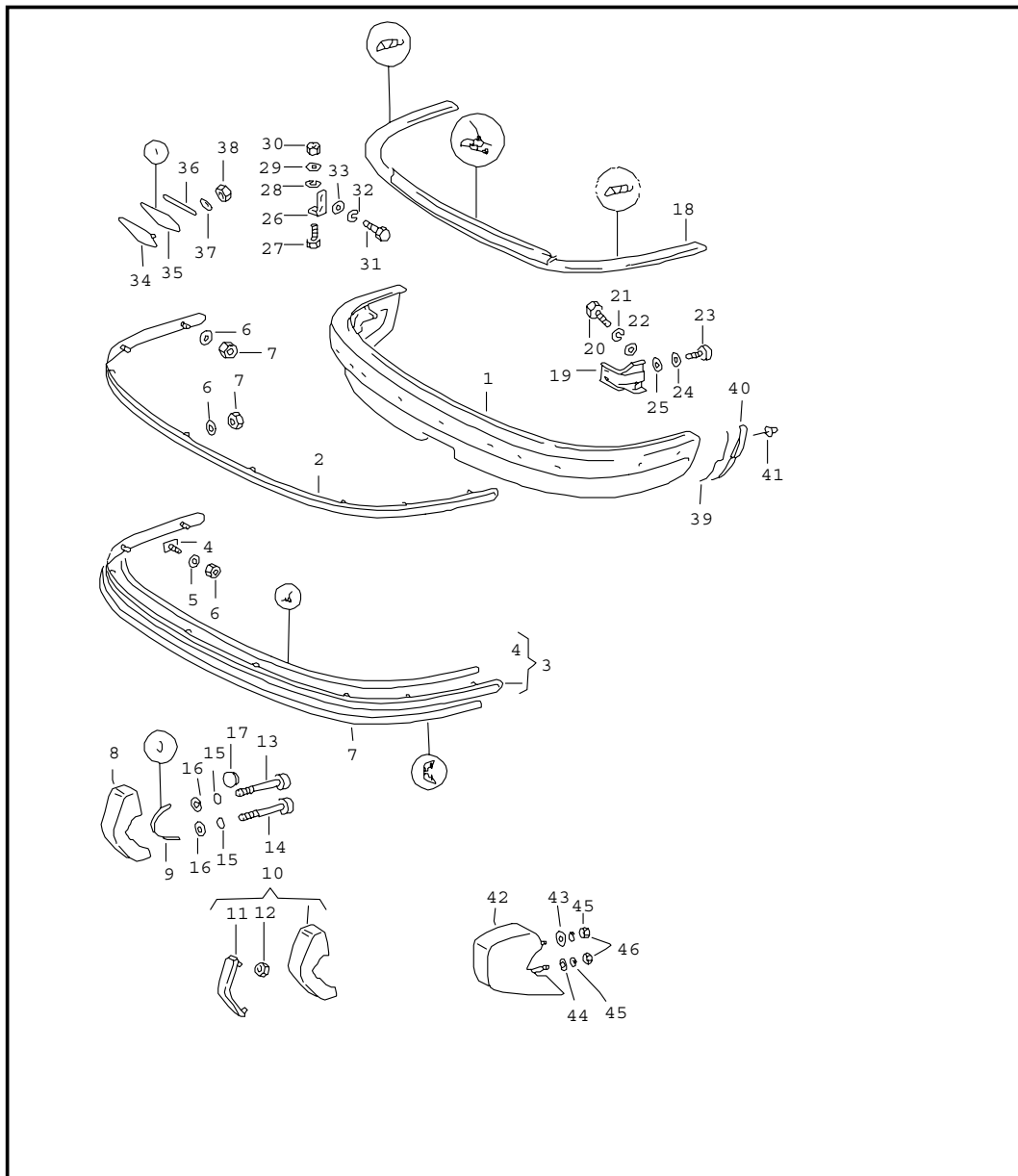
Pos	Part Number	Name	Remarks	Qty	Model
		exterior panelling			TARGA
1	901 503 057 41	scuttle		1	
2	901 502 091 00	windscreen frame		1	
3	901 565 011 45	lining		1	
4	901 503 322 40	rear end		1	
5	911 503 061 40	side section with lock pillar	/L	1	
(5)	911 503 062 43	side section with lock pillar	/R	1	
(5)	911 503 062 41	side section with lock pillar	/R 72	1	
6	901 801 153 40	screw plug		4	
(7)	N 013 957 5	tapping screw B3,5 X 9,5		15	
7	900 140 015 00	rais. counters. h. tap. s. B3,5 X 9,5		8	
		- - - E N D - - -			

Model	Year	MG	SG	Illustration	Restrictions	Update	12:13	21.08.2006	PORSCHE	PET	PORSCHE
911	73	8	01	801-40		203					



Pos	Part Number	Name	Remarks	Qty	Model
		oil inlet	-72		
1	911 503 076 01	retainer		1	
2	911 504 415 01	cover		1	
3	911 504 416 03	hinge		1	
4	N 011 524 7	washer 6,4		2	
5	N 012 007 2	lock ring A6		2	
6	900 067 009 02	pan-head screw M6 X 15		2	
7	644 504 315 00	hinge bolt		1	
8	911 504 331 00	spring		1	
9	911 503 077 00	bearing bracket		1	
10	900 087 030 02	bolt 4 X 22 X 20		1	
11	N 012 503 1	cotter pin 1 X 10		1	
12	911 504 418 00	lever		1	
13	911 531 563 00	linkage clip		1	
14	911 504 420 00	push rod		1	
15	999 702 072 50	rubber sleeve		1	
16	900 025 003 02	washer 5,3		3	
17	911 504 419 00	compression spring		1	
18	901 552 822 00	knob		1	
19	900 151 027 02	washer 5,3		1	
20	999 084 102 02	hexagon nut		2	
		- - - E N D - - -			

Model	Year	MG	SG	Illustration	Restrictions	Update	12:13	21.08.2006	PORSCHE	PET	PORSCHE
911	73	8	02	802-00		203					



Pos	Part Number	Name	Remarks	Qty	Model
		bumper front			
(1)	901 505 011 21	bumper	-72	1	
(1)	911 505 011 05	bumper	73-	1	911 T
		GRV prime coated			
1	911 505 028 00	spoiler bumper	72	1	
(1)	911 505 011 06	bumper bumper	73-	1	
(1)	911 505 011 25	spoiler bumper	73-	1	CARRERA 2,7
-	911 505 309 25	cover		1	
2	901 505 041 32	moulding		1	
(2)	901 505 041 32	moulding version without bumper horn	-72	1	
3	901 505 045 51	retaining strip		1	
4	901 505 155 20	screw		8	
5	900 025 003 02	washer 5,3		16	
6	N 021 196 1	lock nut M5		16	
7	901 505 405 51	protective strip	/V	1	
(8)	901 505 031 26	bumper horn	/L -71	1	911 T
(8)	901 505 032 26	bumper horn	/R -71	1	911 T
9	999 911 182 40	piping		4	
10	901 505 031 51	bumper horn	/L -71	1	911 E/S
(10)	901 505 031 26	bumper horn	/L -70	1	911 T :M
(10)	901 505 031 27	bumper horn	/L 71	1	911 T :M
(10)	911 505 017 03	bumper horn	/L 72-	1	911 S CARRERA 2.7
(10)	901 505 031 26	bumper horn	/L 72-	1	911 T/E
(10)	911 505 017 00	bumper horn black	/L 72-	1	911 T/E:M

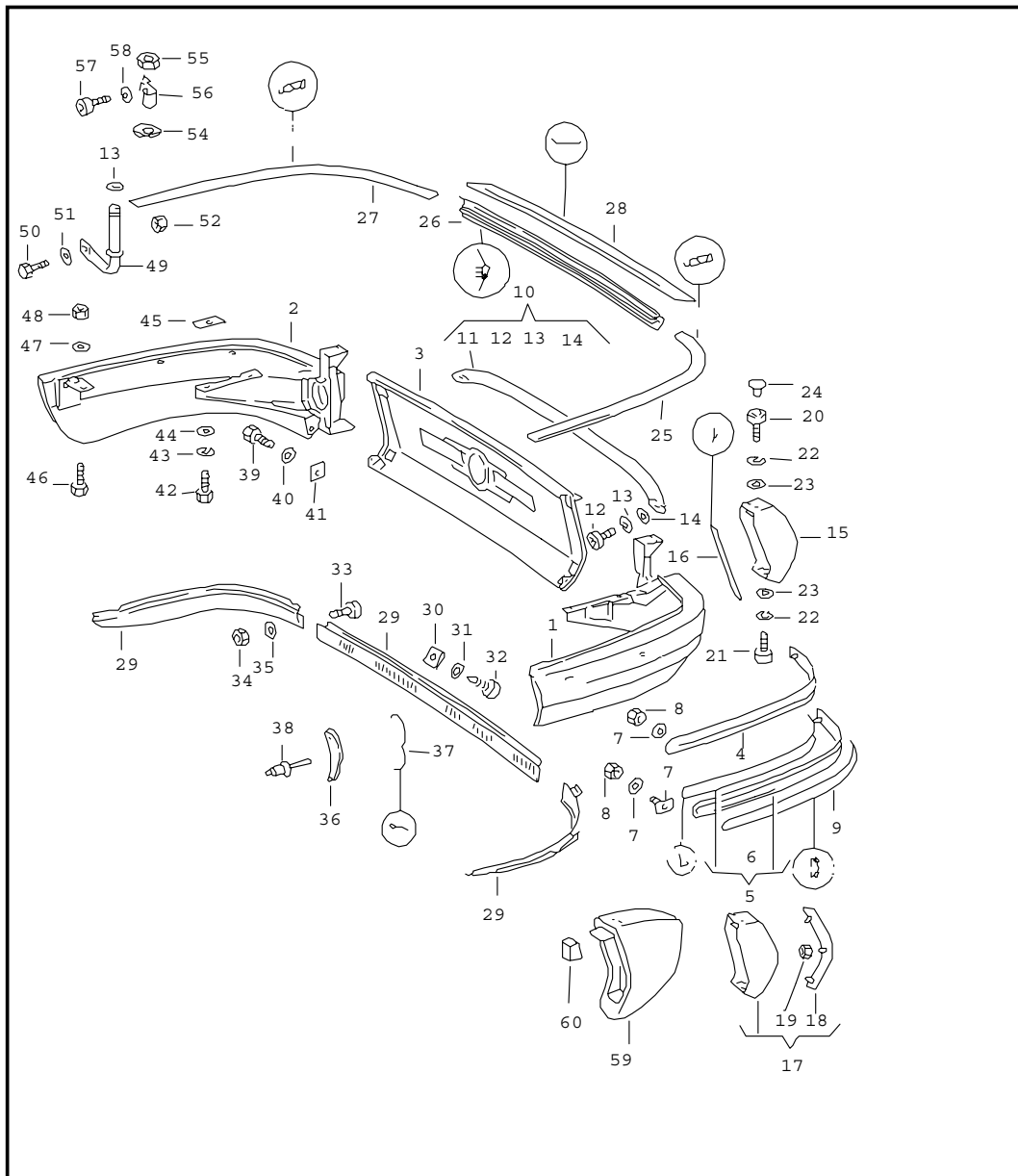
Model	Year	MG	SG	Illustration	Restrictions	Update	12:13	21.08.2006	PORSCHE	PET	PORSCHE
911	73	8	02	802-00		203					

Pos	Part Number	Name	Remarks	Qty	Model	Pos	Part Number	Name	Remarks	Qty	Model
(10)	911 505 017 01	bumper horn black	/L 72- :M	1	911S:M CARRERA 2.7	19	901 505 037 00	support		2	
(10)	911 505 018 03	bumper horn	/R -71	1	911 E/S	20	900 075 083 02	hexagon-head bolt M8 X 25	-71	4	
(10)	911 505 018 02	bumper horn	/R -70	1	911 T :M	20	900 075 210 02	hexagon-head bolt M8 X 22	72-	4	
(10)	901 505 032 27	bumper horn	/R 71	1	911 T :M	21	900 027 015 02	lock ring B8		4	
(10)	911 505 018 03	bumper horn	/R 72-	1	911 S :M	22	900 151 007 02	washer 8,4		4	
(10)	911 505 018 02	bumper horn	/R 72-	1	911 T/E:M	23	999 514 004 02	pan-head screw M10 X 20		2	
(10)	911 505 018 00	bumper horn black	/R 72-	1	911 T/E:M	(23)	900 075 040 02	hexagon-head bolt M10 X 20		2	
(10)	911 505 018 01	bumper horn black	:M	1	911 S :M CARRERA 2.7	24	999 523 103 02	lock washer		2	
11	901 505 901 21	rubber buffer		2	M	25	900 025 008 02	washer B10,5		2	
12	900 076 010 02	hexagon nut M6		4	M	26	901 505 135 01	support		2	
13	999 514 002 02	pan-head screw M8 X 100	-71	2		27	900 075 079 02	hexagon-head bolt M8 X 22		2	
(13)	N 010 391 4	hexagon-head bolt M8 X 100	72-	2		28	900 027 015 02	lock ring B8		2	
14	999 514 003 02	pan-head screw M8 X 60	-71	2		29	900 151 008 02	washer B8,4		2	
(14)	N 010 360 6	hexagon-head bolt M8 X 60	72-	2		30	900 076 025 02	hexagon nut M8		2	
15	999 523 102 02	lock washer		4		31	900 075 079 02	hexagon-head bolt M8 X 22		4	
16	900 025 008 02	washer 8,4		2		32	900 027 015 02	lock ring B8		4	
(16)	900 025 007 02	washer 8,4		2		33	900 025 007 02	washer 8,4		4	
17	999 703 065 50	stop	-72	4		34	902 505 056 21	cover	/R	1	
(17)	311 611 849	plug	73-	4		(34)	902 505 055 21	cover	/L	1	
18	901 505 091 20	seal		1		35	902 505 153 20	pipng		2	
-	911 559 542 00	adhesive tape blue		X		36	902 505 145 21	holder		2	
-	911 559 542 01	adhesive tape guards red		X		37	900 151 006 09	washer B6,4		4	
-	911 559 542 02	adhesive tape green		X							

Model	Year	MG	SG	Illustration	Restrictions	Update	12:13	21.08.2006	PORSCHE	PET	PORSCHE
911	73	8	02	802-00		203					

Pos	Part Number	Name	Remarks	Qty	Model	Pos	Part Number	Name	Remarks	Qty	Model
38	999 084 103 02	lock nut		4							
-	999 911 084 40	pipng		*							
39	-	260 MM									
40	901 505 157 00	plate	/L	1							
(40)	901 505 158 00	plate	/R	1							
-	999 190 101 30	blind rivet for 901.505.157.00 901.505.158.00		2							
41	999 190 101 30	rivet		8							
-	900 143 042 00	oval-head sheetmetal screw B2,9 X 9,5		8							
		- - - E N D - - -									

Model	Year	MG	SG	Illustration	Restrictions	Update	12:13	21.08.2006	PORSCHE	PET	PORSCHE
911	73	8	02	802-05		203					



Pos	Part Number	Name	Remarks	Qty	Model
-	911 505 020 12	bumper rear			
-	911 505 020 12	bumper plastic material with bracket	72-	1	CARRERA 2.7
1	901 505 021 21	bumper outer part	/L -72	1	
1	911 505 021 02	bumper GRV prime coated outer part	/L 73-	1	
(1)	911 505 021 01	bumper outer part steel	/L 73-	1	CARRERA 2,7
2	901 505 022 21	bumper outer part	/R -72	1	
2	911 505 022 02	bumper GRV prime coated outer part	/R 73-	1	
(2)	911 505 022 01	bumper outer part steel	/R 73-	1	CARRERA 2,7
3	901 505 023 20	centre part centre part		1	
4	901 505 043 02	moulding		2	
5	901 505 046 51	moulding		2	
(5)	911 505 097 00	moulding		2	CARRERA 2.7
6	901 505 155 20	screw		8	
7	900 025 003 02	washer 5,3		8	
8	N 021 196 1	lock nut		8	
9	901 505 417 51	protective strip		2	
-	911 559 541 00	adhesive tape blue		X	
-	911 559 541 01	adhesive tape guards red		X	
-	911 559 541 02	adhesive tape green		X	

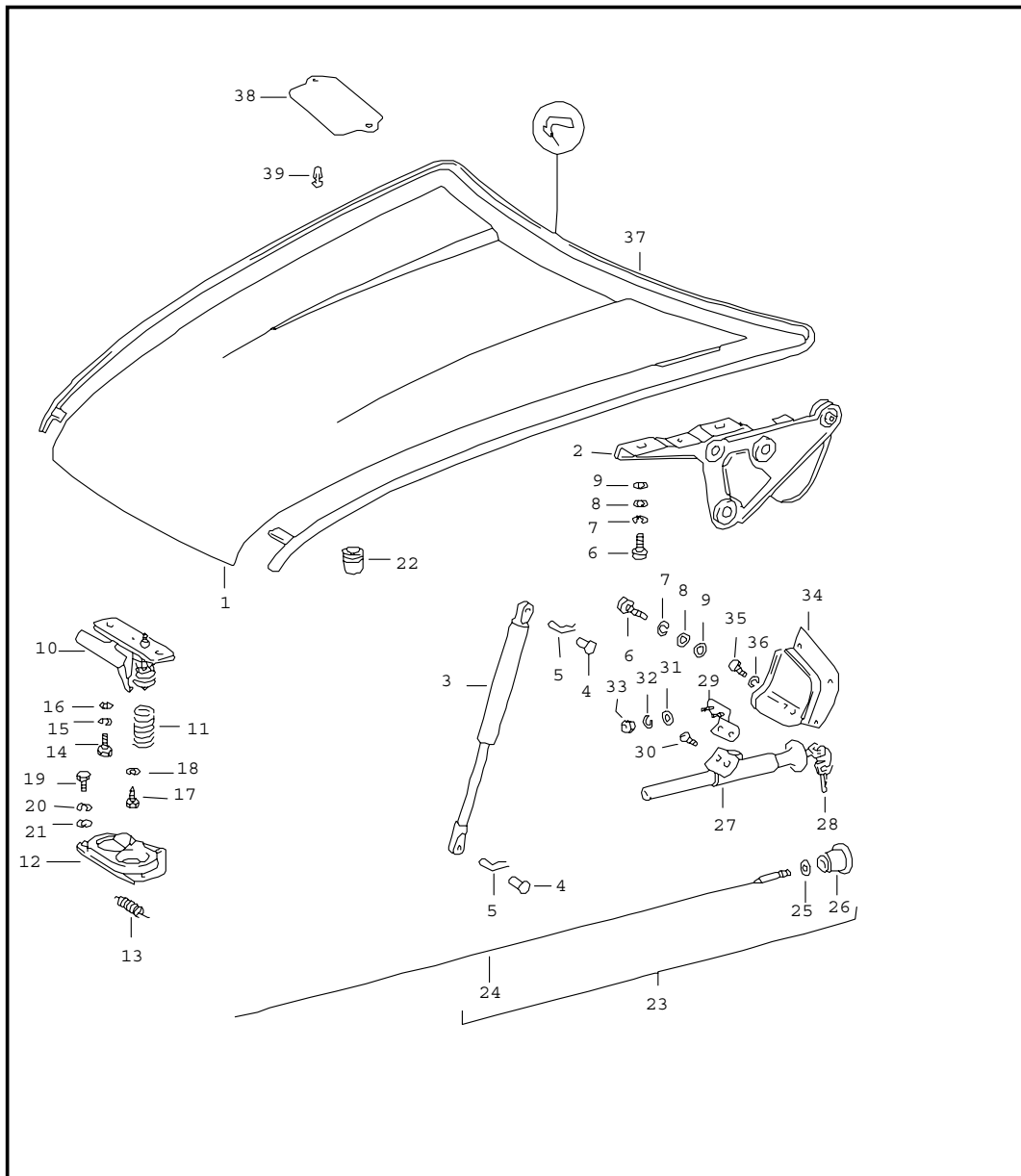
Model	Year	MG	SG	Illustration	Restrictions	Update	12:13	21.08.2006	PORSCHE	PET	PORSCHE
911	73	8	02	802-05		203					

Pos	Part Number	Name	Remarks	Qty	Model	Pos	Part Number	Name	Remarks	Qty	Model
10	901 505 921 00	protection		1		26	901 505 497 20	seal centre		2	
11	902 505 340 95	protection		1		27	901 505 094 20	seal	/R	1	
12	900 067 057 02	pan-head screw M8 X 20		2		28	901 512 901 00	sealing strip		1	
13	900 027 015 02	lock ring B8		2		29	901 505 904 00	rear embellisher single parts see group 8/98/15		1	
14	900 025 007 02	washer 8,4		2		30	N 015 429 2	speed nut		9	
15	901 505 033 20	bumper horn		2		31	900 025 002 02	washer 4,3		9	
(15)	902 505 033 95	bumper horn for protection 902.505.340.95		2		32	900 143 031 02	oval-head sheetmetal screw B4,2 X9		9	
16	999 911 182 40	pipng		2		33	900 146 016 02	oval-head screw AM3 X 6		2	
17	901 505 033 20	bumper horn		2		34	900 076 001 02	hexagon nut M3		2	
(17)	911 505 033 02	bumper horn black		2		35	900 151 019 02	washer B3,2		2	
(17)	911 505 029 00	bumper horn for protection 901.505.921.00		2		36	901 505 251 21	plate	/L	1	
18	901 505 903 21	rubber buffer		2		(36)	901 505 251 22	plate	/L 73-	1	CARRERA 2.7
19	900 076 010 02	hexagon nut M6		6		(36)	901 505 252 21	plate	/R	1	
20	900 067 009 02	pan-head screw M6 X 15	-71	4		(36)	901 505 252 22	plate	/R 73-	1	CARRERA 2.7
(20)	N 014 703 2	pan-head screw M6 X 18	72-	4		37	999 911 084 40	beading		X	
21	900 067 009 02	pan-head screw M6 X 15	-71	2		38	999 190 101 30	rivet		8	
(21)	N 014 703 2	pan-head screw M6 X 18	72-	2		39	900 187 010 02	hexagon-head tapping screw BZ6,3 X 19		6	
22	900 027 014 01	lock ring B6		6		40	900 151 020 30	washer A7,4		6	
23	N 011 524 7	washer 6,4		6		41	999 591 327 02	speed nut		2	
24	999 703 043 40	plug		4		42	900 074 127 02	hexagon-head bolt M8 X 25	-71	4	
25	901 505 093 20	seal	/L	2		(42)	900 075 079 02	hexagon-head bolt M8 X 22	72-	4	
						43	900 027 015 02	lock ring B8		4	

Model	Year	MG	SG	Illustration	Restrictions	Update	12:13	21.08.2006	PORSCHE	PET	PORSCHE
911	73	8	02	802-05		203					

Pos	Part Number	Name	Remarks	Qty	Model	Pos	Part Number	Name	Remarks	Qty	Model
44	900 151 008 02	washer B8,4		4							
45	901 505 261 20	shim		8							
46	900 067 009 02	pan-head screw M6 X 15	-71	2							
(46)	N 014 703 2	pan-head screw M6 X 18	72-	2							
47	N 011 524 7	washer 6,4		2							
48	900 910 011 02	lock nut M6		2							
49	901 501 092 21	support tube		2							
50	900 074 126 02	hexagon-head bolt M8 X 22		2							
51	900 151 008 02	washer B8,4		4							
52	N 021 194 1	lock nut M8		2							
53	901 501 913 21	sealing ring		2							
54	900 025 021 02	washer		2							
55	900 078 009 02	hexagon nut M20 X 1,5		2							
56	901 501 930 22	support		1							
57	900 075 057 02	hexagon-head bolt M6 X 16		1							
58	900 028 003 01	spring washer A6		1							
		- - - E N D - - -									

Model	Year	MG	SG	Illustration	Restrictions	Update	12:14	21.08.2006	PORSCHE	PET	PORSCHE
911	73	8	03	803-00		203					

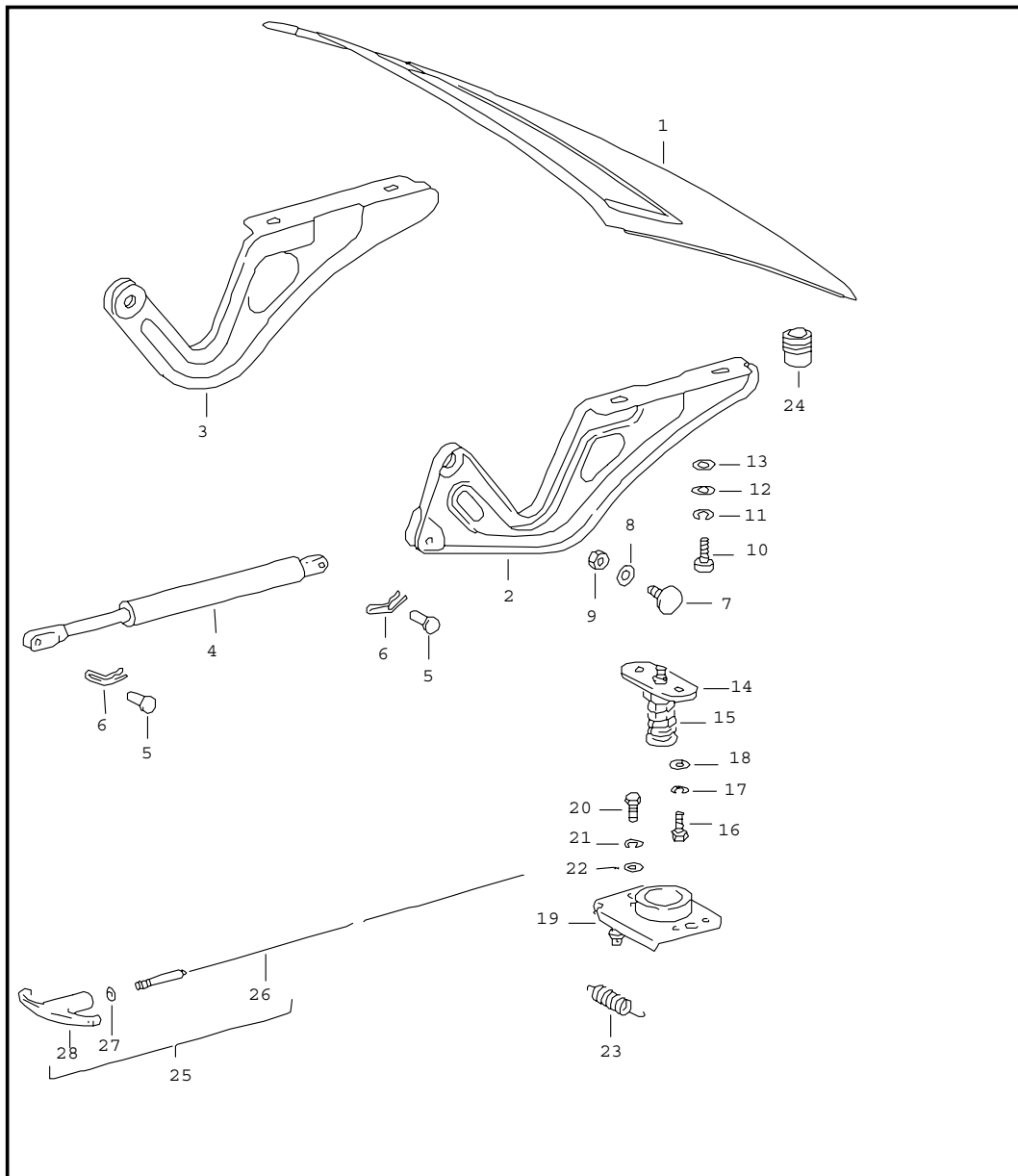


Pos	Part Number	Name	Remarks	Qty	Model
1	901 511 010 20	cover front		1	
2	901 511 031 20	lid hinge	/L	1	
(2)	901 511 032 20	lid hinge	/R	1	
3	959 511 333 00	gas prop		2	
4	999 087 003 02	bolt with bore		4	
5	901 351 955 10	safety seal		4	
-	901 511 361 60	bearing bracket for support	:M	X	CARRERA 2.7
-	901 511 401 60	bracket for cover	:M	X	CARRERA 2.7
-	901 511 362 60	rubber holder	:M	X	CARRERA 2.7
-	900 145 035 02	rais. counters. h. tap. s. B4,2 X 16	:M	X	CARRERA 2.7
-	N 011 524 7	washer 6,4	:M	X	CARRERA 2.7
-	900 021 001 01	cotter pin 1,5 X 8	:M	X	CARRERA 2.7
-	999 190 101 30	rivet	:M	X	CARRERA 2.7
(6)	900 075 085 02	hexagon-head bolt M8 X 20	-71	10	
6	900 067 057 02	pan-head screw M8 X 20	72-	10	
7	900 027 015 02	lock ring B8		10	
8	900 025 007 02	washer 8,4		10	
9	900 151 008 02	washer B8,4		X	
10	901 511 051 21	lid lock upper part		1	
11	901 511 512 20	spring		1	

Model	Year	MG	SG	Illustration	Restrictions	Update	12:14	21.08.2006	PORSCHE	PET	PORSCHE
911	73	8	03	803-00		203					

Pos	Part Number	Name	Remarks	Qty	Model	Pos	Part Number	Name	Remarks	Qty	Model
12	901 511 052 20	lid lock lower part		1		29	901 511 075 25	support		1	
13	644 511 511 01	return spring		1		30	900 016 015 02	half-round screw AM5 X 8		2	
(14)	900 378 030 09	hexagon-head bolt M6 X 20		2		31	900 151 027 02	washer B5,3		2	
14	900 075 162 02	hexagon-head bolt M6 X 16		2		32	900 028 002 01	spring washer A5		2	
15	900 027 014 01	lock ring B6		2		33	900 076 027 02	hexagon nut M5		2	
16	900 151 029 02	washer B6,4		2		34	901 511 725 41	cover plate		1	
17	900 187 004 02	hexagon-head tapping screw B4,8 X 19		1		35	N 010 225 4	hexagon-head bolt M5 X 8		2	
18	900 025 003 02	washer 5,3		1		36	900 027 003 01	lock ring A5		2	
19	900 075 162 02	hexagon-head bolt M6 X 16		3		37	901 511 901 02	seal		1	
20	900 027 014 01	lock ring B6		3		38	901 511 911 00	cover plate		1	
21	N 011 524 7	washer 6,4		3		39	999 591 510 40	plastic rivet		2	
22	999 703 036 50	rubber buffer		4				- - - E N D - - -			
(23)	901 511 071 20	lid-release cable		1							
(24)	901 511 073 20	lid-release cable		1							
24	911 511 061 40	lid-release cable		1	TARGA						
25	901 511 791 21	rubber washer		1							
26	901 552 813 20	handle		1							
27	911 511 903 00	lock w/o stipulated lock number		1							
27	911 511 904 00	lock with stipulated lock-no. state lock number		1							
28	914 531 637 10	main key state lock number		1							
(28)	914 531 903 10	blank key		1							
28	914 531 903 11	blank key state lock number		2							

Model	Year	MG	SG	Illustration	Restrictions	Update	12:14	21.08.2006	PORSCHE	PET	PORSCHE
911	73	8	03	803-05		203					

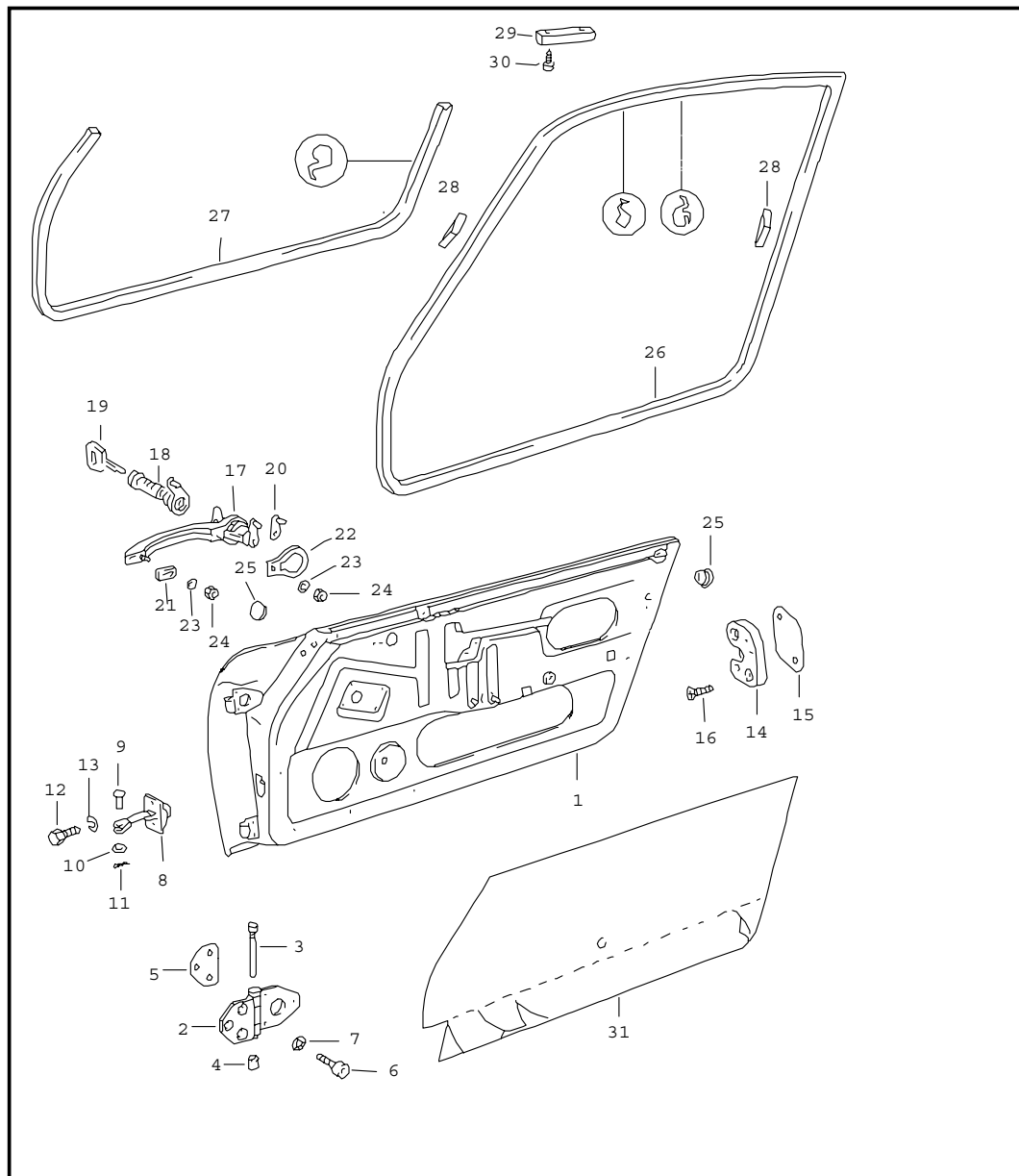


Pos	Part Number	Name	Remarks	Qty	Model
1	911 512 010 10	cover rear steel		1	
1	911 512 010 00	cover aluminium		1	
-	999 702 076 50	rubber sleeve version without rear window wiper		1	
-	911 512 905 00	cover rear with spoiler		1	
-	911 512 511 00	main support for support		X	
-	911 512 513 00	support		X	
-	911 512 515 00	bolt with cotter pin		X	
-	911 512 517 00	locking segment		X	
-	900 145 052 02	rais. counters. h. tap. s. B3,9 X 9,5		X	
2	911 512 035 00	hinge	/L	1	
3	901 512 036 20	hinge	/R	1	
4	901 512 331 20	gas prop		1	
(4)	911 512 331 00	gas prop for cover aluminium		1	
5	999 087 003 02	bolt with bore		2	
6	901 351 955 10	safety seal		2	
7	901 512 471 20	bolt		2	
8	900 025 007 02	washer 8,4		2	
9	900 910 023 02	lock nut		2	

Model	Year	MG	SG	Illustration	Restrictions	Update	12:14	21.08.2006	PORSCHE	PET	PORSCHE
911	73	8	03	803-05		203					

Pos	Part Number	Name	Remarks	Qty	Model	Pos	Part Number	Name	Remarks	Qty	Model
10	900 075 011 02	pan-head screw M6 X 2		4							
11	900 027 014 01	lock ring B6		4							
12	900 151 029 02	washer B6,4		4							
13	N 011 524 7	washer 6,4		4							
14	930 512 052 00	lock upper part upper part		1							
15	901 511 512 20	spring		1							
16	900 075 162 02	hexagon-head bolt M6 X 16		2							
17	900 027 014 01	lock ring B6		2							
18	900 151 029 02	washer B6,4		2							
19	901 512 052 00	lid lock lower part		1							
20	900 075 162 02	hexagon-head bolt M6 X16		2							
21	900 027 014 01	lock ring B6		2							
22	N 011 524 7	washer 6,4		2							
23	644 511 511 01	return spring		1							
24	999 703 036 50	rubber stop		2							
25	901 511 071 21	lid-release cable		1							
26	901 511 073 20	lid-release cable		1							
27	901 511 791 21	rubber washer		1							
28	901 552 813 20	handle		1							
		- - - E N D - - -									

Model	Year	MG	SG	Illustration	Restrictions	Update	12:14	21.08.2006	PORSCHE	PET	PORSCHE
911	73	8	04	804-00		203					



Pos	Part Number	Name	Remarks	Qty	Model
		doors with installation parts			
(1)	911 531 005 00	bare door shell it is necessary to rework	/L -71	1	
(1)	911 531 005 06	bare door shell it is necessary to rework	/L 72-	1	
1	911 531 006 00	bare door shell it is necessary to rework	/R -71	1	
1	911 531 006 06	bare door shell it is necessary to rework	/R 72-	1	
2	901 531 031 20	hinge		4	
3	901 531 305 20	pin for door hinge		4	
4	901 531 311 20	bush		8	
5	901 531 391 20	desk pad		4	
6	N 014 707 4	pan-head screw M8 X 15	-71	12	
6	900 075 085 02	hexagon-head bolt M8 X 20	72-	12	
7	999 523 102 02	lock washer		12	
(8)	911 531 037 00	door support	-72	2	
8	911 531 057 01	door support	73-	2	
9	900 088 009 02	bolt 6H11 X 14 X 11	-70	2	
(9)	900 088 014 02	bolt	71	2	
(9)	911 531 615 01	tensioning sleeve	72-	2	
10	900 232 001 02	washer 7		4	
11	900 021 002 02	cotter pin 1,5 X 10		4	
(12)	N 014 761 2	pan-head screw M6 X 12	-72	4	
12	N 010 207 6	hexagon-head bolt M5 X 12	73-	4	
13	900 027 014 01	lock ring B6	-70	4	
13	999 523 106 01	lock washer	72-	4	

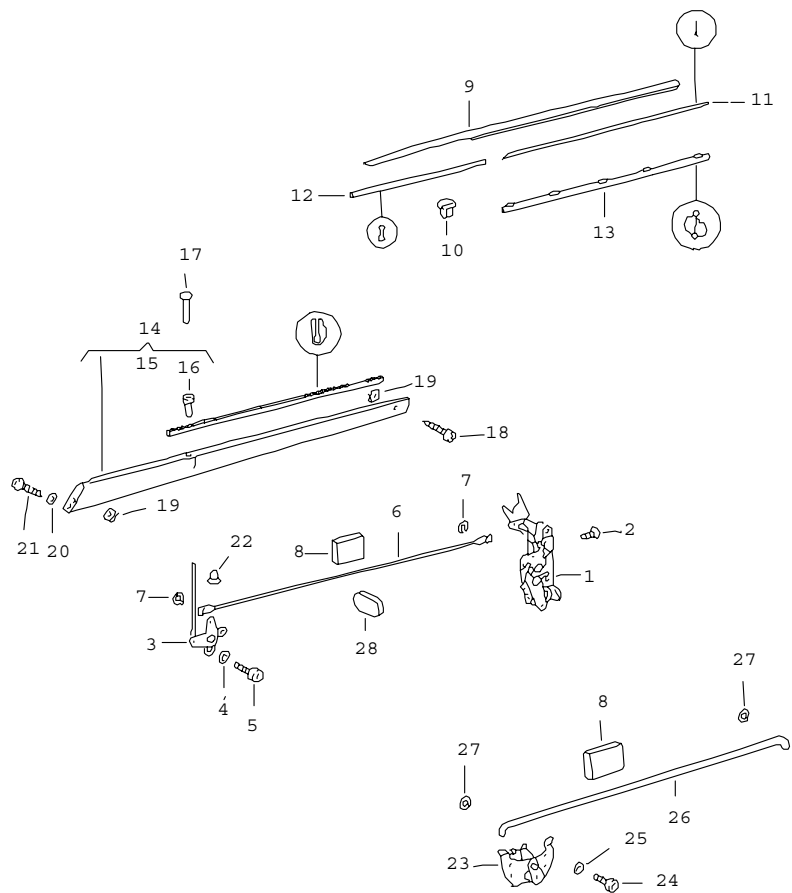
Model	Year	MG	SG	Illustration	Restrictions	Update	12:14	21.08.2006	PORSCHE	PET	PORSCHE
911	73	8	04	804-00		203					

Pos	Part Number	Name	Remarks	Qty	Model	Pos	Part Number	Name	Remarks	Qty	Model
(14)	901 531 701 23	door lock striker	/L -72	1		18	911 531 944 00	lock cylinder with 2 secondary keys	/R 72-	1	
(14)	993 531 029 00	door lock striker	/L 73-	1		18	911 531 948 00	lock cylinder with 2 secondary keys state lock number	/R 72-	1	
14	901 531 702 23	door lock striker	/R -72	1		19	914 531 637 10	main key state lock number		2	
(14)	993 531 030 00	door lock striker	/R 73-	1		(19)	914 531 903 11	blank key state lock number		2	
(15)	901 531 703 23	shim 1 MM		X		(19)	914 531 903 10	blank key for main key		2	
15	901 531 703 24	shim 2 MM		X		(19)	914 531 903 10	blank key for secondary key		2	
16	999 147 001 02	countersunk-head screw M8 X 35	WW	4		20	901 531 920 20	actuating lever		X	
16	999 219 008 00	countersunk-head screw M8 X 40	WW	4		21	911 531 631 00	desk pad front		2	
(17)	911 531 061 00	outer door handle	/L -71	1		22	911 531 632 00	desk pad rear		2	
(17)	911 531 062 00	outer door handle	/R -71	1		23	900 025 003 02	washer 5,3		4	
-	PCG 531 060 00	outer door handle chrome comprising: handle left and right with lock cylinder		1		24	999 084 102 02	lock nut		4	
-	911 538 901 14	set of locks comprising: outer door handle left and right steering lock glove compartment lock for luggage compartment		1		25	999 703 119 40	plug one groove 2 MM		14	
(17)	911 531 941 00	outer door handle	/L/R 72-	2		(25)	999 703 040 50	cap one groove 3 MM		14	
(18)	911 531 601 00	lock cylinder state lock number	-71	2		(26)	911 531 933 01	door seal	/L -71	1	COUPE
(18)	911 531 943 00	lock cylinder with 2 secondary keys	/L 72-	1		(26)	911 531 095 00	door seal	/L 72-	1	COUPE
(18)	911 531 947 00	lock cylinder with 2 secondary keys state lock number	/L 72-	1		(26)	911 531 934 01	door seal	/R -71	1	COUPE
						26	911 531 096 00	door seal	/R 72-	1	COUPE
						27	902 531 093 40	door seal		2	TARGA
						28	901 531 945 20	desk pad		4	
						29	901 531 753 00	stop		2	
						30	N 013 954 2	oval-head sheetmetal screw B2,9 X 13		4	

Model	Year	MG	SG	Illustration	Restrictions	Update	12:14	21.08.2006	PORSCHE	PET	PORSCHE
911	73	8	04	804-00		203					

Pos	Part Number	Name	Remarks	Qty	Model	Pos	Part Number	Name	Remarks	Qty	Model
(31)	901 531 089 00	sealing film door inner panel	/L	2							
(31)	911 531 889 00	seal door inner panel	/L	1							
31	901 531 090 00	sealing film door inner panel	/R	1							
31	911 531 890 00	seal door inner panel	/R	1							
		- - - E N D - - -									

Model	Year	MG	SG	Illustration	Restrictions	Update	12:14	21.08.2006	PORSCHE	PET	PORSCHE
911	73	8	04	804-05		203					

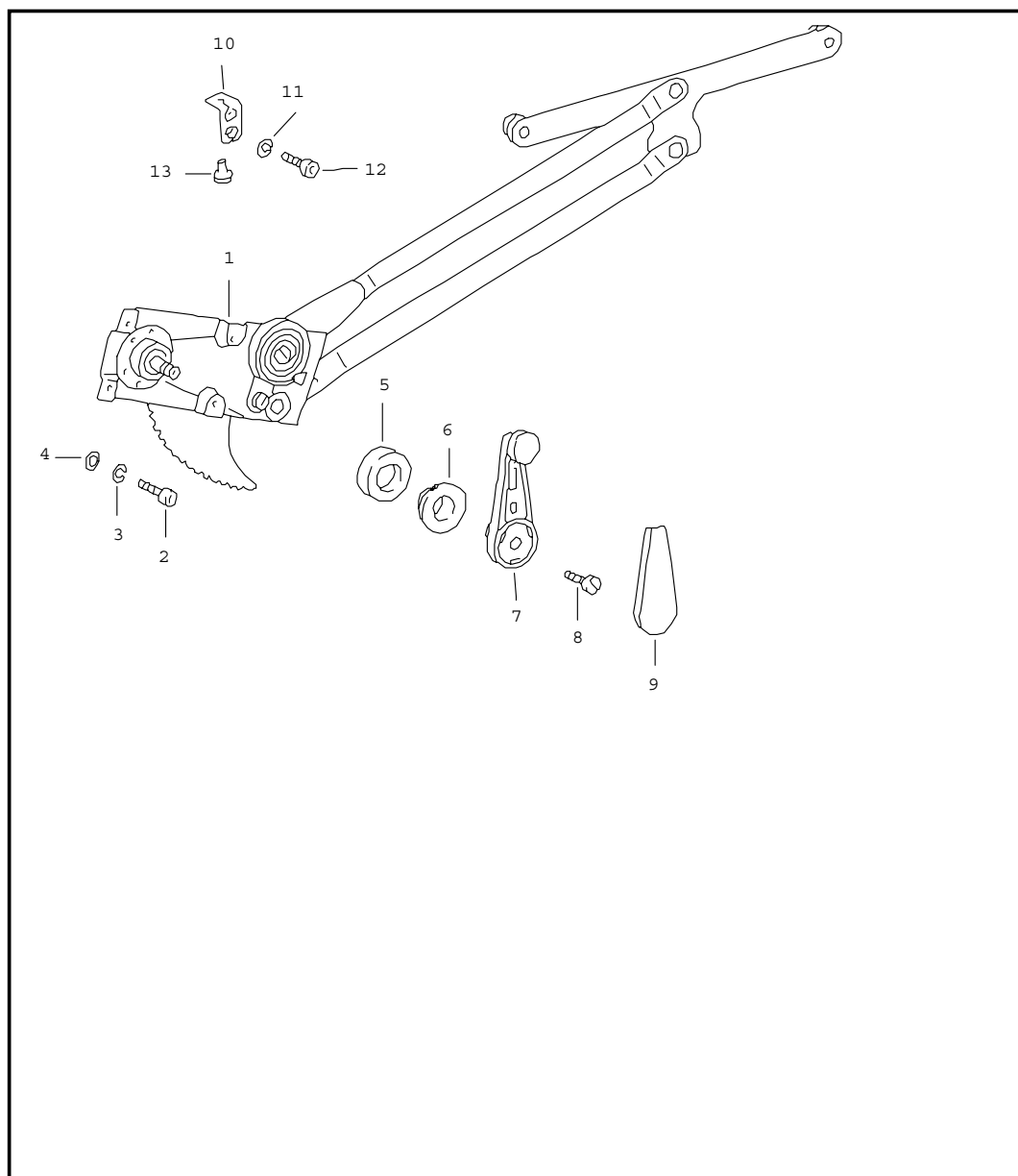


Pos	Part Number	Name	Remarks	Qty	Model
		door lock with installation parts			
(1)	911 531 053 02	door lock	/L -72	1	
(1)	911 531 053 04	door lock	/L 73-	1	
-	911 531 317 00	loop	:M	X	CARRERA 2.7
-	900 190 021 03	tubular rivet A5 X 10 X 9	:M	X	CARRERA 2.7
(1)	911 531 054 03	door lock	/LL/R-72	1	
1	911 531 054 05	door lock	/LL/R73-	1	
(1)	911 531 054 02	door lock	/RL/R-72	1	
(1)	911 531 054 04	door lock	/RL/R73-	1	
-	901 531 547 20	spring door lock	/L/R	2	
2	999 148 005 04	countersunk-head screw self-locking	-72	6	
(2)	900 148 018 04	countersunk-head screw AM6 X 12	73-	6	
(3)	911 531 075 00	mounting for push-button	/L	1	
3	911 531 076 00	mounting for push-button	/R	1	
4	N 012 225 2	spring washer B5		4	
5	900 119 034 02	pan-head screw M5 X 8		4	
6	911 531 562 00	connecting rod		2	
7	N 012 225 2	spring washer B5		4	
8	901 531 599 21	felt strip	-70	4	
8	911 531 599 00	rubber mounting	71-	4	
(9)	901 531 431 27	moulding	/L	1	COUPE
(9)	901 531 431 41	moulding	L	1	TARGA
9	901 531 432 27	moulding	/R	1	COUPE
(9)	901 531 432 41	moulding	/R	1	TARGA
10	999 591 326 02	moulding clip		14	

Model	Year	MG	SG	Illustration	Restrictions	Update	12:14	21.08.2006	PORSCHE	PET	PORSCHE
911	73	8	04	804-05		203					

Pos	Part Number	Name	Remarks	Qty	Model	Pos	Part Number	Name	Remarks	Qty	Model
(11)	911 531 931 02	sealing	/L	1	COUPE			- - - E N D - - -			
(11)	911 531 931 42	sealing	/L	1	TARGA						
11	911 531 932 02	sealing	/R	1	COUPE						
(11)	911 531 932 42	sealing	/R	1	TARGA						
12	901 531 933 20	sealing ventilator window		2							
(13)	901 531 935 20	sealing for door slot	/L	1							
13	901 531 936 20	sealing for door slot	/R	1							
(14)	901 555 083 00	cover strip	/L	1	COUPE						
(14)	901 555 083 00	cover strip	/L	1	TARGA						
(14)	901 555 084 00	cover strip	/R	1	COUPE						
(14)	901 555 084 00	cover strip	/R	1	TARGA						
(15)	901 531 937 25	sealing for door slot	/L	1							
15	901 531 938 25	sealing for door slot	/R	1							
16	901 531 481 22	guide sleeve		2							
17	901 531 671 21	push button		2							
18	N 013 958 7	tapping screw B3,5 X 13		2							
19	999 591 338 02	speed nut		4							
20	999 591 102 12	washer		4							
21	900 145 041 00	rais. counters. h. tap. s. B3,5 X 16		4							
22	999 591 320 51	grommet		2							
(23)	911 531 055 00	lock	/L	1							
23	911 531 056 00	lock	/R	1							
24	N 014 761 2	pan-head screw M6 X 12		4							
25	900 028 008 01	spring washer B6		4							
26	911 531 561 00	connecting rod		2							
(27)	911 531 563 00	linkage clip		8							
28	911 531 565 00	rubber mounting		4							

Model	Year	MG	SG	Illustration	Restrictions	Update	12:14	21.08.2006	PORSCHE	PET	PORSCHE
911	73	8	04	804-10		203					

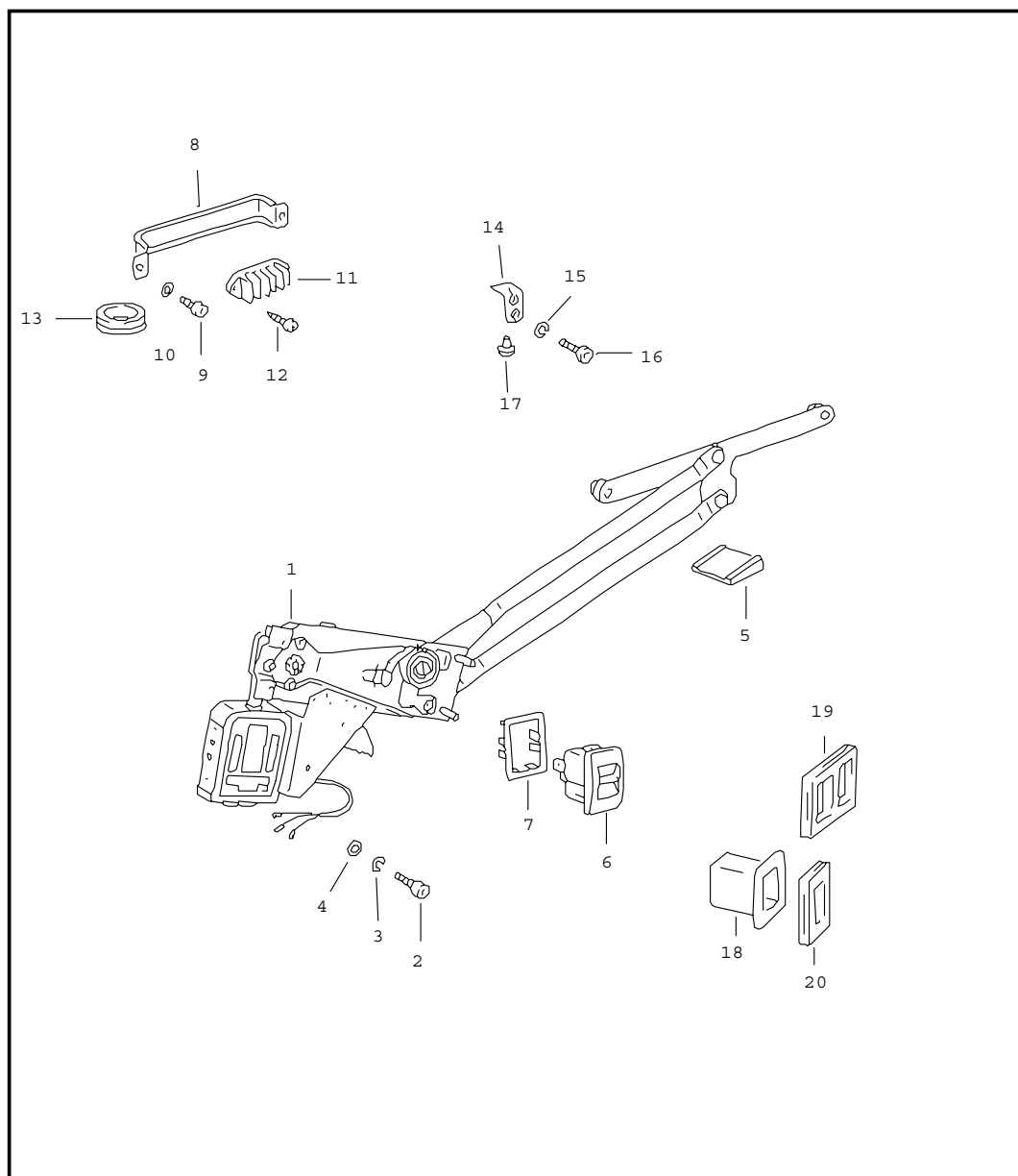


Pos	Part Number	Name	Remarks	Qty	Model
		power windows mechanical			
(1)	911 542 041 00	parallel arm window lift	/L	1	
1	911 542 042 00	parallel arm window lift	/R	1	
1	911 542 929 03	cross arm window lift use also: 911.542.057.00 911.542.491.40	/L	1	COUPE
1	911 542 930 03	cross arm window lift use also: 911.542.058.00 911.542.491.40	/R	1	COUPE
1	911 542 929 42	cross arm window lift use also: 911.542.057.42 911.542.491.40	/L	1	TARGA
1	911 542 930 42	cross arm window lift use also: 911.542.058.42 911.542.491.40	/R	1	TARGA
2	N 014 765 2	pan-head screw M6 X 10		8	
3	900 027 014 01	lock ring B6		8	
4	N 011 524 7	washer 6,4		8	
5	901 542 495 20	sealing ring		2	
6	901 552 891 20	rose		2	
7	911 542 471 00	window crank		2	
8	911 542 475 00	conical screw		2	
(9)	901 542 482 20	cover	-71	2	
9	901 542 482 20	cover	72-	2	
10	901 542 411 40	stop		2	
11	900 028 008 01	lock ring A6		4	
12	N 014 765 2	pan-head screw M6 X 10		4	
13	999 703 064 50	rubber buffer		2	

Model	Year	MG	SG	Illustration	Restrictions	Update	12:14	21.08.2006	PORSCHE	PET	PORSCHE
911	73	8	04	804-10		203					

Pos	Part Number	Name	Remarks	Qty	Model	Pos	Part Number	Name	Remarks	Qty	Model
		- - - E N D - - -									

Model	Year	MG	SG	Illustration	Restrictions	Update	12:15	21.08.2006	PORSCHE	PET	PORSCHE
911	73	8	04	804-15		203					

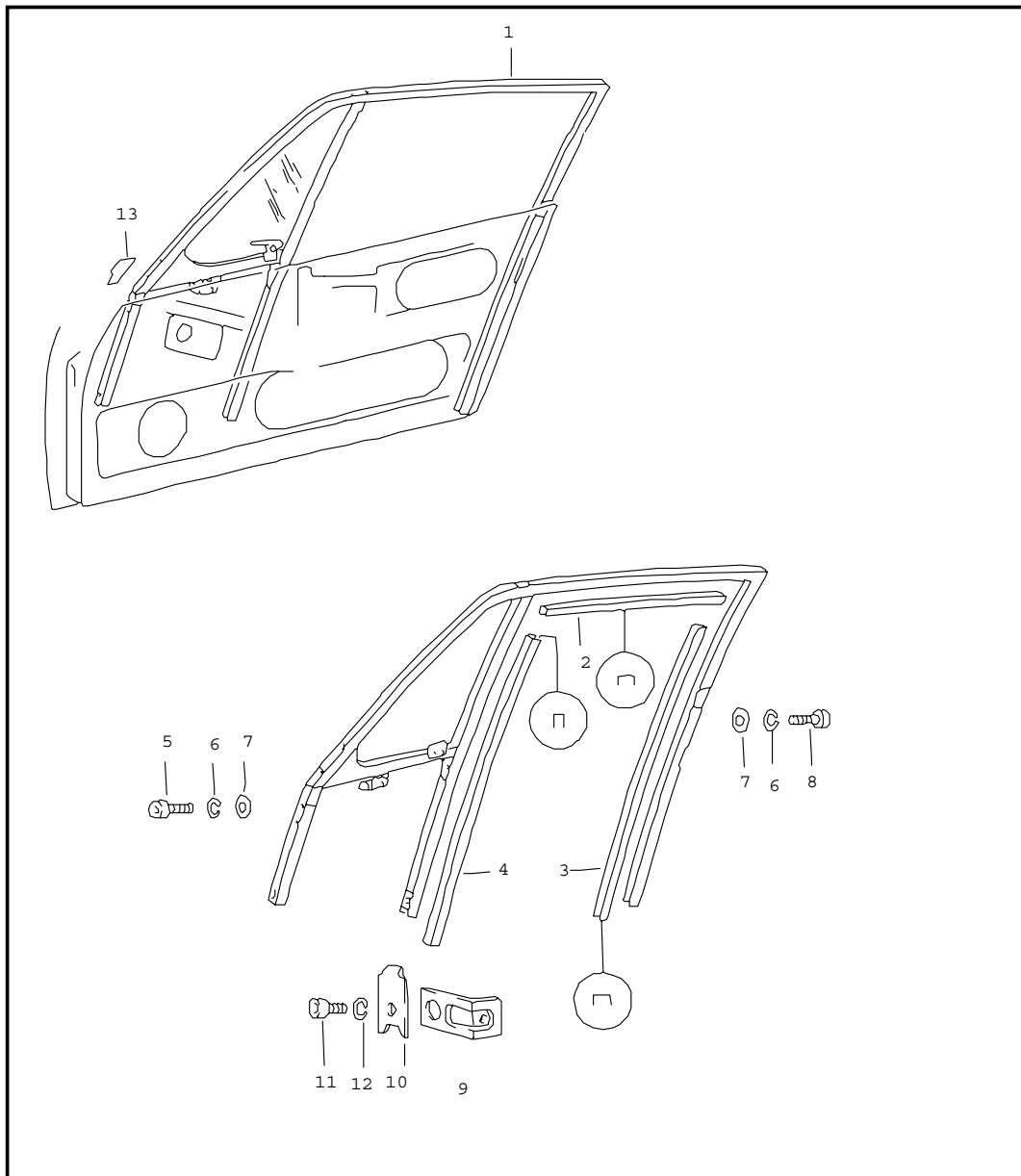


Pos	Part Number	Name	Remarks	Qty	Model
		power windows electric			
(1)	911 542 003 25	power windows	/L -72	1	
(1)	911 542 003 26	power windows	/L 73-	1	
1	911 542 004 25	power windows	/R -72	1	
1	911 542 004 26	power windows	/R 73-	1	
-	901 624 102 01	motor	-72	2	
-	911 624 015 01	motor	/L 73-	1	
-	911 624 014 01	motor	/R 73-	1	
-	901 624 103 00	transmission		2	
-	911 542 929 01	parallel arm window lift	-72	1	
-	911 542 929 00	parallel arm window lift	73-	1	
-	911 542 930 01	parallel arm window lift	-72	1	
-	911 542 930 00	parallel arm window lift	73-	1	
-	901 624 105 00	clutch		2	
2	900 186 122 02	pan-head screw M6 X 12		8	
3	900 027 014 01	lock ring B6		8	
4	N 011 524 7	washer 6,4		8	
5	901 542 063 00	thrust wedge		2	
6	901 613 621 00	switch	-72	3	
(6)	911 613 621 01	switch	73-	3	
7	901 613 635 00	wiper frame	-72	3	
(7)	911 613 635 20	wiper frame	73-	3	
8	901 531 083 00	bracket		2	
9	900 014 046 02	pan-head screw M4 X 10		4	
10	900 027 011 01	lock ring B4		4	
11	901 612 898 00	cable connection 5-pole		2	

Model	Year	MG	SG	Illustration	Restrictions	Update	12:15	21.08.2006	PORSCHE	PET	PORSCHE
911	73	8	04	804-15		203					

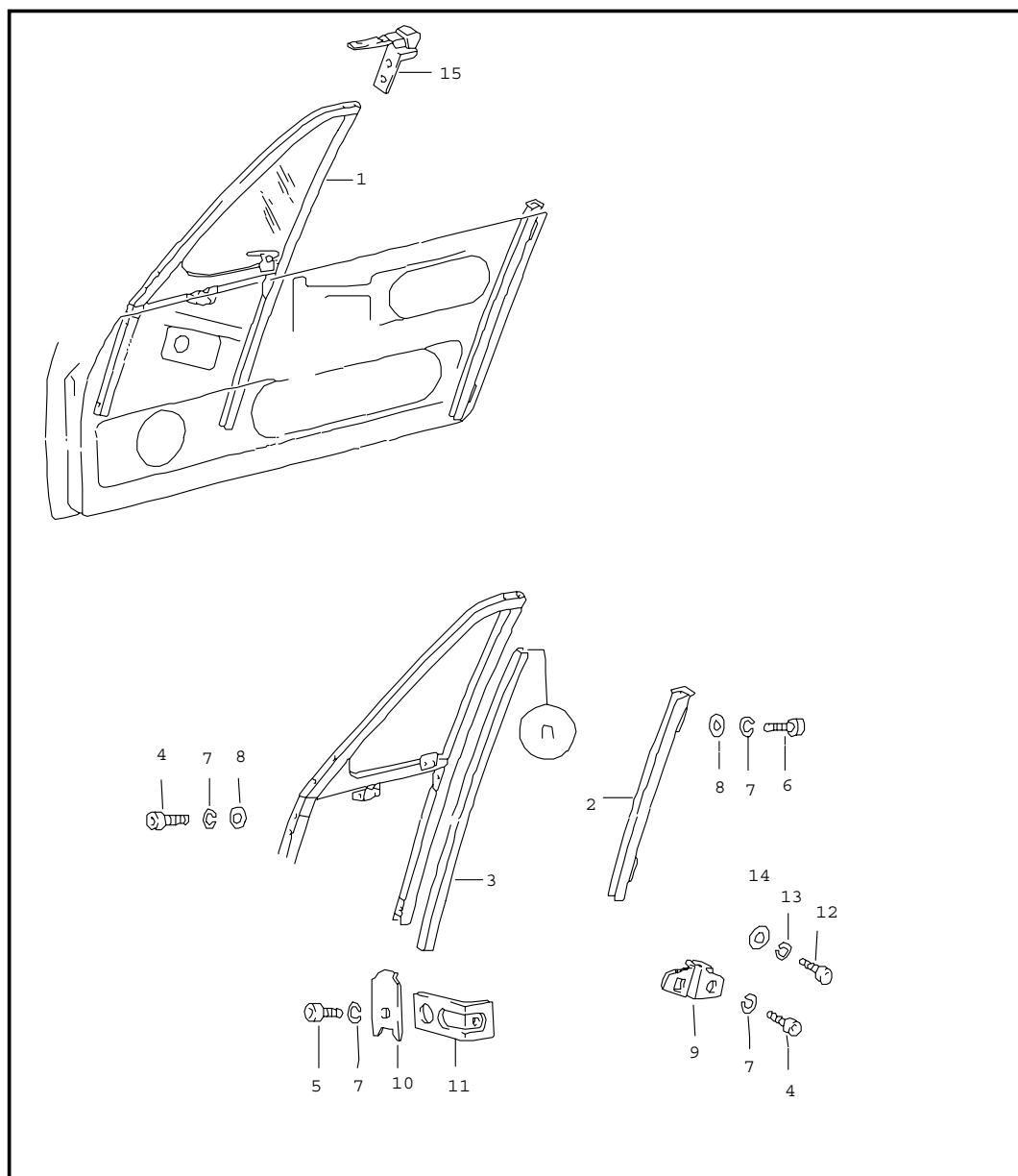
Pos	Part Number	Name	Remarks	Qty	Model	Pos	Part Number	Name	Remarks	Qty	Model
12	N 013 961 2	tapping screw 3,9 X 13		4							
13	999 702 026 50	rubber sleeve		2							
14	901 542 411 40	stop		2							
15	900 028 008 01	lock ring A6		4							
16	N 014 765 2	pan-head screw M6 X 10		4							
17	999 703 064 50	rubber buffer		2							
18	911 613 623 00	grommet		X							
19	911 613 637 00	seal	/L	X							
20	911 613 638 00	seal	/R	X							
		- - - E N D - - -									

Model	Year	MG	SG	Illustration	Restrictions	Update	12:15	21.08.2006	PORSCHE	PET	PORSCHE
911	73	8	04	804-20		203					



Pos	Part Number	Name	Remarks	Qty	Model
		door glass frame			COUPE
(1)	901 542 021 27	door glass frame	/L	1	
(1)	901 542 022 27	door glass frame	/R	1	
(2)	911 542 905 00	window guide		2	
3	911 542 905 00	window guide		2	
4	911 542 905 00	window guide		2	
5	900 119 052 02	pan-head screw M8 X 15		4	
6	900 027 015 02	lock ring B8		10	
7	900 025 007 02	washer 8,4		8	
8	999 218 008 02	pan-head screw M8 X 12		4	
9	911 542 061 00	retaining bracket		2	
10	901 542 252 25	desk pad		2	
11	N 014 761 2	pan-head screw M6 X 20	WW	2	
11	900 119 052 02	pan-head screw M8 X 16	WW	2	
12	900 027 014 01	lock ring B6	WW	4	
12	900 027 015 02	lock ring B8	WW	4	
(13)	911 531 711 00	joint rubber	/V/L	2	
13	911 531 712 00	joint rubber	/V/R	2	
(13)	911 531 713 00	joint rubber	/H/L	2	
(13)	911 531 714 00	joint rubber	/H/R	2	
- - - E N D - - -					

Model	Year	MG	SG	Illustration	Restrictions	Update	12:15	21.08.2006	PORSCHE	PET	PORSCHE
911	73	8	04	804-25		203					

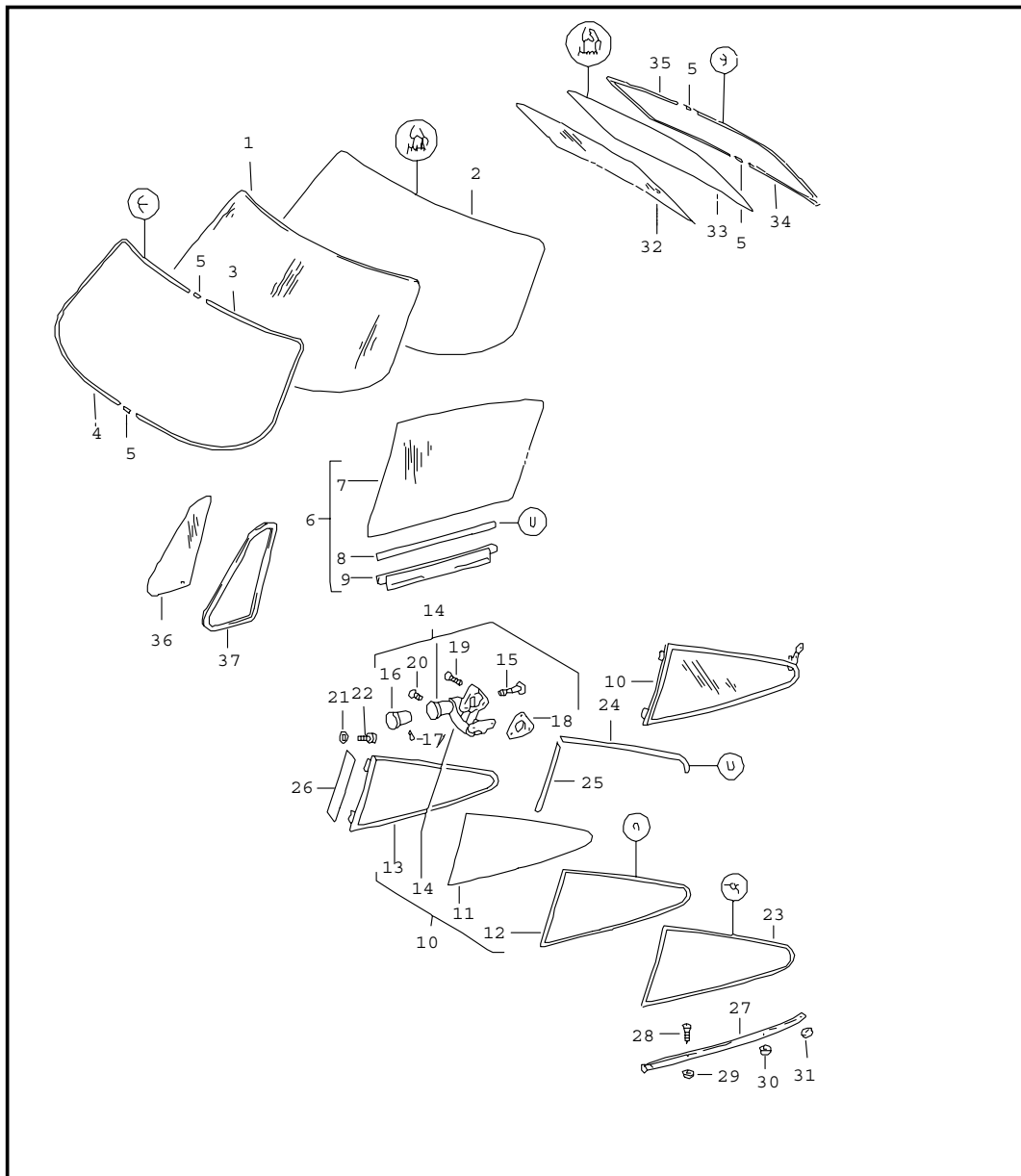


Pos	Part Number	Name	Remarks	Qty	Model
		door glass frame			TARGA
(1)	901 542 005 43	door glass frame	/L	1	
(1)	901 542 005 48	door glass frame with ventilator window green	/L	1	
(1)	901 542 006 43	door glass frame	/R	1	
(1)	901 542 006 48	door glass frame with ventilator window green	/R	1	
-	901 542 021 41	door glass frame chrome without ventilator window	/L	1	
-	901 542 022 41	door glass frame chrome without ventilator window	/R	1	
-	901 542 021 48	door glass frame black without ventilator window	/L	1	
-	901 542 021 48	door glass frame black without ventilator window	/R	1	
(2)	901 542 023 40	guide	/H/L	1	
2	901 542 024 40	window guide	/H/R	1	
3	911 542 905 00	window guide	V	2	
4	N 014 765 2	pan-head screw M6 X 10		4	
5	N 014 761 2	pan-head screw M6 X 12		2	
6	900 119 035 02	pan-head screw M6 X 8		6	
7	900 027 014 01	lock ring B6		14	
8	N 011 524 7	washer 6,4		8	
(9)	901 542 235 40	clamping spring	/L	1	

Model	Year	MG	SG	Illustration	Restrictions	Update	12:15	21.08.2006	PORSCHE	PET	PORSCHE
911	73	8	04	804-25		203					

Pos	Part Number	Name	Remarks	Qty	Model	Pos	Part Number	Name	Remarks	Qty	Model
9	901 542 236 40	clamping spring	/R	1							
10	901 542 252 25	desk pad		2							
11	911 542 061 00	retaining bracket		2							
12	N 014 761 2	pan-head screw M6 X 12		2							
13	900 027 014 01	lock ring B6		2							
14	N 011 524 7	washer 6,4		2							
(15)	911 542 065 41	frame connection	/L	1							
15	911 542 066 41	frame connection	/R	1							
		- - - E N D - - -									

Model	Year	MG	SG	Illustration	Restrictions	Update	12:15	21.08.2006	PORSCHE	PET	PORSCHE
911	73	8	05	805-00		203					



Pos	Part Number	Name	Remarks	Qty	Model
		windows			COUPE
1	901 541 101 21	windscreen		1	
(1)	901 541 101 31	windscreen green		1	
2	901 541 901 20	windscreen sealing		1	
3	901 541 911 20	trim frame-half	/L	1	
4	901 541 912 20	trim frame-half	/R	1	
5	644 541 921 06	covering plate		4	
6	901 542 011 27	door glass	/L	1	
(6)	901 542 012 27	door glass	/R	1	
(6)	901 542 011 37	door glass green	/L	1	
(6)	901 542 012 37	door glass green	/R	1	
(7)	901 542 101 25	door glass 4,2 MM	/L :M	1	CARRERA 2.7
(7)	901 542 101 25	side window	/L	1	
(7)	901 542 102 25	door glass 4,2 MM	/R :M	1	CARRERA 2.7
(7)	901 542 102 25	side window	/R	1	
(7)	901 542 101 35	side window green	/L	1	
(7)	901 542 102 35	side window green	/R	1	
8	911 542 491 40	rubber ply		2	
9	901 542 045 23	window lifter rail	/L	1	
(9)	901 542 046 23	window lifter rail	/R	1	
(10)	901 543 011 25	ventilator window	/L	1	
(10)	901 543 012 25	ventilator window	/R	1	
(10)	901 543 011 35	ventilator window green	/L	1	
(10)	901 543 012 35	ventilator window green	/R	1	

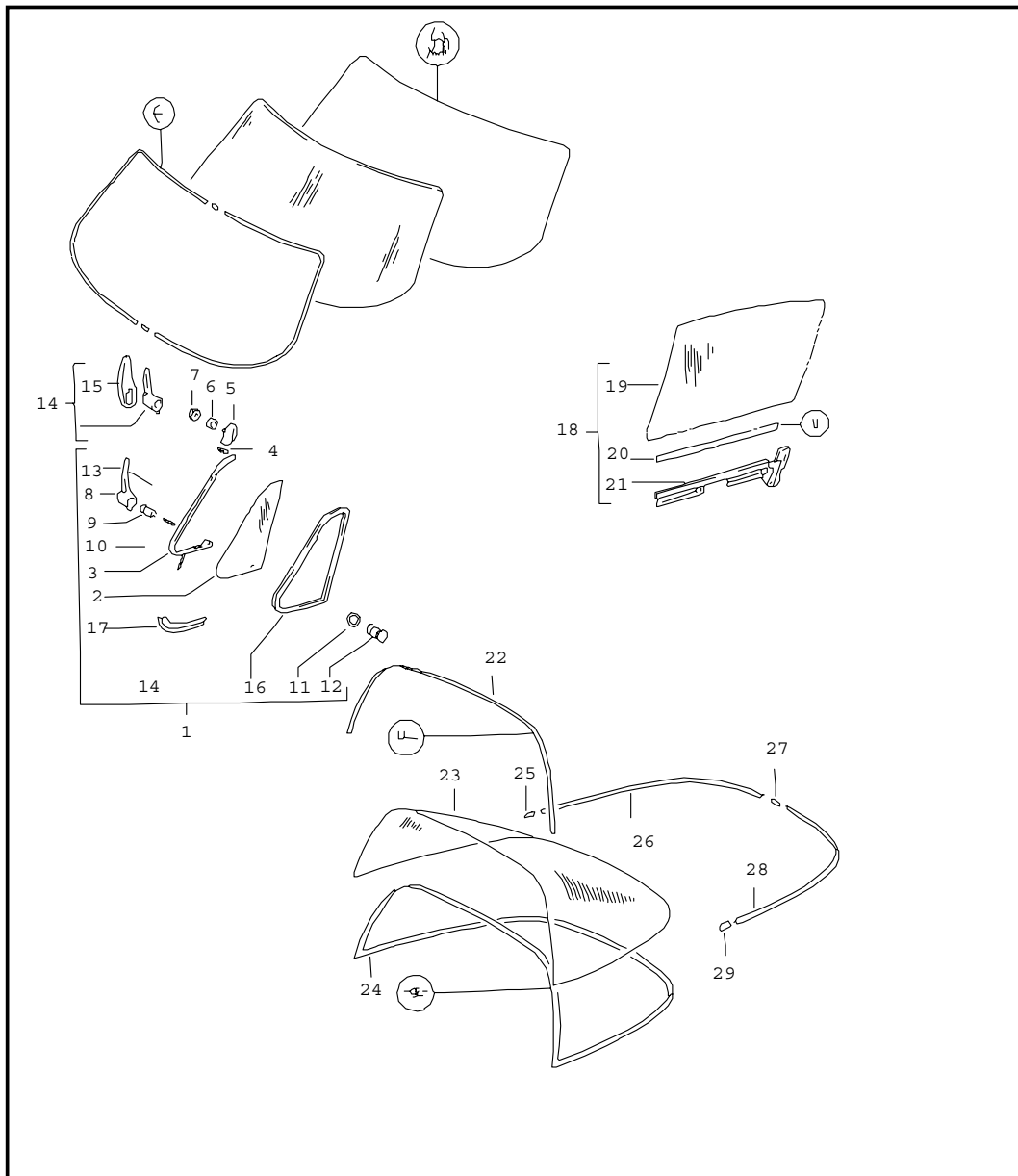
Model	Year	MG	SG	Illustration	Restrictions	Update	12:15	21.08.2006	PORSCHE	PET	PORSCHE
911	73	8	05	805-00		203					

Pos	Part Number	Name	Remarks	Qty	Model	Pos	Part Number	Name	Remarks	Qty	Model
(11)	911 543 101 01	rear glass	/L :M	1	CARRERA 2.7	(27)	901 543 922 25	moulding	/R	1	
(11)	901 543 101 20	side window glass	/L	1		28	900 144 009 00	counters. head tapp. screw B2,9 X 13		12	
(11)	901 543 101 30	side window glass green	/L	1		29	901 543 419 20	spacer 4,0		6	
(11)	911 543 102 01	rear glass	/R :M	1	CARRERA 2.7	30	901 543 421 20	spacer 1,5		2	
11	901 543 102 20	side window glass	/R	1		31	901 543 422 20	spacer 3,0		2	
(11)	901 543 102 30	side window glass green	/R	1		32	911 545 105 00	rear window 150 W		1	
12	901 543 191 20	sealing frame		2		(32)	911 545 105 00	rear window 150 W	:M	1	CARRERA 2.7
13	901 543 015 25	frame	/L	1				4,2 MM			
(13)	901 543 016 25	frame	/R	1		-	911 543 439 00	retaining strip for 911.545.102.01	:M	X	CARRERA 2.7
14	901 543 041 21	hinge	/L	1		-	999 190 101 30	blind rivet	:M	X	CARRERA 2.7
(14)	901 543 042 21	hinge	/R	1		(32)	911 545 107 00	rear window 100/300 W green		1	
15	644 543 416 00	threaded bolt		2		33	901 545 901 21	windscreen sealing		1	
16	644 552 820 03	knob		2		34	901 545 911 20	trim frame-half	/L	1	
17	900 043 002 00	threaded pin M3 X 4		2		35	901 545 912 20	trim frame-half	/R	1	
18	901 543 491 21	desk pad		2		-	911 543 035 00	sealing frame	/L :M	X	CARRERA 2.7
19	900 148 023 02	countersunk-head screw M4 X 15		6		-	911 543 036 00	sealing frame	/R :M	X	CARRERA 2.7
20	900 148 002 02	countersunk-head screw M4 X 6		4		-	911 543 419 00	moulding	/L :M	X	CARRERA 2.7
21	999 025 109 02	washer 5,3		8		-	911 543 420 00	moulding	/R :M	X	CARRERA 2.7
22	900 186 035 02	pan-head screw M5 X 8		8		-	911 543 197 00	moulding	/V :M	X	CARRERA 2.7
23	901 543 901 20	sealing frame	/L	1		-	911 543 187 00	covering plate upper	:M	X	CARRERA 2.7
(23)	901 543 902 20	sealing frame	/R	1		-	911 543 185 00	covering plate lower	:M	X	CARRERA 2.7
24	999 911 041 00	protective edging		2							
25	901 543 423 00	protective edging		2							
26	901 543 493 20	sealing strap		2							
27	901 543 921 25	moulding	/L	1							

Model	Year	MG	SG	Illustration	Restrictions	Update	12:15	21.08.2006	PORSCHE	PET	PORSCHE
911	73	8	05	805-00		203					

Pos	Part Number	Name	Remarks	Qty	Model	Pos	Part Number	Name	Remarks	Qty	Model
-	923 543 429 00	moulding	/L :M	X	CARRERA 2.7						
-	923 543 429 00	moulding	/R :M	X	CARRERA 2.7						
36	901 542 501 27	side window	/L	1							
(36)	901 542 501 27	side window 4,2 MM	/L :M	1	CARRERA 2.7						
(36)	901 542 502 27	side window	/R	1							
(36)	901 542 502 27	side window 4,2 MM	/R :M	1	CARRERA 2.7						
(36)	911 542 511 00	side window green	/L	1							
(36)	911 542 512 00	side window	/R	1							
37	901 542 921 21	sealing frame		2							
		- - - E N D - - -									

Model	Year	MG	SG	Illustration	Restrictions	Update	12:16	21.08.2006	PORSCHE	PET	PORSCHE
911	73	8	05	805-05		203					

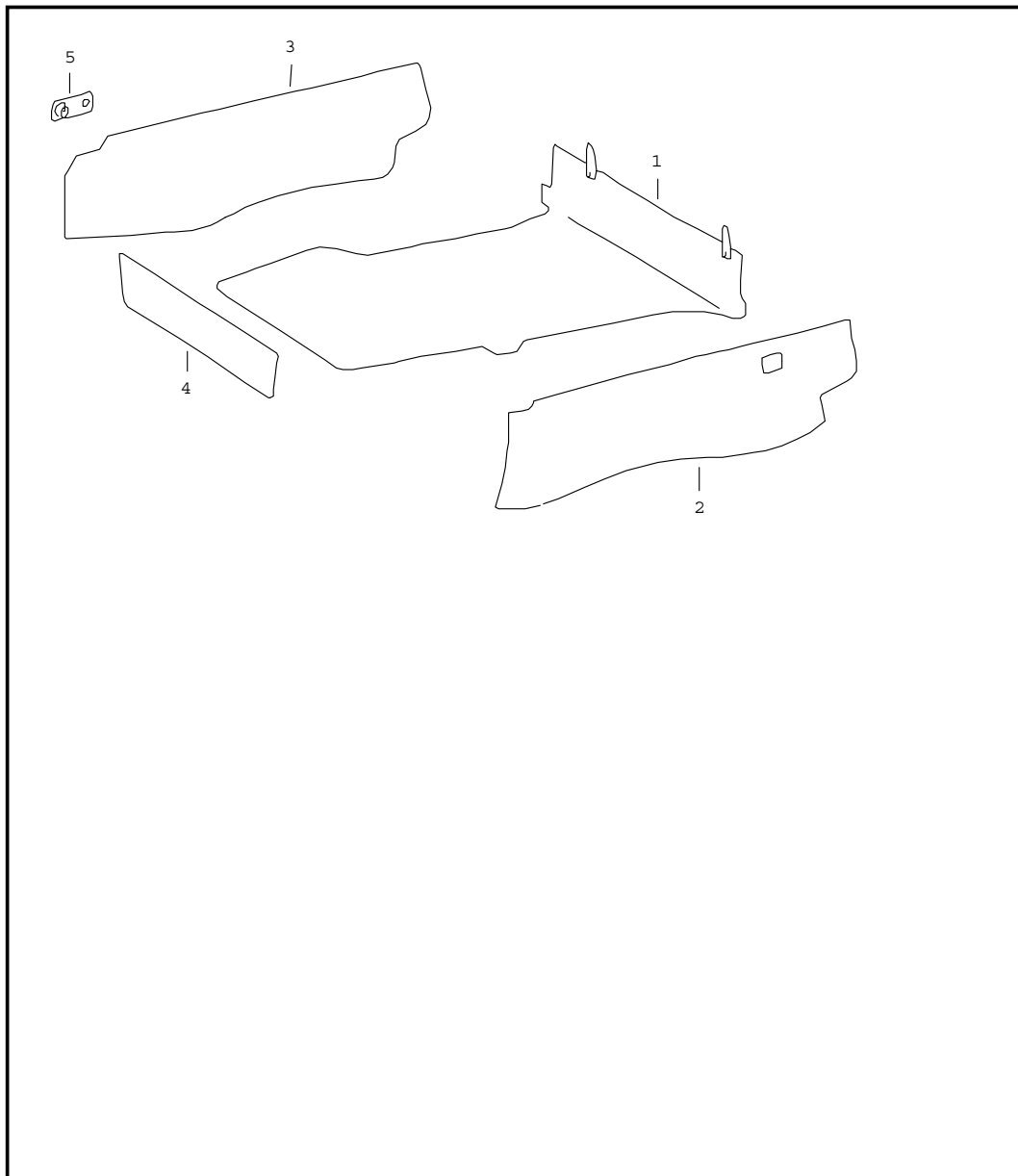


Pos	Part Number	Name	Remarks	Qty	Model
		windows			TARGA
		windscreen			
		see illustrations			
		8/05/00			
		POS. 1			
		see classic ti			
		1/96			
(1)	901 542 051 40	ventilator window	/L	1	
(1)	901 542 052 40	ventilator window	/R	1	
(1)	901 542 051 45	ventilator window green	/L	1	
(1)	901 542 052 45	ventilator window green	/R	1	
(2)	901 542 501 40	side window	/L	1	
(2)	901 542 501 45	side window green	/L	1	
(2)	901 542 502 40	side window	/R	1	
(2)	901 542 502 45	side window green	/R	1	
3	901 542 055 40	frame	/L	1	
(3)	901 542 056 40	frame	/R	1	
4	900 025 002 40	washer 4,3		2	
5	901 542 621 22	bearing	/L	2	
(5)	901 542 622 22	bearing	/R	2	
6	644 542 625 06	spacer		2	
7	900 084 020 02	hexagon nut M4		2	
8	901 542 553 21	catch	/L	1	
(8)	901 542 554 21	catch	/R	1	
9	901 542 559 20	push button		2	
10	644 542 555 00	compression spring		2	
11	911 542 556 48	spring washer		2	
12	901 542 558 21	bearing		2	

Model	Year	MG	SG	Illustration	Restrictions	Update	12:16	21.08.2006	PORSCHE	PET	PORSCHE
911	73	8	05	805-05		203					

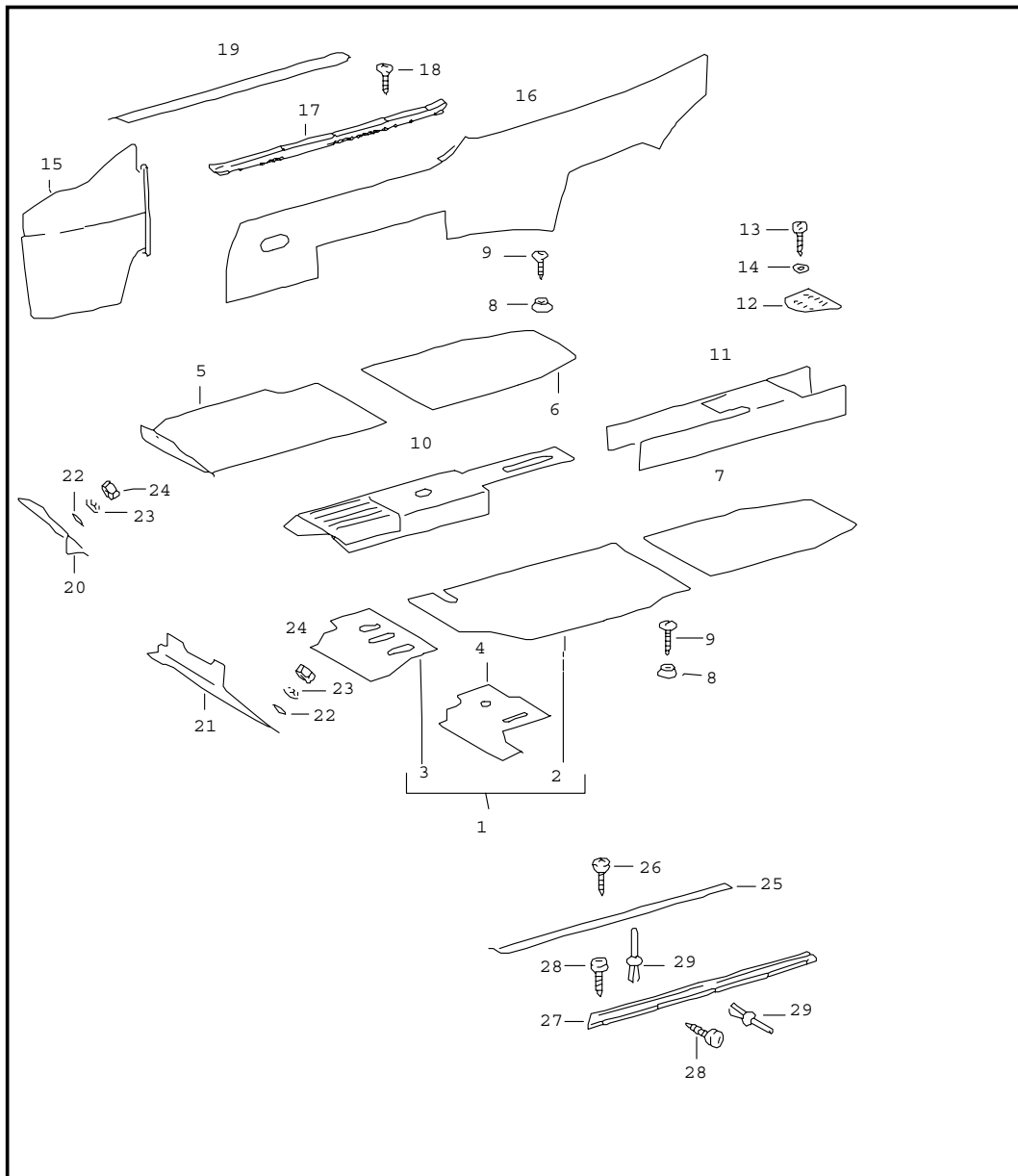
Pos	Part Number	Name	Remarks	Qty	Model	Pos	Part Number	Name	Remarks	Qty	Model
13	900 090 001 00	dowel pin 2 X 12		2							
(16)	911 542 135 40	sealing frame	/L	1							
(16)	911 542 136 40	sealing frame	/R	1							
17	901 542 513 21	water deflector	/L	1							
(17)	901 542 514 21	water deflector	/R	1							
18	901 542 011 43	door glass	/L	1							
18	901 542 011 47	door glass green	/L	1							
(18)	901 542 012 43	door glass	/R	1							
(18)	901 542 012 47	door glass green	/R	1							
19	901 542 101 40	door glass	/L	1							
(19)	901 542 101 45	door glass green	/L	1							
(19)	901 542 102 40	door glass	/R	1							
(19)	901 542 102 45	door glass green	/R	1							
20	911 542 491 40	rubber ply		2							
21	901 542 043 43	window lifter rail	/L	1							
(21)	901 542 044 43	window lifter rail	/R	1							
22	901 565 930 41	gasket		1							
23	911 565 551 03	rear window 100/300 W		1							
24	901 565 052 41	sealing frame	-71	1							
24	911 545 051 41	sealing frame	72-	1							
25	901 565 562 40	moulding end	/R	1							
26	901 565 556 40	moulding	/R	1							
27	644 541 921 06	covering plate		1							
28	901 565 555 40	moulding	/L	1							
29	901 565 561 40	moulding end	/L	1							
		- - - E N D - - -									

Model	Year	MG	SG	Illustration	Restrictions	Update	12:16	21.08.2006	PORSCHE	PET	PORSCHE
911	73	8	07	807-00		203					



Pos	Part Number	Name	Remarks	Qty	Model
		interior equipment front			
1	911 551 045 00	front-compartment carpet perlon velour version fuel tank 62 L		1	
(1)	901 551 045 26	front-compartment carpet perlon velour version fuel tank 100 L	-70	1	
2	901 551 049 25	carpet perlon velour for front trunk side wall	/L	1	
3	901 551 050 22	carpet perlon velour for front trunk side wall	/R	1	
4	901 551 406 00	front-compartment carpet perlon velour	/V -71 /V 72- /V	1	911 T/E/S 911 T-V/T-K 911 T-E/E/S
(4)	911 551 475 00	front-compartment carpet velour	/V 72-	1	911 T-E/S CARRERA 2.7
5	911 503 075 00	desk pad with push button		6	
- - - E N D - - -					

Model	Year	MG	SG	Illustration	Restrictions	Update	12:16	21.08.2006	PORSCHE	PET	PORSCHE
911	73	8	07	807-01		203					



Pos	Part Number	Name	Remarks	Qty	Model
1	901 551 011 24	interior equipment centre carpet front complete perlon indicate colour	/L -71 72-	1	911 E/S 911 S CARRERA 2.7
(1)	901 551 011 27	carpet front complete perlon velour indicate colour	/L -71 72-	1	911 T 911 T-V/T-E 911 E
(1)	901 551 011 45	carpet front complete perlon indicate colour	/L 70- 72-	1	911 S TARGA CARRERA 2.7 TARGA
(1)	901 551 011 44	carpet complete perlon velour indicate colour		1	
2	901 551 011 29	carpet left perlon velour indicate colour for cars without sportomatic	/LL/V-71 72-	1	911 E/S 911 S CARRERA 2.7
2	700	black			
2	901 551 011 29	carpet left perlon velour indicate colour for cars without sportomatic	/LL/V-71 72-	1	911 T 911 T-V/T-E 911 E
2	700	black			
2	901 551 011 29	carpet left perlon indicate colour for cars without sportomatic	/LL/V70- 72-	1	911 S TARGA CARRERA 2.7 TARGA
2	700	black			

Model	Year	MG	SG	Illustration	Restrictions	Update	12:16	21.08.2006	PORSCHE	PET	PORSCHE
911	73	8	07	807-01		203					

Pos	Part Number	Name	Remarks	Qty	Model	Pos	Part Number	Name	Remarks	Qty	Model
(2)	901 551 011 29	carpet left perlon velour indicate colour for cars without sportomatic	/LL/V72-	1	911 T-V/T-K TARGA 911 T-V/E/S TARGA	(3)	901 551 016 00	carpet right perlon velour indicate colour	/RL/V-71 72-	1	911 T 911 T-V/T-E 911 E
	700	black				(3)	901 551 015 20	carpet left perlon indicate colour for cars without sportomatic	/LL/V70- 72-	1	911 S TARGA CARRERA 2.7 TARGA
2	905 551 011 25	carpet left perlon indicate colour for cars with sportomatic	/LL/V-71 72-	1	911 E 911 S CARRERA 2.7		700	black/anthracite			
2	905 551 011 24	carpet left perlon velour indicate colour for cars with sportomatic	/LL/V-71 72-	1	911 T 911 T-V/T-E 911 E	(3)	901 551 015 20	carpet left perlon velour indicate colour for cars without sportomatic	/LL/V72-	1	911 T-V/T-K TARGA 911 T-E/E TARGA
							700	black/anthracite			
(2)	905 551 011 45	carpet left perlon indicate colour for cars with sportomatic	/LL/V70- 72-	1	911 S TARGA CARRERA 2.7 TARGA	(3)	901 551 016 41	carpet right perlon indicate colour for cars with sportomatic	/RL/V70- 72-	1	911 S TARGA CARRERA 2.7 TARGA
(2)	905 551 011 44	carpet left perlon velour indicate colour for cars without sportomatic	/LL/V72- /V	1	911 T-V/T-K TARGA 911 T-E/E TARGA	(3)	901 551 016 40	carpet right perlon velour indicate colour for cars with sportomatic	/RL/V72-	1	911 T-V/T-K 911 T-E/E
3	901 551 015 20	carpet left perlon indicate colour for cars without sportomatic	/LL/V-71 72-	1	911 E/S 911 S CARRERA 2.7	4	905 551 015 01	carpet left perlon indicate colour for cars with sportomatic	/LL/V-70 -71 72-	1	911 S 911 E 911 S CARRERA 2.7
	700	black				4	905 551 015 00	carpet left perlon velour indicate colour for cars with sportomatic	/LL/V-71 72-	1	911 T 911 T-V/T-E 911 E
3	901 551 015 00	carpet left perlon velour indicate colour	/LL/V-71 72-	1	911 T 911 T-V:SPM 911 T-E:SPM 911 E:SPM						
(3)	901 551 016 20	carpet right perlon indicate colour	/RL/V-71 72-	1	911 E/S 911 S CARRERA 2.7	(4)	905 551 016 01	carpet right perlon indicate colour for cars with sportomatic	/RL/V-70 -71 72-	1	911 S 911 E 911 S CARRERA 2.7

Model	Year	MG	SG	Illustration	Restrictions	Update	12:16	21.08.2006	PORSCHE	PET	PORSCHE
911	73	8	07	807-01		203					

Pos	Part Number	Name	Remarks	Qty	Model	Pos	Part Number	Name	Remarks	Qty	Model
(4)	905 551 016 00	carpet right perlon velour indicate colour for cars with sportomatic	/RL/V-71 72-	1	911 T 911 T-V/T-E 911 E	(5)	901 551 012 47	carpet right perlon indicate colour for cars with sportomatic	/RL/V72-	1	911 S TARGA CARRERA 2.7 TARGA
(4)	911 551 016 43	carpet right perlon indicate colour for cars with sportomatic	/RL/V70- 72-	1	911 S TARGA CARRERA 2.7 TARGA	(5)	901 551 012 44	carpet right perlon velour indicate colour for cars with sportomatic	/LL/V72-	1	911 T-V/T-K TARGA 911 T-E/E TARGA
(4)	911 551 016 44	carpet right perlon velour indicate colour for cars with sportomatic	/RL/V72-	1	911 T-V/T-K TARGA 911 T-E/E TARGA	(5)	901 551 012 46	carpet right perlon velour indicate colour for cars with sportomatic	/RL/V72-	1	911 T-V/T-K TARGA 911 T-E/E TARGA
5	901 551 012 24	carpet right perlon indicate colour for cars with sportomatic	/LL/V-71 72-	1	911 E/S 911 S CARRERA 2.7	(6)	901 551 014 22	carpet perlon indicate colour for cars with sportomatic	/H/R -71 72-	1	911 E/S 911 S CARRERA 2.7
5	901 551 012 24	carpet right perlon velour indicate colour for cars with sportomatic	/LL/V-71 72-	1	911 T 911 T-V/T-K 911 T-E/E	6	901 551 014 22	carpet perlon velour indicate colour for cars with sportomatic	/H/R -71 72-	1	911 T 911 T-V/T-K 911 T-E/E
(5)	901 551 012 28	carpet right perlon indicate colour for cars with sportomatic	/RL/V-71 72-	1	911 E/S 911 S CARRERA 2.7	(6)	911 551 122 01	carpet perlon velour black for cars with sportomatic	:M 73-	1	CARRERA 2.7
(5)	901 551 012 30	carpet right perlon velour indicate colour for cars with sportomatic	/RL/V-71 72-	1	911 T 911 T-V/T-K 911 T-E/E	7	901 551 013 22	carpet perlon indicate colour for cars with sportomatic	/L/H -71 72-	1	911 E/S 911 S CARRERA 2.7
5	901 551 012 42	carpet right perlon indicate colour for cars with sportomatic	/LL/V70- 72-	1	911 S TARGA CARRERA 2.7 TARGA	(7)	901 551 013 22	carpet perlon velour indicate colour for cars with sportomatic	/L/H -71 72-	1	911 T 911 T-V/T-K 911 T-E/E
						(7)	911 551 121 01	carpet perlon velour black for cars with sportomatic	:M 73-	1	CARRERA 2.7
						8	999 591 805 12	push button	70-	4	

Model	Year	MG	SG	Illustration	Restrictions	Update	12:16	21.08.2006	PORSCHE	PET	PORSCHE
911	73	8	07	807-01		203					

Pos	Part Number	Name	Remarks	Qty	Model	Pos	Part Number	Name	Remarks	Qty	Model
(8)	999 591 801 12	push button for carpet	71	4		(10)	911 551 411 01	carpet for tunnel 5-speed transmission perlon velour indicate colour for cars with sportomatic	/LL/V72-	1	911 T-V/E
9	900 145 043 00	rais. counters. h. tap. s. B 3,5 X 9,5	70-	4							
(9)	900 138 014 02	rais. counters. h. tap. s. B 3,5 X 13	71	4							
10	901 551 411 31	carpet for tunnel perlon indicate colour for cars with sportomatic	/LL/V-71 72-	1	911 E/S 911 S CARRERA 2.7	10	911 551 411 04	carpet for tunnel 5-speed transmission perlon indicate colour for cars with sportomatic	/RL/V72-	1	911 S
10	901 551 411 31	carpet for tunnel perlon velour indicate colour for cars with sportomatic	/LL/V-71 72-	1	911 T 911 T-V/S	(10)	911 551 411 03	carpet for tunnel 5-speed transmission perlon velour indicate colour for cars with sportomatic	/RL/V72-	1	911 T-V/E
10	901 551 411 54	carpet for tunnel perlon indicate colour for cars with sportomatic	/RL/V-71 72-	1	911 E/S 911 S CARRERA 2.7	-	999 591 801 12	push button for carpet	70-	2	
10	901 551 411 32	carpet for tunnel perlon velour indicate colour for cars with sportomatic	/RL/V-71 72-	1	911 T 911 T-V/E	-	999 591 805 12	push button	71	2	
						-	900 145 043 00	oval-head sheetmetal screw	71	2	
(10)	911 551 412 07	carpet for tunnel front perlon velour black	:M 73-	1	CARRERA 2.7	11	901 551 047 21	carpet for tunnel perlon indicate colour for cars with sportomatic	/H -71 72-	1	911 E/S 911 S CARRERA 2.7
10	901 551 411 31	carpet for tunnel 5-speed transmission perlon indicate colour for cars with sportomatic	/LL/V72-	1	911 S	(11)	901 551 047 21	carpet for tunnel perlon velour indicate colour for cars with sportomatic	/H -71 72-	1	911 T 911 T-V/T-K 911 T-E/E

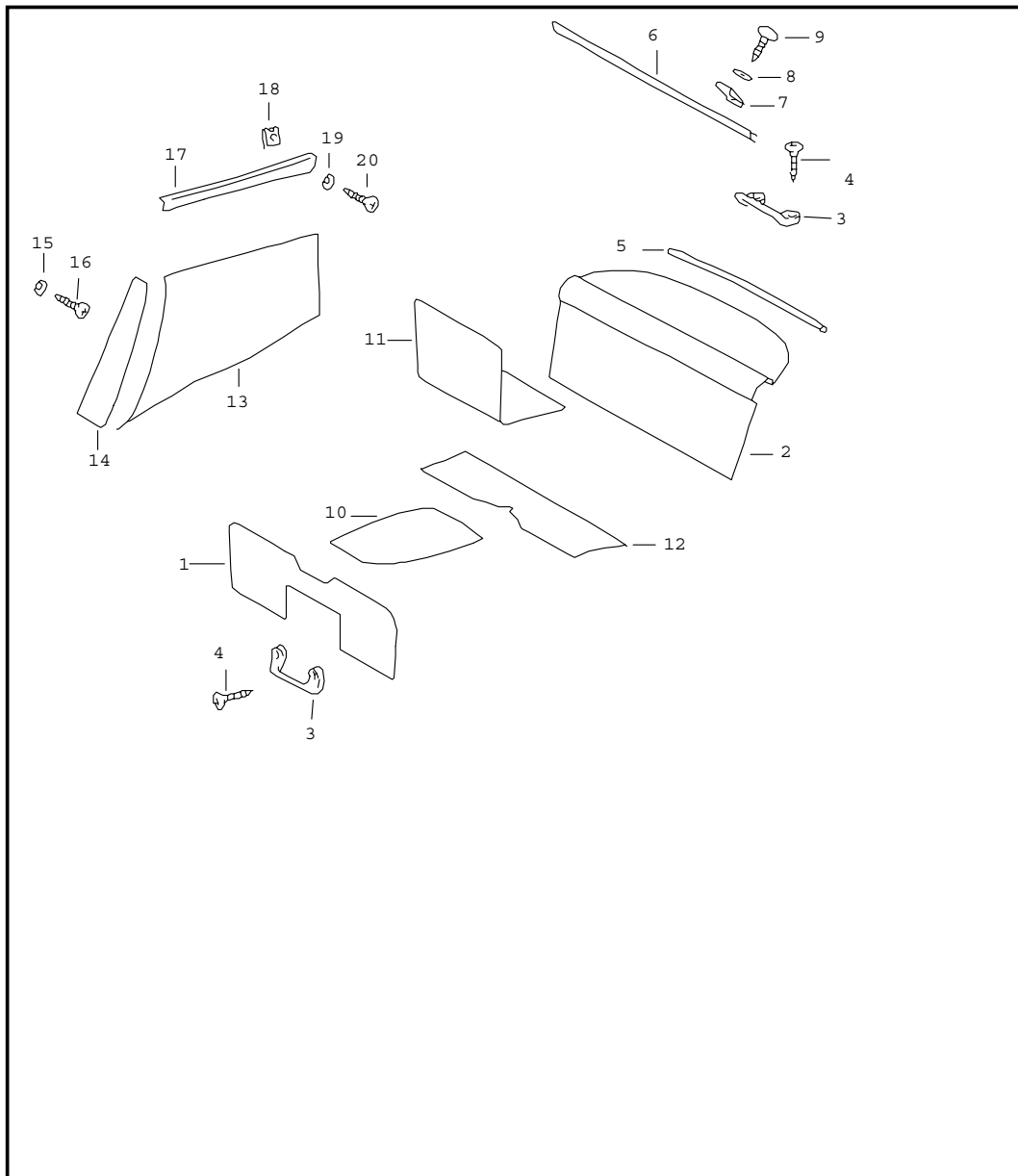
Model	Year	MG	SG	Illustration	Restrictions	Update	12:16	21.08.2006	PORSCHE	PET	PORSCHE
911	73	8	07	807-01		203					

Pos	Part Number	Name	Remarks	Qty	Model	Pos	Part Number	Name	Remarks	Qty	Model
(11)	901 551 047 21	carpet for tunnel perlon velour black for cars with sportomatic	:M 73-	1	CARRERA 2.7	(15)	911 551 057 00	carpet front perlon velour black	:M 72-	1	CARRERA 2.7
12	901 504 731 30	cover for tunnel	/H 70-	1		(15)	911 551 057 01	carpet front perlon velour black	:M 73-	1	CARRERA 2.7
(12)	901 504 731 30	cover for tunnel	/H 71-	1		(15)	901 551 041 41	carpet front perlon indicate colour	/LL/L-71 -72	1	911 E/S TARGA 911 S TARGA CARRERA 2.7 TARGA
(12)	901 504 731 30	cover for tunnel optional heating	/LL/H70- M	1		(15)	901 551 041 20	carpet front perlon velour indicate colour	/LL/L-71 72-	1	911 T TARGA 911 T-V/T-K TARGA 911 T-E/E TARGA
13	N 013 971 3	tapping screw B 4,8 X 22		4		16	901 551 043 24	adhesive carpet perlon indicate colour	/L -71	1	911 E/S
14	900 031 006 40	washer 5,3		4		(16)	901 551 043 24	adhesive carpet perlon indicate colour	/L 72-	1	911 S CARRERA 2.7
(15)	901 551 041 20	carpet perlon indicate colour	/V/L -71 72-	1	911 E/S 911 S CARRERA 2.7	-	900 145 042 00	rais. counters. h. tap. s. B 3,5 X 22	72-	2	
(15)	901 551 041 20	carpet perlon velour indicate colour	/V/L -71 72-	1	911 T 911 T-V/T-K 911 T-E/E	(16)	901 551 043 24	adhesive carpet perlon velour indicate colour	/L -71	1	911 T
(15)	901 551 042 20	carpet front perlon indicate colour	/LL/R-71 72-	1	911 E/S 911 S CARRERA 2.7	(16)	901 551 043 24	adhesive carpet perlon velour indicate colour	/L 72-	1	911 T-V/T-K 911 T-E/E
(15)	901 551 042 20	carpet front perlon velour indicate colour	/LL/R-71 72-	1	911 T 911 T-V/T-K 911 T-E/E	(16)	901 551 044 24	adhesive carpet perlon indicate colour	/R -71	1	911 E/S
(15)	901 551 042 22	carpet front perlon indicate colour	/RL/R-71 72-	1	911 E/S 911 S CARRERA 2.7	(16)	901 551 044 24	adhesive carpet perlon indicate colour	/R 72-	1	911 S CARRERA 2.7
15	901 551 042 26	carpet front perlon velour indicate colour	/RL/R-71 72-	1	911 T 911 T-V/T-K 911 T-E/E	(16)	901 551 044 24	adhesive carpet perlon velour indicate colour	/R -71	1	911 T
						(16)	901 551 044 24	adhesive carpet perlon velour indicate colour	/R 72-	1	911 T-V/T-K 911 T-E/E
						17	901 551 419 50	cover strip		2	

Model	Year	MG	SG	Illustration	Restrictions	Update	12:16	21.08.2006	PORSCHE	PET	PORSCHE
911	73	8	07	807-01		203					

Pos	Part Number	Name	Remarks	Qty	Model	Pos	Part Number	Name	Remarks	Qty	Model
18	900 145 041 00	rais. counters. h. tap. s. B 3,5 X 16		10		25	901 551 419 50	cover strip		2	
(19)	901 551 115 20	scuff plate	/L -71 72-	1	911 T 911 T-V/T-K 911 T-E/E	26	900 145 041 00	oval-head sheetmetal screw B3,5 X 16		10	
19	901 551 116 20	scuff plate	/R -71 72-	1	911 T 911 T-V/T-K 911 T-E/E	(27)	901 551 115 50	scuff plate	/L	1	
20	901 551 062 24	pedal floor board complete for cars without sportomatic	/RL/R70-	1		27	901 551 116 50	scuff plate	/R	1	
20	905 551 062 24	pedal floor board complete for cars with sportomatic	/RL/R70-	1	911 T/E	28	900 143 040 02	oval-head sheetmetal screw B2,9 X 9,5		20	
(20)	901 551 064 22	floorboard	/LL/R70-	1		29	999 591 550 40	expansion rivet		20	
(20)	901 551 064 42	floorboard	/LL/R70-	1	TARGA	-	911 551 004 01	carpet set comprising:	72-	1	CARRERA 2.7
(20)	901 551 064 42	floorboard	/LL/R71	1	911 T TARGA 911 E TARGA	-	911 551 043 00	carpet wheel housing panel	/L 72-	X	CARRERA 2.7
(20)	905 551 062 42	pedal floor board	/RL/R72-	1	TARGA	-	911 551 043 00	carpet wheel housing panel	/R 72-	X	CARRERA 2.7
(21)	901 551 063 21	pedal floor board	/LL/L	1	COUPE	-	911 551 043 00	carpet door sill	/L 72-	X	CARRERA 2.7
21	905 551 063 20	pedal floor board for cars with sportomatic	/LL/L	1	COUPE	-	911 551 043 00	carpet door sill	/R 72-	X	CARRERA 2.7
21	901 551 061 23	pedal floor board for cars with sportomatic	/RL	1	COUPE	-	911 551 043 00	carpet heel plate	72-	X	CARRERA 2.7
(21)	901 551 063 41	pedal floor board	/LL/L	1	TARGA	-	911 551 043 00	carpet seat well centre	72-	X	CARRERA 2.7
(21)	901 551 061 42	pedal floor board	/RL/L72-	1	TARGA	-	911 551 043 00	carpet seat well	72-	X	CARRERA 2.7
(21)	905 551 063 40	pedal floor board for cars with sportomatic	/LL/L	1	TARGA	-	911 551 015 00	rubber pad floor mat	/L 72-	X	CARRERA 2.7
(21)	901 551 062 42	pedal floor board	/RL/L72-	1		-	911 551 012 00	rubber pad floor mat	/R 72-	X	CARRERA 2.7
22	901 501 390 00	plate lower		2							
23	900 114 010 01	shake-proof washer A6,4		2							
24	900 076 010 02	hexagon nut M6		2							
								- - - E N D - - -			

Model	Year	MG	SG	Illustration	Restrictions	Update	12:16	21.08.2006	PORSCHE	PET	PORSCHE
911	73	8	07	807-05		203					



Pos	Part Number	Name	Remarks	Qty	Model
1	901 551 051 20	interior equipment rear carpet velour for heel plate indicate colour		1	
1	901 551 051 20	carpet perlon velour for heel plate indicate colour		1	
2	901 555 075 22	back wall lining indicate colour	-71	1	COUPE
2	911 555 075 00	back wall lining indicate colour	72	1	COUPE
2	911 555 075 02	back wall lining indicate colour	73-	1	COUPE
(2)	911 555 725 01	back wall lining perlon velour black	72-	1	CARRERA 2.7
(2)	911 645 007 06	back wall lining for stereo rear loudspeaker indicate colour	73-	1	COUPE
(2)	901 555 075 41	back wall lining with upper part indicate colour version with convertible top	-71	1	TARGA
(2)	911 555 075 41	back wall lining with upper part indicate colour	72-	1	TARGA
(2)	911 555 075 42	back wall lining with upper part indicate colour version with rear wall rear window fixed	-71	1	TARGA

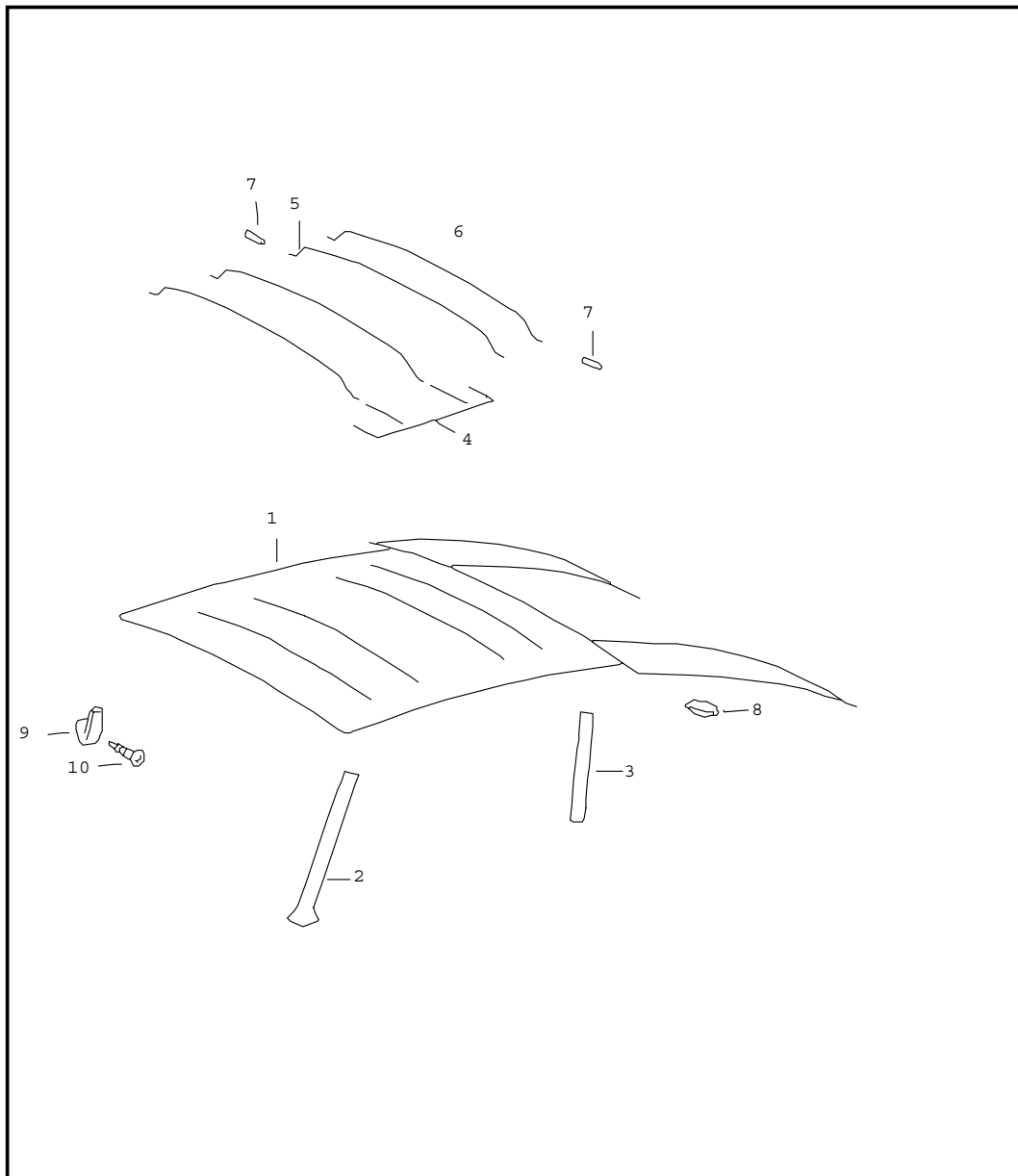
Model	Year	MG	SG	Illustration	Restrictions	Update	12:16	21.08.2006	PORSCHE	PET	PORSCHE
911	73	8	07	807-05		203					

Pos	Part Number	Name	Remarks	Qty	Model	Pos	Part Number	Name	Remarks	Qty	Model
(2)	911 555 075 42	back wall lining with upper part indicate colour		1		(11)	901 522 062 20	carpet perlon velour indicate colour	/R	1	
(2)	911 645 007 46	back wall lining with upper part for stereo rear loudspeaker indicate colour		1		12	901 551 054 21	carpet velour indicate colour	/H	1	
3	477 885 761	holder		4		12	901 551 054 25	carpet perlon velour	/H	1	
4	900 270 049 07	countersunk-head screw AM 5 X 20		8		(13)	901 555 071 20	side trim panel not available	/L/R	1	COUPE
(5)	901 555 751 20	seal for tray	-70	1		(13)	901 555 071 43	side trim panel with cover indicate colour	/L -71	1	TARGA
6	901 555 093 20	ornamental strip indicate colour	/H -70	1		13	901 555 072 43	side trim panel with cover indicate colour	/R -71	1	TARGA
7	N 015 429 2	speed nut	-70	4		(13)	911 555 071 40	side trim panel with cover indicate colour	/L 72-	1	TARGA
8	999 591 107 12	protection washer	-70	4		(13)	911 555 072 40	side trim panel with cover indicate colour	/R 72-	1	TARGA
9	900 145 044 00	rais. counters. h. tap. s. B 4,2 X 22	-70	4		(14)	901 555 023 01	filler piece	/L	X	TARGA
10	901 551 423 20	carpet velour indicate colour	-71	1		14	901 555 024 01	filler piece	/R	X	TARGA
10	901 551 423 20	carpet velour indicate colour	72-	1		15	999 591 104 12	protection washer		2	TARGA
10	901 551 423 20	carpet perlon velour indicate colour	-71	1		16	900 145 028 02	rais. counters. h. tap. s. B 3,9 X 13		2	TARGA
10	901 551 423 20	carpet perlon velour indicate colour	72-	1		(17)	901 555 091 51	ornamental strip	/L -71	1	COUPE
(11)	901 522 061 20	carpet velour indicate colour	/L	1		(17)	911 555 091 00	ornamental strip	/L 72-	1	COUPE
(11)	901 522 061 20	carpet perlon velour indicate colour	/L	1		(17)	901 555 092 51	ornamental strip	/R -71	1	COUPE
(11)	901 522 061 20	carpet perlon velour indicate colour	/L	1		(17)	911 555 092 00	ornamental strip	/R 72-	1	COUPE
(11)	901 522 062 23	carpet velour indicate colour	/R	1		17	901 555 091 40	ornamental strip version with convertible top rear wall 901.565.006.40	/L -71	1	TARGA

Model	Year	MG	SG	Illustration	Restrictions	Update	12:16	21.08.2006	PORSCHE	PET	PORSCHE
911	73	8	07	807-05		203					

Pos	Part Number	Name	Remarks	Qty	Model	Pos	Part Number	Name	Remarks	Qty	Model
17	911 555 091 40	ornamental strip	/L 72-	1	TARGA						
(17)	901 555 091 43	ornamental strip version with rear wall rear window fixed 901.565.551.45 901.565.551.50	/L -71	1	TARGA						
(17)	901 555 092 40	ornamental strip version with convertible top rear wall 901.565.006.40	/R -71	1	TARGA						
(17)	911 555 092 40	ornamental strip	/R 72-	1	TARGA						
(17)	901 555 092 43	ornamental strip version with rear wall rear window fixed 901.565.551.45	/R -71	1	TARGA						
18	999 591 338 02	speed nut		4							
19	999 591 102 12	washer		4							
20	900 145 036 00	rais. counters. h. tap. s. B 3,5 X 13		4							
		- - - E N D - - -									

Model	Year	MG	SG	Illustration	Restrictions	Update	12:16	21.08.2006	PORSCHE	PET	PORSCHE
911	73	8	07	807-06		203					

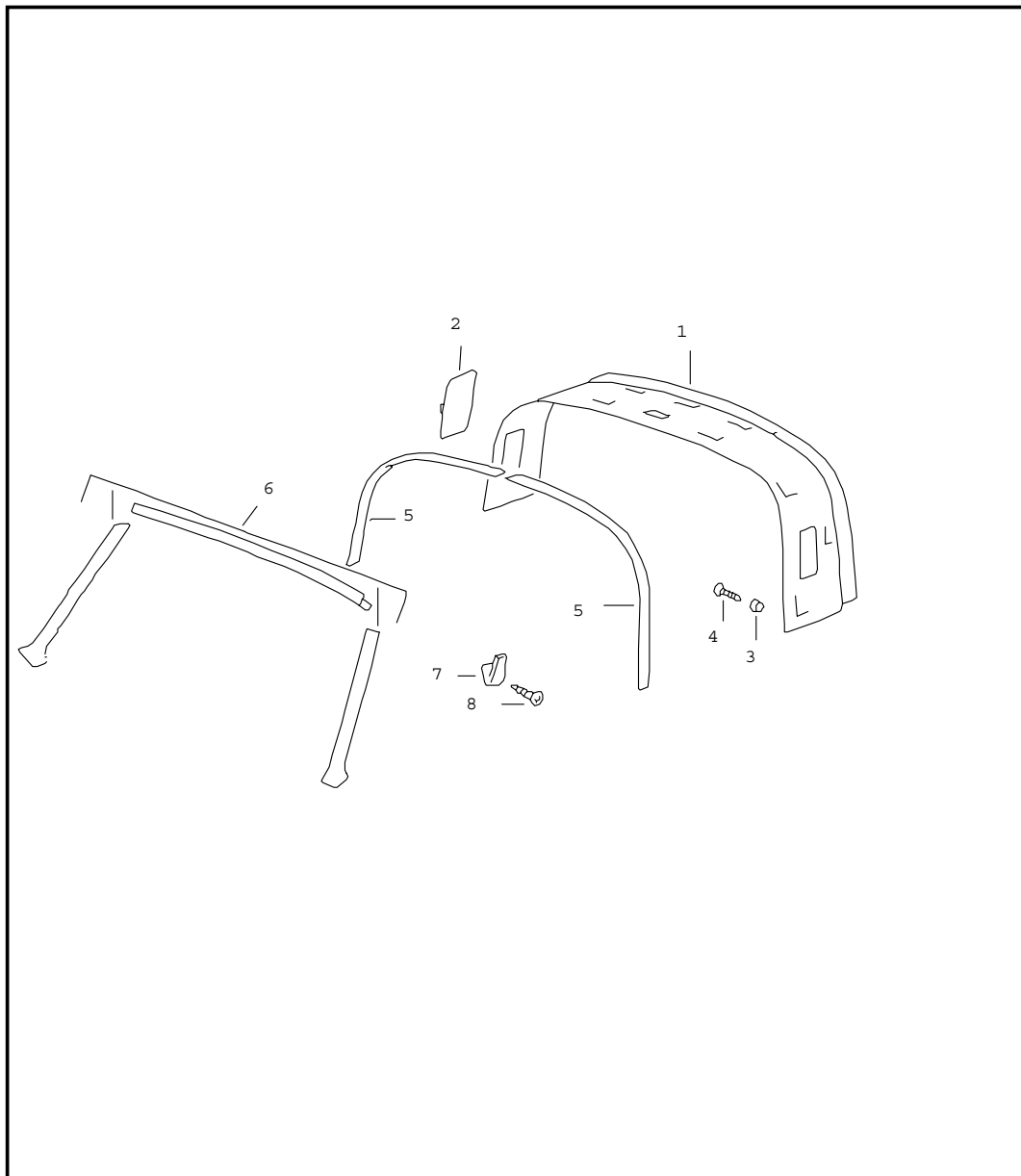


Pos	Part Number	Name	Remarks	Qty	Model
		interior equipment roof			COUPE
1	911 555 055 00	roof lining complete version without sunroof	-72	1	
1	911 555 055 01	roof lining complete version without sunroof	73-	1	
1	911 555 501 10	roof lining complete version without sunroof		1	CARRERA 2.7
(1)	911 555 055 10	roof lining complete version with sunroof	-72	1	
(1)	911 555 055 11	roof lining complete version with sunroof	73-	1	
2	901 555 507 20	lining for windscreen frame		2	
3	901 555 505 20	lining for door pillar		2	
4	901 555 511 20	transverse strut 1 + 2		2	
5	901 555 512 20	transverse strut 3		1	
6	901 555 513 20	transverse strut 4		1	
7	644 555 515 00	rubber profile		8	
8	999 591 336 01	clamp		12	
9	901 552 870 40	coat hook		2	
10	900 250 007 02	oval-head sheetmetal screw AM 5 X 12		2	

Model	Year	MG	SG	Illustration	Restrictions	Update	12:16	21.08.2006	PORSCHE	PET	PORSCHE
911	73	8	07	807-06		203					

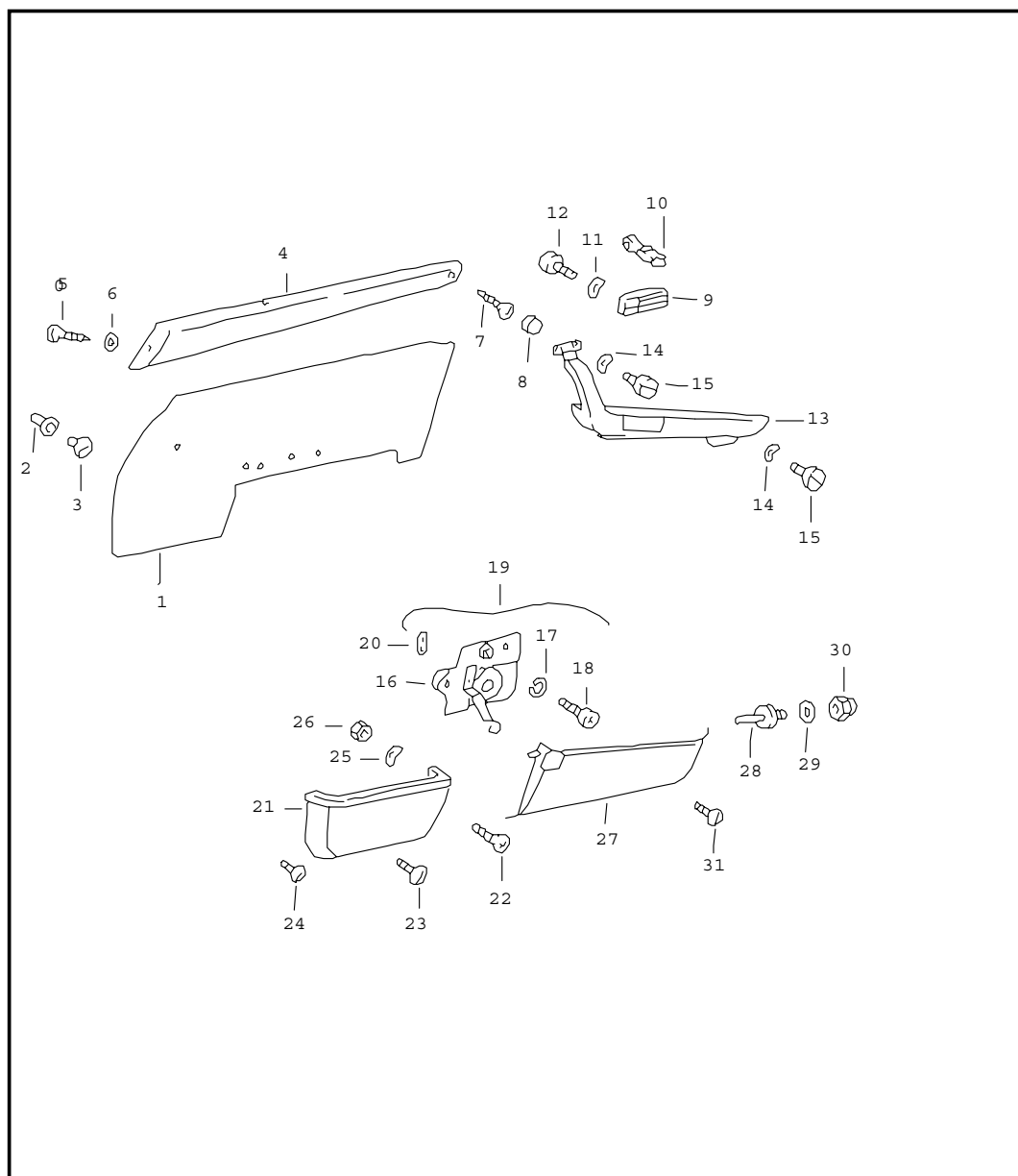
Pos	Part Number	Name	Remarks	Qty	Model	Pos	Part Number	Name	Remarks	Qty	Model
		- - - E N D - - -									

Model	Year	MG	SG	Illustration	Restrictions	Update	12:17	21.08.2006	PORSCHE	PET	PORSCHE
911	73	8	07	807-07		203					



Pos	Part Number	Name	Remarks	Qty	Model
		interior equipment roof			TARGA
1	901 565 017 46	interior lining		1	
2	911 565 157 40	bleeding	/L	1	
(2)	911 565 158 40	bleeding	/R	1	
3	999 591 010 12	washer		4	
4	900 145 032 02	rais. counters. h. tap. s. B 3,5 X 13		4	
5	901 565 513 42	padding		2	
(6)	901 555 901 40	lining complete for windscreen frame		1	
7	901 552 870 40	coat hook		2	
8	N 013 968 7	tapping screw B4,8 X 13		2	
- - - E N D - - -					

Model	Year	MG	SG	Illustration	Restrictions	Update	12:17	21.08.2006	PORSCHE	PET	PORSCHE
911	73	8	07	807-10		203					



Pos	Part Number	Name	Remarks	Qty	Model
		interior equipment doors			
(1)	901 555 031 02	door panel complete with leatherette cover indicate colour for cars without power windows electric	/LL/L-71	1	COUPE+TARGA
(1)	901 555 031 31	door panel complete with leatherette cover indicate colour for cars with power windows electric	/LL/L-70	1	COUPE
(1)	901 555 031 04	door panel complete with leatherette cover indicate colour for cars without power windows electric	/RL/L-71	1	COUPE
(1)	901 555 031 70	door panel complete with leather cover indicate colour	/LL/L-71	1	COUPE+TARGA
(1)	901 555 031 72	door panel complete with leather cover indicate colour	/RL/L-71	1	COUPE
1	901 555 032 02	door panel complete with leatherette cover indicate colour for cars without power windows electric	/LL/R-71	1	COUPE+TARGA

Model	Year	MG	SG	Illustration	Restrictions	Update	12:17	21.08.2006	PORSCHE	PET	PORSCHE
911	73	8	07	807-10		203					

Pos	Part Number	Name	Remarks	Qty	Model	Pos	Part Number	Name	Remarks	Qty	Model
1	901 555 032 31	door panel complete with leatherette cover indicate colour for cars with power windows electric	/LL/R-70	1	COUPE	(1)	911 555 027 02	door panel complete with leatherette cover indicate colour for cars with power windows electric	/LL/L73-	1	COUPE
1	901 555 032 04	door panel complete with leatherette cover indicate colour for cars without power windows electric	/RL/R-71	1	COUPE	1	901 555 028 00	door panel complete with leatherette cover indicate colour for cars with power windows electric	/LL/R71	1	COUPE
1	901 555 032 70	door panel complete with leather cover indicate colour	/LL/R-71	1	COUPE+TARGA	1	911 555 028 00	door panel complete with leatherette cover indicate colour for cars with power windows electric	/LL/R72	1	COUPE
1	901 555 032 72	door panel complete with leather cover indicate colour	/RL/R-71	1	COUPE	1	911 555 028 02	door panel complete with leatherette cover indicate colour for cars with power windows electric	/LL/R73-	1	COUPE
(1)	901 555 027 00	door panel complete with leatherette cover indicate colour for cars with power windows electric	/LL/L71	1	COUPE	(1)	901 555 027 10	door panel complete with leatherette cover indicate colour for cars with power windows electric	/RL/L71	1	COUPE
(1)	911 555 027 00	door panel complete with leatherette cover indicate colour for cars with power windows electric	/LL/L72	1	COUPE						

Model	Year	MG	SG	Illustration	Restrictions	Update	12:17	21.08.2006	PORSCHE	PET	PORSCHE
911	73	8	07	807-10		203					

Pos	Part Number	Name	Remarks	Qty	Model	Pos	Part Number	Name	Remarks	Qty	Model
(1)	911 555 027 10	door panel complete with leatherette cover indicate colour for cars with power windows electric	/RL/L72	1	COUPE	(1)	901 555 027 70	door panel complete with leather cover indicate colour for cars with power windows electric	/LL/L71	1	COUPE
(1)	911 555 027 11	door panel complete with leatherette cover indicate colour for cars with power windows electric	/RL/L73-	1	COUPE	(1)	911 555 027 70	door panel complete with leather cover indicate colour for cars with power windows electric	/LL/L72-	1	COUPE
1	901 555 028 10	door panel complete with leatherette cover indicate colour for cars with power windows electric	/RL/R71	1	COUPE	1	901 555 028 70	door panel complete with leather cover indicate colour for cars with power windows electric	/LL/R71	1	COUPE
1	911 555 028 10	door panel complete with leatherette cover indicate colour for cars with power windows electric	/RL/R72	1	COUPE	1	911 555 028 70	door panel complete with leather cover indicate colour for cars with power windows electric	/LL/R72-	1	COUPE
1	911 555 028 11	door panel complete with leatherette cover indicate colour for cars with power windows electric	/RL/R73-	1	COUPE	(1)	901 555 027 72	door panel complete with leather cover indicate colour for cars with power windows electric	/RL/L71	1	COUPE

Model	Year	MG	SG	Illustration	Restrictions	Update	12:17	21.08.2006	PORSCHE	PET	PORSCHE
911	73	8	07	807-10		203					

Pos	Part Number	Name	Remarks	Qty	Model	Pos	Part Number	Name	Remarks	Qty	Model
(1)	911 555 027 72	door panel complete with leather cover indicate colour for cars with power windows electric	/RL/L72-	1	COUPE	1	911 555 032 02	door panel complete with leatherette cover indicate colour for cars without power windows electric	/LL/R72	1	
1	901 555 028 72	door panel complete with leather cover indicate colour for cars with power windows electric	/RL/R71	1	COUPE	1	911 555 032 03	door panel complete with leatherette cover indicate colour for cars without power windows electric	/LL/R73-	1	
1	911 555 028 72	door panel complete with leather cover indicate colour for cars with power windows electric	/RL/R72-	1	COUPE	1	911 555 032 00	door panel complete with leatherette cover black	/R 72-	1	CARRERA 2.7
(1)	911 555 031 02	door panel complete with leatherette cover indicate colour for cars without power windows electric	/LL/L72	1		(1)	911 555 031 04	door panel complete with leatherette cover indicate colour for cars without power windows electric	/RL/L72	1	COUPE
(1)	911 555 031 03	door panel complete with leatherette cover indicate colour for cars without power windows electric	/LL/L73-	1		(1)	911 555 031 05	door panel complete with leatherette cover indicate colour for cars without power windows electric	/RL/L73-	1	COUPE
(1)	911 555 031 00	door panel complete with leatherette cover black	/L 72-	1	CARRERA 2.7	1	911 555 032 04	door panel complete with leatherette cover indicate colour for cars without power windows electric	/RL/R72	1	COUPE

Model	Year	MG	SG	Illustration	Restrictions	Update	12:17	21.08.2006	PORSCHE	PET	PORSCHE
911	73	8	07	807-10		203					

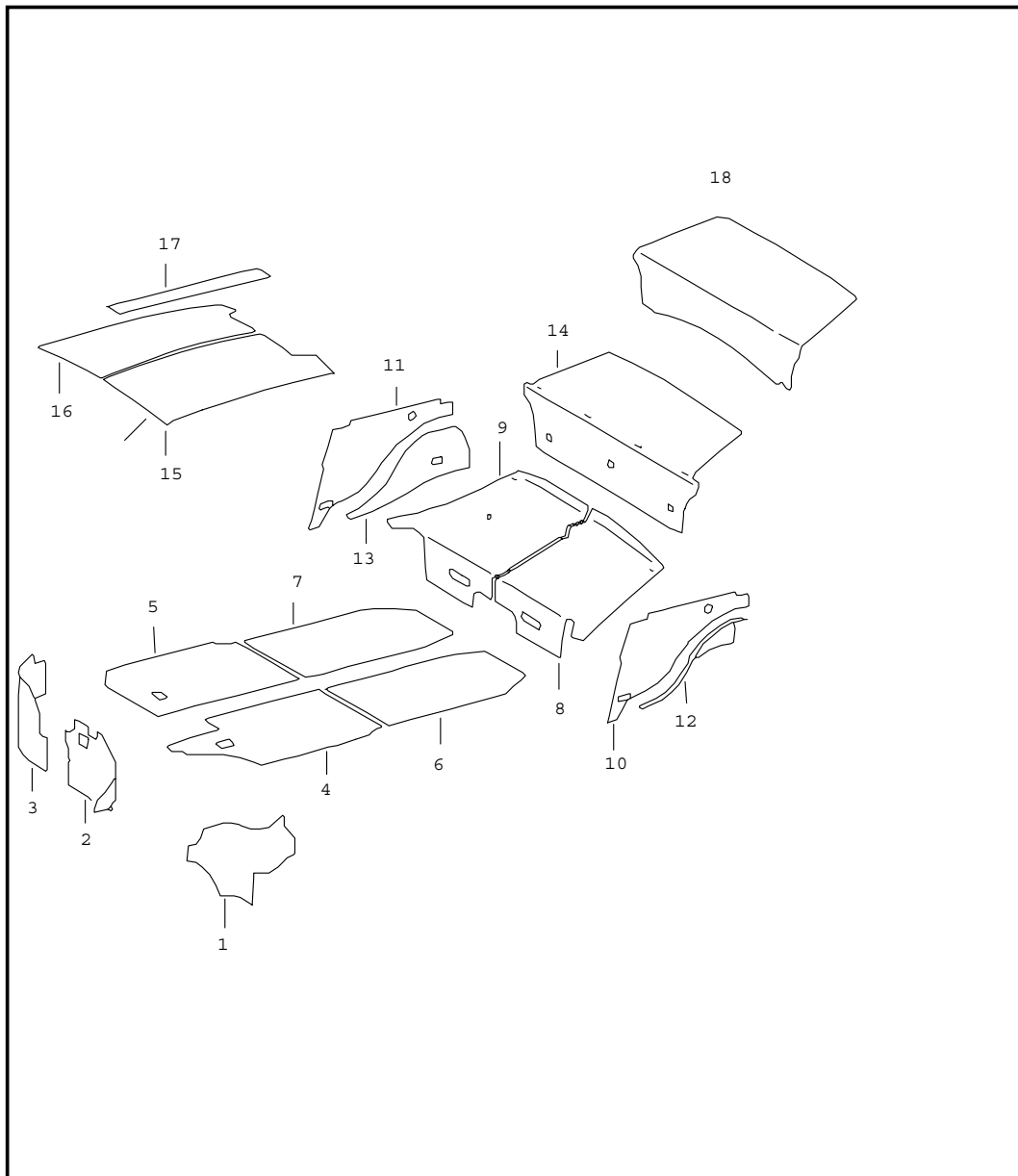
Pos	Part Number	Name	Remarks	Qty	Model	Pos	Part Number	Name	Remarks	Qty	Model
1	911 555 032 05	door panel complete with leatherette cover indicate colour for cars without power windows electric	/RL/R73-	1	COUPE	(4)	901 555 083 00	cover strip complete with cover	/LL/L	1	TARGA
(1)	911 555 031 70	door panel complete with leather cover indicate colour for cars without power windows electric	/LL/L72-	1	COUPE	4	901 555 084 00	cover strip complete with cover	/LL/RL/R	1	COUPE
1	911 555 032 70	door panel complete with leather cover indicate colour for cars without power windows electric	/LL/R72-	1		4	901 555 084 00	cover strip complete with cover	/LL/R	1	TARGA
						5	900 145 041 00	rais. counters. h. tap. s. B 3,5 X 16		2	
						6	999 591 102 12	washer		2	
						7	N 013 958 7	tapping screw B 3,5 X 13		2	
						8	999 703 077 40	cap		2	
						(9)	901 531 073 00	interior handle	/L	1	
						9	901 531 074 00	interior handle	/R	1	
(1)	911 555 031 72	door panel complete with leather cover indicate colour for cars without power windows electric	/RL/L72-	1	COUPE	10	901 531 066 00	joint		2	
						11	N 012 130 2	shake-proof washer A 5,3		4	
						12	N 010 225 4	hexagon-head bolt M 5.8		4	
1	911 555 032 72	door panel complete with leather cover indicate colour for cars without power windows electric	/RL/R72-	1	COUPE	(13)	901 555 041 25	armrest without handle	/LL/L	1	
						(13)	901 555 041 23	armrest with handle	/RL/L	1	COUPE
						13	901 555 042 23	armrest with handle	/LL/R	1	
2	999 591 311 40	bush		10		13	901 555 042 25	armrest without handle	/RL/R	1	COUPE
3	823 867 299	clip		10		-	911 531 317 00	loop	72-	X	CARRERA 2.7
(4)	901 555 083 00	cover strip complete with cover	/LL/RL/L	1	COUPE	-	900 190 021 03	tubular rivet A5 X 10 X 9		X	CARRERA 2.7

Model	Year	MG	SG	Illustration	Restrictions	Update	12:17	21.08.2006	PORSCHE	PET	PORSCHE
911	73	8	07	807-10		203					

Pos	Part Number	Name	Remarks	Qty	Model	Pos	Part Number	Name	Remarks	Qty	Model
-	901 531 067 00	handle	72-	X	CARRERA 2.7	26	900 076 010 02	hexagon nut M 6		2	
-	900 148 012 11	rais. counters. h. tap. s. AMS X 15	72-	X	CARRERA 2.7	(27)	901 555 037 21	flap control box	/L	1	
-	N 014 761 2	pan-head screw M6 X 12	72-	X	CARRERA 2.7	27	901 555 038 21	flap control box	/R	1	
-	900 151 006 09	washer B6,4	72-	X	CARRERA 2.7	-	911 555 319 00	protective edging	72-	X	CARRERA 2.7
-	999 591 010 12	washer \$ 3,5	72-	X	CARRERA 2.7	28	901 555 409 00	bolt		2	
-	900 145 032 02	rais. counters. h. tap. s. B3,5 X 13	72-	X	CARRERA 2.7	29	999 025 112 40	washer 8,4		2	
14	N 012 007 2	lock ring A 6		8		30	900 096 003 40	cap nut M 8		2	
15	N 014 761 2	pan-head screw M 6 X 12		6		31	900 147 011 02	countersunk-head screw M 4 X 10 chrome		8	
15	N 014 765 2	pan-head screw M 6 X 10		2							
(16)	901 555 087 00	support	/L	1							
16	901 555 088 00	support	/R	1							
17	N 012 007 2	lock ring A 6		2							
18	900 067 011 02	pan-head screw M 6 X 20		2							
19	999 911 158 50	rubber strap		X							
20	901 555 419 00	rubber holder		4							
(21)	901 555 015 00	bag	/L	1							
21	901 555 016 00	bag	/R	1							
22	N 013 954 2	oval-head sheetmetal screw B 2,9 X 13		4							
23	900 147 011 02	countersunk-head screw M 4 X 10 chrome		8							
24	900 189 009 02	half-round screw M 6 X 15		2							
25	900 028 008 01	spring washer B 6		2							

- - - E N D - - -

Model	Year	MG	SG	Illustration	Restrictions	Update	12:17	21.08.2006	PORSCHE	PET	PORSCHE
911	73	8	07	807-50		203					

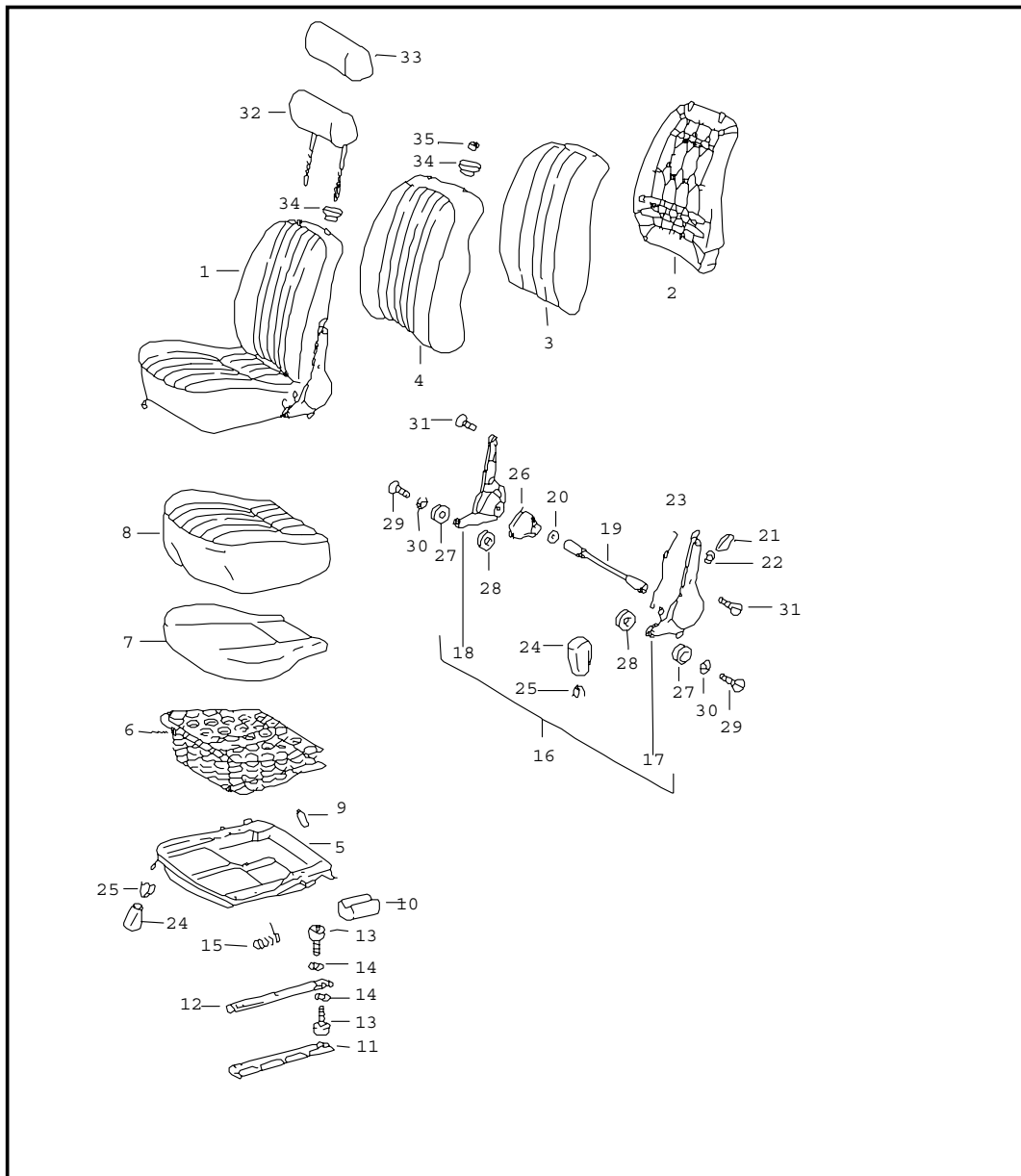


Pos	Part Number	Name	Remarks	Qty	Model
		body insulation			
1	911 556 902 00	damping mat	/V/L	1	COUPE
(1)	911 556 902 00	damping mat	/LL/V/L	1	TARGA
2	911 556 902 00	damping mat	/LL/R	1	COUPE
(2)	911 556 902 00	damping mat	/LL/R	1	TARGA
2-3	911 556 902 00	damping mat for cross panel and wheel-housing liner	/RL/R	1	COUPE
3	911 556 902 00	damping mat	/V/R	1	COUPE
(3)	911 556 902 00	damping mat	/LL/V/R	1	TARGA
4	911 556 902 00	damping mat not for sportomatic	/V/L	1	COUPE
(4)	911 556 902 00	damping mat	/RL/V/L	1	COUPE
(4)	911 556 902 00	damping mat	/LL/V/L	1	TARGA
5	911 556 902 00	damping mat	/LL/V/R	1	
(5)	911 556 902 00	damping mat	/RL/V/R	1	
(5)	911 556 902 00	damping mat	/LL/V/R	1	TARGA
6	911 556 902 00	damping mat	/H/L	1	
7	911 556 902 00	damping mat	/H/R	1	
8	911 556 231 00	damping mat	/L -71	1	COUPE
(8)	911 556 231 40	damping mat	/LL/L-71	1	TARGA
(8)	911 556 231 01	damping mat	/L 72-	1	
9	911 556 232 00	damping mat	/R -71	1	COUPE
(9)	911 556 232 40	damping mat	/LL/R-71	1	TARGA
(9)	911 556 232 01	damping mat	/R 72-	1	
10-13	999 913 006 00	damping mat		*	
SB0	999 913 006 00	sound absorber upper left	-71	1	COUPE
(10)	911 556 235 40	damping mat upper left	/LL -71	1	TARGA

Model	Year	MG	SG	Illustration	Restrictions	Update	12:17	21.08.2006	PORSCHE	PET	PORSCHE
911	73	8	07	807-50		203					

Pos	Part Number	Name	Remarks	Qty	Model	Pos	Part Number	Name	Remarks	Qty	Model
(10)	999 913 006 00	sound absorber upper left	72-	1	COUPE	16	911 556 023 01	damping mat roof	/R	1	COUPE
(10)	999 913 006 00	sound absorber upper left	72-	1	TARGA	17	911 556 248 00	damping strip		4	COUPE
11	999 913 006 00	sound absorber upper right	-71	1	COUPE	18	902 556 891 21	damping mat	/V -71	1	COUPE
(11)	999 913 006 00	sound absorber upper right	/LL -71	1	TARGA	(18)	902 556 891 41	damping mat	/LL/V-71	1	TARGA
(11)	999 913 006 00	sound absorber upper right	72-	1	COUPE	(18)	911 556 891 01	damping mat	/V 72-	1	
(11)	999 913 006 00	sound absorber upper right	72-	1	TARGA			- - - E N D - - -			
12	999 913 006 00	sound absorber lower	/L -71	1	COUPE						
(12)	999 913 006 00	sound absorber lower	/LL/L-71	1	TARGA						
(12)	999 913 006 00	sound absorber lower	/L 72-	1	COUPE						
(12)	999 913 006 00	sound absorber lower	/L 72-	1	TARGA						
13	999 913 006 00	sound absorber lower	/R -71	1	COUPE						
(13)	999 913 006 00	sound absorber lower	/LL/R-71	1	TARGA						
(13)	999 913 006 00	sound absorber lower	/R 72-	1	COUPE						
(13)	999 913 006 00	sound absorber lower	/R 72-	1	TARGA						
14	911 556 239 00	damping mat	-71	1	COUPE						
(14)	911 556 239 40	damping mat	/LL -71	1	TARGA						
(14)	911 556 239 01	damping mat	-72	1	COUPE						
(14)	911 556 239 02	damping mat	73-	1	COUPE						
(14)	911 556 239 41	damping mat	-72	1	TARGA						
(14)	911 556 239 06	damping mat	73-	1	TARGA						
15	911 556 023 01	damping mat roof	/L	1	COUPE						

Model	Year	MG	SG	Illustration	Restrictions	Update	12:17	21.08.2006	PORSCHE	PET	PORSCHE
911	73	8	08	808-00		203					



Pos	Part Number	Name	Remarks	Qty	Model
		front seat			
(1)	911 521 003 00	front seat complete with locking device leatherette indicate colour	/L -71	1	
(1)	911 521 003 50	front seat complete with locking device leather indicate colour	/L -71	1	M
1	911 521 002 00	front seat complete with locking device leatherette indicate colour	/LL/R-71	1	
(1)	911 521 002 50	front seat complete with locking device leather indicate colour	/LL/R-71	1	M
(1)	911 521 003 02	front seat complete with locking device leatherette indicate colour	/L 72	1	
(1)	911 521 003 15	front seat complete with locking device leatherette indicate colour	/L 73-	1	
(1)	911 521 075 00	front seat complete with locking device leather indicate colour	/L 72	1	
(1)	911 521 075 15	front seat complete with locking device leather indicate colour	/L 73-	1	
(1)	911 521 002 02	front seat complete with locking device leatherette indicate colour	/R 72	1	

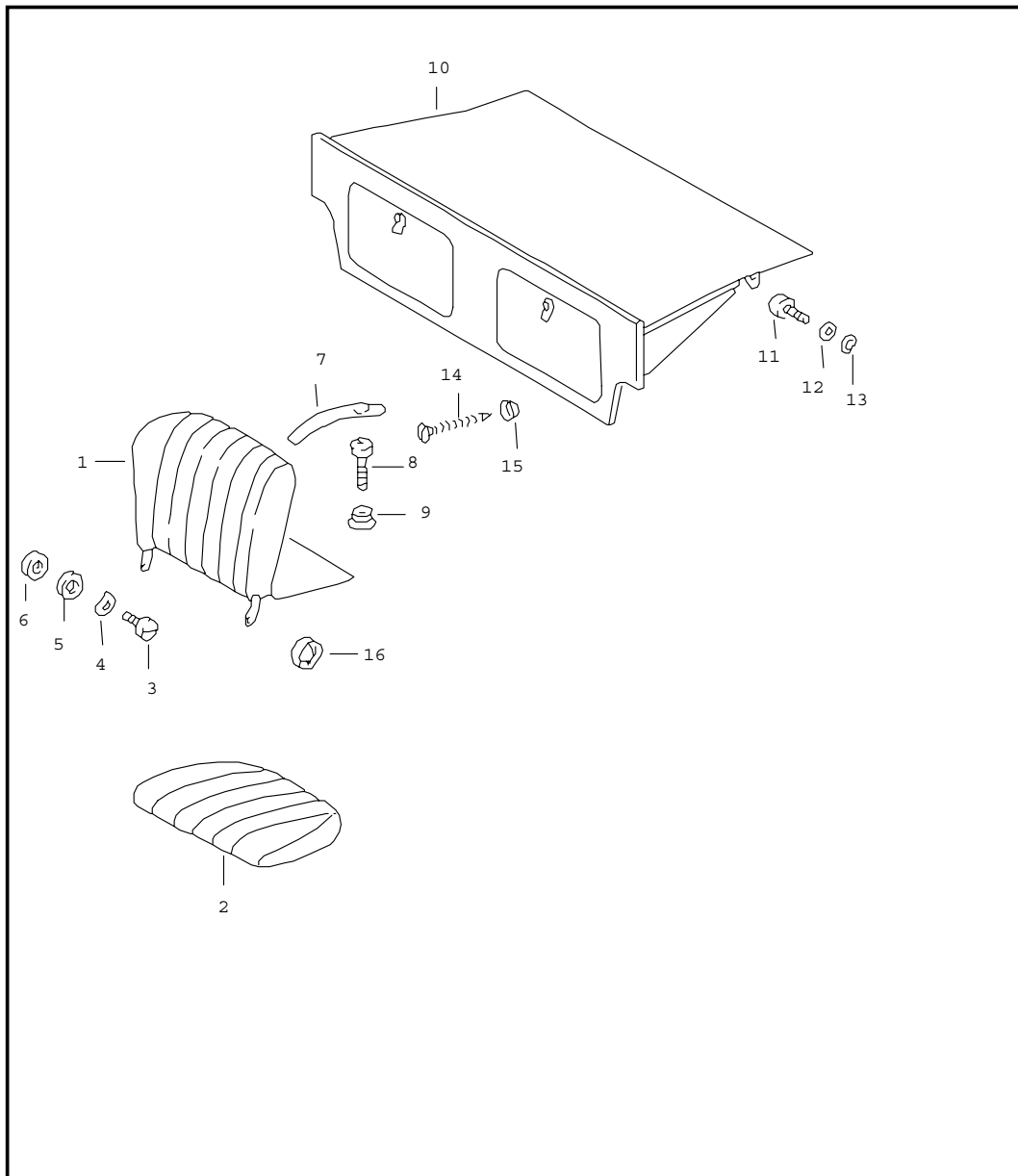
Model	Year	MG	SG	Illustration	Restrictions	Update	12:17	21.08.2006	PORSCHE	PET	PORSCHE
911	73	8	08	808-00		203					

Pos	Part Number	Name	Remarks	Qty	Model	Pos	Part Number	Name	Remarks	Qty	Model
(1)	911 521 002 15	front seat complete with locking device leatherette indicate colour	/R 73-	1		6	901 521 041 22	inner spring complete	-72	2	
(1)	911 521 076 00	front seat complete with locking device leather indicate colour	/R 72	1		6	911 521 165 00	inner spring complete	73-	2	
(1)	911 521 076 15	front seat complete with locking device leather indicate colour	/R 73-	1		7	901 521 501 22	padding	-72	2	
2	911 521 027 00	backrest frame complete		2		7	911 521 167 00	padding	73-	2	
3	901 521 505 22	padding for backrest	-72	2		8	901 521 047 23	seat cover leatherette indicate colour	-72	2	
(3)	911 521 135 00	padding for backrest	73-	2		8	911 521 037 02	seat cover leatherette indicate colour	73-	2	
4	901 521 049 23	backrest cover leatherette indicate colour	-72	2		8	901 521 047 72	seat cover leather indicate colour	-72	2	
4	911 521 143 00	backrest cover leatherette indicate colour	73-	2		8	911 521 037 70	seat cover leather indicate colour	73-	2	
(4)	901 521 049 71	backrest cover leather indicate colour	-72	2		9	901 521 043 00	angle	/L	2	
(4)	911 521 143 70	backrest cover leather indicate colour	73-	2		(9)	901 521 044 00	angle	/R	2	
(5)	901 521 009 25	seat frame complete	/L -72	1		10	901 521 191 00	rubber support	/L	2	
(5)	911 521 069 00	seat frame complete	73-	1		(10)	901 521 192 00	rubber support	/R	2	
5	901 521 010 25	seat frame complete	/R -72	1		11	901 521 016 00	seat rail support	-72	2	
5	911 521 070 00	seat frame complete	73-	1		11	911 521 051 01	seat rail support	73-	2	
						12	911 521 030 00	guide rail complete		4	
						13	900 119 042 02	pan-head screw M 6X15		28	
						14	N 012 026 3	lock ring 6		28	
						-	900 151 006 09	washer		12	
						15	901 521 333 00	spring	/L -72	1	
						15	911 521 161 00	spring	/L 73-	1	
						(15)	901 521 334 00	spring	/R -72	1	
						(15)	911 521 161 00	spring	/R 73-	1	

Model	Year	MG	SG	Illustration	Restrictions	Update	12:17	21.08.2006	PORSCHE	PET	PORSCHE
911	73	8	08	808-00		203					

Pos	Part Number	Name	Remarks	Qty	Model	Pos	Part Number	Name	Remarks	Qty	Model
16	911 521 035 00	reclining seat fitting complete with locking device	/L	1		(26)	901 521 915 01	inner part	/L	2	
(16)	911 521 036 00	reclining seat fitting complete with locking device	/R	1		26	901 521 916 01	inner part	/R	2	
17	911 521 041 00	mounting component with locking device left seat	/L -71	1		27	644 521 741 00	washer		2	
17	911 521 041 02	mounting component with locking device left seat	/L 72-	1		28	644 521 783 05	spacer		2	
(17)	911 521 043 00	mounting component without locking device right seat	/L -71	1		29	900 148 024 02	countersunk-head screw AM 6 X 15		2	
(17)	911 521 043 02	mounting component without locking device right seat	/L 72-	1		30	900 114 008 01	shake-proof washer V 6,4		4	
18	911 521 044 00	mounting component without locking device left seat	/R -71	1		31	900 148 015 02	countersunk-head screw AM6 X 20		12	
18	911 521 044 02	mounting component without locking device left seat	/R 72-	1		32	911 521 086 00	head rest leatherette indicate colour		2	
(18)	911 521 042 00	mounting component with locking device right seat	/R -71	1		32	901 521 086 05	head rest leather indicate colour	M	2	
(18)	911 521 042 02	mounting component with locking device right seat	/R 72-	1		33	901 521 801 00	cover ribbed velvet		2	
19	911 521 045 02	connecting rod		2		34	901 521 193 00	rose standard indicate colour	-72	4	
20	900 031 011 40	washer 6,4		2		34	911 521 145 00	rose standard indicate colour	73-	4	
21	911 521 201 00	cam	/L	1		(34)	901 521 811 00	rose \$ 36 MM repair seat indicate colour		4	
(21)	911 521 202 00	cam	/R	1		-	901 521 812 00	washer for 901.521.811.00		4	
22	999 041 511 01	seeger retaining ring H 17-1		2		35	901 521 195 00	cap indicate colour	-72	4	
23	911 521 210 00	cable 305 MM		2		35	911 521 147 00	cap indicate colour	73-	4	
24	911 521 163 00	handle		4				- - - E N D - - -			
25	999 591 540 01	clamp		4							

Model	Year	MG	SG	Illustration	Restrictions	Update	12:18	21.08.2006	PORSCHE	PET	PORSCHE
911	73	8	08	808-05		203					



Pos	Part Number	Name	Remarks	Qty	Model
		back seat			
(1)	901 522 005 22	back seat backrest complete with velour carpet indicate colour	/L -71	1	
1	902 522 005 22	back seat backrest complete with cover and perlon velour carpet complete	/L -71	1	
1	901 522 005 42	back seat backrest complete with cover and velour carpet indicate colour	/L -71	1	
1	902 522 005 42	back seat backrest complete with cover and perlon velour carpet indicate colour	/L -71	1	
1	911 522 005 00	back seat backrest complete with cover and velour carpet indicate colour	/L 71	1	911 S/COUPE
1	901 522 006 22	back seat backrest complete with cover and velour carpet indicate colour	/R -71	1	

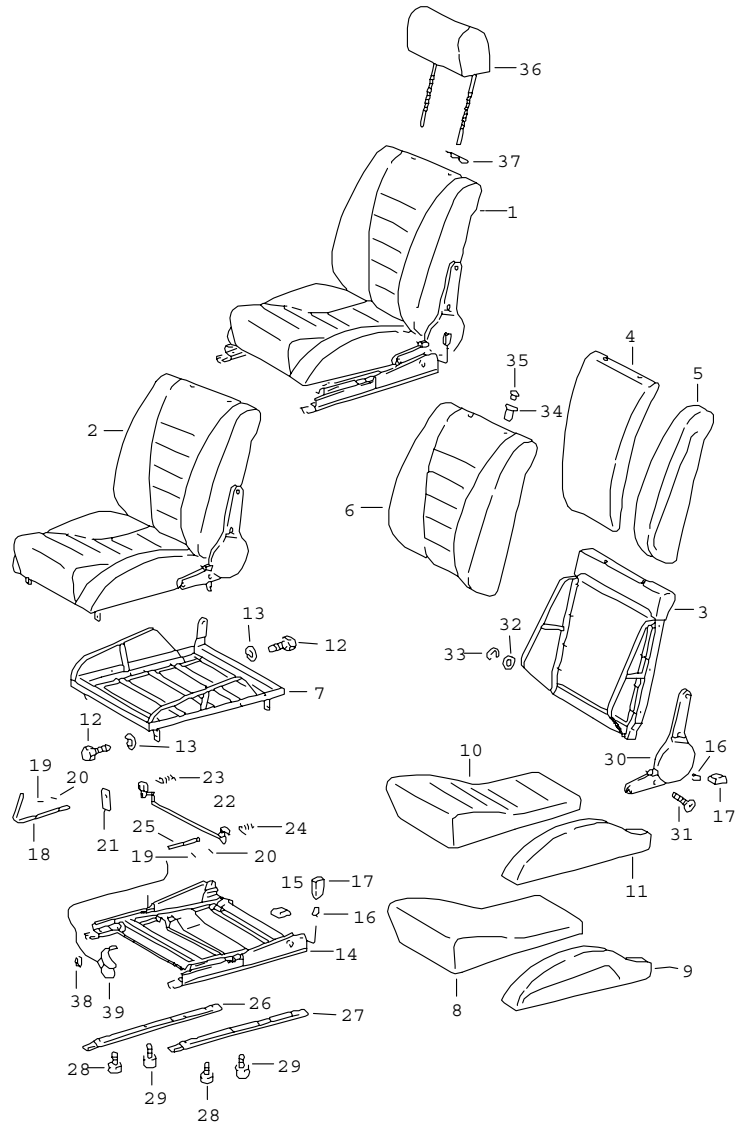
Model	Year	MG	SG	Illustration	Restrictions	Update	12:18	21.08.2006	PORSCHE	PET	PORSCHE
911	73	8	08	808-05		203					

Pos	Part Number	Name	Remarks	Qty	Model	Pos	Part Number	Name	Remarks	Qty	Model
1	902 522 006 22	back seat backrest complete with cover and perlon velour carpet indicate colour	/R -71	1		1	911 522 005 02	back seat backrest back seat backrest complete with cover and velour indicate colour	/L 72	1	
1	901 522 006 42	back seat backrest complete with cover and velour carpet indicate colour	/R -71	1		1	911 522 005 05	back seat backrest back seat backrest complete with cover and velour indicate colour	/L 73-	1	
1	902 522 006 42	back seat backrest complete with cover and perlon velour carpet indicate colour	/R -71	1		1	911 522 008 00	back seat backrest back seat backrest complete with cover perlon velour velour indicate colour	/R 72	1	
1	911 522 006 00	back seat backrest complete with cover and velour indicate colour	/R 71	1		1	911 522 008 02	back seat backrest back seat backrest complete with cover perlon velour velour indicate colour	/R 73-	1	
1	911 522 007 00	back seat backrest back seat backrest complete with cover perlon velour velour indicate colour	/L 72	1		1	911 522 006 02	back seat backrest back seat backrest complete with cover and velour indicate colour	/R 72	1	
1	911 522 007 02	back seat backrest back seat backrest complete with cover perlon velour velour indicate colour	/L 73-	1		1	911 522 006 05	back seat backrest back seat backrest complete with cover and velour indicate colour	/R 73-	1	
						2	911 522 051 00	back seat cushion complete indicate colour	/L 72	1	

Model	Year	MG	SG	Illustration	Restrictions	Update	12:18	21.08.2006	PORSCHE	PET	PORSCHE
911	73	8	08	808-05		203					

Pos	Part Number	Name	Remarks	Qty	Model	Pos	Part Number	Name	Remarks	Qty	Model
2	911 522 051 01	back seat cushion complete indicate colour	/L 73-	1							
(2)	911 522 052 00	back seat cushion complete indicate colour	/R 72	1							
(2)	911 522 052 01	back seat cushion complete indicate colour	/R 73-	1							
-	901 521 011 60	seat support	72-	4	CARRERA 2.7						
		- - - E N D - - -									

Model	Year	MG	SG	Illustration	Restrictions	Update	12:18	21.08.2006	PORSCHE	PET	PORSCHE
911	73	8	08	808-10		203					



Pos	Part Number	Name	Remarks	Qty	Model
1	911 521 007 00	sports seat complete with bracket cover and indicate colour	/L 71	1	
(1)	911 521 008 00	sports seat complete with bracket cover and indicate colour	/R 71	1	
-	911 521 903 01	bucket seat	:M 72-	X	CARRERA 2.7
(1)	911 521 007 15	sports seat complete with bracket leatherette cover and indicate colour	/L 72-	1	
(1)	911 521 081 15	sports seat complete with bracket leather cover and indicate colour	/L 73-	1	
(1)	911 521 008 15	sports seat complete with bracket leatherette cover and indicate colour	/R 72-	1	
(1)	911 521 082 15	sports seat complete with bracket leather cover and indicate colour	/R 73-	1	

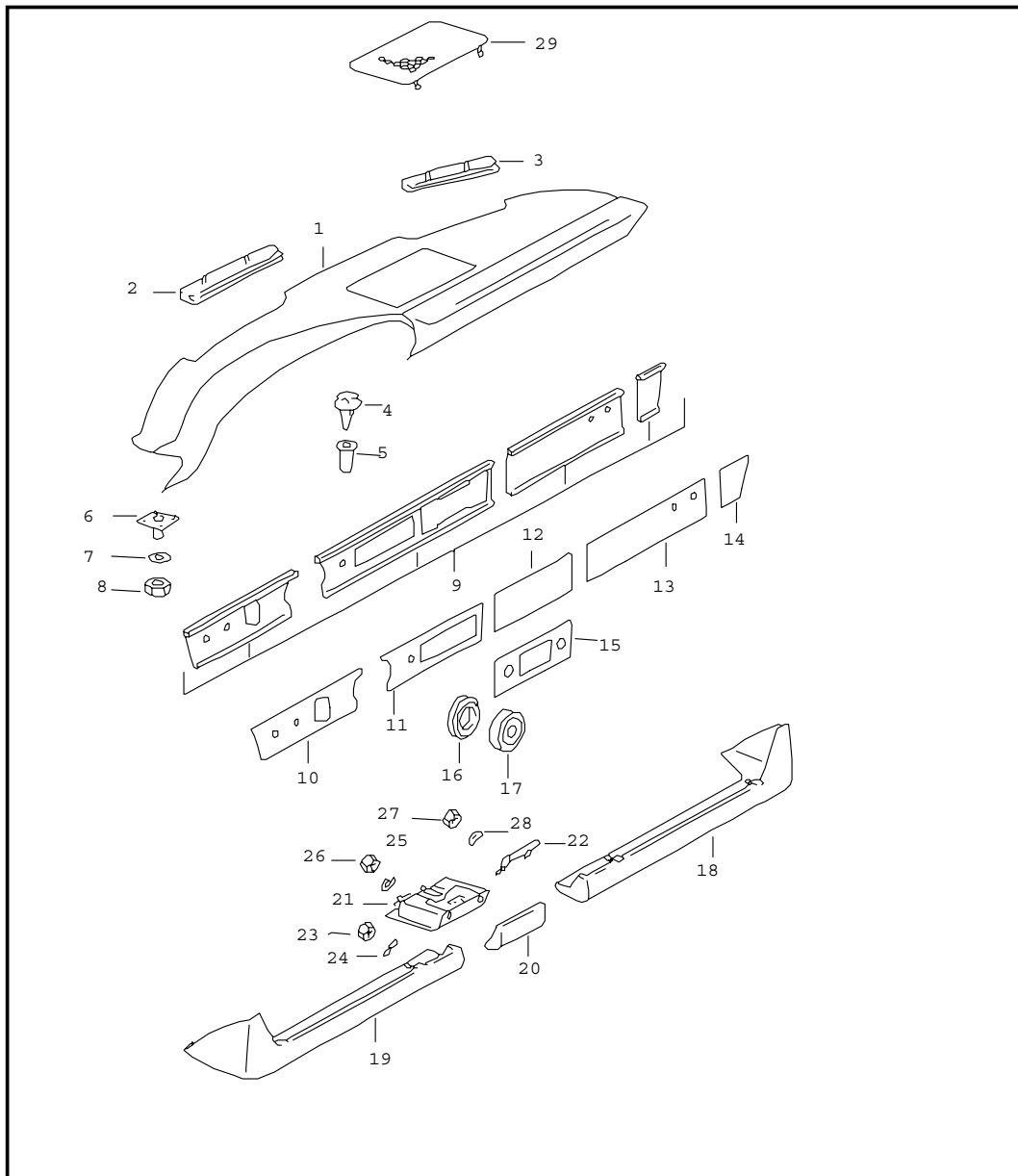
Model	Year	MG	SG	Illustration	Restrictions	Update	12:18	21.08.2006	PORSCHE	PET	PORSCHE
911	73	8	08	808-10		203					

Pos	Part Number	Name	Remarks	Qty	Model	Pos	Part Number	Name	Remarks	Qty	Model
(2)	911 521 021 00	sports seat complete without bracket cover and indicate colour	/L -71	1		(11)	911 521 074 00	seat side part cover	/R	1	
						12	900 075 078 02	hexagon-head bolt M8 X 15		X	
						13	900 027 005 02	lock ring A8		X	
2	911 521 021 01	sports seat complete without bracket cover and indicate colour	/L 72-	1		(14)	911 521 067 00	bracket with rail	/L -72	1	
						(14)	911 521 067 00	bracket with rail	/R -72	1	
(2)	911 521 022 00	sports seat complete without bracket cover and indicate colour	/R -71	1		14	911 521 481 00	bracket with rail	/L 73-	1	
						(14)	911 521 482 00	bracket with rail	/R 73-	1	
(2)	911 521 022 01	sports seat complete without bracket cover and indicate colour	/R 72-	1		15	911 521 071 00	rubber support for bracket		4	
						16	999 591 540 01	clamp		2	
3	911 521 207 00	backrest frame	/L	1		17	911 521 163 00	knob		2	
(3)	911 521 208 00	backrest frame	/R	1		18	911 521 157 01	lever	/L -72	1	
4	911 521 104 00	backrest cushion		1		(18)	911 521 162 00	lever	/R -72	1	
5	911 521 191 00	backrest side part	/L	1		(18)	911 521 157 03	lever	/L/R 73-	2	
(5)	911 521 192 00	backrest side part	/R	1		19	900 095 004 01	tensioning sleeve 2,5 X 20		X	
6	911 521 072 00	backrest cover		1		20	900 095 004 01	tensioning sleeve 2,5 X 12		X	
7	911 521 203 00	seat frame	/L	1		21	911 521 158 00	locking segment	-72	2	
(7)	911 521 204 00	seat frame	/R	1		22	911 521 483 00	locking segment linkage	/L 73-	1	
8	911 521 102 00	seat cushion		1		(22)	911 521 484 00	locking segment linkage	/R 73-	1	
9	911 521 189 00	cushion	/L	1		23	911 521 152 00	spring	/L/R -72	4	
9	911 521 190 00	cushion	/R	1		23	911 521 152 00	spring	/R 73-	2	
10	911 521 197 00	cover for cushion		1		24	911 521 152 00	spring	/L 73-	2	
11	911 521 073 00	seat side part cover	/L	1							

Model	Year	MG	SG	Illustration	Restrictions	Update	12:18	21.08.2006	PORSCHE	PET	PORSCHE
911	73	8	08	808-10		203					

Pos	Part Number	Name	Remarks	Qty	Model	Pos	Part Number	Name	Remarks	Qty	Model
25	911 521 327 00	axle	73-	1		37	911 521 123 00	spring		X	
26	911 521 195 00	seat rail inner for seat left		1				- - - E N D - - -			
(26)	911 521 196 00	seat rail inner for seat right		1							
27	911 521 323 00	seat rail outer for seat left	-72	1							
(27)	911 521 194 00	seat rail outer for seat right	-72	1							
(27)	911 521 323 00	seat rail outer for seat left inner for seat right	73-	2							
28	900 119 042 02	pan-head screw M6 X 15		24							
29	911 521 160 00	screw		4							
30	911 521 035 01	reclining seat fitting		1							
(30)	911 521 036 01	reclining seat fitting		1							
31	911 521 126 00	countersunk-head screw		8							
32	911 521 130 00	washer		2							
33	900 116 006 02	lock washer 9		2							
34	911 521 205 00	rose		4							
35	911 521 147 00	cap		4							
36	911 521 086 00	head rest leatherette indicate colour		X							
(36)	901 521 086 05	head rest leather indicate colour		X							

Model	Year	MG	SG	Illustration	Restrictions	Update	12:18	21.08.2006	PORSCHE	PET	PORSCHE
911	73	8	09	809-00		203					

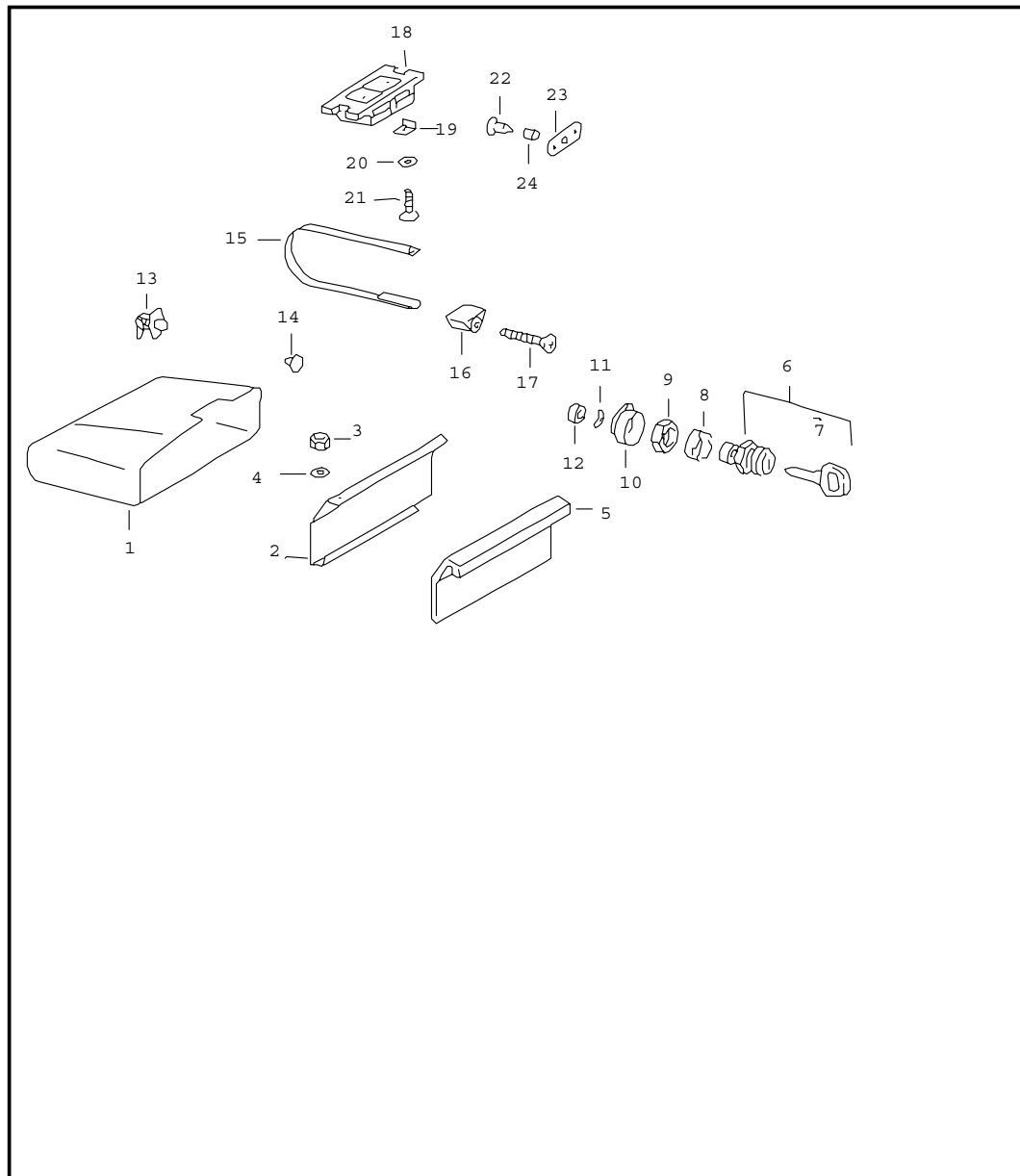


Pos	Part Number	Name	Remarks	Qty	Model
		dashboard trim with ashtray and trim			
1	911 552 031 00	dashboard trim	/LL	1	
	709	black			
(1)	911 552 032 00	dashboard trim	/RL	1	
-	911 552 205 00	cover for clock		1	CARRERA 2.7
-	911 641 901 00	rubber ring		1	CARRERA 2.7
2	911 552 409 00	cover for heating nozzle	/L	1	
3	911 552 410 00	cover for heating nozzle	/R	1	
4	999 591 310 40	fixing clip		7	
5	999 591 311 40	bush		7	
6	999 591 344 02	latch		2	
7	N 011 524 7	washer 6,4		7	
8	900 910 011 02	lock nut M 6		7	
9	911 552 013 00	support frame	/LL	1	
(9)	901 552 014 00	cover	/RL	1	
10	901 552 477 57	cover	/LL/L-71	1	
10	911 552 477 01	cover	/LL/L72-	1	
10	901 552 478 57	cover	/RL/R-71	1	
10	911 552 478 01	cover	/RL/R72-	1	
11	901 552 479 54	cover	/LL/L-71	1	
11	911 552 479 01	cover	/LL/L72-	1	
11	901 552 480 54	cover	/RL/R-71	1	
11	911 552 480 01	cover	/RL/R72-	1	
12	901 552 079 00	cover	-71	1	

Model	Year	MG	SG	Illustration	Restrictions	Update	12:18	21.08.2006	PORSCHE	PET	PORSCHE
911	73	8	09	809-00		203					

Pos	Part Number	Name	Remarks	Qty	Model	Pos	Part Number	Name	Remarks	Qty	Model
12	911 552 079 00	cover	72-	1		26	900 076 004 02	hexagon nut M 5		2	
	708	black									
13	901 552 488 52	cover	-71	1		27	900 070 001 02	cap nut M 4		2	
13	911 552 488 00	cover	72-	1		28	900 028 018 01	spring washer B 4		2	
(13)	911 552 215 00	cover glove box cover	72-	1		29	911 552 048 00	cover		1	
14	901 552 593 52	cover	/RL/L-71	1				- - - E N D - - -			
14	911 552 593 01	cover	/RL/L72-	1							
(14)	901 552 594 52	cover	/LL/R-71	1							
(14)	911 552 594 01	cover	/LL/R72-	1							
(14)	911 552 213 00	cover glove box cover	/LL/R72-	1							
15	901 552 079 01	cover	/LL -71	1							
15	911 552 079 01	cover	/LL 72-	1							
	708	black									
(15)	901 552 080 01	cover	/RL -71	1							
(15)	911 552 080 01	cover	/RL 72-	1							
	708	black									
16	911 347 615 00	intermediate ring		1							
17	911 347 617 00	trim		1							
18	901 552 036 27	knee protection strip	/R	1							
19	901 552 035 27	knee protection strip	/L	1							
20	901 552 050 25	ashtray handle		1							
21	901 552 061 25	ashtray		1							
22	901 552 607 00	fireproof plate		1							
23	900 076 027 02	hexagon nut M 5		4							
24	900 151 027 02	washer 5,3		4							
25	900 027 003 01	lock ring A 5		2							

Model	Year	MG	SG	Illustration	Restrictions	Update	12:18	21.08.2006	PORSCHE	PET	PORSCHE
911	73	8	09	809-05		203					

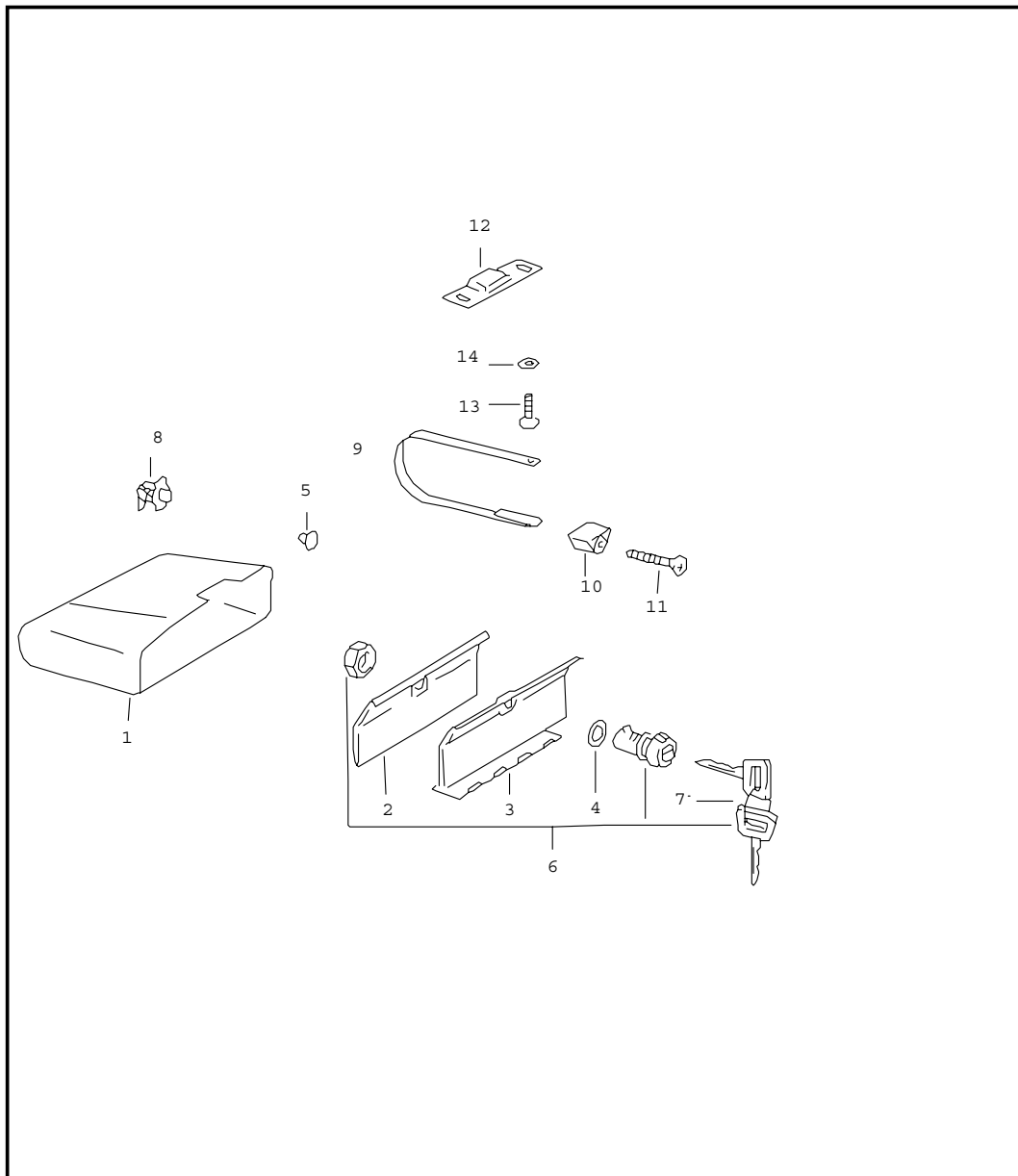


Pos	Part Number	Name	Remarks	Qty	Model
		glove compartment	-70		
1	964 552 501 00	glove compartment		1	
2	901 552 010 00	glove box cover		1	
3	999 090 002 02	lock nut		2	
4	900 025 003 02	washer 5,3		2	
5	911 552 057 00	handle		1	
6	911 552 902 01	glove compartment lock with 2 main key		1	
6	911 552 902 02	glove compartment lock with 2 main key state lock number		1	
7	914 531 637 10	main key state lock number		1	
7	914 531 903 10	blank key		1	
8	914 552 526 10	spacer sleeve		1	
9	914 552 557 10	hexagon nut		1	
10	911 552 552 00	latch		1	
11	914 552 559 10	spring washer		1	
12	914 552 558 10	slotted nut		1	
13	-	contact switch see group 9/03/00			
14	999 702 064 50	push button		2	
15	901 552 531 20	restraining strap		1	
16	914 552 061 00	clamp		1	
17	900 146 010 02	oval-head screw AM 5 X 30		1	
18	901 552 571 20	lock		1	
19	901 552 575 20	angle		2	
20	N 012 225 2	spring washer B 5		2	

Model	Year	MG	SG	Illustration	Restrictions	Update	12:18	21.08.2006	PORSCHE	PET	PORSCHE
911	73	8	09	809-05		203					

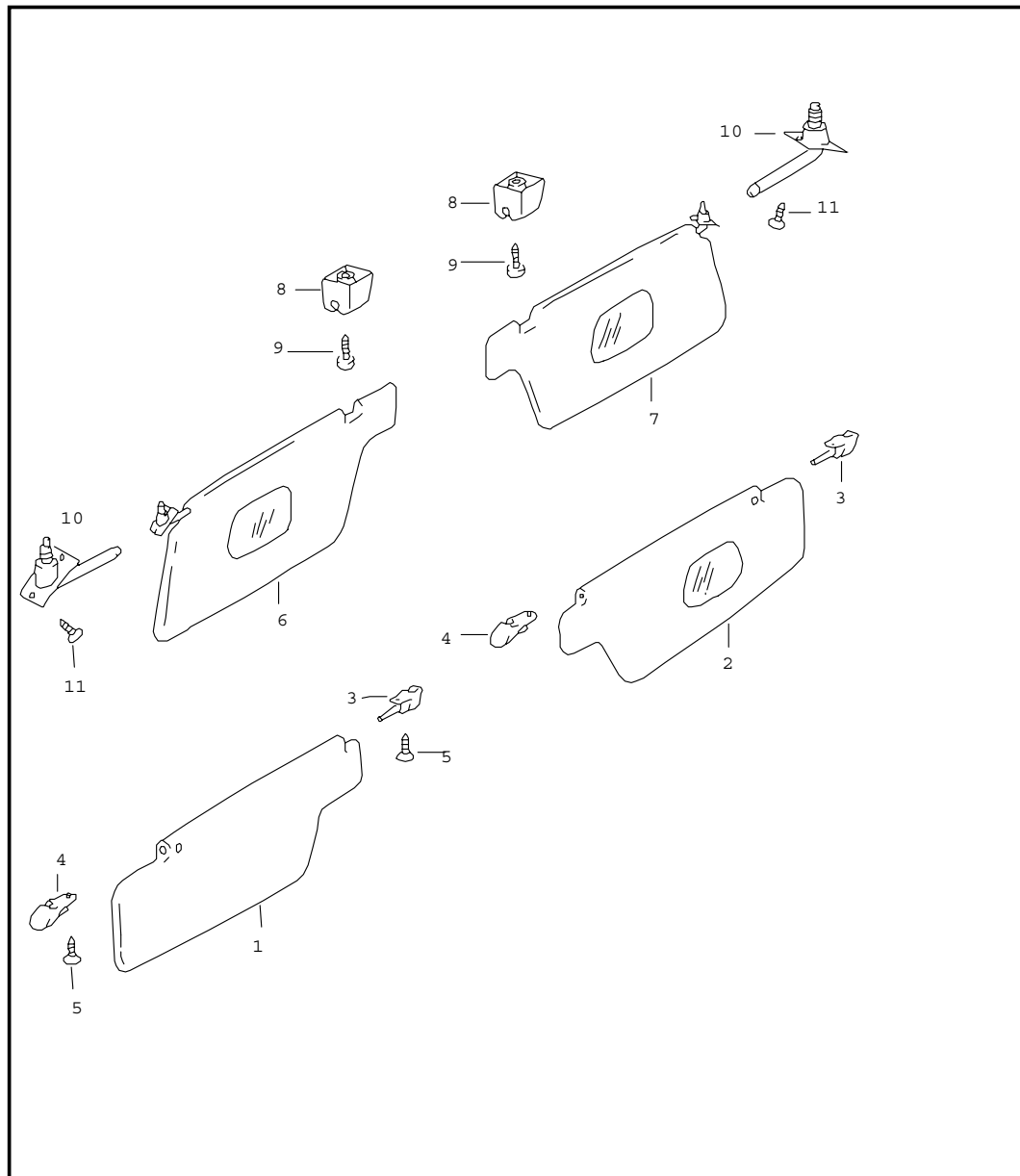
Pos	Part Number	Name	Remarks	Qty	Model	Pos	Part Number	Name	Remarks	Qty	Model
21	900 119 001 02	pan-head screw M 5 X 12		2							
22	901 552 595 00	countersunk-head screw		1							
23	901 552 573 20	plate		1							
24	901 552 535 00	spacer		1							
		- - - E N D - - -									

Model	Year	MG	SG	Illustration	Restrictions	Update	12:18	21.08.2006	PORSCHE	PET	PORSCHE
911	73	8	09	809-10		203					



Pos	Part Number	Name	Remarks	Qty	Model
		glove compartment	71-		
1	901 552 501 22	glove compartment		1	
2	911 552 057 01	handle		1	
3	911 552 010 01	glove box cover		1	
4	911 552 103 01	washer PVC		1	
5	999 703 064 50	buffer		2	
-	311 611 849	plug		X	
6	911 552 902 01	glove compartment lock with 2 main key		1	
6	911 552 902 02	glove compartment lock with 2 main key state lock number		1	
7	914 531 637 10	main key state lock number		1	
7	914 531 903 10	blank key		1	
8	-	contact switch see group 9/03/00			
9	901 552 531 20	restraining strap		1	
10	914 552 061 00	clamp		1	
11	900 146 010 02	oval-head screw AM 5 X 30		1	
12	911 552 513 00	door lock striker		1	
13	900 146 005 01	oval-head screw AM5 X 8		2	
14	N 012 225 2	spring washer B 5		2	
		- - - E N D - - -			

Model	Year	MG	SG	Illustration	Restrictions	Update	12:19	21.08.2006	PORSCHE	PET	PORSCHE
911	73	8	09	809-15		203					



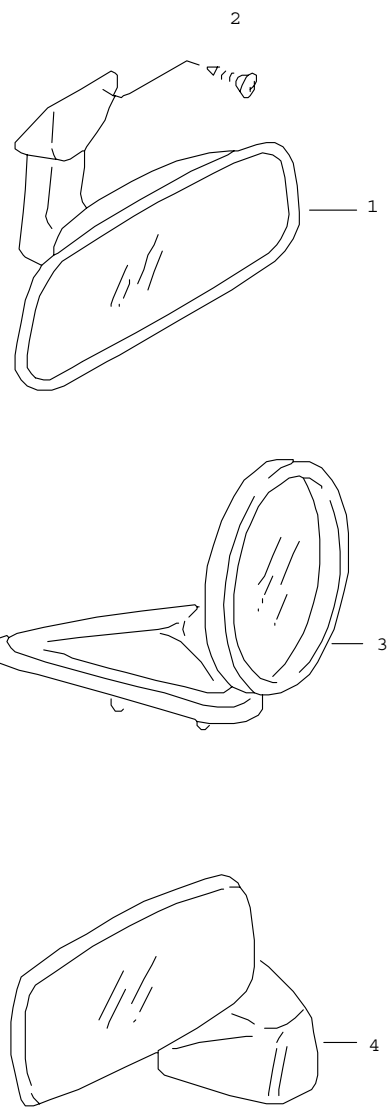
Pos	Part Number	Name	Remarks	Qty	Model
		sun visors			
1	911 731 031 42	sun visor without mirror	/LL/L	1	TARGA
1	911 731 031 45	sun visor without mirror	/LL/L	1	TARGA
1	911 731 031 47	sun visor without mirror	/L	1	TARGA (AUS)
(2)	911 731 032 41	sun visor without mirror	/LL/R-72	1	TARGA
(2)	911 731 032 46	sun visor without mirror	/R 73-	1	TARGA
(2)	911 731 032 47	sun visor without mirror	/R	1	(AUS)
2	911 731 032 42	sun visor with mirror	/LL/R-72	1	
2	911 731 032 45	sun visor with mirror	/LL/R73-	1	
3	911 731 324 40	bearing	/R	2	
4	911 731 323 40	bearing	/L	2	
5	N 014 093 3	tapping screw B 4,2 X 13		X	
6	911 731 031 03	sun visor with mirror	/RL/L-72	1	COUPE
6	911 731 031 07	sun visor with mirror	/RL/L73-	1	COUPE
(6)	911 731 031 02	sun visor without mirror	/LL/L-72	1	COUPE
(6)	911 731 031 06	sun visor without mirror	/LL/L73-	1	COUPE
(6)	911 731 031 08	sun visor	/L	1	CARRERA 2.7
7	911 731 032 02	sun visor with mirror	/R -72	1	
7	911 731 032 06	sun visor with mirror	/LL/R73-	1	COUPE
(7)	911 731 032 03	sun visor without mirror	/LL/R-72	1	COUPE
(7)	911 731 032 07	sun visor without mirror	/R 73-	1	COUPE

Model	Year	MG	SG	Illustration	Restrictions	Update	12:19	21.08.2006	PORSCHE	PET	PORSCHE
911	73	8	09	809-15		203					

Pos	Part Number	Name	Remarks	Qty	Model	Pos	Part Number	Name	Remarks	Qty	Model
8	911 731 331 00	support		2	COUPE						
9	900 143 005 02	oval-head sheetmetal screw B 3,9 X 13		2	COUPE						
10	911 731 320 00	bearing		2	COUPE						
11	N 014 093 3	tapping screw B 4,2 X 13		4	COUPE 911						
		- - - E N D - - -									

Model	Year	MG	SG	Illustration	Restrictions	Update	12:19	21.08.2006	PORSCHE	PET	PORSCHE
911	73	8	09	809-20		203					

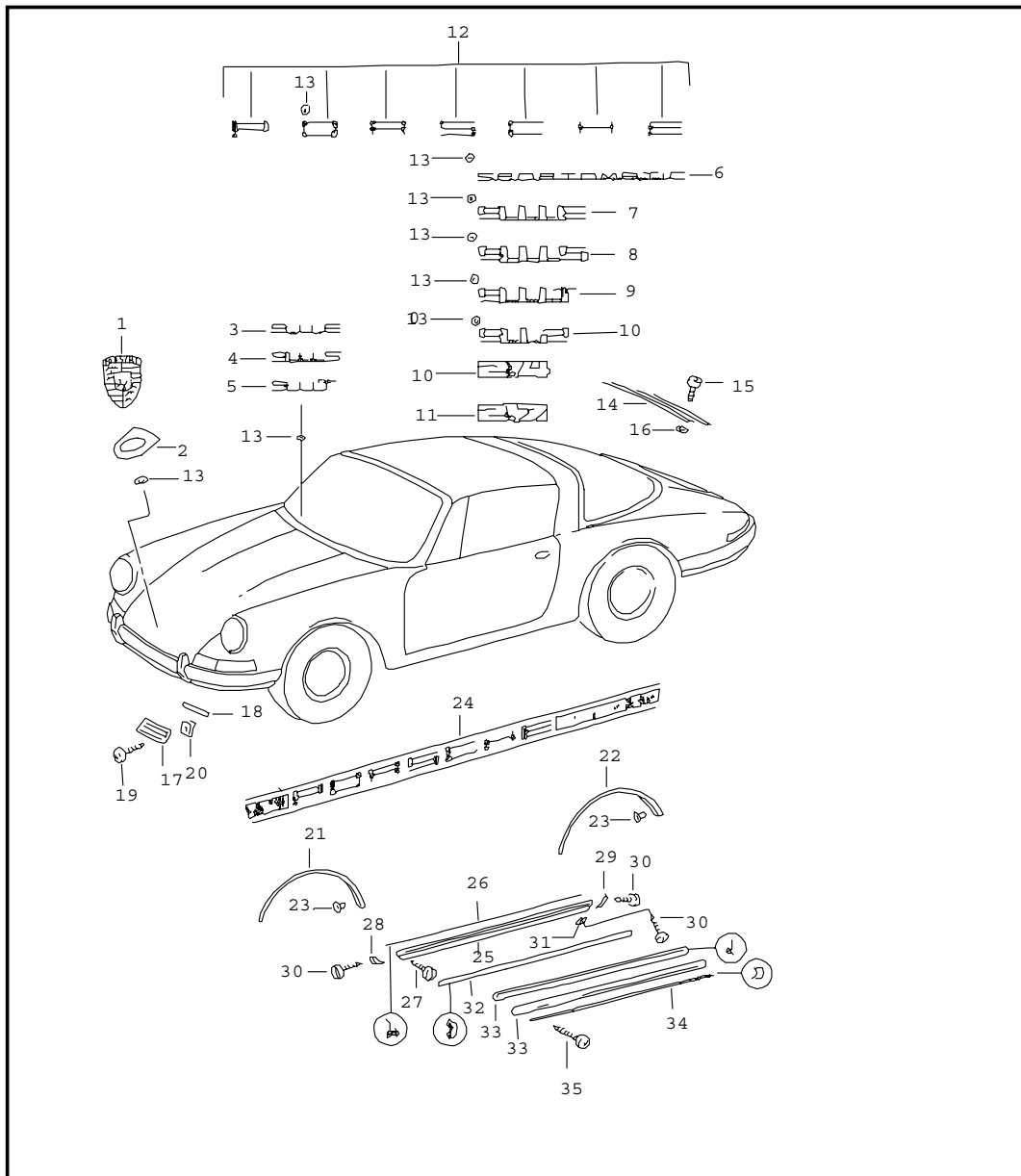
Pos	Part Number	Name	Remarks	Qty	Model
		interior mirror and door mirror			
1	914 731 014 11	interior mirror	-70	1	
1	914 731 014 11	interior mirror	71-	1	
-	901 731 133 20	adhesive plate for interior mirror		1	
-	901 731 113 00	plate for interior mirror		1	
-	900 014 098 10	pan-head screw M 2,6 X 15 for interior mirror		1	
-	999 915 173 00	terostat ribbon 33 black		X	
2	900 148 012 02	rais. counters. h. tap. s. AM 5 X 15		3	
(2)	N 013 988 1	tapping screw B 3,5 X 16		3	WW
3	901 731 111 01	door mirror plan		1	
3	911 731 116 00	door mirror convex		1	
-	901 731 129 00	desk pad for door mirror 901.731.111.01		1	
-	911 731 129 00	desk pad for door mirror 911.731.116.00		1	
-	911 731 129 01	desk pad for door mirror 911.731.116.00		1	
-	911 731 130 01	desk pad for door mirror 911.731.116.00		1	



Model	Year	MG	SG	Illustration	Restrictions	Update	12:19	21.08.2006	PORSCHE	PET	PORSCHE
911	73	8	09	809-20		203					

Pos	Part Number	Name	Remarks	Qty	Model	Pos	Part Number	Name	Remarks	Qty	Model
4	911 731 013 01	door mirror with mount		1							
-	911 731 129 00	desk pad		1							
		- - - E N D - - -									

Model	Year	MG	SG	Illustration	Restrictions	Update	12:19	21.08.2006	PORSCHE	PET	PORSCHE
911	73	8	10	810-00		203					



Pos	Part Number	Name	Remarks	Qty	Model
		decorative fittings			
1	901 559 210 20	lid emblem		1	
(1)	901 559 210 20	lid emblem		1	CARRERA 2.7
2	901 559 215 20	desk pad		1	
3	901 559 306 20	logo	-70	1	
4	901 559 304 50	logo	-70	1	
5	901 559 315 20	logo	-70	1	
6	901 559 309 00	logo gold-coloured	-70	1	
(6)	901 559 309 01	logo chrome	-70	1	
7	901 559 325 50	logo	-71	1	
7	901 559 325 21	logo	72-	1	
8	901 559 308 50	logo	-71	1	
8	901 559 308 21	logo	72-	1	
9	901 559 311 50	logo gold-coloured	-71	1	
(9)	901 559 311 20	logo chrome	-71	1	
(9)	901 559 311 21	logo black	72-	1	
-	911 559 317 00	logo "CARRERA RS"	72-	1	CARRERA 2.7
10	911 559 015 00	logo for ventilation grille	72	1	
11	911 559 015 01	logo for ventilation grille	73-	1	CARRERA 2.7
12	901 559 301 22	logo gold-coloured	-71	1	
12	901 559 902 00	porsche lettering chrome	-71	1	
12	911 559 901 00	porsche lettering black	72-	1	

Model	Year	MG	SG	Illustration	Restrictions	Update	12:19	21.08.2006	PORSCHE	PET	PORSCHE
911	73	8	10	810-00		203					

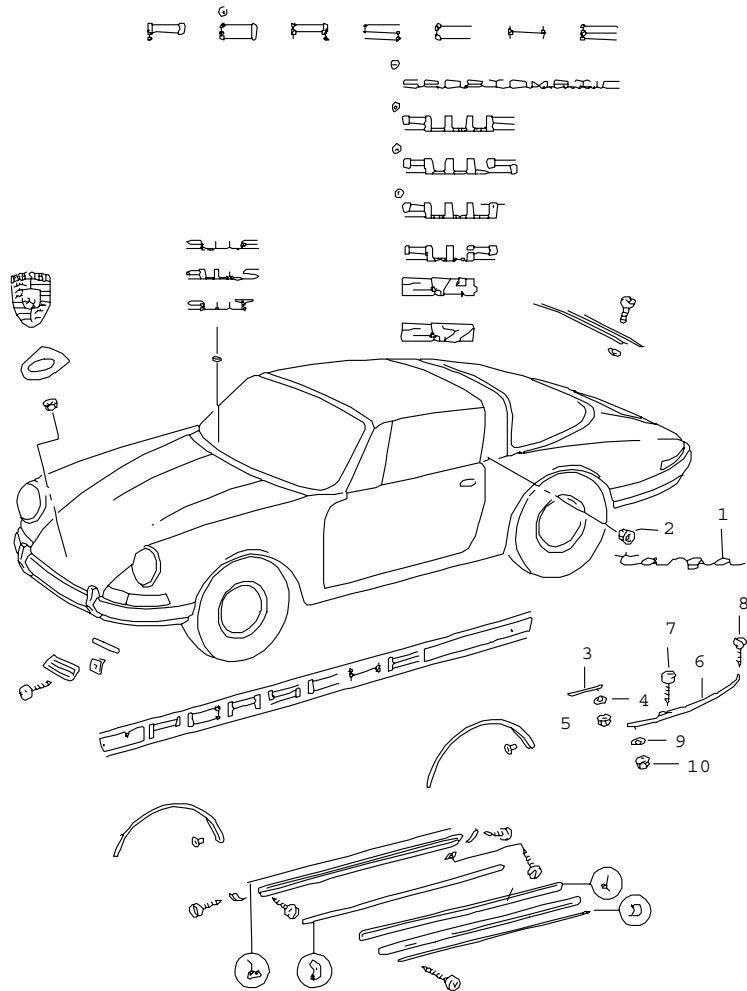
Pos	Part Number	Name	Remarks	Qty	Model	Pos	Part Number	Name	Remarks	Qty	Model
-	911 559 035 00	logo blue	72-	1		(17)	901 559 431 28	grille left		1	
-	911 559 035 01	logo guards red	72-	1				for cars with additional headlamp and fog headlamp round			
-	911 559 035 02	logo green	72-	1		(17)	901 559 432 27	grille	/R 70	1	
-	911 559 035 03	logo black	72-	1		(17)	901 559 432 27	grille	/R -72	1	
-	911 559 036 00	logo "CARRERA RS" blue	72-	1		(17)	911 559 432 03	grille	/R 73-	1	
-	911 559 036 01	logo "CARRERA RS" guards red	72-	1		(17)	901 559 432 28	grille right for cars with additional headlamp and fog headlamp round		1	
-	911 559 036 02	logo "CARRERA RS" green	72-	1							
-	911 559 036 03	logo "CARRERA RS" black	72-	1		18	911 559 439 00	rubber ply	-71	2	
						18	911 559 439 00	rubber ply	72-	2	
						19	900 143 041 00	oval-head sheetmetal screw B 3,9 X 19		4	
13	999 591 423 03	tapping nut		16							
14	911 559 041 00	ventilation grille	-71	1		20	999 591 338 02	speed nut		4	
14	911 559 041 02	ventilation grille	72-	1		21	901 559 125 51	moulding front left	M	X	
15	900 119 036 02	pan-head screw M 5 X 12		6							
-	900 151 027 02	washer A 5,3	72-	6		(21)	901 559 126 51	moulding front right	M	X	
-	911 559 151 00	base for ventilation grille	72-	4		22	901 559 127 51	moulding rear left	M	X	
16	999 031 084 50	rubber washer		6		(22)	901 559 128 51	moulding rear right	M	X	
-	900 076 027 02	hexagon nut M5	72-	X	CARRERA 2.7						
-	N 012 225 2	spring washer B5	72-	X	CARRERA 2.7	23	999 190 101 30	rivet	M	X	
						-	999 911 160 40	adhesive tape 4 M		*	
17	901 559 431 27	grille	/L 70	1							
17	901 559 431 27	grille it is necessary to rework	/L -72	1		24	901 559 317 61	logo left white	M	X	
17	911 559 431 03	grille	/L 73-	1							

Model	Year	MG	SG	Illustration	Restrictions	Update	12:19	21.08.2006	PORSCHE	PET	PORSCHE
911	73	8	10	810-00		203					

Pos	Part Number	Name	Remarks	Qty	Model	Pos	Part Number	Name	Remarks	Qty	Model
(24)	901 559 319 61	logo left black	M	X		29	901 559 113 50	end piece	/L/H 72-	1	CARRERA 2.7
(24)	901 559 318 61	logo right white	M	X		(29)	901 559 114 50	end piece	/R/H	1	
(24)	901 559 320 61	logo right black	M	X		(29)	901 559 114 50	end piece	/R/H 72-	1	CARRERA 2.7
-	911 559 034 00	logo "CARRERA" blue for door sill	72-	X	CARRERA 2.7	30	900 145 043 00	rais. counters. h. tap. s. B 3,9 X 13		18	
-	911 559 034 01	logo "CARRERA" guards red for door sill	72-	X	CARRERA 2.7	-	999 911 141 50	desk pad		*	
-	911 559 034 02	logo "CARRERA" green for door sill	72-	X	CARRERA 2.7	31	-	2 M		X	
-	911 559 034 03	logo "CARRERA" black	72-	X		32	901 559 106 53	rubber ply		2	
-	911 559 034 04	logo "CARRERA" gold-coloured mat	72-	X		33	901 559 011 22	moulding		2	
25	901 559 105 53	moulding		2		34	901 559 101 22	filler piece		2	
(25)	911 559 105 00	moulding	/L 72-	1	CARRERA 2.7	35	N 013 961 2	tapping screw		10	
(25)	911 559 106 00	moulding	/R 72-	1	CARRERA 2.7			- - - E N D - - -			
-	999 911 198 40	rubber		*							
26	-	3 M		3							
27	N 013 961 2	tapping screw B 3,9 X 13		14							
28	901 559 111 50	end piece	/L/V	1							
(28)	901 559 112 50	end piece	/R/V	1							
29	901 559 113 50	end piece	/L/H	1							

Model	Year	MG	SG	Illustration	Restrictions	Update	12:19	21.08.2006	PORSCHE	PET	PORSCHE
911	73	8	10	810-05		203					

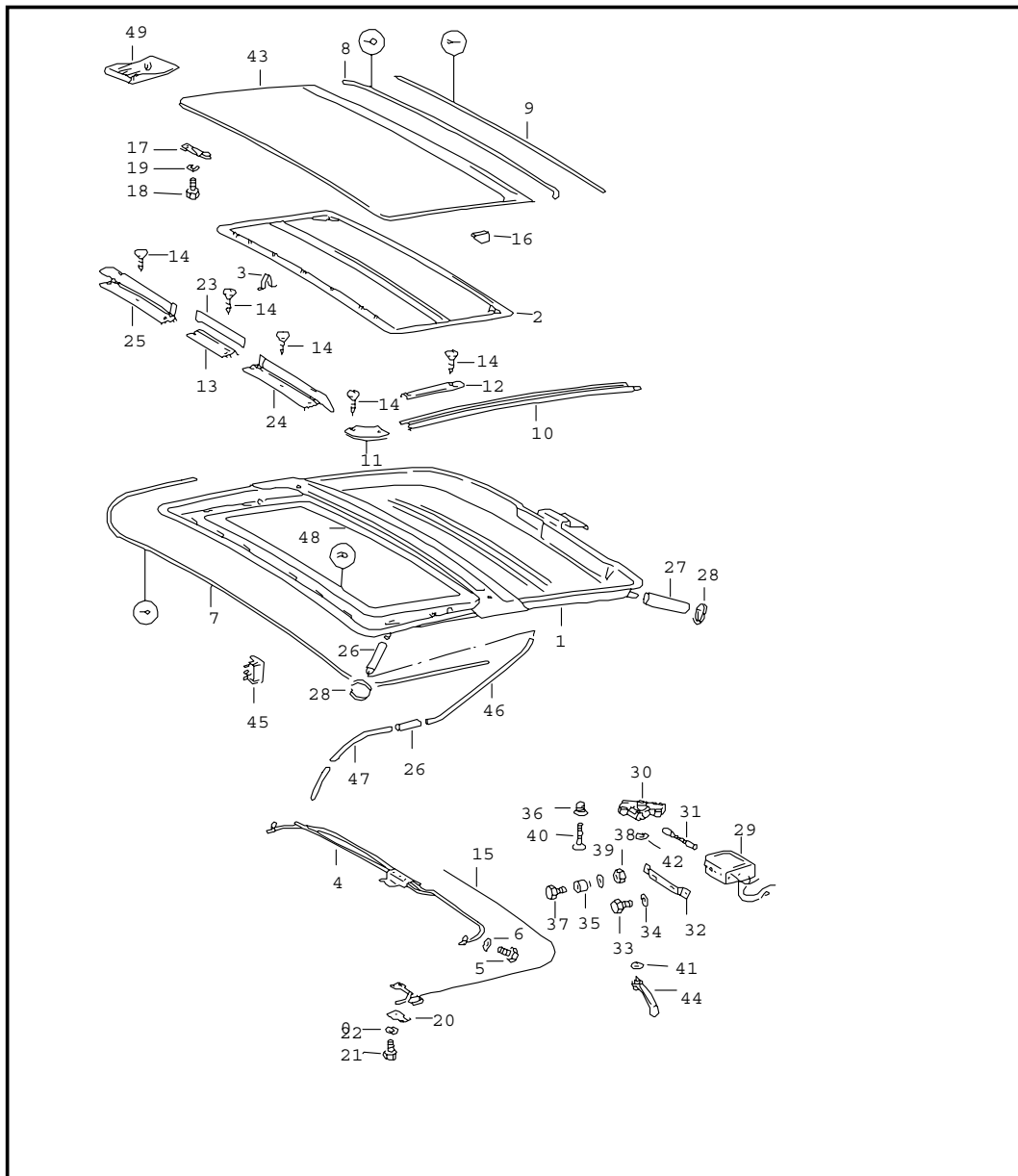
Pos	Part Number	Name	Remarks	Qty	Model
					TARGA
		decorative fittings			
1	901 559 307 40	logo gold-coloured		2	
1	911 559 307 41	logo black		2	
(2)	999 591 423 03	tapping nut		4	
3	901 565 077 40	moulding left for cars with convertible top rear wall	70	1	
(3)	901 565 078 40	moulding right for cars with convertible top rear wall	70	1	
(4)	900 151 006 40	washer B 6,4	70	4	
5	999 591 340 02	tapping nut	70	4	
6	911 565 947 40	moulding left for cars with rear wall washer fixed		1	
(6)	911 565 948 40	moulding right for cars with rear wall washer fixed		1	
-	901 565 557 40	pipng for picture 6		2	
-	901 565 563 40	plug		2	
7	N 013 957 5	tapping screw B 3,5 X 9,5		8	
8	900 144 009 00	counters. head tapp. screw 2,9 X 13		2	
9	900 151 006 40	washer B 6,4		4	
10	999 591 423 03	tapping nut		X	



Model	Year	MG	SG	Illustration	Restrictions	Update					
911	73	8	10	810-05		203	12:19	21.08.2006	PORSCHE	PET	PORSCHE

Pos	Part Number	Name	Remarks	Qty	Model	Pos	Part Number	Name	Remarks	Qty	Model
		- - - E N D - - -									

Model	Year	MG	SG	Illustration	Restrictions	Update	12:20	21.08.2006	PORSCHE	PET	PORSCHE
911	73	8	11	811-00		203					

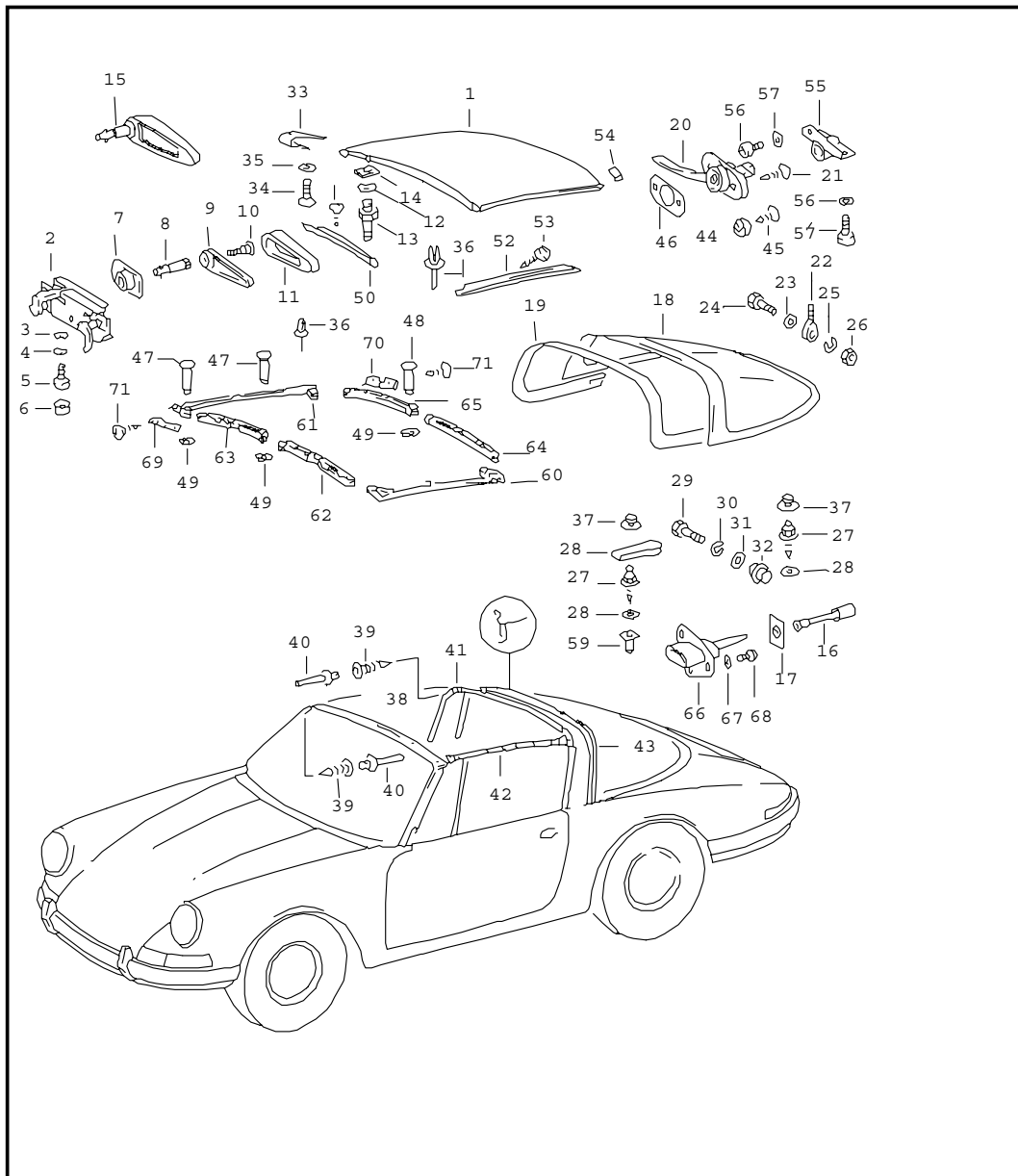


Pos	Part Number	Name	Remarks	Qty	Model
		sunroof electric	M		COUPE
-	901 564 003 05	sunroof complete		1	
1	901 564 011 05	frame complete		1	
(2)	901 564 020 06	roof frame bodyshell complete	-71	1	
2	901 564 020 07	roof frame bodyshell complete	72-	1	
-	901 564 291 05	roof frame cover indicate colour	-71	1	
-	901 564 291 07	roof frame cover indicate colour	72-	1	
3	901 564 299 05	clamp		7	
4	901 564 031 05	pipe holder complete		1	
5	900 075 092 02	hexagon-head bolt M 4 X 10		4	
6	N 012 116 1	serrated lock washer A 4,3		4	
7	911 564 191 00	velvet strip		1	
8	911 564 193 00	velvet strip		1	
9	901 564 905 05	sealing rubber	/H	1	
10	901 564 041 05	guide rail	/L	1	
(10)	901 564 042 05	guide rail	/R	1	
11	901 564 405 05	end piece	/L	1	
(11)	901 564 406 05	end piece	/R	1	
12	901 564 407 05	intermediate piece		2	
13	901 564 409 05	centre piece		1	
14	900 145 009 02	tapping screw B 3,9 X 9,5		16	
15	901 564 043 05	guide	/H/L	1	

Model	Year	MG	SG	Illustration	Restrictions	Update	12:20	21.08.2006	PORSCHE	PET	PORSCHE
911	73	8	11	811-00		203					

Pos	Part Number	Name	Remarks	Qty	Model	Pos	Part Number	Name	Remarks	Qty	Model
(15)	901 564 044 05	guide	/H/R	1		36	901 564 661 05	screw		2	
16	901 564 431 05	guide shoe		2		37	900 075 007 02	hexagon-head bolt M 6 X 6		2	
17	911 564 045 00	guide	/V	2		38	900 076 010 02	hexagon nut M 6		2	
-	911 564 451 00	tab washer for picture 17		2		39	900 115 006 01	serrated lock washer A 6,4		2	
18	911 564 459 00	screw	-71	4		40	900 148 028 02	rais. counters. h. tap. s. AM 4 X 25		2	
18	911 564 459 00	screw	72-	4		41	911 564 643 00	washer		3	
19	900 115 001 01	serrated lock washer A 5,3		4		42	901 564 663 05	cap		1	
20	901 564 451 05	reinforcement for cover		2		43	901 564 051 05	cover for sunroof		1	
21	900 075 106 02	hexagon-head bolt M 4 X 6		4		44	901 564 085 05	crank		1	
22	N 012 116 1	serrated lock washer A 4,3		4		45	911 613 622 00	tip switch		1	
23	901 564 703 05	air deflector		1		46	901 503 581 05	water drain tube upper left		1	
24	901 564 073 05	cable cover	/L	1		(46)	901 503 582 05	water drain tube upper right		1	
25	901 564 074 05	cable cover	/R	1		47	901 503 583 05	water drain tube lower	/L	1	
26	911 564 821 01	water drain hose	/V	4		(47)	901 503 584 05	water drain tube lower	/R	1	
27	911 564 825 00	water drain hose	/H	2		48	911 564 465 00	beading		1	
28	644 564 925 50	hose clamp	-70	8		49	901 564 433 05	protective edging		4	
28	999 512 105 02	hose clamp	71-	8							
29	911 624 016 00	motor		1				- - - E N D - - -			
30	911 564 601 00	transmission		1							
31	901 564 615 06	pliable shaft		1							
32	911 624 501 00	retaining bow		1							
33	900 075 010 02	hexagon-head bolt M 6 X 12		2							
34	N 011 524 7	washer 6,4		2							
35	901 624 511 05	silentbloc		2							

Model	Year	MG	SG	Illustration	Restrictions	Update	12:20	21.08.2006	PORSCHE	PET	PORSCHE
911	73	8	11	811-05		203					



Pos	Part Number	Name	Remarks	Qty	Model
		roof			TARGA
1	901 565 002 45	soft top	-72	1	
1	911 565 002 40	soft top	73-	1	
-	901 565 036 42	inner lining	-72	1	
-	901 565 036 43	inner lining	73-	1	
-	901 565 035 40	outer lining	-72	1	
-	901 565 035 41	outer lining	73-	1	
2	911 565 031 41	catch		2	
3	N 011 524 7	washer 6,4		4	
4	900 028 008 01	spring washer B 6		4	
5	999 509 006 02	pan-head screw		4	
6	901 565 218 40	cap		4	
7	901 565 299 45	rose	-71	2	
8	901 565 054 40	bolt	-71	2	
9	901 565 225 40	handle	-71	2	
10	911 542 475 00	conical screw	-71	2	
11	901 565 227 40	cover handle complete valid from: 1972 see illustrations 15	-71	2	
12	N 012 241 1	spring washer B 8 X 15		2	
13	901 565 216 42	locating peg		2	
14	901 565 203 40	threaded plate	-70	2	
15	911 565 075 41	handle	72-	1	
16	901 565 220 41	silentbloc		2	
17	901 565 361 40	seal		2	
18	901 565 006 41	rear wall complete	-71	1	

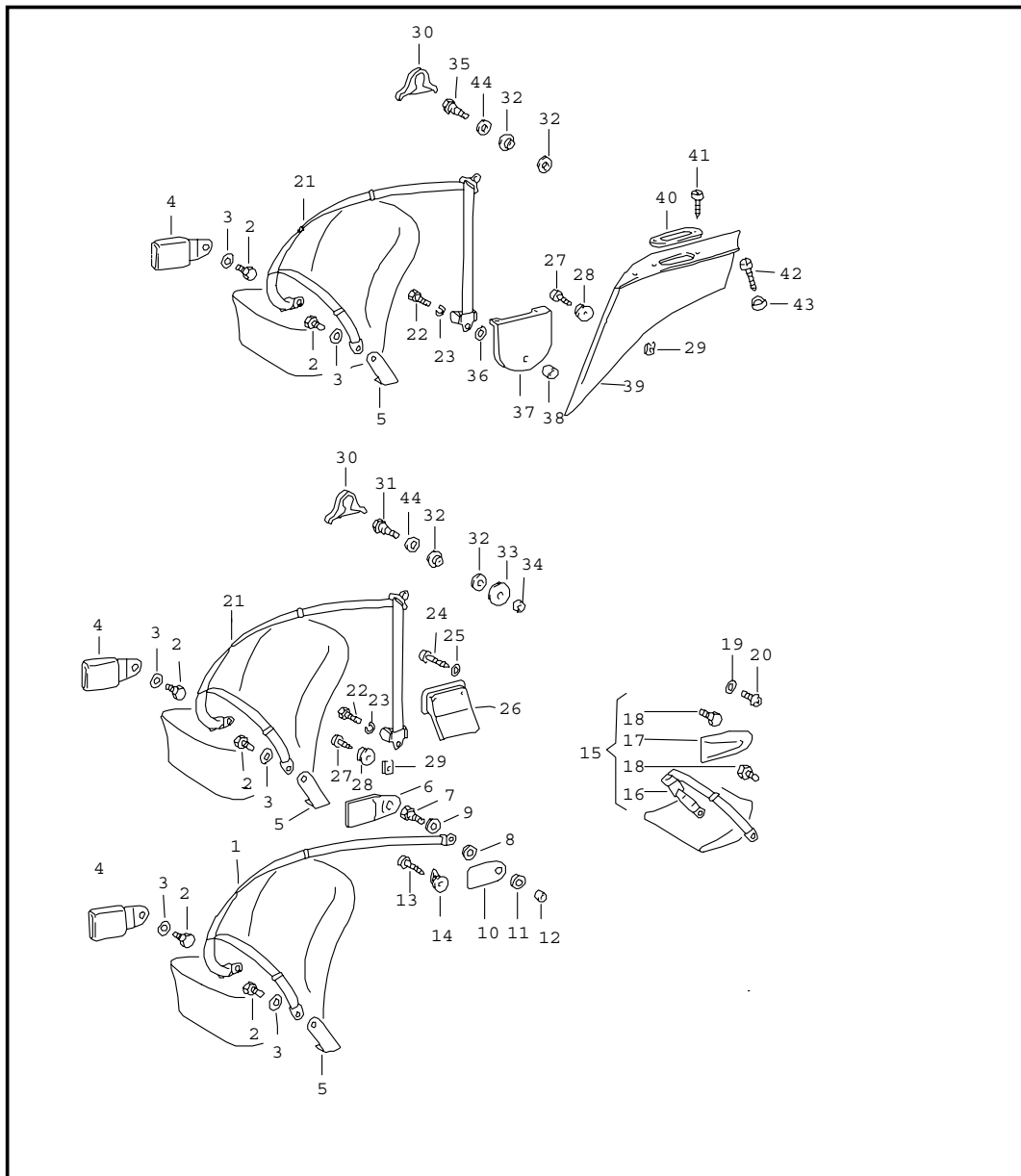
Model	Year	MG	SG	Illustration	Restrictions	Update	12:20	21.08.2006	PORSCHE	PET	PORSCHE
911	73	8	11	811-05		203					

Pos	Part Number	Name	Remarks	Qty	Model	Pos	Part Number	Name	Remarks	Qty	Model
(18)	901 565 085 40	rear wall without tubular frame	-71	1		34	999 219 006 02	countersunk-head screw AM 4 X 8		16	
-	901 565 608 40	plastic washer 600 X 1600	-71	1		35	900 115 008 02	serrated lock washer V 4,3		16	
19	901 565 615 40	zip	-71	1		36	999 591 518 40	plastic rivet	-71	24	
20	901 565 802 40	handle right	-71	1		36	999 591 519 40	plastic rivet	72-	3	
(20)	901 565 801 40	handle left	-71	1		37	999 591 601 12	tenax upper part	-71	13	
21	900 019 029 02	rais. counters. h. tap. s. AM 6 X 18	-71	4		38	901 565 090 41	gasket	-71	1	
22	901 565 327 40	eye screw	-71	3		38	911 565 090 40	gasket	72-	1	
23	N 011 524 7	washer 6,4	-71	3		39	999 591 520 40	plug		6	
24	900 067 011 02	pan-head screw M 6 X 20	-71	3		40	999 591 384 40	cap		6	
25	N 012 007 2	lock ring A 6	-71	3		41	901 565 091 44	gasket		1	
26	900 076 010 02	hexagon nut M 6	-71	3		42	911 565 259 40	roof frame seal left		1	
27	999 591 603 12	tenax lower part	-71	13		(42)	911 565 260 40	roof frame seal right		1	
28	999 151 024 40	washer	-71	15		43	901 565 914 40	seal	-71	1	
29	900 074 015 02	hexagon-head bolt M 6 X 30	-71	2		44	901 565 805 40	eccentric washer	-71	2	WW
30	N 012 007 2	lock ring A 6	-71	2		(44)	901 565 805 41	eccentric washer	-71	2	
31	900 151 006 09	washer B 6,4	-71	2		45	900 148 003 02	rais. counters. h. tap. s. AM 4 X 8	-71	2	
32	901 565 819 40	spacer sleeve	-71	2		46	901 565 827 40	desk pad	-71	2	
-	901 565 088 42	tonneau cover	-71	1		47	901 565 328 45	bolt 38,2 MM		4	
-	901 565 088 45	tonneau cover long	-71	1		48	901 565 209 40	bolt 33,0 MM rear	/L/R/	2	
-	901 565 089 40	cover for tonneau cover	-71	1		49	900 041 004 01	circlip		6	
33	964 565 265 00	latch		8		-	999 234 003 40	shim		X	
						50	911 555 559 41	strip	/L -72	1	
						50	911 555 559 41	strip	/L 73-	1	
						(50)	911 555 560 41	strip	/R -72	1	
						(50)	911 555 560 41	strip	/R 73-	1	

Model	Year	MG	SG	Illustration	Restrictions	Update	12:20	21.08.2006	PORSCHE	PET	PORSCHE
911	73	8	11	811-05		203					

Pos	Part Number	Name	Remarks	Qty	Model	Pos	Part Number	Name	Remarks	Qty	Model
51	900 140 015 00	rais. counters. h. tap. s. B 3,9 X 9,5		8		70	901 565 274 45	cover	/R	1	
52	901 565 303 45	rain channel	/L	1		71	N 013 953 2	tapping screw B2,9 X 9,5		12	
(52)	901 565 304 45	rain channel	/R	1		-	900 025 001 02	washer B3,2		4	
53	N 013 957 5	tapping screw B 3,5 X 9,5		10				- - - E N D - - -			
-	900 025 002 02	washer 4,3		10							
54	901 565 213 40	cover	-71	2							
55	901 565 814 40	bearing	/L -71	1							
(55)	901 565 813 40	bearing	/R -71	1							
56	999 509 006 02	pan-head screw	-71	6							
57	900 115 006 01	serrated lock washer	-71	6							
58	901 565 619 40	loop	-71	1							
59	999 591 345 40	special nut	-71	1							
60	901 565 201 45	roof frame	/L	1							
61	901 565 202 45	roof frame	/R	1							
62	901 565 207 45	roof frame	/L/V	1							
63	911 565 208 40	roof frame	/R/V	1							
64	901 565 211 45	roof frame	/L/H	1							
65	901 565 212 45	roof frame	/R/H	1							
66	901 565 037 45	silentbloc	/L	1							
66	901 565 038 45	silentbloc	/R	1							
67	900 028 008 01	spring washer B6		6							
68	N 014 765 2	pan-head screw M6 X 10		6							
(69)	901 565 097 45	cover	/L -72	1							
(69)	901 565 097 46	cover	/L 73-	1							
69	901 565 098 45	cover	/R -72	1							
69	901 565 098 46	cover	/R 73-	1							
(70)	901 565 273 45	cover	/L	1							

Model	Year	MG	SG	Illustration	Restrictions	Update	12:20	21.08.2006	PORSCHE	PET	PORSCHE
911	73	8	12	812-00		203					



Pos	Part Number	Name	Remarks	Qty	Model
-	901 803 017 26	seat belt three-point seat belt without automatic	/L -71	1	COUPE
-	901 803 018 26	seat belt three-point seat belt without automatic with ill. NR. 1-4,6-11,13-14	/R -71	1	COUPE
-	911 803 015 00	seat belt three-point seat belt without automatic with picture NR.1-3,6-11,13,14	72-	2	COUPE
-	901 803 017 25	seat belt three-point seat belt without automatic for (USA) + (AUS) with picture NR. 1-4,6-11,13-14	/LL/L-71	1	COUPE
-	901 803 018 25	seat belt three-point seat belt without automatic for (USA) + (AUS) with picture NR.1-4,6-11,13,14	/LL/R-71	1	COUPE

Model	Year	MG	SG	Illustration	Restrictions	Update	12:20	21.08.2006	PORSCHE	PET	PORSCHE
911	73	8	12	812-00		203					

Pos	Part Number	Name	Remarks	Qty	Model	Pos	Part Number	Name	Remarks	Qty	Model
-	911 803 015 06	seat belt three-point seat belt without automatic with picture NR.1-3,6-11,13,14 for (USA) until 31.12.71 for (CDN) until 01.07.72	/LL 72-	2	COUPE (AUS) (J)	1	901 803 011 06	seat belt three-point seat belt without automatic		2	
						2	901 803 127 10	hexagon-head bolt	-71	4	
						2	901 803 127 00	hexagon-head bolt	72-	4	
						3	N 012 238 5	spring washer	-71	4	
						3	N 012 238 5	spring washer B 16	72-	4	
						(4)	901 803 129 26	seat-belt buckle for (USA) until 31.12.71 for (CDN) until 01.07.72	/L -72	1	
-	901 803 017 42	seat belt three-point seat belt without automatic with picture NR. 1-4,6-14	/LL/L-71	1	TARGA						
-	901 803 018 42	seat belt three-point seat belt without automatic with picture NR.1-4,6-14	/R -71	1	TARGA	(4)	911 803 169 00	seat-belt buckle	73-	1	
						(4)	901 803 129 27	seat-belt buckle for sports seat for (USA) until 31.12.71 for (CDN) until 01.07.72	/L -72	1	
-	911 803 015 40	seat belt three-point seat belt without automatic with picture NR. 1-3,6-14	72-	1	TARGA						
						(4)	901 803 130 26	seat-belt buckle for (USA) until 31.12.71 for (CDN) until 01.07.72	/R -72	1	
-	911 803 015 46	seat belt three-point seat belt without automatic with picture NR.1-3,6-14 for (USA) until 31.12.71 for (CDN) until 01.07.72	72-	2	TARGA (AUS) (J)						
						(4)	911 803 170 00	seat-belt buckle	/R 73-	1	

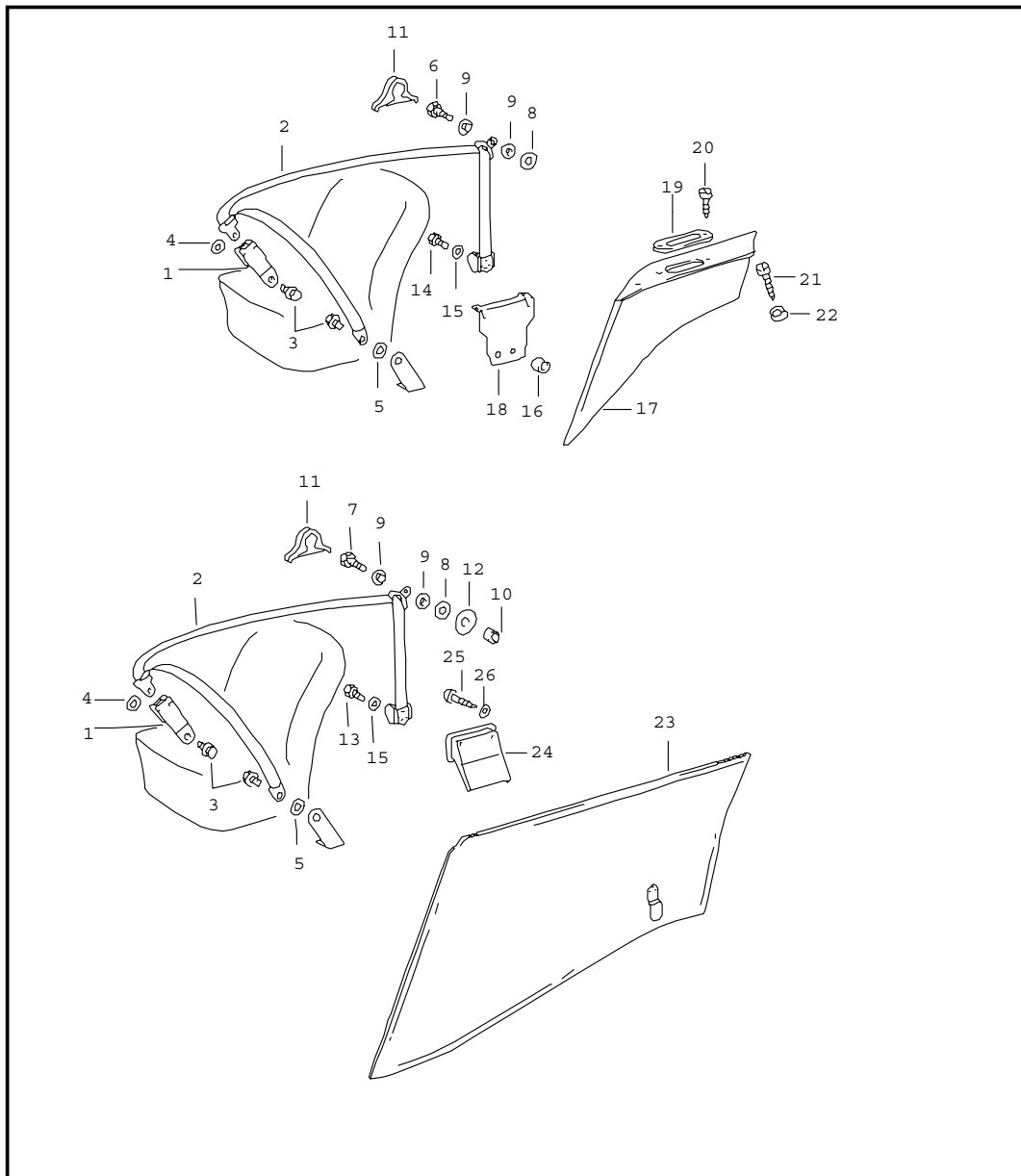
Model	Year	MG	SG	Illustration	Restrictions	Update	12:20	21.08.2006	PORSCHE	PET	PORSCHE
911	73	8	12	812-00		203					

Pos	Part Number	Name	Remarks	Qty	Model	Pos	Part Number	Name	Remarks	Qty	Model
(4)	901 803 130 27	seat-belt buckle for sports seat for (USA) until 31.12.71 for (CDN) until 01.07.72	/R -72	1		(21)	901 803 018 21	seat belt three-point seat belt with automatic with picture NR.2-4,21-23,27-30,32,35-36,38	/R -71	1	COUPE
5	901 521 043 00	angle	/L	2		(21)	911 803 029 00	seat belt three-point seat belt with automatic with picture NR.2-4,2-23,30,32,35,38,44	/L 72-	1	COUPE
(5)	901 521 044 00	angle	/R	2		(21)	911 803 030 00	seat belt three-point seat belt with automatic with picture NR.2-4,22,23,30,32,35,38,44	72-	1	COUPE
6	901 803 107 20	protection cap		2		(21)	911 803 029 40	seat belt three-point seat belt with automatic with picture NR.2-4,22,23,30,34	/L 72-	1	TARGA
7	901 803 119 20	hexagon-head bolt		2		(21)	911 803 030 40	seat belt three-point seat belt with automatic with picture NR.2-4,22,23,30,34	/R 72-	1	TARGA
(7)	901 803 119 21	hexagon-head bolt	/LL	1	TARGA	(21)	901 803 017 43	seat belt three-point seat belt with automatic with picture NR. 2-4,21-23,27-34	/LL/L-71	1	TARGA
8	901 803 149 00	shim		2		(21)	901 803 018 43	seat belt three-point seat belt with automatic with picture NR. 2-4,21-23,27-34	/LL/R-71	1	TARGA
9	999 025 061 02	washer		2							
10	901 803 148 00	cover		2							
11	901 803 144 01	washer		2	COUPE						
(11)	901 803 144 00	washer	/LL	2	TARGA						
12	901 803 114 40	spacer tube	/LL	2	TARGA						
13	900 143 004 00	oval-head sheetmetal screw 3,5X19		2	COUPE						
(13)	900 143 003 00	oval-head sheetmetal screw 3,5X16	/LL	2	TARGA						
14	901 803 135 00	suspension		2							
17	901 803 107 20	protection cap	/LL	4							
18	901 803 118 20	hexagon-head bolt	/LL	4							
19	901 803 113 20	cover disc		4							
20	901 803 115 20	plug		4							
21	901 803 017 21	seat belt three-point seat belt with automatic with picture NR. 2-4,21-23,27-30,32,35-36,38	/L -71	1	COUPE						

Model	Year	MG	SG	Illustration	Restrictions	Update	12:20	21.08.2006	PORSCHE	PET	PORSCHE
911	73	8	12	812-00		203					

Pos	Part Number	Name	Remarks	Qty	Model	Pos	Part Number	Name	Remarks	Qty	Model
22	111 857 799 A	fastening screw	/LL -71	2	TARGA	(38)	911 803 151 00	spacer tube	73-	2	COUPE
(22)	111 857 799 A	hexagon-head bolt	/LL 72-	2	TARGA	39	911 555 069 01	cover	/L -72	1	COUPE
(22)	901 803 124 00	hexagon-head bolt	-71	2	COUPE	(39)	911 555 069 01	cover for automatic seat belt	/L 73-	1	
(22)	111 857 799	hexagon-head bolt	72-	2	COUPE						
23	900 027 017 02	lock ring B 12	-71	2		(39)	911 555 070 01	cover	/R -72	1	COUPE
(23)	N 012 112 2	serrated lock washer I 12,5	72-	2		(39)	911 555 070 01	cover for automatic seat belt	/R 73-	1	
24	N 013 958 7	tapping screw B 3,5X13	/LL	4	TARGA						
25	N 011 663 1	washer B 3,7	/LL	4	TARGA	40	901 555 615 00	rose		2	COUPE
26	901 803 139 00	rose for automatic seat belt	/LL	2	TARGA	41	900 145 006 02	rais. counters. h. tap. s. B 3,5X19		4	COUPE
						42	900 145 059 00	rais. counters. h. tap. s. B 3,5X25		2	COUPE
27	900 143 064 07	tapping screw B 3,5X25	-72	2		43	999 591 102 12	protection washer		2	COUPE
28	901 803 135 00	suspension	-72	2		44	999 025 113 02	washer installation set for seat belt for subsequent installat. see group 8/98/30		2	COUPE
29	999 507 011 01	speed nut	-72	2							
30	901 803 134 20	protection cap	-72	2							
(30)	901 803 134 21	protection cap	73-	2							
31	901 803 146 00	hexagon-head bolt	/LL	2	TARGA						
32	901 803 147 00	washer		2							
33	901 803 144 00	plastic washer	/LL	2	TARGA						
34	901 803 114 40	spacer tube	/LL	2	TARGA						
35	901 803 145 00	hexagon-head bolt	-71	2	COUPE						
(35)	901 803 145 01	hexagon-head bolt	72-	2	COUPE						
36	901 803 144 01	washer		2	COUPE						
37	911 555 613 00	support	/L -71	1	COUPE						
(37)	911 555 613 00	support	/R -71	1	COUPE						
(37)	911 555 613 00	support	72-	2	COUPE						
38	901 803 112 40	spacer tube	-72	2	COUPE						

Model	Year	MG	SG	Illustration	Restrictions	Update	12:20	21.08.2006	PORSCHE	PET	PORSCHE
911	73	8	12	812-05		203					

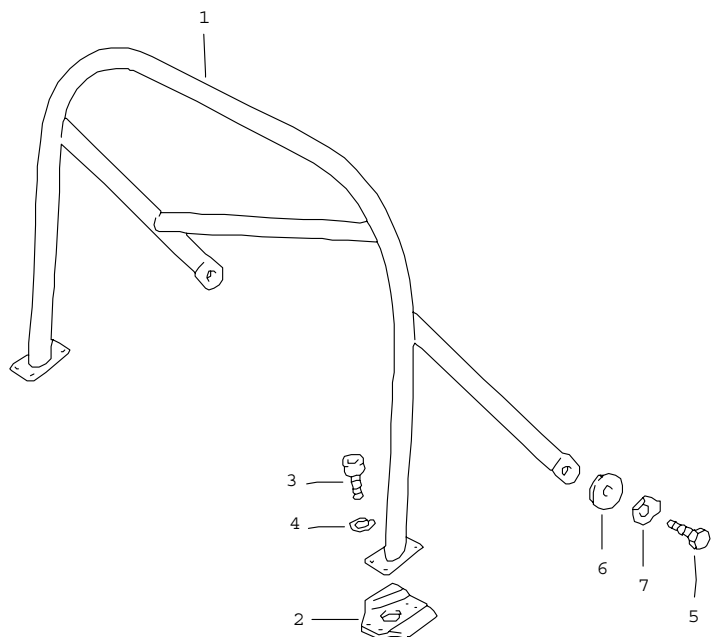


Pos	Part Number	Name	Remarks	Qty	Model
		seat belt with automatic and warning indicator (USA) (CDN) for (USA) from 01.01.72 for (CDN) from 01.08.72			
1	911 803 127 00	seat-belt buckle complete	/L	1	
(1)	911 803 128 00	seat-belt buckle complete	/R	1	
2	911 803 011 00	seat belt three-point seat belt complete with automatic	/L	1	COUPE
(2)	911 803 914 01	seat belt three-point seat belt complete with automatic	/R	1	COUPE
(2)	911 803 011 40	seat belt three-point seat belt complete with automatic	/L	1	TARGA
(2)	911 803 012 40	seat belt three-point seat belt complete with automatic	/R	1	TARGA
3	901 803 127 00	hexagon-head bolt		2	
4	999 028 014 01	spring washer		2	
5	415 881 599	spring washer		2	
6	901 803 145 01	hexagon-head bolt		2	COUPE
7	901 803 146 00	hexagon-head bolt		2	TARGA
8	999 025 113 02	washer		2	

Model	Year	MG	SG	Illustration	Restrictions	Update	12:20	21.08.2006	PORSCHE	PET	PORSCHE
911	73	8	12	812-05		203					

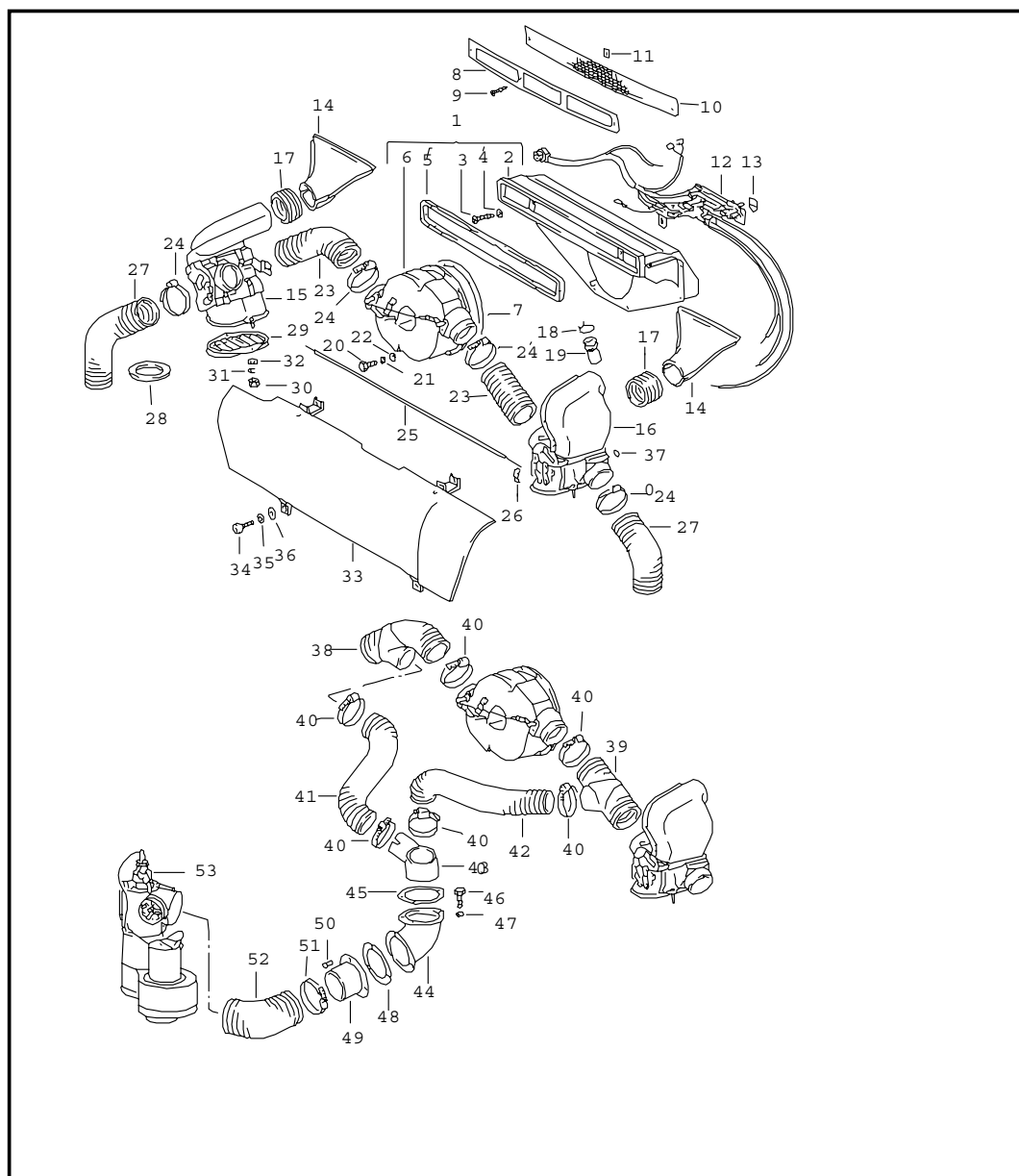
Pos	Part Number	Name	Remarks	Qty	Model	Pos	Part Number	Name	Remarks	Qty	Model
9	901 803 147 00	washer		4							
10	901 803 114 40	spacer tube		2	TARGA						
11	901 803 134 20	cap		2							
12	901 803 144 00	washer		2	TARGA						
13	111 857 799 A	hexagon-head bolt		2	TARGA						
14	111 857 799	hexagon-head bolt		2	COUPE						
15	N 012 112 2	serrated lock washer J 12,5		2							
16	911 803 151 00	spacer tube		2	COUPE						
17	911 555 611 00	cover	/L -72	1	COUPE						
(17)	911 555 069 01	cover	/L 73-	1	COUPE						
(17)	911 555 070 01	cover	/R -72	1	COUPE						
(17)	911 555 612 00	cover	/R 73-	1	COUPE						
18	911 555 613 00	support		2	COUPE						
19	901 555 615 00	rose		2	COUPE						
20	900 145 006 02	rais. counters. h. tap. s. B 3,5X19		4	COUPE						
21	900 145 059 00	rais. counters. h. tap. s. B 3,5X25		2	COUPE						
22	999 591 102 12	protection washer		2	COUPE						
23	911 555 071 41	side trim panel	/L	1	TARGA						
(23)	911 555 072 41	side trim panel	/R	1	TARGA						
24	901 803 139 00	rose		2	TARGA						
25	N 013 958 7	tapping screw B 3,5X13		4	TARGA						
26	N 011 663 1	washer B 3,7		4	TARGA						
- - - E N D - - -											

Model	Year	MG	SG	Illustration	Restrictions	Update	12:20	21.08.2006	PORSCHE	PET	PORSCHE
911	73	8	12	812-10		203					



Pos	Part Number	Name	Remarks	Qty	Model
		roll bar			
>>>	911 803 020 00	roll bar	-71	1	
>>>	911 803 020 01	roll bar set for subsequent installat. comprising:	72-	1	
1	901 803 015 21	roll bar	-71	1	
(1)	901 803 015 22	roll bar only for car without sunroof	72-	1	
2	901 803 231 21	threaded plate	/L -71	1	
(2)	901 803 231 22	threaded plate	/L 72-	1	
(2)	901 803 232 21	threaded plate	/R	1	
(2)	901 803 232 22	threaded plate	/R 72-	1	
3	900 119 033 02	pan-head screw M 10X15		8	
4	N 012 242 3	spring washer B 10X28		8	
5	900 075 085 02	hexagon-head bolt M 8X20		2	
6	900 151 008 02	washer A 8,4		2	
7	900 020 004 01	tab washer 8,4		2	
- - - E N D - - -					

Model	Year	MG	SG	Illustration	Restrictions	Update	12:21	21.08.2006	PORSCHE	PET	PORSCHE
911	73	8	13	813-00		203					



Pos	Part Number	Name	Remarks	Qty	Model
		ventilation and heating			
1	901 571 021 32	fresh air inlet box complete	/LL -72	1	
(1)	911 571 031 00	fresh air inlet box complete	/LL 73-	1	
(1)	901 571 022 32	fresh air inlet box complete not for - TARGA-	/RL -72	1	
(1)	911 571 032 00	fresh air inlet box complete not for - TARGA -	/RL 73-	1	
2	901 571 030 32	fresh air inlet box	/LL	1	
(2)	901 571 032 32	fresh air inlet box not for - TARGA-	/RL	1	
3	N 014 153 1	oval-head screw M 5X40 DIN 7985 VERZ.	/LL	2	
4	900 025 003 02	washer 5,3 DIN 125-ST VERZ.	/LL	2	
5	901 571 325 32	sealing frame		1	
6	911 571 018 00	blower with engine		1	
7	901 571 922 00	sealing ring		1	
-	911 571 320 32	blower motor with fan		1	
8	901 559 401 20	grille frame		1	
9	900 145 036 00	rais. counters. h. tap. s. B 3,5X13 DIN 7983		4	
10	901 559 410 20	grille		1	
11	901 559 491 20	spacer		2	
12	911 613 111 04	control part	/LL	1	
(12)	911 613 112 04	control switch	/RL	1	

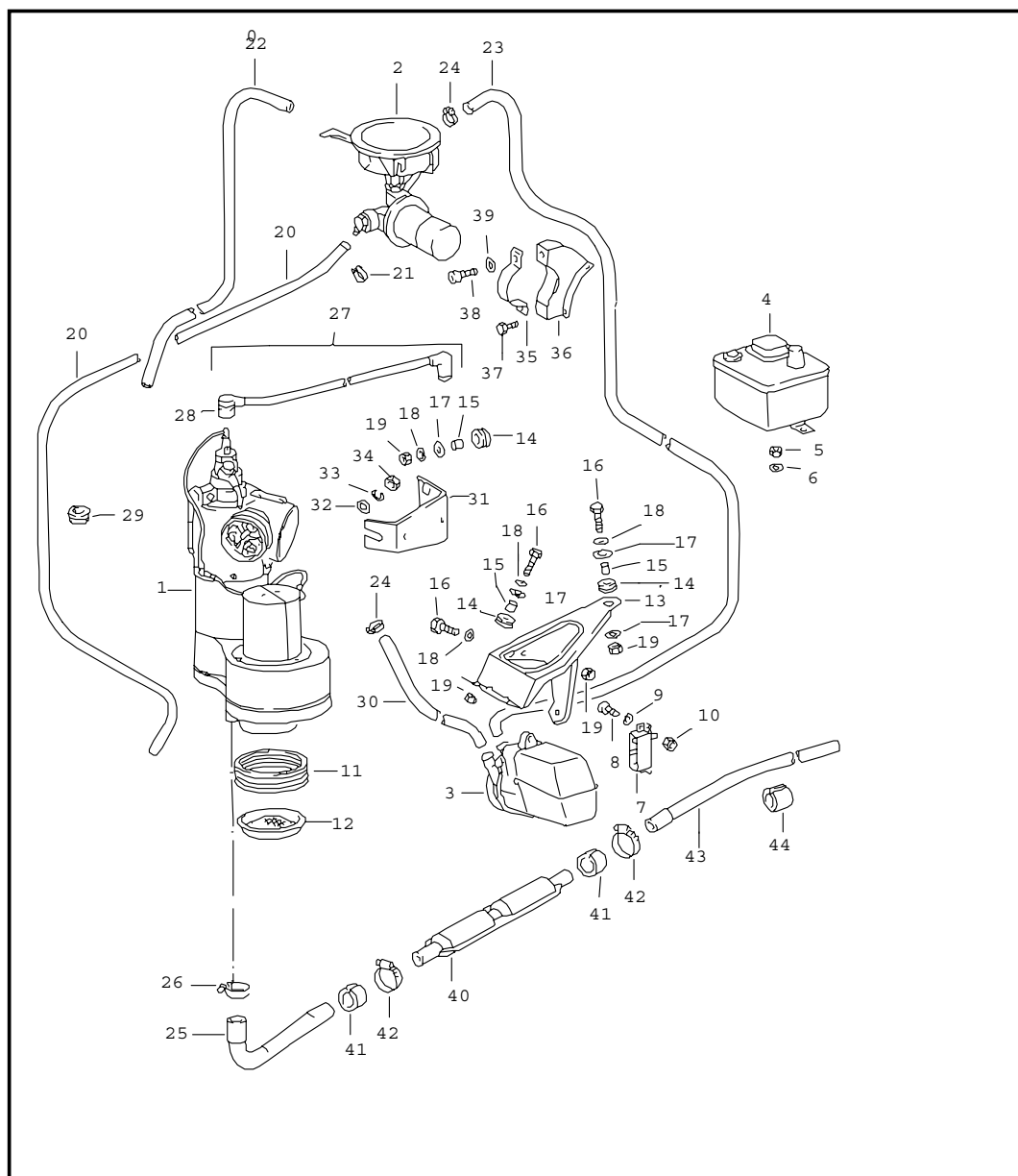
Model	Year	MG	SG	Illustration	Restrictions	Update	12:21	21.08.2006	PORSCHE	PET	PORSCHE
911	73	8	13	813-00		203					

Pos	Part Number	Name	Remarks	Qty	Model	Pos	Part Number	Name	Remarks	Qty	Model
-	900 631 129 90	bulb 12 V / 1,2W		1		25	911 572 114 00	bowden control	-70	2	
-	914 571 903 10	rubber base		2		(25)	911 572 114 00	bowden cable	71-	2	
-	900 074 012 02	hexagon-head bolt M 6X20 DIN 931-8.8 VERZ.		1		26	901 571 919 00	clamp		7	
-	N 011 524 7	washer 6,4 DIN 125-ST VERZ.		1		27	901 571 347 32	heater hose \$ 61		1	
-	914 571 151 10	rubber sleeve for bowden cable		1		28	901 572 913 01	gasket		2	
-	999 702 072 50	rubber sleeve for bowden cable		3		29	911 571 348 01	air distributor		2	
13	901 571 917 00	knob black		2		30	900 067 004 02	pan-head screw M 5X15 DIN 912-8 VERZ.		4	
(13)	901 571 918 00	knob red		1		31	N 012 005 3	lock ring B 5 DIN 127 PHR		4	
14	901 572 045 31	heating nozzle		2		32	900 025 003 02	washer 5,3 DIN 125-ST VERZ.		4	
15	901 571 050 32	control box	/R	1		33	911 551 067 00	lining for luggage compartment		1	
16	901 571 049 32	control box	/L	1		34	900 014 038 02	pan-head screw AM 6X12 DIN 84 VERZ.		4	
17	901 571 345 32	hose piece \$ 61		2		35	N 012 007 2	lock ring A 6 DIN 127 PHR		4	
18	999 512 145 02	hose clamp		1		36	900 151 003 02	washer 6,4 DIN 9021 VERZ.		4	
19	901 571 326 32	connection piece		1		37	901 571 921 00	retainer		24	
-	901 571 063 20	water drain tube	/LL -71	1				picture NR. 38-53 installation set for subsequent installat. for heater left-hand drive			
-	901 571 064 20	water drain tube	/RL -71	1							
-	911 571 224 00	water drain hose	72-	1							
20	N 010 205 6	hexagon-head bolt M 5X10 DIN 933-8.8 VERZ.		2		38	901 572 066 00	air hose with connection piece	/R	1	
21	900 027 003 01	lock ring B 5 DIN 127 PHR		2		39	901 572 065 00	air hose with connection piece	/L	1	
22	900 025 003 02	washer 5,3 DIN 125 VERZ.		2		40	999 512 348 02	hose clamp		4	
23	914 572 123 10	air hose \$ 61		2		41	901 572 648 00	hose for hot air	/R	1	
24	999 512 349 02	hose clamp		8							

Model	Year	MG	SG	Illustration	Restrictions	Update	12:21	21.08.2006	PORSCHE	PET	PORSCHE
911	73	8	13	813-00		203					

Pos	Part Number	Name	Remarks	Qty	Model	Pos	Part Number	Name	Remarks	Qty	Model
42	901 572 647 00	hose for hot air	/L	1							
43	901 572 054 00	distributing piece		1							
44	901 572 058 00	connecting piece		1							
45	901 572 527 00	sealing washer		1							
46	900 075 219 02	hexagon-head bolt M 5X10 DIN 933-8G VERZ.	-71	3							
(46)	N 010 205 6	hexagon-head bolt M 5X10	72-	3							
47	900 025 003 02	washer 5,3 DIN 125 ST VERZ.		3							
48	901 572 526 00	gasket		1							
49	901 572 521 00	flap		1							
50	900 055 019 20	rivet 3X6 DIN 660 CU		3							
51	999 512 151 02	hose clamp		2							
52	901 572 649 00	hose \$ 70		1							
53	-	heater see group 8/13/05									
		- - - E N D - - -									

Model	Year	MG	SG	Illustration	Restrictions	Update	12:21	21.08.2006	PORSCHE	PET	PORSCHE
911	73	8	13	813-05		203					

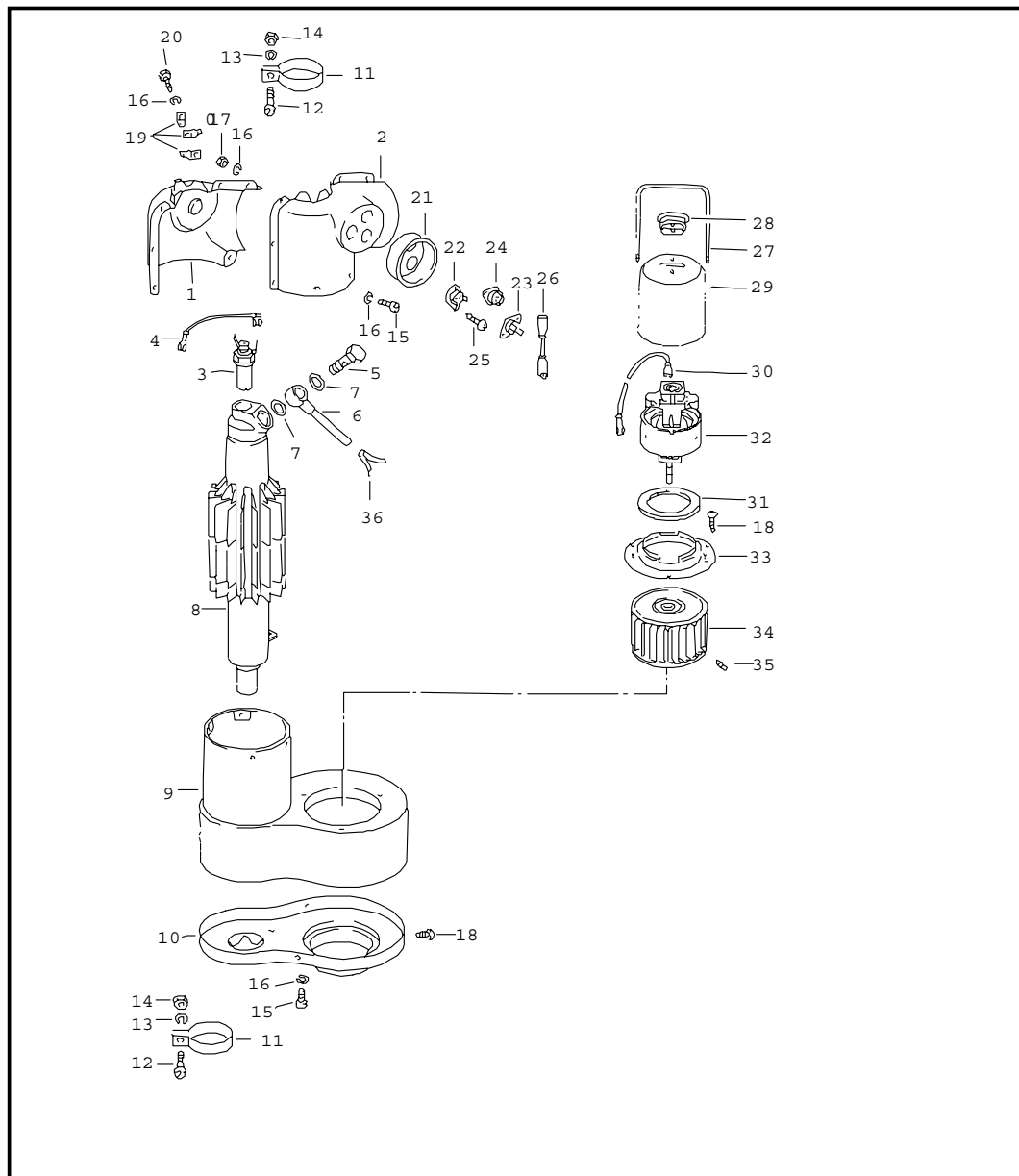


Pos	Part Number	Name	Remarks	Qty	Model
1	901 572 501 32	heat. and ventilation unit with accessories		1	
2	---	heater			
3	---	metering see group 8/13/15			
4	---	pump see group 8/13/15			
4	901 617 010 30	reconstruction set		1	
5	900 076 027 02	hexagon nut M 5		2	
6	900 115 001 01	serrated lock washer A 5,3		2	
7	901 615 109 30	switch		1	
8	900 014 079 02	pan-head screw AM 3X10		2	
9	900 115 007 01	serrated lock washer A 3,2 DIN 6798 PHR		2	
10	900 076 001 02	hexagon nut M 3 DIN 934-6S VERZ.		2	
11	901 572 591 30	gasket		1	
12	901 572 593 30	strainer		1	
13	901 572 515 30	bracket		1	
14	999 702 049 50	rubber sleeve		5	
15	901 572 519 30	spacer sleeve		5	
16	900 075 014 02	hexagon-head bolt M 6X18 DIN 933-8G VERZ.		5	
17	900 151 006 09	washer B 6,4 DIN 9021-ST VERZ.		5	
18	900 115 006 01	serrated lock washer A 6,4 DIN 6798 BOST.		5	
19	900 076 010 02	hexagon nut M 6 DIN 934-6S VERZ.		5	
20	999 180 030 50	fuel hose C 6 SN 710		*	

Model	Year	MG	SG	Illustration	Restrictions	Update	12:21	21.08.2006	PORSCHE	PET	PORSCHE
911	73	8	13	813-05		203					

Pos	Part Number	Name	Remarks	Qty	Model	Pos	Part Number	Name	Remarks	Qty	Model
21	999 512 055 02	hose clamp		2		42	999 512 125 02	hose clamp		2	
-	999 180 029 50	fuel hose C 11X17,5		*		43	901 572 602 30	exhaust line		1	
22	999 180 029 50	hose		1		44	901 572 609 30	protective tube		2	
-	999 180 029 50	fuel hose C 11X17,5		*		-	901 613 631 00	switch for heating		1	
23	999 180 029 50	hose		1		-	901 612 053 00	wiring harness for heater		1	
24	999 512 056 02	hose clamp		4		-	901 504 431 30	mat containing asbestos for 901 504 043 02		1	
25	901 572 627 31	exhaust pipe		1		-	901 504 491 30	gasket for cover		1	
26	999 512 046 02	hose clamp		1		-	901 201 023 04	threaded joint		1	
27	901 612 053 02	ignition lead		1		-	900 123 011 30	sealing ring A 22X27 DIN 7603-AL		1	
28	901 609 304 30	ignition coil plug		1				- - - E N D - - -			
29	999 702 027 50	rubber sleeve		1							
-	999 180 029 50	fuel hose C 11X17,5		*							
30	-	170 MM		1							
31	901 501 392 20	support		1							
32	900 151 008 02	washer A 8,4 DIN 9021-ST VERZ.		1							
33	900 027 005 01	lock ring A 8 DIN 127 PHR		1							
34	900 076 025 02	hexagon nut M 8 DIN 934-8 VERZ.		1							
35	901 501 489 00	clip for pump		1							
36	901 501 483 00	support		1							
37	N 043 890 1	tapping screw B 4,2X9,5 DIN 7976 VERZ.		4							
38	900 067 011 02	pan-head screw M 6X20 DIN 912-8.8		1							
39	N 012 007 2	lock ring A 6 DIN 127 PHR		1							
40	901 572 061 30	muffler		1							
41	901 572 619 30	protective tube		2							

Model	Year	MG	SG	Illustration	Restrictions	Update	12:21	21.08.2006	PORSCHE	PET	PORSCHE
911	73	8	13	813-10		203					



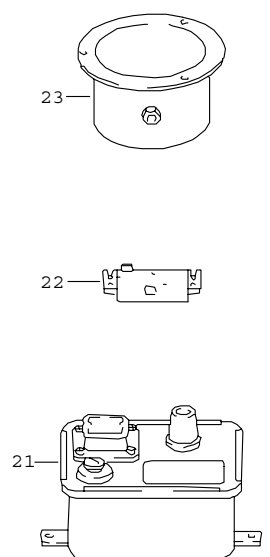
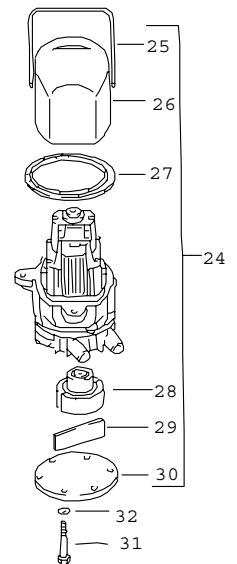
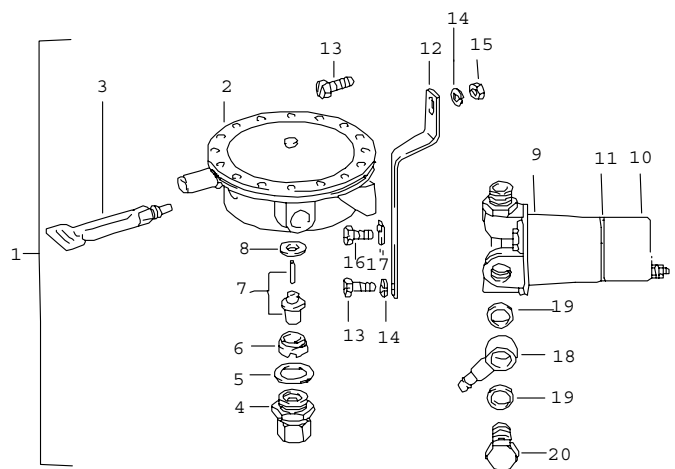
Pos	Part Number	Name	Remarks	Qty	Model
-		single parts for heater - WEBASTO -	/LL		
-	901 572 501 32	heater without accessories		1	
1	901 572 952 02	heated air distribut. side	/L	1	
2	901 572 951 02	heated air distribut. side	/R	1	
3	901 572 931 01	spark plug		1	
4	901 572 932 00	ground strap		1	
5	901 572 933 00	banjo bolt		1	
6	901 572 934 01	connecting piece		1	
7	N 013 849 2	sealing ring A 14X18 DIN 7603 CU		2	
8	901 572 956 01	heating tube complete		1	
9	901 572 955 01	housing complete		1	
10	901 572 953 01	housing cover complete		1	
11	901 572 950 00	clip		2	
12	900 014 070 02	pan-head screw AM 5X18 DIN 84-5S VERZ.		2	
13	999 029 003 00	lock ring \$ 5		2	
14	900 076 027 02	hexagon nut M 5 DIN 934-6S VERZ.		2	
15	900 014 002 02	pan-head screw AM 4X6 DIN 84-5S VERZ.		10	
16	999 029 002 00	lock ring \$ 4		10	
17	N 011 004 6	hexagon nut M 4 DIN 934-6S VERZ.		5	
18	N 013 910 3	screw B 3,5X6,5 DIN 7974 VERZ.		4	
19	901 572 938 00	flat plug		3	

Model	Year	MG	SG	Illustration	Restrictions	Update	12:21	21.08.2006	PORSCHE	PET	PORSCHE
911	73	8	13	813-10		203					

Pos	Part Number	Name	Remarks	Qty	Model	Pos	Part Number	Name	Remarks	Qty	Model
20	999 029 002 00	hexagon-head bolt AM 4X8 DIN 84-4S VERZ.		10							
21	901 572 986 00	housing complete		1							
22	901 572 983 00	thermostat red		1							
23	901 572 984 00	thermostat white		1							
24	901 572 985 00	thermostat blue		1							
25	900 141 009 02	half-round screw B 2,9X6,5 DIN 7974 VERZ.		6							
26	901 572 932 04	line		1							
27	901 572 942 00	clamp		1							
28	901 572 976 00	protective edging		1							
29	901 572 944 02	protection cap		1							
30	901 572 932 03	ground strap		1							
31	901 572 945 01	gasket		1							
32	901 572 946 02	electric motor		1							
-	901 572 978 00	wiper contact for 901 572 946 02		2							
33	901 572 948 01	engine carrier		1							
34	901 572 949 01	fan		1							
35	900 244 001 00	threaded pin		1							
36	901 572 987 00	backfire grid		1							
		- - - E N D - - -									

Model	Year	MG	SG	Illustration	Restrictions	Update	12:21	21.08.2006	PORSCHE	PET	PORSCHE
911	73	8	13	813-15		203					

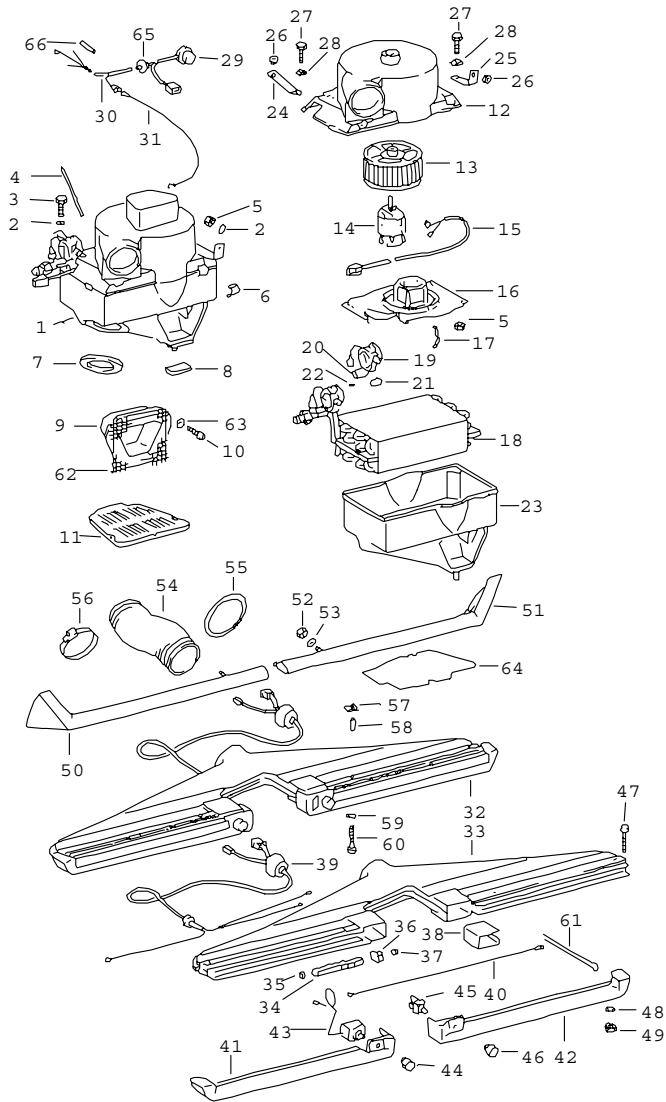
Pos	Part Number	Name	Remarks	Qty	Model
		repair material for heater - WEBASTO - metering fuel pump ignition spark transmitter resistor			
1	901 572 511 30	metering with fuel pump complete		1	
2	901 572 512 30	metering		1	
3	901 572 960 00	nozzle with key		1	
4	901 572 961 00	connection piece		1	
5	901 572 962 00	sealing ring		1	
6	901 572 963 00	threaded ring		1	
7	901 572 964 01	valve with pin		1	
8	901 572 966 00	gasket		1	
9	901 572 511 30	distributor 12 V		1	
10	901 572 967 00	flap		1	
11	901 572 968 00	sealing ring		1	
12	901 572 958 00	strut		1	
13	N 010 215 13	hexagon-head bolt M 6X 15 SZ DIN 933-8G VERZ		1	
14	999 029 004 00	lock ring \$ 6		3	
15	900 076 010 02	hexagon nut M 6 DIN 934-6S VERZ.		1	
16	900 075 118 02	hexagon-head bolt M 6X10 DIN 933-5S VERZ.		2	
17	901 572 938 01	flat plug		1	
18	901 572 959 00	ring piece M 14		1	



Model	Year	MG	SG	Illustration	Restrictions	Update	12:21	21.08.2006	PORSCHE	PET	PORSCHE
911	73	8	13	813-15		203					

Pos	Part Number	Name	Remarks	Qty	Model	Pos	Part Number	Name	Remarks	Qty	Model
19	900 123 007 60	sealing ring A 14X18 DIN 7603 FIBER		2							
20	900 134 007 00	banjo bolt A 8 DIN 7623-6S		1							
21	901 617 010 30	reconstruction set		1							
22	901 615 109 30	relay		1							
23	901 572 521 00	flap	69-	1							
24	901 572 513 31	pump		1							
-	901 572 979 00	wiper contact for 901 572 513 31		2							
25	901 572 943 01	clamp		1							
26	901 572 944 03	protection cap		1							
27	901 572 969 00	gasket		1							
28	901 572 980 01	rotor set		1							
29	901 572 981 00	slide		1							
30	901 572 982 00	cover		1							
31	900 075 117 02	hexagon-head bolt M 4X35		6							
32	999 029 002 00	lock ring A 4		6							
		- - - E N D - - -									

Model	Year	MG	SG	Illustration	Restrictions	Update	12:22	21.08.2006	PORSCHE	PET	PORSCHE
911	73	8	13	813-50		203					



Pos	Part Number	Name	Remarks	Qty	Model
-	911 573 001 05	air conditioner evaporator housing complete with air duct not for (USA)		1	
1	901 573 021 00	air conditioner evaporator housing complete		1	
2	N 011 524 7	washer 6,4		2	
3	N 010 215 13	hexagon-head bolt M 6X15		1	
4	901 573 903 00	guide tube for picture 43		1	
5	900 076 010 02	hexagon nut M 6		5	
6	901 573 904 00	tensioning spring		4	
7-8	901 573 901 00	parts kit		1	
7	-	sealing ring		1	
8	-	rubber ply		2	
9	911 573 073 01	connection piece complete		1	
10	900 143 004 02	lens-head screw		4	
11	901 504 731 30	cover complete		1	
12	911 573 023 00	housing cover upper part complete		1	
13	901 573 906 00	fan		1	
14	901 624 901 00	electric motor		1	
15	-	see group 8/13/70 picture NR. 12			
16	911 573 323 00	engine support		1	

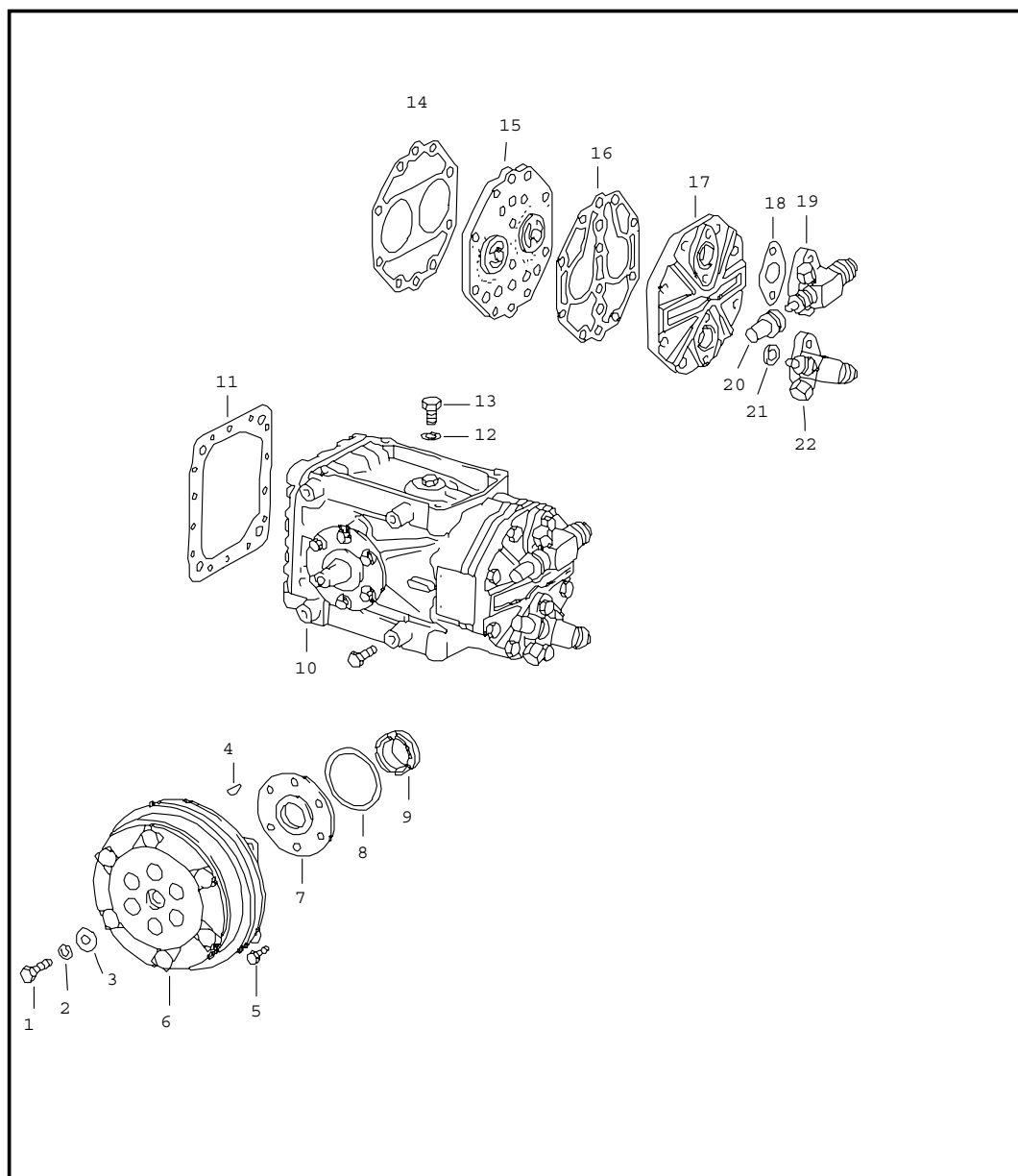
Model	Year	MG	SG	Illustration	Restrictions	Update	12:22	21.08.2006	PORSCHE	PET	PORSCHE
911	73	8	13	813-50		203					

Pos	Part Number	Name	Remarks	Qty	Model	Pos	Part Number	Name	Remarks	Qty	Model
17	901 624 903 00	clamp		4		9-40	-	see group 8/13/70 picture NR. 15			
18	901 573 907 00	evaporator complete		1							
19	901 573 915 00	expansion valve		1		41	901 573 025 00	padded cover	/L	1	
20	901 573 914 00	clip		1		42	901 573 026 00	padded cover	/R	1	
21	901 573 147 00	gasket 3/4"		1		43	911 613 919 00	temperature switch		1	
22	901 573 916 00	gasket 7/16"		1		44	901 613 122 00	knob complete		1	
23	901 573 908 00	housing lower part		1		45	901 613 117 00	blower switch		1	
24	911 572 473 00	angle		1		46	901 613 121 00	knob complete		1	
25	911 572 471 00	angle		1		47	900 067 002 02	pan-head screw M 4X35		8	
26	901 573 133 00	rubber sleeve		2		48	900 025 002 02	washer 4,3		8	
27	900 378 030 09	hexagon-head bolt M 6X20		4		49	999 090 001 02	lock nut M 4		8	
28	N 012 226 5	spring washer B 6		4		50	901 573 017 01	knee protection strip	/L	1	
29-31	-	see group 8/13/70 picture				51	901 573 018 01	knee protection strip	/R	1	
29	-	NR. 13				52	900 076 006 02	hexagon nut M 5		4	
30	-	NR. 10				53	900 151 027 02	washer 5,3		4	
31	-	NR. 14				54	901 573 511 00	air hose		1	
32	901 573 065 00	air guide housing		1		55	901 573 509 01	sealing ring		1	
33	901 573 053 01	nozzle		1		56	901 573 160 00	hose clamp		1	
34	901 573 067 00	air vent		6		57	999 507 315 02	clamping nut		4	
35	901 573 169 00	washer		12		58	901 573 167 00	spacer tube		4	
36	901 573 165 00	bearing		8		59	900 151 027 02	washer 5,3		4	
37	999 703 077 40	cap		2		60	900 015 035 02	lens-head screw BM 5X55		4	
38	901 573 912 00	tread containing asbestos 2X55X165 ALU		1		61	901 613 118 00	thermostat		1	
						62	901 573 129 00	grille		1	

Model	Year	MG	SG	Illustration	Restrictions	Update	12:22	21.08.2006	PORSCHE	PET	PORSCHE
911	73	8	13	813-50		203					

Pos	Part Number	Name	Remarks	Qty	Model	Pos	Part Number	Name	Remarks	Qty	Model
63	900 151 001 02	washer 4,3		4							
64	901 551 064 22	pedal floor board		1	COUPE						
(64)	901 551 064 42	pedal floor board		1	TARGA						
65	999 702 119 50	rubber sleeve		1							
66	N 017 121 5	safety fuse 25 A		1							
		- - - E N D - - -									

Model	Year	MG	SG	Illustration	Restrictions	Update	12:22	21.08.2006	PORSCHE	PET	PORSCHE
911	73	8	13	813-55		203					

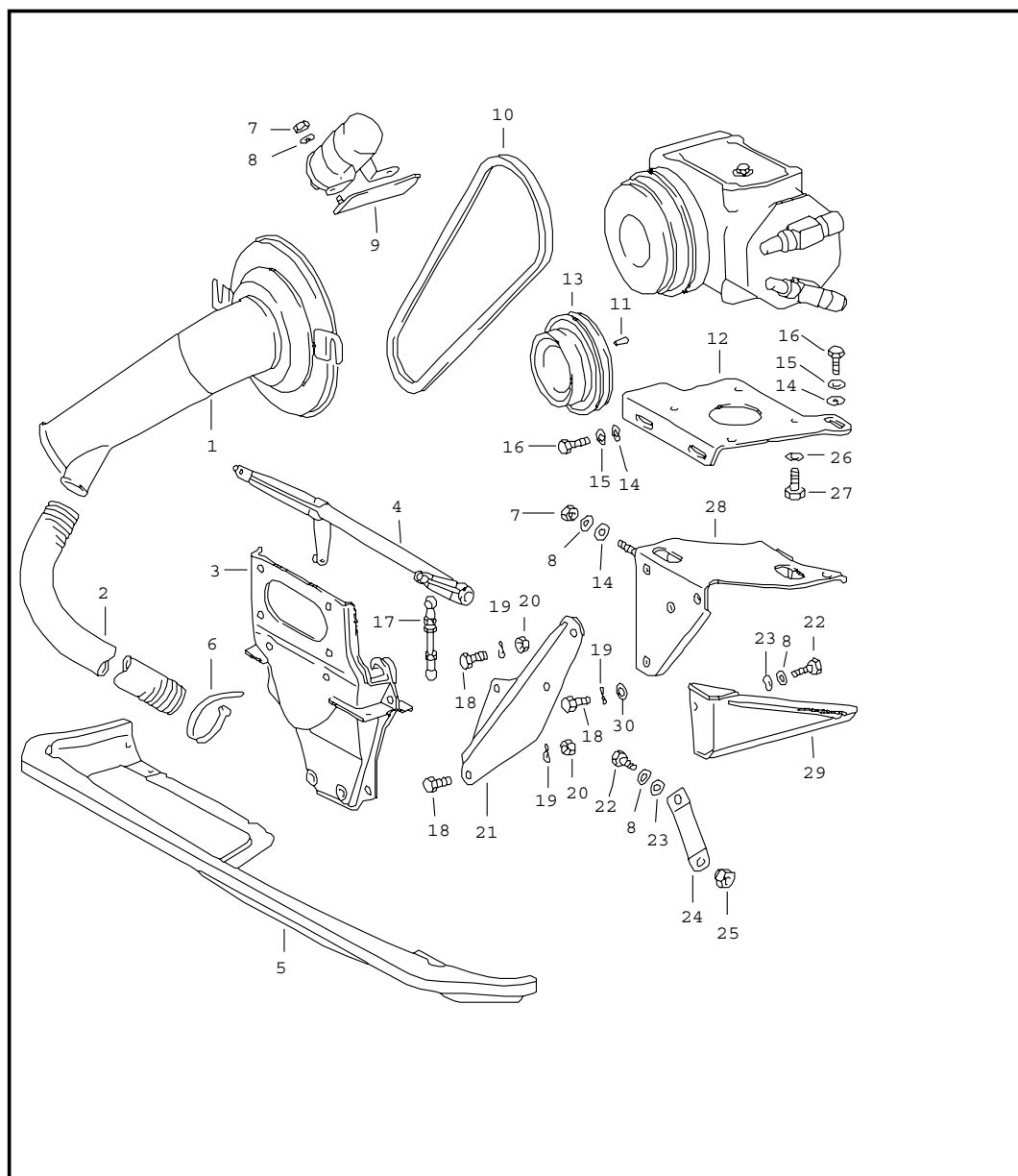


Pos	Part Number	Name	Remarks	Qty	Model
-	911 126 009 00	air conditioner compressor with clutch not for (USA)		1	
>>>	911 126 924 00	compressor with clutch		1	
>>>	911 126 924 00	parts kit comprising:		1	
1	-	hexagon-head bolt		1	
2	-	lock ring		1	
3	-	washer		1	
4	-	woodruff key		1	
5	-	hexagon-head bolt		4	
6	911 126 933 01	clutch complete		1	
>>>	911 126 925 00	parts kit	-71	1	
>>>	911 126 931 00	parts kit comprising:	72-	1	
7	-	flange		1	
8	-	gasket		1	
9	-	gasket for crankshaft		1	
10	911 126 901 00	compressor		1	
11	911 126 911 00	gasket		1	
12	911 126 913 00	o-ring		1	
13	911 126 912 00	hexagon-head bolt		1	
>>>	911 126 917 00	parts kit comprising:		1	
14	-	gasket		1	
15	-	valve plate		1	
16	-	gasket		1	

Model	Year	MG	SG	Illustration	Restrictions	Update	12:22	21.08.2006	PORSCHE	PET	PORSCHE
911	73	8	13	813-55		203					

Pos	Part Number	Name	Remarks	Qty	Model	Pos	Part Number	Name	Remarks	Qty	Model
-	911 126 918 00	parts kit comprising: picture 14,16,17		1							
17	-	cylinder head cover									
>>	911 126 916 00	parts kit comprising: picture 14,16		1							
18	911 126 919 00	sealing ring		2							
19	911 126 921 00	flange valve	/L	1							
20	911 126 923 00	cap		2							
21	911 126 919 00	sealing ring		2							
22	911 126 922 00	flange valve	/R	1							
		- - - E N D - - -									

Model	Year	MG	SG	Illustration	Restrictions	Update	12:22	21.08.2006	PORSCHE	PET	PORSCHE
911	73	8	13	813-60		203					

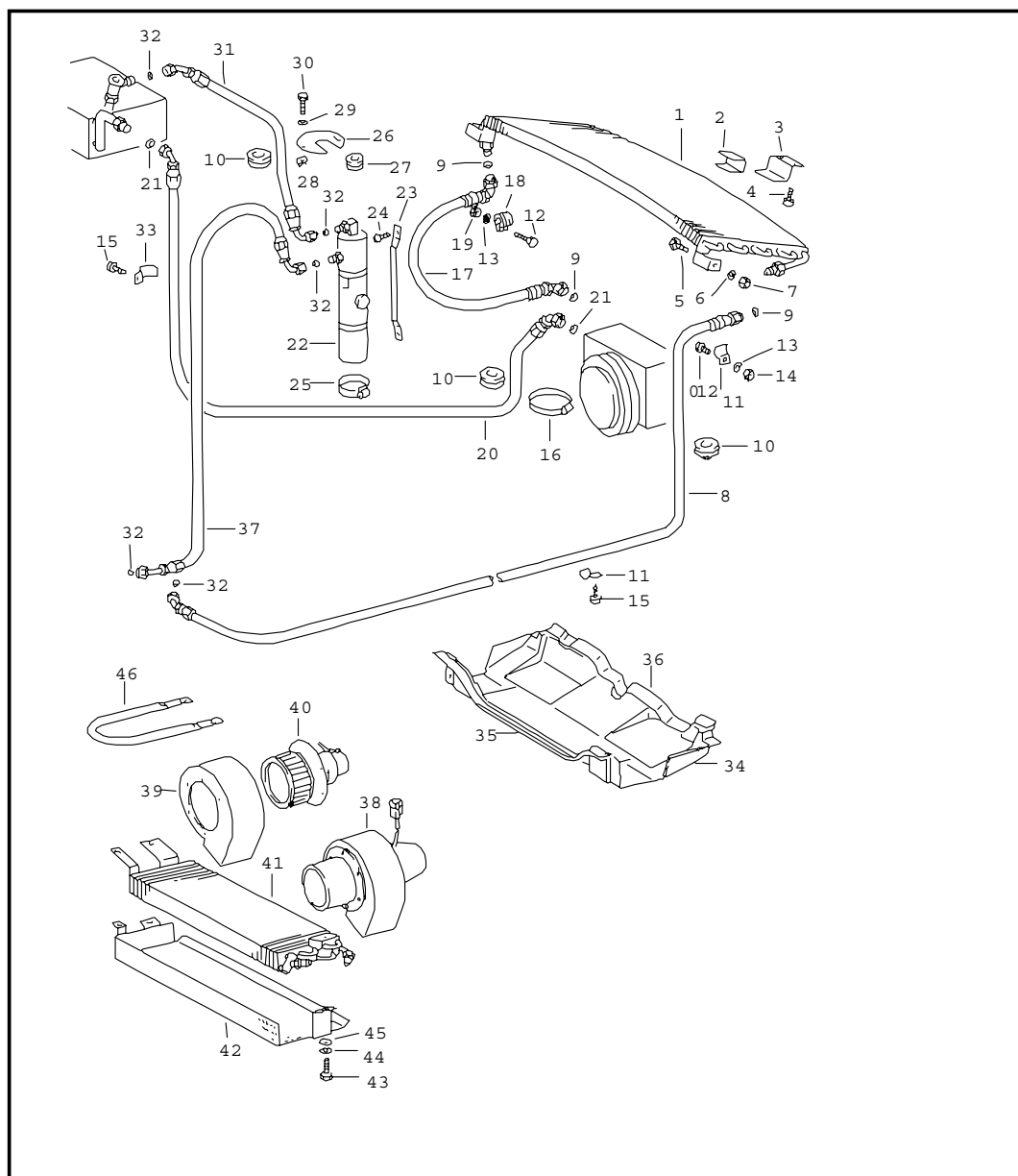


Pos	Part Number	Name	Remarks	Qty	Model
		air conditioner mount for compressor not for (USA)			
1	901 108 042 01	cover complete	-71	1	
2	901 108 292 01	hose	-71	1	
3	911 115 014 03	bracket		1	
4	911 108 071 02	reverse lever complete		1	
5	911 106 085 00	engine cover complete		1	
6	N 020 902 1	tie-wrap	-71	1	
7	900 076 025 02	hexagon nut		3	
8	N 012 241 1	spring washer		5	
9	901 126 121 01	mounting plate		1	
10	900 192 027 50	narrow v-belt		1	
11	900 012 060 00	straight pin		1	
12	911 126 117 01	compressor plate		1	
13	911 102 015 50	pulley	-71	1	
(13)	911 102 015 50	pulley	72-	1	
14	900 025 007 02	washer		3	
15	N 012 241 1	spring washer		3	
16	900 075 085 02	hexagon-head bolt		3	
17	901 108 087 02	push rod		2	
18	900 075 040 02	hexagon-head bolt		4	
19	N 012 230 1	spring washer	-71	4	
(19)	900 028 005 01	spring washer	72-	4	
20	N 011 010 6	hexagon nut		2	
21	911 126 115 00	strut		1	
22	900 075 085 02	hexagon-head bolt		2	

Model	Year	MG	SG	Illustration	Restrictions	Update	12:22	21.08.2006	PORSCHE	PET	PORSCHE
911	73	8	13	813-60		203					

Pos	Part Number	Name	Remarks	Qty	Model	Pos	Part Number	Name	Remarks	Qty	Model
23	900 025 007 02	washer		2							
24	911 126 124 01	strut		1							
25	964 126 125 20	nut		1							
26	900 028 005 01	lock ring		4							
27	900 075 085 02	hexagon-head bolt		4							
28	911 126 101 01	bracket		1							
29	930 126 116 00	angle		1							
30	900 025 008 02	washer 10,5		4							
-	900 075 014 02	hexagon-head bolt M 6X18	72-	2							
		- - - E N D - - -									

Model	Year	MG	SG	Illustration	Restrictions	Update	12:22	21.08.2006	PORSCHE	PET	PORSCHE
911	73	8	13	813-65		203					

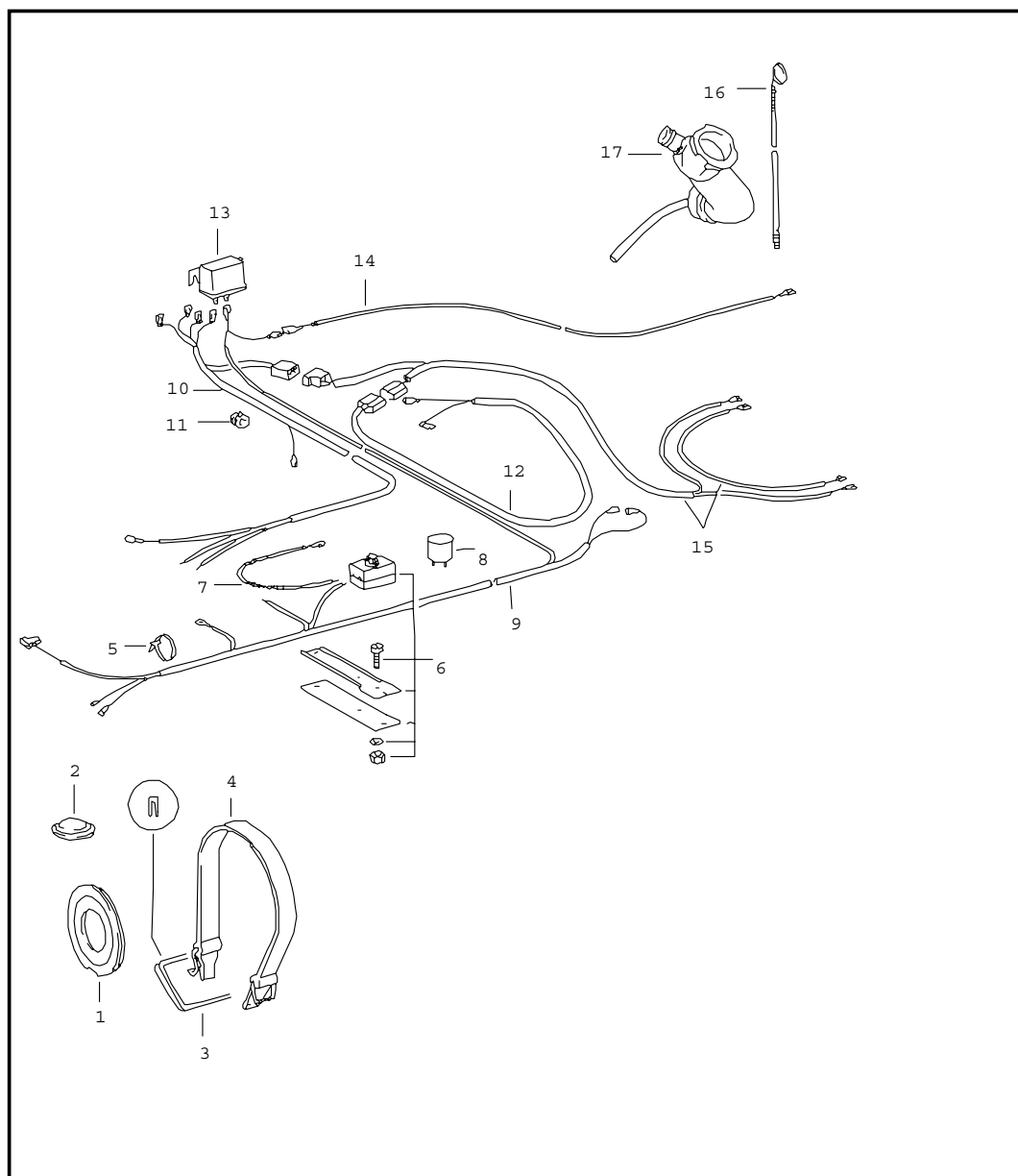


Pos	Part Number	Name	Remarks	Qty	Model
		air conditioner condenser hoses and mounting parts not for (USA)			
1	901 573 057 00	condenser complete		1	
2	901 573 138 00	moltoprene shim 6X65X85		1	
3	911 573 147 00	bracket		1	
4	N 013 961 2	tapping screw B 3,9X13		2	
5	900 075 092 02	hexagon-head bolt M 4X10		2	
6	900 027 011 01	lock ring B 4		2	
7	N 011 004 6	hexagon nut M 4		2	
8	911 573 153 00	hose NW 10		1	
9	901 573 147 00	gasket 3/4"		3	
10	901 573 143 00	rubber sleeve		3	
11	911 573 144 00	clamp		18	
12	N 010 207 6	hexagon-head bolt M 5X12		1	
13	N 012 005 3	lock ring B 5		2	
14	900 076 006 02	hexagon nut M 5		2	
15	900 187 025 02	hexagon-head tapping screw	-71	27	
(15)	900 143 025 02	oval-head sheetmetal screw B 5,5X13	72-	27	
16	999 512 348 02	hose clamp	-71	1	
17	911 573 150 00	hose NW 10		1	
18	999 511 066 02	clamp		1	

Model	Year	MG	SG	Illustration	Restrictions	Update	12:22	21.08.2006	PORSCHE	PET	PORSCHE
911	73	8	13	813-65		203					

Pos	Part Number	Name	Remarks	Qty	Model	Pos	Part Number	Name	Remarks	Qty	Model
19	900 076 027 02	hexagon nut M 5		2		40	911 624 021 00	blower motor with fan		1	
20	911 573 149 00	hose NW 13	-71	1		41	911 573 056 00	condenser front		1	
(20)	911 573 149 02	hose NW 13	72-	1		42	911 573 058 01	stone guard		1	
21	901 573 146 00	gasket 7/8"		2		43	N 010 215 13	hexagon-head bolt M 6X15		3	
22	901 573 139 00	fluid tank	-71	1		44	N 012 007 2	lock ring B 6		3	
(22)	911 573 139 00	fluid tank	72-	1		45	N 011 524 7	washer 6,4		3	
23	901 573 140 00	holder		1		46	911 501 530 01	towing lug	-71	1	
24	900 143 007 02	oval-head sheetmetal screw 4,2X13		2		(46)	911 501 530 01	towing lug	72-	1	
25	901 573 141 00	hose clamp		2		-	N 040 249 2	screw M 10X40	72-	3	
26	901 573 155 00	support		1		-	911 505 181 00	protection for condenser	72-	1	
27	901 573 142 00	rubber sleeve		1		-	911 505 182 00	protection for condenser	72-	1	
28	999 507 315 02	speed nut		1							
29	N 012 005 3	lock ring B 5		1							
30	N 010 207 6	hexagon-head bolt M 5X12		1							
31	901 573 152 00	hose NW 10		1							
32	901 573 148 00	gasket 5/8"		5							
33	911 573 145 00	clamp		13							
34	911 341 161 01	protective plate		1							
35	901 341 165 00	rubber pad		1							
36	901 341 167 00	rubber pad		1							
37	911 573 154 00	hose NW 8		1							
38	911 624 017 00	blower complete		1							
39	911 624 022 00	housing		1							
								- - - E N D - - -			

Model	Year	MG	SG	Illustration	Restrictions	Update	12:23	21.08.2006	PORSCHE	PET	PORSCHE
911	73	8	13	813-70		203					



Pos	Part Number	Name	Remarks	Qty	Model
		air conditioner electric equipment accessories not for (USA)			
1	901 572 913 01	lock ring		1	
2	914 559 251 10	plug		1	
3	901 573 509 00	gasket		1	
4	901 611 025 20	retaining strap		2	
5	999 513 008 40	tie-wrap		4	
6	901 612 085 04	fuse box mounting parts comprising:		1	
-	911 573 158 00	support		1	
-	900 189 005 02	lens-head screw		2	
-	900 025 002 02	washer		2	
-	N 010 205 6	hexagon-head bolt		2	
-	911 573 509 00	rubber 50X50X1,5		1	
7	911 612 082 00	wiring harness NR. 82		1	
8	911 615 109 01	standard type relay		1	
9	911 612 080 00	wiring harness NR. 80		1	
10	911 612 078 00	wiring harness NR. 78		1	
11	999 702 119 50	rubber sleeve		1	
12	901 612 084 00	wiring harness NR. 28		1	
13	901 615 102 00	relay		1	
14	911 612 079 00	wiring harness NR. 79		1	
15	901 612 902 00	wiring harness	-71	1	
15	901 612 086 02	wiring harness NR. 29	72-	1	
16	911 107 076 00	oil level dipstick	-71	1	

Model	Year	MG	SG	Illustration	Restrictions	Update	12:23	21.08.2006	PORSCHE	PET	PORSCHE
911	73	8	13	813-70		203					

Pos	Part Number	Name	Remarks	Qty	Model	Pos	Part Number	Name	Remarks	Qty	Model
17	911 107 075 00	filler neck for oil tank - - - E N D - - -	-71	1							

Model	Year	MG	SG	Illustration	Restrictions	Update	12:23	21.08.2006
911	73	8	98	898-00		203		

Pos	Part Number	Name	Remarks	Qty	Model
		air conditioner complete and installation set for air conditioner			
>>	> 911 573 001 01	air conditioner complete	/LL -71 M	1	COUPE
>>	> 911 573 001 41	air conditioner complete single parts see technical information	/LL -71 M	1	TARGA
-	911 505 037 01	rubber buffer for bumper horn		2	
-	900 076 010 02	hexagon nut M 6		4	
-	900 076 025 02	hexagon nut M 8		2	
-	999 911 182 40	pipng		4	
-	911 505 141 00	protection for condenser front	/L	1	
-	911 505 142 00	protection for condenser front	/R	1	
-	900 186 002 02	pan-head screw M 8X15		2	
-	900 351 001 01	disc with spherical hole C 8,4		2	
-	900 027 015 02	lock ring B 8		2	
-	901 504 731 30	cover for tunnel		1	
-	911 501 093 00	air baffle for condenser front		1	
-	911 501 098 00	support for water reservoir windscreen washer system		1	
		- - - E N D - - -			

Model	Year	MG	SG	Illustration	Restrictions	Update	12:23	21.08.2006
911	73	8	98	898-05		203		

Pos	Part Number	Name	Remarks	Qty	Model
>>	> 901 572 930 02	installation set for subsequent installat. for heat. and ventilation unit			
		installation set for subsequent installat. for heat. and ventilation unit comprising:	/LL	1	
-	901 572 501 32	heat. and ventilation unit without accessories		1	
-	901 572 511 32	electric motor with fuel pump complete		1	
-	901 572 513 31	pump		1	
-	901 572 066 00	air hose with connection piece	/R	1	
-	901 572 065 00	air hose with connection piece	/L	1	
-	999 512 348 02	hose clamp		4	
-	901 572 647 00	air hose	/L	1	
-	901 572 648 00	air hose	/R	1	
-	901 572 054 00	distributing piece		1	
-	901 572 058 00	connecting piece		1	
-	901 572 527 00	sealing washer		1	
-	900 075 219 02	hexagon-head bolt M 5X10		3	
-	900 025 003 02	washer 5,3		3	
-	901 572 526 00	gasket		1	
-	901 572 521 00	flap		1	
-	900 055 019 20	rivet 3X6		3	
-	999 512 151 02	hose clamp		2	
-	901 572 649 00	air hose \$ 70		1	

Model	Year	MG	SG	Illustration	Restrictions	Update	12:23	21.08.2006
911	73	8	98	898-05		203		

Pos	Part Number	Name	Remarks	Qty	Model
-	901 501 392 20	support for optional heating		1	
-	900 151 008 02	washer B 8,4		1	
-	900 027 005 01	lock ring A 8		1	
-	900 076 025 02	hexagon nut M 8		1	
-	900 076 010 02	hexagon nut M 6		5	
-	900 115 006 01	serrated lock washer A 6,4		5	
-	900 151 006 09	washer A 6,4		5	
-	901 572 519 30	spacer sleeve		5	
-	999 702 049 50	rubber sleeve		5	
-	901 612 053 02	ignition lead		1	
-	901 572 591 30	gasket		1	
-	901 572 593 30	strainer for intake manifold		1	
-	999 512 046 02	hose clamp		1	
-	901 572 627 31	exhaust pipe		1	
-	901 572 619 30	bush		2	
-	999 512 125 02	hose clamp		2	
-	901 572 061 30	muffler		1	
-	901 572 602 32	exhaust line		1	
-	901 572 609 30	bush		4	
-	999 512 056 02	hose clamp		4	
-	999 180 029 50	fuel hose 2 M		*	
-	901 572 515 30	bracket		1	
-	900 075 014 02	hexagon-head bolt M 6X18		5	
-	901 615 109 30	electronic rpm limiter		1	

Model	Year	MG	SG	Illustration	Restrictions	Update	12:23	21.08.2006
911	73	8	98	898-05		203		

Pos	Part Number	Name	Remarks	Qty	Model
-	900 014 079 02	pan-head screw AM 3X10		2	
-	900 115 007 01	serrated lock washer A 3,2		2	
-	900 076 001 02	hexagon nut M 3		2	
-	901 501 489 00	clip for metering		1	
-	901 501 483 00	support for metering		1	
-	N 043 890 1	tapping screw B 4,2X9,5		4	
-	900 067 011 02	pan-head screw M 6X20		1	
-	N 012 007 2	lock ring A 6		1	
-	999 180 030 50	fuel hose 1,2 M		*	
-	999 512 055 02	hose clamp		2	
-	999 702 027 50	rubber sleeve		1	
-	901 617 010 30	reconstruction set		1	
-	900 076 027 02	hexagon nut M 5		2	
-	900 115 001 01	serrated lock washer A 5,3		2	
-	901 613 631 00	switch for optional heating		1	
-	901 612 053 00	wiring harness for heater - WEBASTO -		1	
-	901 613 216 50	rose chrome		1	
-	901 613 261 20	rose plastic material		1	
-	901 201 023 04	threaded joint		1	
-	900 123 011 30	sealing ring A 22X27 AL		1	

PORSCHE

PET

PORSCHE

Model	Year	MG	SG	Illustration	Restrictions	Update	12:23	21.08.2006
911	73	8	98	898-05		203		

Pos	Part Number	Name	Remarks	Qty	Model
-	901 504 731 30	cover for tunnel		1	
-	901 504 491 30	gasket for cover		1	
-	901 504 431 30	mat containing asbestos for 901 504 043 02		1	
-	901 504 439 00	washer		2	
- - - E N D - - -					

Model	Year	MG	SG	Illustration	Restrictions	Update	12:23	21.08.2006
911	73	8	98	898-10		203		

Pos	Part Number	Name	Remarks	Qty	Model
>>	> 911 613 025 01	lock cylinder set of locks - EUROPA - steering lock without buzzer contact for subsequent installat. comprising:	/LL	1	COUPE
-	911 531 061 00	outer door handle complete	/L	1	
-	911 531 062 00	outer door handle complete	/R	1	
-	914 531 637 10	main key		2	
-	914 531 903 11	blank key		2	
-	911 613 011 05	steering lock without buzzer contact		1	
-	914 552 905 10	glove compartment lock		1	
>>	> 911 613 025 41	set of locks - EUROPA - steering lock without buzzer contact for subsequent installat. comprising:	/LL	1	TARGA
-	911 531 061 00	outer door handle complete	/L	1	
-	911 531 062 00	outer door handle complete	/R	1	
-	914 531 637 10	main key		2	
-	914 531 903 11	blank key		2	
-	914 552 905 10	glove compartment lock		1	
-	911 511 903 00	lock for lid-release cable		1	
>>	> 911 613 026 01	set of locks - USA - steering lock with buzzer contact for subsequent installat. comprising:	/LL	1	911 T/E/S COUPE
-	911 531 061 00	outer door handle complete	/L	1	

PORSCHÉ

PET

PORSCHÉ

Model	Year	MG	SG	Illustration	Restrictions	Update	12:23	21.08.2006
911	73	8	98	898-10		203		

Pos	Part Number	Name	Remarks	Qty	Model
-	911 531 062 00	outer door handle complete	/R	1	
-	914 531 637 10	main key		2	
-	914 531 903 11	blank key		2	
-	911 613 011 00	steering lock with buzzer contact		1	
-	914 552 905 10	glove compartment lock		1	
>>	> 911 613 026 41	set of locks - USA - steering lock with buzzer contact for subsequent installat. comprising:		1	TARGA
-	911 531 061 00	outer door handle complete	/L	1	
-	911 531 062 00	outer door handle complete	/R	1	
-	914 531 637 10	main key		1	
-	914 531 903 11	blank key		1	
-	911 613 011 00	ignition starter switch with buzzer contact		1	
-	914 552 905 10	glove compartment lock		1	
-	911 511 903 00	lock for lid-release cable		1	
-	914 511 070 10	lock for lid-release cable		1	
>>	> 911 531 910 00	set of locks	71-	1	COUPE
-	911 531 061 00	outer door handle	/L	1	
-	911 531 062 00	outer door handle	/R	1	
-	914 531 637 10	main key		2	
-	914 531 903 11	blank key		2	
-	911 613 011 06	steering lock		1	
-	911 552 059 01	glove compartment lock		1	
>>	> 911 531 911 00	set of locks	71-	1	TARGA

PORSCHE

PET

PORSCHE

Model	Year	MG	SG	Illustration	Restrictions	Update	12:23	21.08.2006
911	73	8	98	898-10		203		

Pos	Part Number	Name	Remarks	Qty	Model
-	911 531 061 00	outer door handle	/L	1	
-	911 531 062 00	outer door handle	/R	1	
-	914 531 637 10	main key		2	
-	914 531 903 11	blank key		2	
-	911 613 011 06	steering lock		1	
-	911 552 059 01	glove compartment lock		1	
-	911 511 903 00	lock		1	
- - - E N D - - -					

Model	Year	MG	SG	Illustration	Restrictions	Update	12:23	21.08.2006
911	73	8	98	898-15		203		

Pos	Part Number	Name	Remarks	Qty	Model
>>	> 901 505 904 00	power window rear embellisher rear embellisher 1 set for subsequent installat. picture 29-35 see group 8/02/05 comprising:	69-	1	
(29)	901 505 425 21	rear embellisher centre		1	
(29)	901 505 426 21	rear embellisher right		1	
(29)	901 505 423 20	rear embellisher left		1	
30	N 015 429 2	speed nut B 4,2		9	
31	900 025 002 02	washer 4,3		9	
32	900 143 031 02	oval-head sheetmetal screw B 4,2X9,5		9	
33	900 146 016 02	oval-head screw AM 3X6		2	
34	900 076 001 02	hexagon nut M 4		2	
35	900 151 019 02	washer B 3,2		2	
>>	> 911 542 906 00	power window 1 set for subsequent installat. comprising:	/LL -70	1	COUPE
-	911 542 003 25	power windows	/L	1	
-	911 542 004 25	power windows	/R	1	
-	911 612 020 00	wiring harness NR.20		1	
-	911 612 021 00	wiring harness NR.21		2	
-	911 612 048 00	wiring harness NR.48		3	
-	999 702 026 50	rubber sleeve		2	

Model	Year	MG	SG	Illustration	Restrictions	Update	12:23	21.08.2006
911	73	8	98	898-15		203		

Pos	Part Number	Name	Remarks	Qty	Model
-	901 531 083 00	bracket for cable holder		2	
-	900 186 102 02	hexagon socket head bolt M 6X12		6	
-	901 612 898 00	cable connection		2	
-	N 013 961 2	tapping screw 3,9X13		4	
-	901 542 063 00	stop		2	
-	900 186 102 02	hexagon socket head bolt M 5X10		4	
-	999 513 003 40	hose clamp		2	
-	901 542 417 00	cable holder		4	
-	N 010 210 13	hexagon-head bolt M 6X10		4	
-	911 613 621 00	switch		3	
-	901 555 027 00	door panel	/L	1	
-	901 555 028 00	door panel	/R	1	
-	901 555 027 10	door panel	/RL/L	1	911T/E TARGA
-	901 555 028 10	door panel	/RL/R	1	911T/E TARGA
-	911 722 091 00	belt for spare wheel mount	/LL	1	911 S
>>	> 911 542 907 00	power window	/LL -72 M	1	
>>	> 911 542 908 00	power window 1 set for subsequent installat. comprising:	/RL -72 M	1	
-	911 542 003 25	power windows	/L	1	
-	911 542 004 25	power windows	/R	1	
-	N 010 210 13	hexagon-head bolt M 6X10		4	
-	901 542 417 00	cable holder		4	
-	901 542 063 00	stop		2	
-	900 186 102 02	hexagon socket head bolt M 5X10		4	

Model	Year	MG	SG	Illustration	Restrictions	Update	12:23	21.08.2006
911	73	8	98	898-15		203		

Pos	Part Number	Name	Remarks	Qty	Model
-	901 531 083 00	bracket		2	
-	900 186 122 02	pan-head screw M 6X12		6	
-	901 612 062 00	wiring harness switch		3	
-	901 612 071 03	wiring harness door		2	
-	901 612 071 02	wiring harness power windows	/LL	1	
-	901 612 097 00	wiring harness power windows	/RL	1	
-	901 612 898 00	cable connection		2	
-	900 143 007 02	oval-head screw B 4,2X13		4	
-	999 513 002 40	tie-wrap		2	
-	901 612 835 01	connecting rail		1	
-	901 613 621 00	switch		3	
-	911 613 637 00	seal switch		1	
-	911 613 638 00	seal switch		1	
-	911 613 623 00	grommet		3	
-	999 702 026 50	grommet		2	
>>	> 911 542 909 00	power window	/LL 73-	1	
>>	> 911 542 910 00	power window 1 set for subsequent installat. comprising:	/RL 73- M	1	
-	911 542 003 26	power windows with engine	/L	1	
-	911 542 004 26	power windows with engine	/R	1	
-	901 542 063 00	stop		2	
-	900 186 102 02	hexagon socket head bolt M 5X10		4	
-	901 531 083 00	bracket		2	

Model	Year	MG	SG	Illustration	Restrictions	Update	12:23	21.08.2006
911	73	8	98	898-15		203		

Pos	Part Number	Name	Remarks	Qty	Model
-	900 186 122 02	hexagon socket head bolt M 6X12		6	
-	901 612 071 02	wiring harness door		1	
-	901 612 898 00	cable connection		2	
-	900 143 007 02	oval-head sheetmetal screw B 4,2X13		4	
-	901 612 835 01	connecting rail		1	
-	911 613 621 01	switch		3	
-	911 613 637 00	seal	/L	1	
-	911 613 638 00	seal	/R	1	
-	911 613 623 00	grommet		3	
-	999 702 026 50	grommet		2	
-	911 612 101 00	wiring harness switch		1	
-	911 612 102 00	wiring harness switch		1	
-	911 612 103 00	wiring harness switch		1	
-	911 612 104 00	wiring harness power windows door panel left and right see group 8/07/....		2	
- - - E N D - - -					

Model	Year	MG	SG	Illustration	Restrictions	Update	12:24	21.08.2006
911	73	8	98	898-25		203		

Pos	Part Number	Name	Remarks	Qty	Model
>>	> 901 505 920 20	rubber buffer for bumper horn for subsequent installat. 1 set rubber buffer for bumper horn for subsequent installat. comprising:		1	
-	901 505 901 21	rubber buffer	/V	2	
-	901 505 903 21	rubber buffer	/H	2	
-	900 076 010 02	hexagon nut M6		10	
- - - E N D - - -					

Model	Year	MG	SG	Illustration	Restrictions	Update	12:24	21.08.2006
911	73	8	98	898-30		203		

Pos	Part Number	Name	Remarks	Qty	Model
		seat belt installation set with automatic for subsequent installat.			
>>	> 901 803 901 00	seat belt	/L -71	1	COUPE
>>	> 911 803 905 01	seat belt three-point seat belt with seat-belt buckle for (D) comprising:	/L 72-	1	COUPE
-	901 803 017 21	three-point seat belt	/L -71	1	
-	911 803 029 00	three-point seat belt	/L 72-	1	
-	911 555 069 01	cover	/L -71	1	
-	911 555 069 01	cover	/L 72-	1	
-	911 555 613 00	support	/L -71	1	
-	911 555 613 00	support	/L 72-	1	
-	901 555 615 00	rose		1	
-	901 555 769 00	desk pad		1	
-	900 145 006 02	rais. counters. h. tap. s. B 3,5X19		2	
-	900 146 042 00	oval-head sheetmetal screw	-71	1	
-	900 145 059 00	oval-head sheetmetal screw B 3,5X25	72-	1	
-	999 591 102 12	protection washer		1	
>>	> 901 803 902 00	seat belt	/R -71	1	COUPE
>>	> 911 803 906 01	seat belt three-point seat belt with seat-belt buckle for (D) comprising:	/R 72-	1	COUPE
-	901 803 018 21	three-point seat belt	/R -71	1	
-	911 803 030 00	three-point seat belt	/R 72-	1	
-	911 555 070 01	cover	/R -71	1	
-	911 555 070 01	cover	/R 72-	1	
-	911 555 613 00	support	/R -71	1	

Model	Year	MG	SG	Illustration	Restrictions	Update	12:24	21.08.2006
911	73	8	98	898-30		203		

Pos	Part Number	Name	Remarks	Qty	Model
-	911 555 613 00	support	/R 72-	1	
-	901 555 615 00	rose		1	
-	901 555 769 00	desk pad		1	
-	900 145 006 02	rais. counters. h. tap. s. B 3,5X19		2	
-	900 145 042 00	oval-head sheetmetal screw	-71	1	
-	900 145 059 00	oval-head sheetmetal screw B 3,5X25	72-	1	
-	999 591 102 12	protection washer		1	
>>	> 901 803 901 40	seat belt	/LL/L-71	1	TARGA
>>	> 911 803 911 00	seat belt three-point seat belt without seat-belt buckle for (D) comprising:	/LL/L72-	1	TARGA
-	901 803 017 43	three-point seat belt	/L -71	1	
-	911 803 053 00	three-point seat belt	/L 72-	1	
-	901 803 139 00	rose		1	
-	901 803 135 00	suspension		1	
-	999 507 011 01	speed nut		1	
-	900 143 116 07	oval-head sheetmetal screw	-71	1	
-	900 143 064 07	tapping screw B 3,5X25	72-	1	
-	N 013 958 7	tapping screw B 3,5X13		2	
-	N 011 663 1	washer 3,7		2	
-	999 025 058 01	washer		1	
>>	> 901 803 902 40	seat belt	/LL/R-71	1	TARGA
>>	> 911 803 912 00	seat belt three-point seat belt without seat-belt buckle for (D) comprising:	/LL/R72-	1	TARGA
-	901 803 018 43	three-point seat belt	/R -71	1	

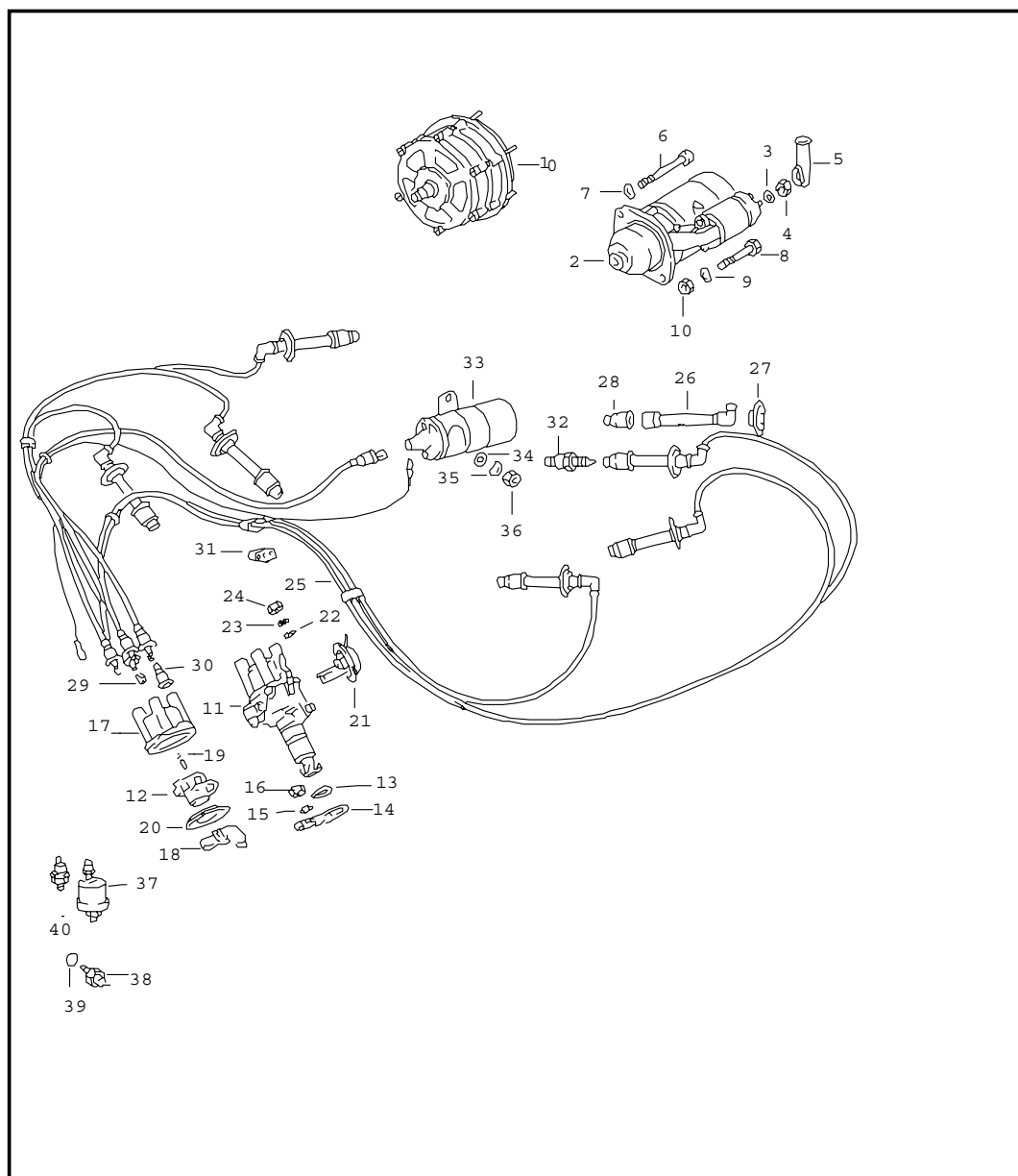
Model	Year	MG	SG	Illustration	Restrictions	Update	12:24	21.08.2006
911	73	8	98	898-30		203		

Pos	Part Number	Name	Remarks	Qty	Model
-	911 803 054 00	three-point seat belt	/R 72-	1	
-	901 803 139 00	rose		1	
-	901 803 135 00	suspension		1	
-	999 507 011 01	speed nut		1	
-	900 143 116 07	oval-head sheetmetal screw	-71	1	
-	900 143 064 07	tapping screw B 3,5X25	72-	1	
-	N 013 958 7	tapping screw B 3,5X13		2	
-	N 011 663 1	washer 3,7		2	
-	999 025 058 01	washer		1	
>>	> 911 803 045 00	seat belt	/LL/L72-	1	CARRERA 2.7
>>	> 911 803 046 00	seat belt three-point seat belt for rally car without automatic with seat-belt buckle for (D)(I)(A) comprising:	/LL/R72-	1	CARRERA 2.7 COUPE
-	914 803 013 10	three-point seat belt	/L	1	
-	911 803 046 00	seat belt	/R	1	
-	111 857 771 A	washer		6	
-	111 857 719 C	cap		1	
-	901 803 119 20	hexagon-head bolt		2	
-	901 803 119 22	hexagon-head bolt		1	
-	999 025 113 02	washer		3	
-	901 803 135 00	suspension		1	
-	900 143 004 00	oval-head sheetmetal screw B 3,5X19		1	
- - - E N D - - -					

Model	Year	MG	SG	Illustration	Restrictions	Update	12:24	21.08.2006
911	73	8	98	898-35		203		

Pos	Part Number	Name	Remarks	Qty	Model
>>	> 911 541 901 00	windscreen windscreen electric heatable green not for (USA),(S) + PUERTO RICO for subsequent installat. comprising:		1	
-	911 541 101 04	windscreen heated green		1	
-	901 613 045 00	control switch		1	
-	911 615 109 01	standard type relay		1	
-	999 652 122 10	multiple plug connector		1	
-	911 617 106 00	diode rear window		1	
-	901 612 030 07	wiring harness rear window		1	
-	911 612 056 00	wiring harness NR.56		1	
-	911 612 814 00	fuse holder		1	
-	911 612 057 00	cable NR.57		1	
-	999 702 011 50	rubber sleeve		2	
-	999 652 246 10	cable shoe		1	
-	999 652 128 40	insulating sleeve		1	
-	999 652 106 02	flat receptacle		1	
		- - - E N D - - -			

Model	Year	MG	SG	Illustration	Restrictions	Update	12:24	21.08.2006	PORSCHE	PET	PORSCHE
911	73	9	01	901-00		203					



Pos	Part Number	Name	Remarks	Qty	Model
		engine electric. equipment			
1	911 603 118 00	generator - BOSCH -		1	
(1)	911 603 120 00	generator - MOTOROLA - see group 9/01/10		1	
-	900 076 010 02	hexagon nut M 6		6	
-	900 028 008 01	spring washer B 6		6	
-	901 612 110 00	ground strap engine generator		1	
2	923 604 101 00	starter	-71	1	
(2)	916 604 101 00	starter 1,5 PS not for SPM 905/21	-72	1	911 T/E/S 911 T-V
(2)	923 604 101 00	starter 0,8 PS	-72	1	SPM
(2)	916 604 101 00	starter 1,5 PS	73	1	CARRERA 2.7
-	999 652 315 02	flat plug	73	1	CARRERA 2.7
(2)	923 604 101 00	starter 0,8 PS		1	911 T/E/S 911 T-V
3	900 027 016 02	lock ring B 10		1	
-	900 031 005 02	washer 10,5 not for	70	3	SPM
-	999 523 103 01	lock washer M 10 not for	70	3	SPM
4	900 157 002 02	hexagon nut		2	
5	999 659 006 50	protection cap		1	
6	900 067 074 02	pan-head screw M 10 X 110 not for	-71	1	SPM

Model	Year	MG	SG	Illustration	Restrictions	Update	12:24	21.08.2006	PORSCHE	PET	PORSCHE
911	73	9	01	901-00		203					

Pos	Part Number	Name	Remarks	Qty	Model	Pos	Part Number	Name	Remarks	Qty	Model
(6)	900 067 078 02	pan-head screw M 10 X 150	-71	1	SPM	(11)	911 602 027 03	distributor with vacuum unit	72-	1	911 E
7	901 604 581 00	spring washer	-71	1		(11)	911 602 031 01	distributor - BOSCH - with vacuum unit	72-	1	911 S
8	900 155 023 02	hexagon-head bolt M 10 X 72 not for	-70	1	SPM	(11)	911 602 031 05	distributor with vacuum unit	72-	1	911 S
(8)	900 155 018 02	hexagon-head bolt M 10 X 110	-70	1	SPM	(11)	911 602 031 06	distributor	72-	1	CARRERA 2.7
9	N 012 242 3	spring washer B 10 X 18	-71	2		(11)	911 602 031 FX	distributor with vacuum unit	72-	1	CARRERA 2.7
10	900 157 002 02	hexagon nut M 10	-71	2		(11)	911 602 023 01	distributor - MARELLI - with vacuum unit	72-	1	911 T 911 T-V
11	911 602 022 00	distributor	-70	1	911 S	(11)	911 602 028 01	distributor - MARELLI - with vacuum unit	72-	1	911 E
11	911 602 022 X	distributor - MARELLI - see group 9/01/25	-70 -71	1	911 S 911 T SPM	(11)	911 602 032 01	distributor - MARELLI - with vacuum unit	72-	1	911 S
(11)	901 602 022 00	distributor - MARELLI - see group 9/01/25	-70	1	911 T/S SPM	(11)	911 602 032 01	distributor - MARELLI - with vacuum unit	72-	1	911 S
(11)	901 602 027 00	distributor - BOSCH -	-71	1	911 E	(11)	911 602 032 01	distributor - MARELLI - with vacuum unit	72-	1	911 S
(11)	901 602 031 00	distributor - BOSCH - see group 9/01/25	-71	1	911 S	-	999 619 121 00	screened connector for distributor		7	911 T (F)
(11)	901 602 021 05	distributor - BOSCH - see group 9/01/25	-71	1	911 T	-	999 659 002 50	rubber cap		7	(F)
(11)	911 602 021 01	distributor - BOSCH - with vacuum unit	72-	1	911 T 911 T-V	-	901 612 107 00	ground strap		2	(F)
(11)	911 602 021 01	distributor	72-	1	911 T	12	901 602 928 01	rotor - MARELLI -	-70 -71	1	911 S 911 T SPM
(11)	911 602 021 CX	distributor with vacuum unit	72-	1	911 T	(12)	911 602 928 00	rotor - BOSCH -	-70	1	911 T 911 S SPM
(11)	911 602 027 01	distributor - BOSCH - with vacuum unit	72-	1	911 E	(12)	911 602 925 00	rotor - BOSCH -		1	911 E SPM
(11)	911 602 027 01	distributor - BOSCH - with vacuum unit	72-	1	911 E	(12)	911 602 929 00	rotor - MARELLI -		1	911 S
(11)	911 602 027 01	distributor - BOSCH - with vacuum unit	72-	1	911 E	(12)	911 602 928 00	rotor	73	1	911 T

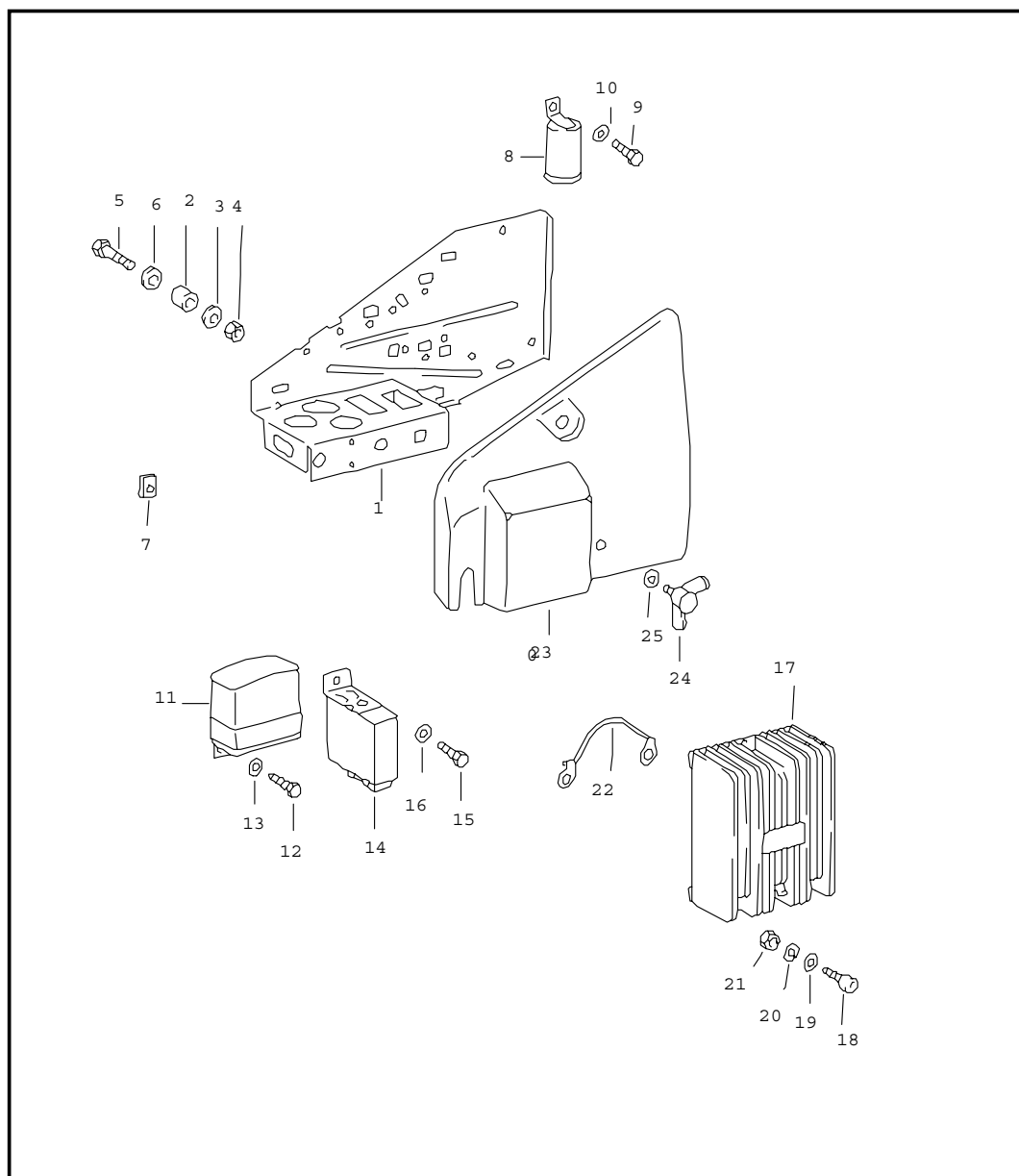
Model	Year	MG	SG	Illustration	Restrictions	Update	12:24	21.08.2006	PORSCHE	PET	PORSCHE
911	73	9	01	901-00		203					

Pos	Part Number	Name	Remarks	Qty	Model	Pos	Part Number	Name	Remarks	Qty	Model
(12)	911 602 925 00	rotor	73	1	911 E	20	901 602 927 00	dust cover - bosch -	-72	1	
(12)	911 602 929 00	rotor	73	1	911 S CARRERA 2.7	(20)	911 602 947 00	dust cover	73-	1	
(12)	911 602 104 00	rotor - MARELLI -	72-	1	911 T-V 911 T	21	901 602 955 00	vacuum unit not for	72-	1	CARRERA 2.7
(12)	911 602 105 00	rotor - MARELLI -	72-	1	911 T/E	(21)	911 602 965 00	vacuum unit	73-	1	CARRERA 2.7
(12)	911 602 106 00	rotor - MARELLI -	72-	1	911 S	(21)	911 602 932 00	vacuum unit not for	73-	1	CARRERA 2.7
13	999 701 101 50	sealing ring	-71	1		(21)	911 602 931 00	vacuum unit	73-	1	CARRERA 2.7
(13)	911 602 102 01	sealing ring	72-	1		22	900 025 007 02	washer B 8.4	72-	1	
14	999 511 046 02	clamping bow	-71	1		23	N 012 241 8	spring washer B 8 X 15	72-	1	
15	N 012 241 1	spring washer B 8 X 15	-71	1		24	900 076 025 02	hexagon nut M 8		1	
16	900 076 025 02	hexagon nut M 8	-71	1		25	911 609 061 00	ignition lead without spark plug socket		1	
17	901 602 963 00	distributor cap - bosch -	-71	1		-	900 612 001 00	ignition lead 5 METER		*	
(17)	901 602 953 00	distributor cap - MARELLI -	70 -71	1	911 S 911 T	26	901 609 309 00	screened connector		6	
(17)	911 602 933 00	distributor cap - bosch -	72-	1		27	111 905 449 A	cap	-70	6	
(17)	911 602 933 00	distributor cap - bosch -	72-	1		28	999 659 034 40	rubber cap	-70	6	
18	616 602 226 02	contact breaker point - bosch -	-71	1		29	911 609 510 00	cable plug		8	
(18)	911 602 960 00	contact breaker point - MARELLI - see group 9/01/25	70 -71	1	911 S 911 T	30	999 659 001 40	protective cap		8	
(18)	901 602 960 00	contact breaker point - bosch -	72-	1		31	901 609 591 00	cable holder		3	
(18)	911 602 936 00	contact breaker point - bosch -	72-	1		32	999 170 022 91	spark plug - bosch - for ignition system - BHKZ-		6	911 E/S
19	901 602 952 00	wiper contact - MARELLI -	-71	1	911 T	(32)	999 170 111 90	spark plug - bosch -		6	911 T
(19)	930 602 905 00	wiper contact - bosch -		1		(32)	999 170 165 90	spark plug - beru -		6	911 T
						(32)	999 170 010 91	spark plug - beru -	-71	6	911 T

Model	Year	MG	SG	Illustration	Restrictions	Update	12:24	21.08.2006	PORSCHE	PET	PORSCHE
911	73	9	01	901-00		203					

Pos	Part Number	Name	Remarks	Qty	Model	Pos	Part Number	Name	Remarks	Qty	Model
(32)	999 170 010 90	spark plug - bosch - for engine 130 PS	-71	6	911 T						
(32)	999 170 017 90	spark plug - beru -	72-	6	911 T-K 911 T						
(32)	999 170 014 90	spark plug - bosch -	72-	6	911 E/S CARRERA 2.7						
(32)	999 170 044 90	spark plug - beru -	72-	6	911 E/S CARRERA 2.7						
33	901 602 502 00	ignition transformer	-71	1							
(33)	901 602 502 00	ignition transformer only wiring harness 911.612.050.00 use	72-	1							
(33)	911 602 503 00	ignition transformer only wiring harness 911.612.050.01 use	72-	1							
34	900 025 007 02	washer 8,4		2							
35	N 012 241 8	spring washer B 8 X 15		2							
36	900 076 025 02	hexagon nut M 8		2							
37	-	pressure transmitter see group 1/01/05		1							
-	N 013 808 3	sealing ring A 10 X 16		1							
38	-	remote temperature sensor see group 1/01/05		1							
39	900 123 007 30	sealing ring A 14 X 18	-70	1							
40	-	oil pressure switch see group 1/01/05		1							
		- - - E N D - - -									

Model	Year	MG	SG	Illustration	Restrictions	Update	12:24	21.08.2006	PORSCHE	PET	PORSCHE
911	73	9	01	901-05		203					

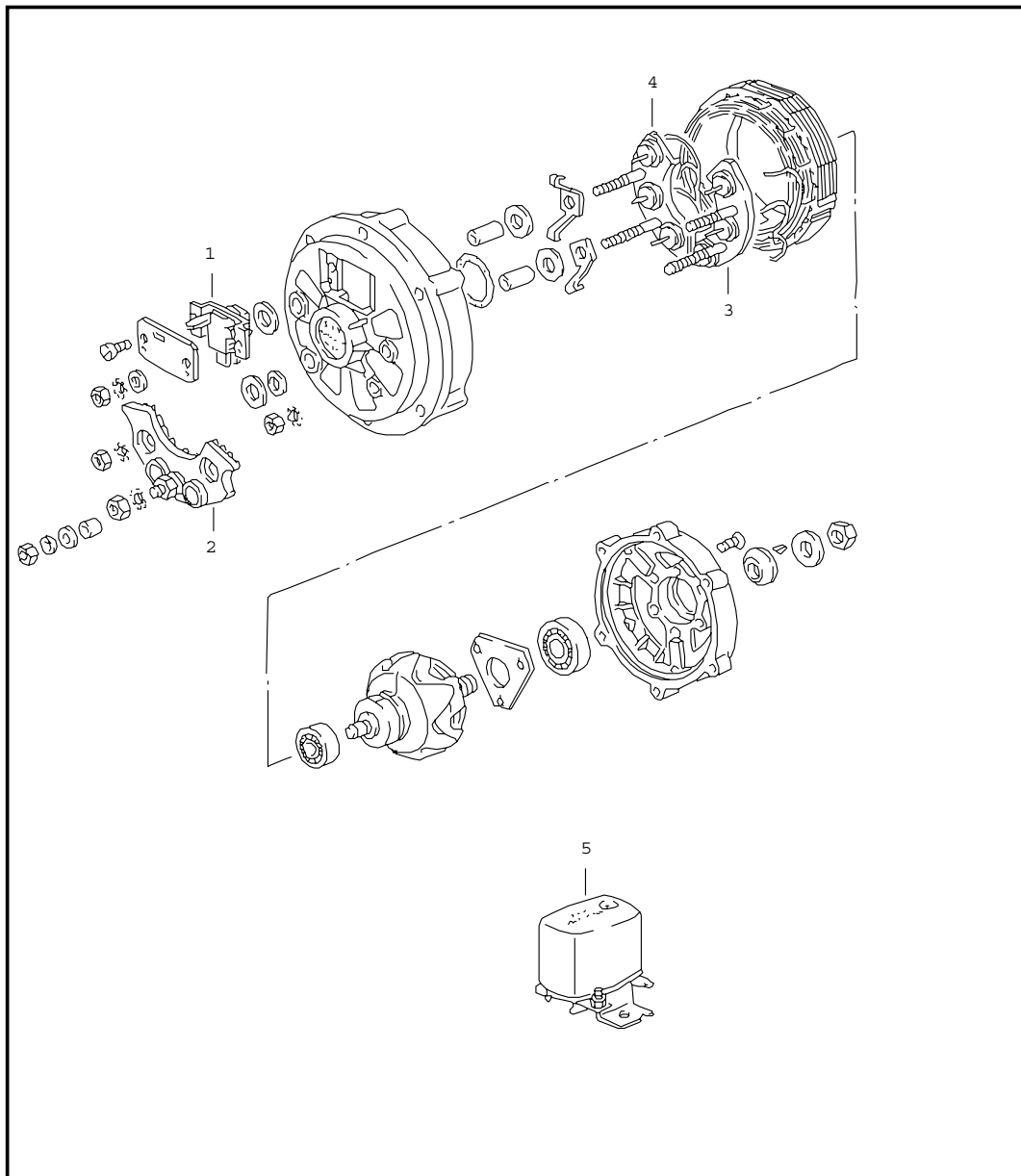


Pos	Part Number	Name	Remarks	Qty	Model
		plate			
1	911 610 103 00	plate		1	
2	901 504 853 20	rubber mounting	-70	3	
(2)	999 703 301 00	silentbloc	71-	3	
3	900 031 011 02	washer 6,4		6	
4	900 084 010 02	hexagon nut M 6		3	
5	N 010 208 5	hexagon-head bolt M 6 X 8		3	
6	900 028 008 01	spring washer B 6		3	
7	N 015 429 2	speed nut B 4,2		X	
-	999 702 119 50	rubber sleeve		2	
8	901 602 601 00	ballast resistor	-70	1	
9	900 187 013 02	hexagon-head bolt BZ 4,2 X 13		1	
10	900 025 002 02	washer 4,3		1	
11	901 603 206 02	regulator switch - BOSCH -		1	
(11)	901 603 206 11	regulator - MOTOROLA -		1	
12	900 187 013 02	hexagon-head tapping screw BZ 4,2 X 13		2	
13	900 151 001 02	washer A 4,3		2	
14	901 615 113 00	relay "DASHPOT"	-71	1	911 T
(14)	901 615 111 00	relay for injection pump	72-	1	911 E/S 911 T
(14)	911 615 115 00	relay for rear wall washer two-stage heatable	71-	1	

Model	Year	MG	SG	Illustration	Restrictions	Update	12:24	21.08.2006	PORSCHE	PET	PORSCHE
911	73	9	01	901-05		203					

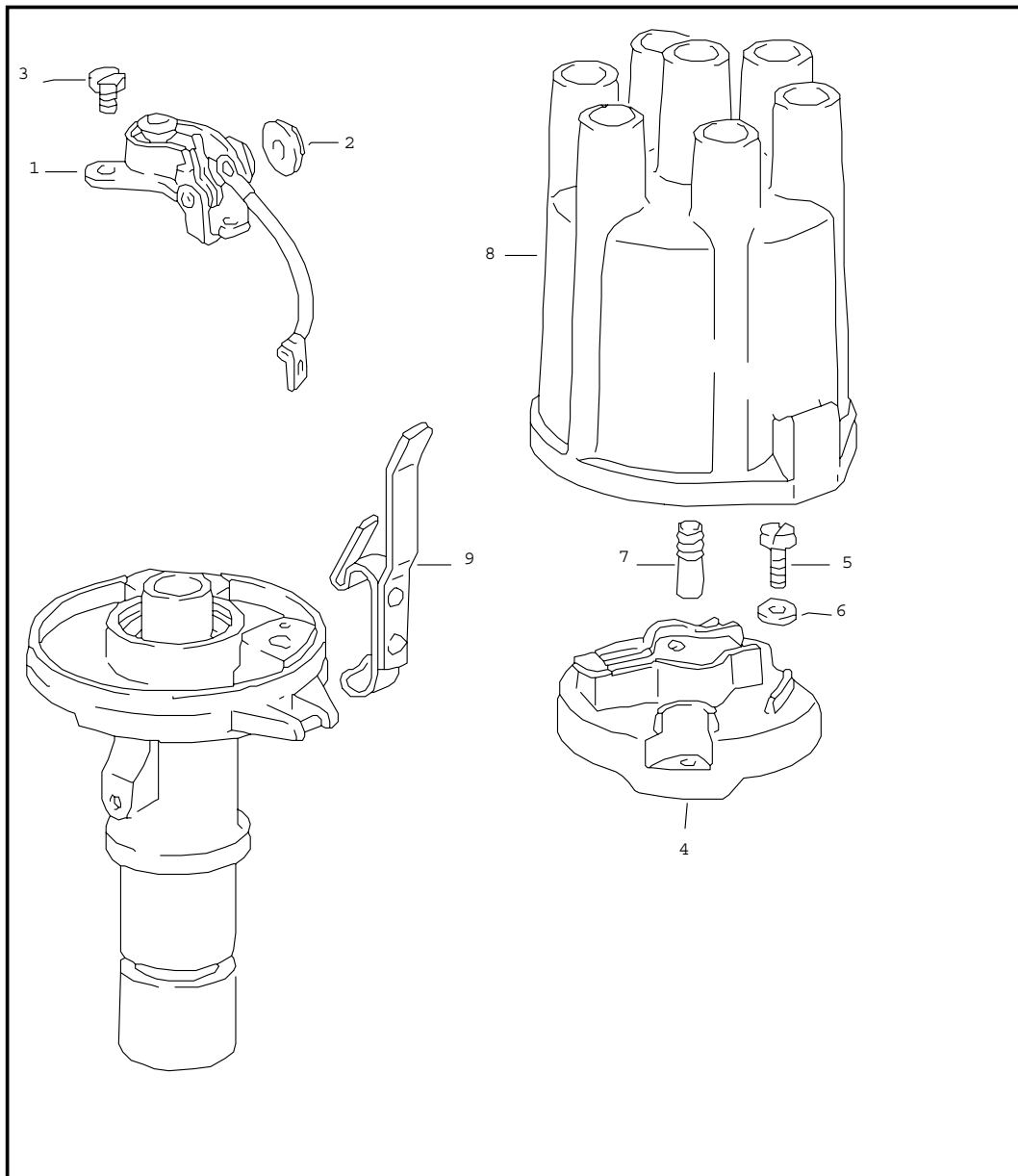
Pos	Part Number	Name	Remarks	Qty	Model	Pos	Part Number	Name	Remarks	Qty	Model
15	900 187 013 02	hexagon-head tapping screw BZ 4,2 X 13		X							
16	900 025 002 02	washer 4,3		X							
17	901 602 702 X	switch unit exchange		1							
18	N 014 703 2	pan-head screw M 6 X 18		3							
19	900 031 011 02	washer 6,4		3							
20	N 012 226 5	spring washer B 6		3							
21	900 076 010 02	hexagon nut M 6		3							
22	911 612 008 00	ground strap plate body		1							
-	N 010 208 5	hexagon-head bolt M 6 X 8		3							
23	911 610 102 00	cover		1							
24	900 253 003 02	knurled screw M 6 X 12	-71	2							
(24)	900 029 102 02	winged screw M 6 X 12	72-	2							
25	900 151 003 02	washer A 6,4		2							
		- - - E N D - - -									

Model	Year	MG	SG	Illustration	Restrictions	Update	12:25	21.08.2006	PORSCHE	PET	PORSCHE
911	73	9	01	901-10		203					



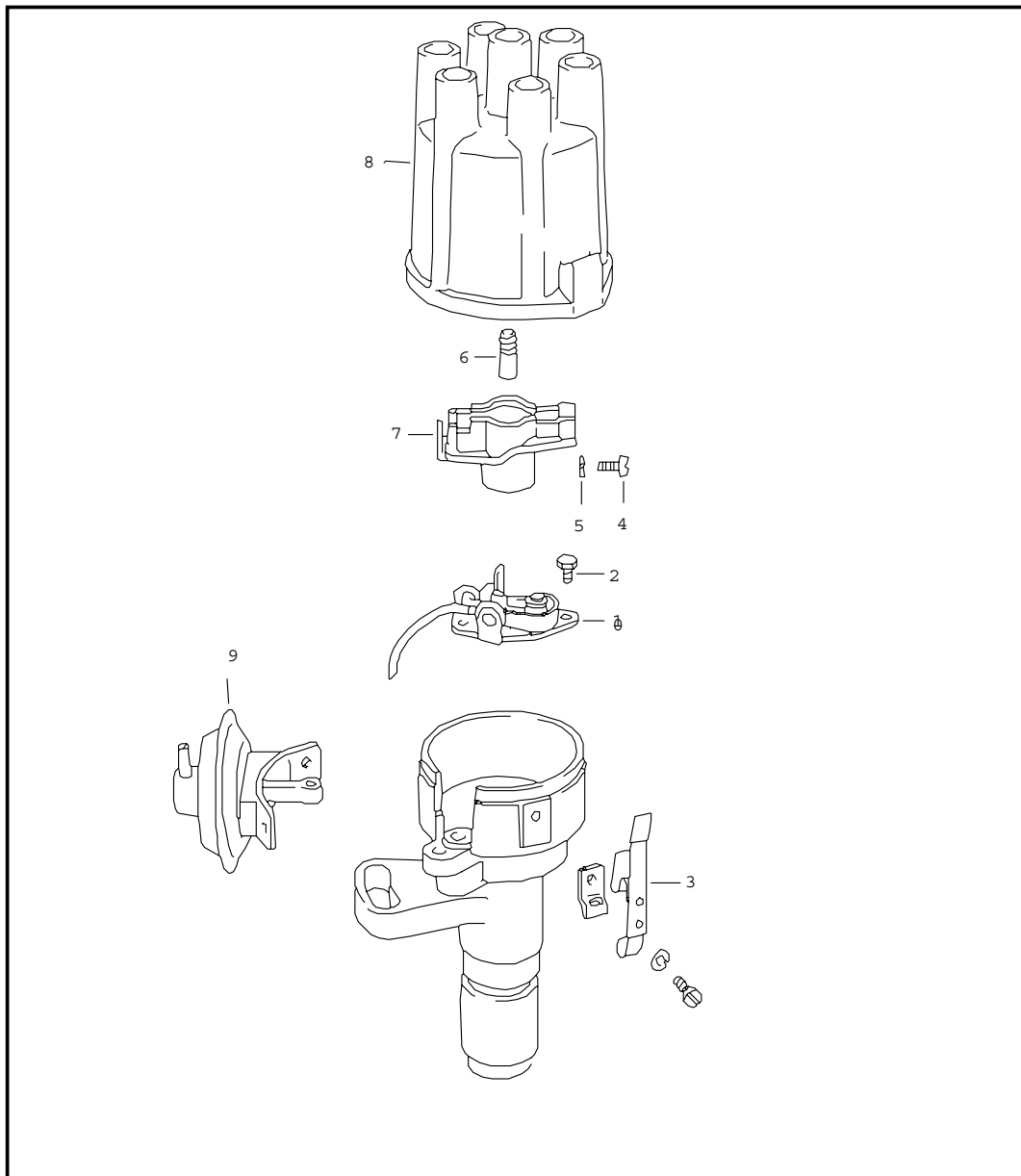
Pos	Part Number	Name	Remarks	Qty	Model
		generator			
		- MOTOROLA -			
		- MARCHAL -	72-		
		- S. E. V. -	72-		
		770 W			
-	901 603 120 00	generator		1	
		770 W			
1	901 603 907 00	support		1	
2	901 603 908 00	support		1	
3	901 603 909 00	support		1	
4	901 603 910 00	support		1	
5	901 603 206 11	regulator		1	
		- - - E N D - - -			

Model	Year	MG	SG	Illustration	Restrictions	Update	12:25	21.08.2006	PORSCHE	PET	PORSCHE
911	73	9	01	901-15		203					



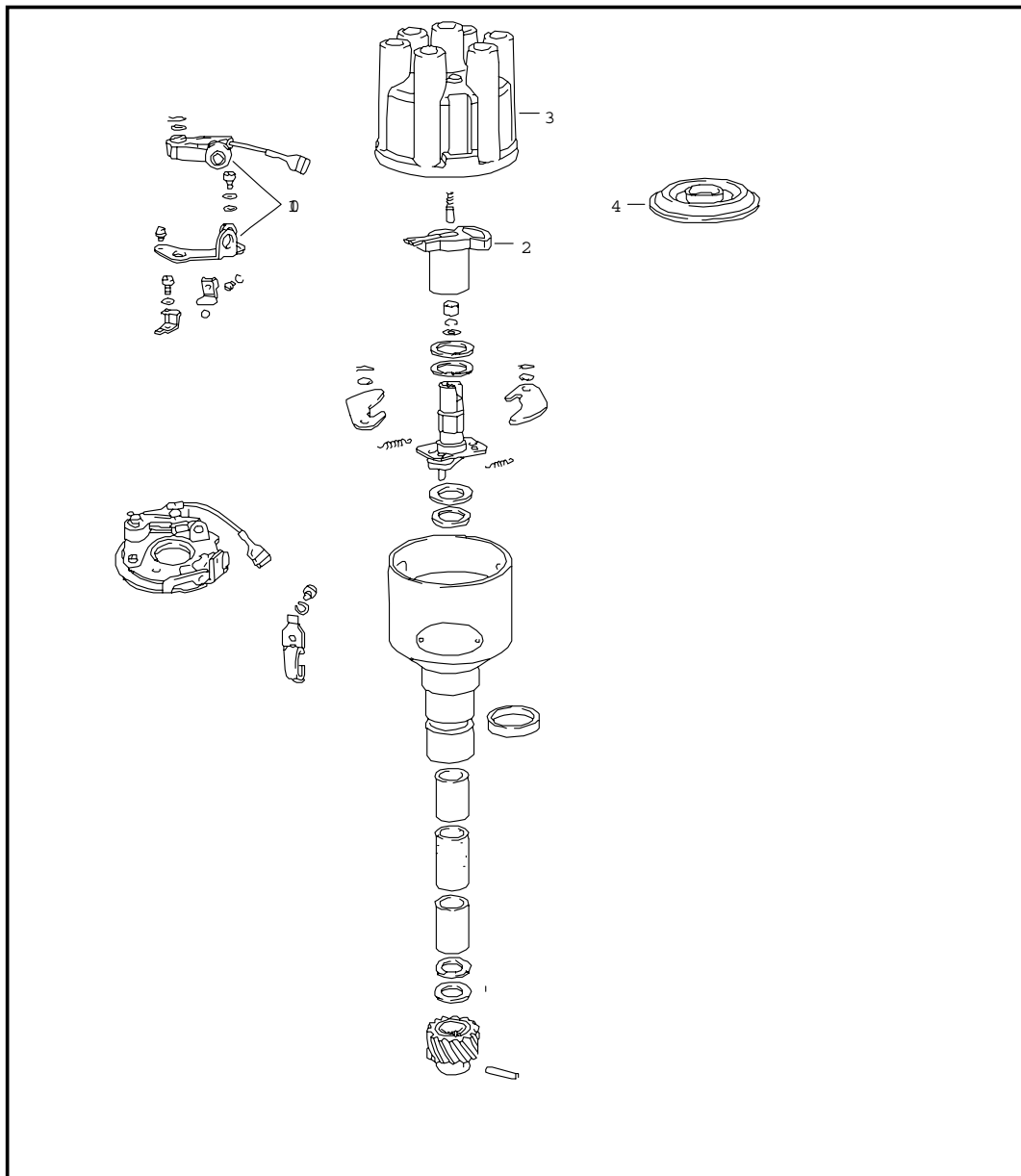
Pos	Part Number	Name	Remarks	Qty	Model
		distributor - MARELLI -	-71		911 T
-	911 602 022 00	distributor		1	
-	911 602 022 X	distributor		1	
1	911 602 960 00	contact breaker point		1	
2	901 602 933 00	washer		1	
3	901 602 934 00	screw		2	
4	901 602 928 01	rotor		1	
5	901 602 951 00	screw		2	
6	901 602 950 00	washer		2	
7	901 602 952 00	wiper contact		1	
8	901 602 953 00	distributor cap		1	
9	901 602 954 00	spring clamp		2	
		- - - E N D - - -			

Model	Year	MG	SG	Illustration	Restrictions	Update	12:25	21.08.2006	PORSCHE	PET	PORSCHE
911	73	9	01	901-20		203					



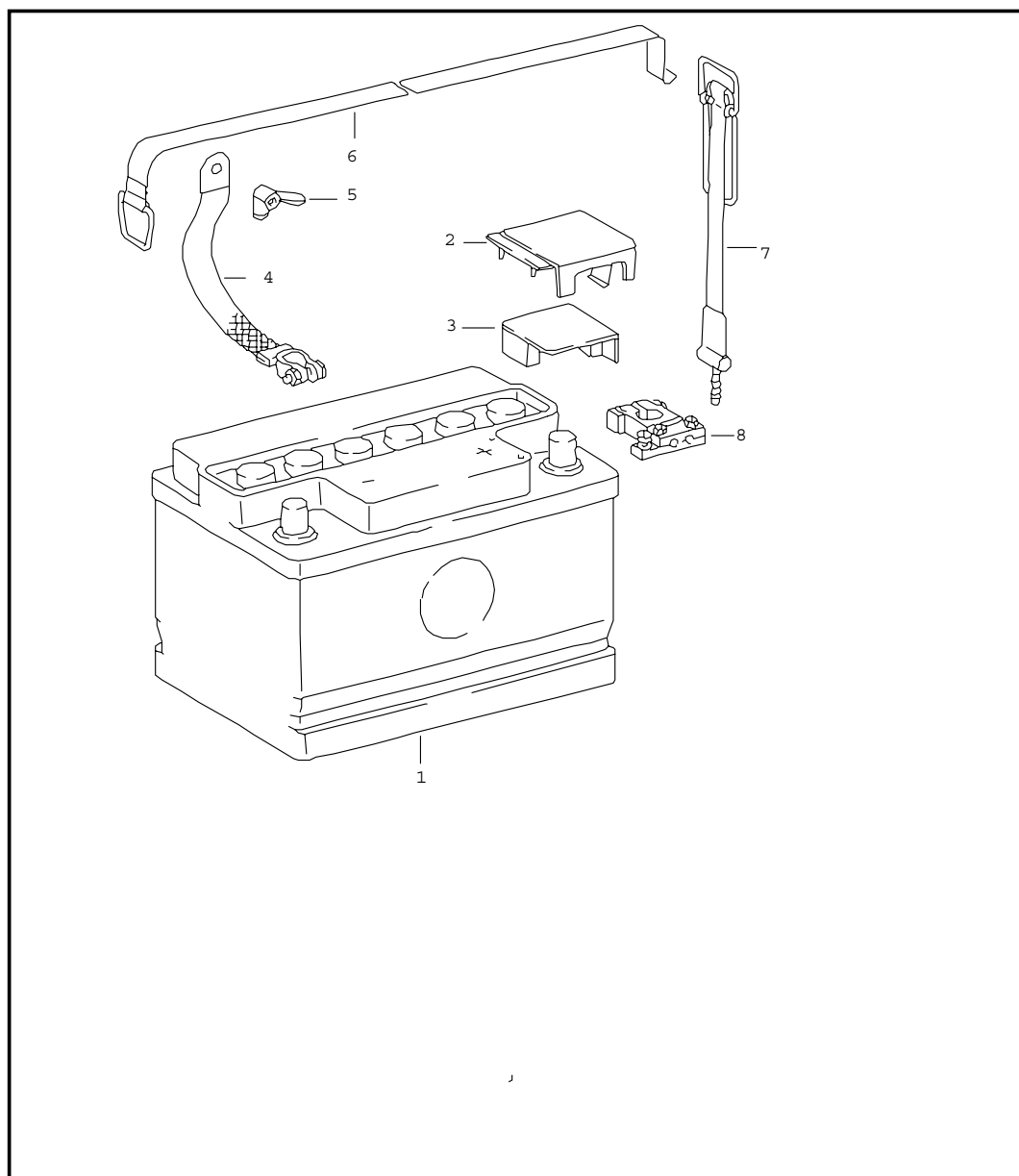
Pos	Part Number	Name	Remarks	Qty	Model
		distributor - MARELLI -	72-		911 T
1	911 602 960 00	contact breaker point		1	
2	911 602 935 00	screw		2	
3	911 602 943 00	spring clamp		2	
4	900 014 046 02	pan-head screw		2	
5	911 602 944 00	lock ring		2	
6	911 602 952 00	wiper contact		1	
7	911 602 104 00	rotor		1	
8	911 602 963 00	distributor cap		1	
9	911 602 955 00	vacuum unit		1	
		- - - E N D - - -			

Model	Year	MG	SG	Illustration	Restrictions	Update	12:25	21.08.2006	PORSCHE	PET	PORSCHE
911	73	9	01	901-25		203					



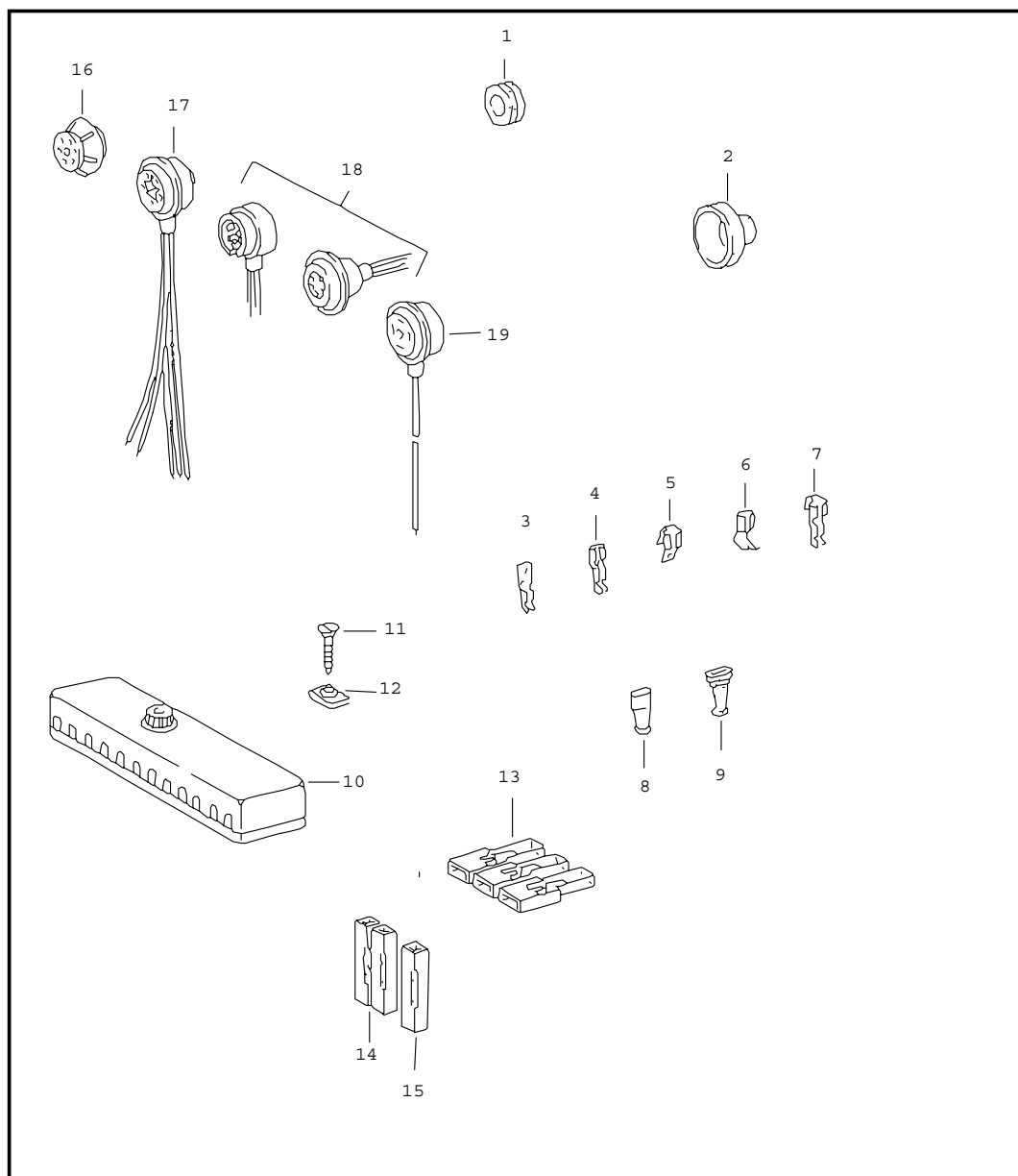
Pos	Part Number	Name	Remarks	Qty	Model
		distributor - BOSCH -			911 T/E/S
-	901 602 021 05	distributor	71	1	911 T
-	911 602 021 01	distributor	72-	1	911 T
-	901 602 027 00	distributor	-71	1	911 E
-	911 602 027 01	distributor	72-	1	911 E
-	901 602 031 00	distributor	-71	1	911 S
-	911 602 031 01	distributor	72-	1	911 S
1	616 602 226 02	contact breaker point	-71	1	
(1)	901 602 960 00	contact breaker point	72-	1	
2	911 602 928 00	rotor		1	911 T
(2)	911 602 925 00	rotor		1	911 E
(2)	911 602 929 00	rotor		1	911 S
3	901 602 963 00	distributor cap	-71	1	
(3)	911 602 933 00	distributor cap	72-	1	
4	901 602 927 00	dust cover		1	
		- - - E N D - - -			

Model	Year	MG	SG	Illustration	Restrictions	Update	12:26	21.08.2006	PORSCHE	PET	PORSCHE
911	73	9	02	902-00		203					



Pos	Part Number	Name	Remarks	Qty	Model
		battery			
1	999 611 014 90	battery 12 V 36 AH		2	
2	999 611 104 00	pole covering		2	
3	901 611 313 00	cap		2	
4	901 611 902 21	ground strap		2	
5	999 044 001 02	winged nut M 8		2	
-	900 025 025 02	washer 8,4		2	
6	901 611 022 00	restraining strap		2	
7	901 611 028 00	catch		2	
8	901 611 311 00	terminal		2	
		- - - E N D - - -			

Model	Year	MG	SG	Illustration	Restrictions	Update	12:26	21.08.2006	PORSCHE	PET	PORSCHE
911	73	9	02	902-05		203					

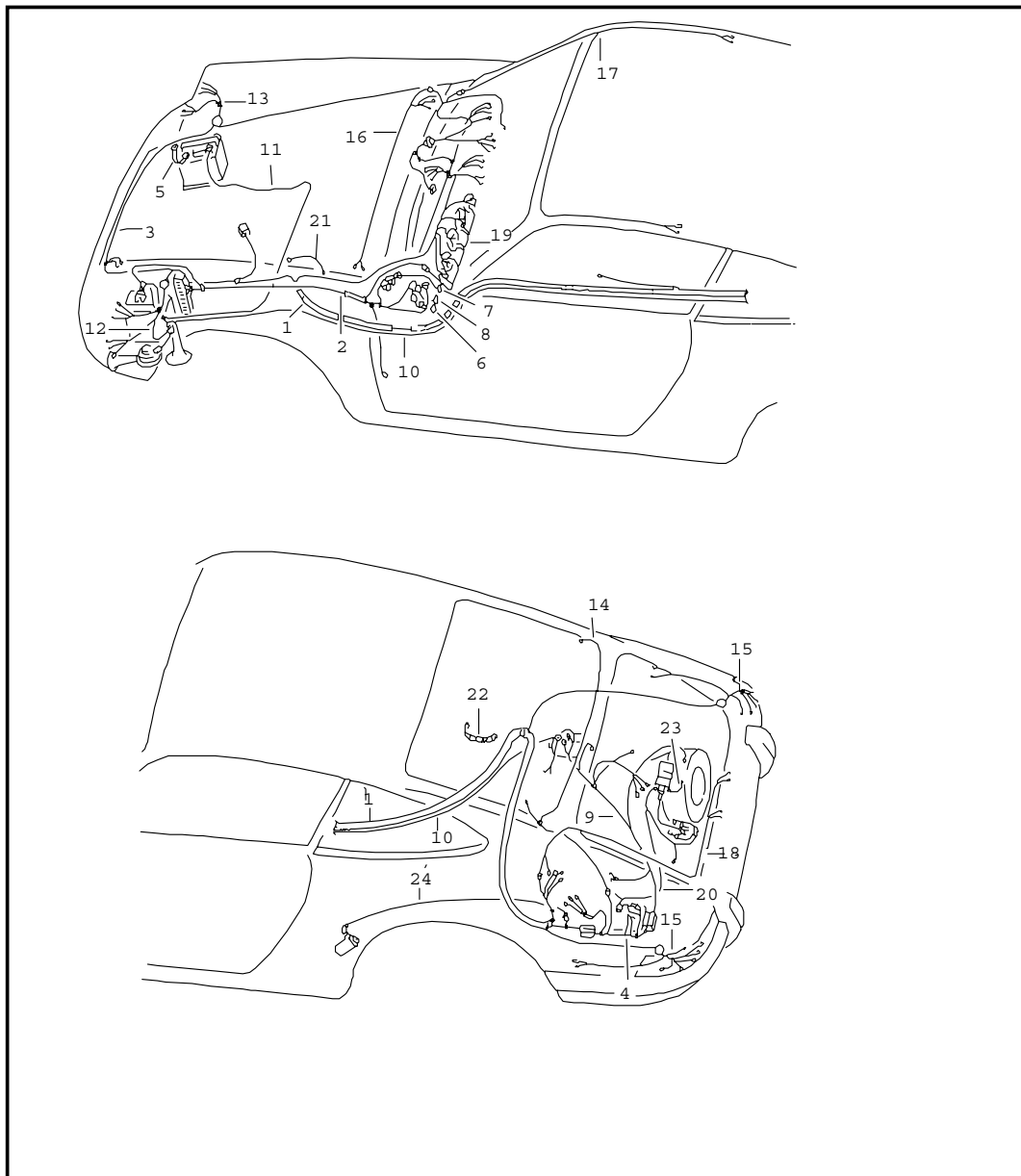


Pos	Part Number	Name	Remarks	Qty	Model
		grommets connector			
1	999 702 051 50	grommet		1	
2	911 611 921 00	rubber boot		1	
3	999 652 115 10	flat plug 0,5 - 2,5 MM		X	
4	111 971 959	flat receptacle 0,5 - 1,5 MM		X	
(4)	999 652 106 02	flat receptacle 0,5 - 2,5 MM		X	
(4)	N 017 491 8	flat receptacle 2,5 MM		X	
(4)	N 017 494 3	flat receptacle 4,0 - 6,0 MM		X	
5	999 652 122 10	multiple plug connector		X	
6	999 652 116 10	flat receptacle 2,5 MM		X	
7	999 652 126 10	distributor		X	
8	999 652 119 40	insulating sleeve		X	
9	999 652 120 40	insulating sleeve		X	
10	911 612 086 00	fuse holder I 10-pole		1	
-	PCG 612 085 00	cover for fuse holder 10-pole		1	
(10)	911 612 087 00	fuse holder II 8-pole		1	
-	911 612 093 03	fuse box 3-pole		1	
-	900 173 006 90	safety fuse 5 A	-70	X	
-	N 017 121 1	safety fuse 8 A		X	
-	N 017 121 4	safety fuse 16 A		X	

Model	Year	MG	SG	Illustration	Restrictions	Update	12:26	21.08.2006	PORSCHE	PET	PORSCHE
911	73	9	02	902-05		203					

Pos	Part Number	Name	Remarks	Qty	Model	Pos	Part Number	Name	Remarks	Qty	Model
-	N 017 121 5	safety fuse 25 A		X		19	901 612 334 00	socket hazard warning light sw.		X	
-	911 617 106 00	diode for windscreen heating and rear window heating two stages	71- M	1				- - - E N D - - -			
-	999 652 106 02	flat receptacle	71-	1							
-	999 652 128 40	insulating sleeve	71-	1							
-	999 652 246 10	cable shoe	71-	1							
-	999 702 011 50	rubber sleeve	71-	2							
-	911 612 813 00	fuse holder	71-	1							
11	900 143 029 02	oval-head sheetmetal screw BZ 4,2 X 16		4							
12	N 015 429 2	speed nut		2							
-	999 507 321 02	klips nut lock M 6		1							
-	901 551 465 00	cover fuse holder		1							
-	999 591 805 12	push button	-70	2							
-	900 145 043 00	oval-head sheetmetal screw B 3,5 X 9,5	-70	2							
13	999 652 151 40	line distributor 3-pole	-70	2							
14	999 652 142 40	push-on connector 2-pole		X							
(14)	999 652 142 40	push-on connector 5-pole	-70	X							
15	999 652 142 40	push-on connector single pole		X							
16	901 612 061 00	push-on connector engine compartment	-70	3							
17	901 612 333 00	socket standard type relay		X							
18	901 612 330 00	multiple plug connection 6-pole		X							

Model	Year	MG	SG	Illustration	Restrictions	Update	12:26	21.08.2006	PORSCHE	PET	PORSCHE
911	73	9	02	902-10		203					



Pos	Part Number	Name	Remarks	Qty	Model
		harnesses			
1	911 612 001 00	wiring harness tunnel	/LL -70	1	
(1)	911 612 001 10	wiring harness tunnel	/LL 71	1	
(1)	911 612 061 10	wiring harness tunnel	/RL 71	1	
(1)	911 612 001 21	wiring harness tunnel	/LL 72-	1	
(1)	911 612 061 20	wiring harness tunnel	/RL 72-	1	
-	999 702 044 50	rubber sleeve		1	
-	999 513 023 40	tie-wrap 120 MM		X	
2	911 612 002 00	wiring harness luggage compartment fuse holder instruments	/LL -70	1	
(2)	911 612 002 10	wiring harness luggage compartment fuse holder instruments	/LL 71-	1	
(2)	911 612 060 10	wiring harness luggage compartment fuse holder instruments	/RL 71-	1	
3	911 612 003 00	wiring harness lights front	70	1	
(3)	911 612 003 10	wiring harness lights front	71-	1	
4	911 612 004 00	wiring harness control board regulator - bosch -	70	1	
(4)	911 612 005 00	wiring harness control board regulator - MOTOROLA -	70	1	

Model	Year	MG	SG	Illustration	Restrictions	Update	12:26	21.08.2006	PORSCHE	PET	PORSCHE
911	73	9	02	902-10		203					

Pos	Part Number	Name	Remarks	Qty	Model	Pos	Part Number	Name	Remarks	Qty	Model
(4)	911 612 004 10	wiring harness control board regulator - bosch -	71-	1		-	911 612 013 20	wiring harness engine with - MOTOROLA - - MARCHAL - - S.E.V. - generator	72-	1	911 T/E/S CARRERA 2.7 SPM
(4)	911 612 005 10	wiring harness control board regulator - MOTOROLA - - MARCHAL - - S.E.V. - not for	71-	1		-	911 612 013 30	wiring harness engine with - MOTOROLA - - MARCHAL - - S.E.V. - generator	72-	1	911 T-K SPM
(4)	911 612 005 30	wiring harness control board regulator - MOTOROLA - - MARCHAL - - S.E.V. -	72-	1	911 T-K	-	911 612 118 00	connector 2-pole for two stages rear window heating		1	
-	911 612 009 00	ground cable cold-start valve for injection system		1		8	911 612 014 00	wiring harness hazard warning light sw.	-72	1	
5	901 611 902 21	ground cable	71-	2		(8)	911 612 014 30	wiring harness hazard warning light sw.	73-	1	
6	911 612 010 00	wiring harness light switch		1		-	911 612 015 00	wiring harness hazard warning light sw. for not for		X	(I) 911 T-K
7	911 612 011 00	wiring harness ignition starter switch	-71	1		9	911 612 016 00	wiring harness engine for - bosch - generator	-71	1	
(7)	911 612 011 30	wiring harness ignition starter switch	72-	1		(9)	911 612 017 00	wiring harness engine for - MOTOROLA - generator	-71	1	
-	911 612 012 00	wiring harness engine with - bosch - generator	-71 72-	1	911 T/E SPM 911 T-V SPM						
-	911 612 012 10	wiring harness engine with - bosch - generator G 720 0012 >> 720 0245	70	1	911 E/S	(9)	911 612 017 20	wiring harness engine for - MOTOROLA - - MARCHAL - - S.E.V. - generator not for	72-	1	
-	911 612 013 00	wiring harness engine with - MOTOROLA - - MARCHAL - - S.E.V. - generator	-71 72-	1	911 T/E SPM 911 T-V SPM						911 T-K

Model	Year	MG	SG	Illustration	Restrictions	Update	12:26	21.08.2006	PORSCHE	PET	PORSCHE
911	73	9	02	902-10		203					

Pos	Part Number	Name	Remarks	Qty	Model	Pos	Part Number	Name	Remarks	Qty	Model
(9)	911 612 017 30	wiring harness engine for - MOTOROLA - - MARCHAL - - S.E.V. - generator	72-	1	911 T-K	-	901 612 086 00	wiring harness NR. 29 air conditioner	-70	1	
-	901 612 070 05	wiring harness fuse holder rear window wiper switch		1		-	901 612 053 00	wiring harness heater - WEBASTO -		1	
10	901 611 031 21	battery-starter cable	-71	1		-	911 612 031 00	wiring harness rear window wiper		1	
(10)	901 611 031 21	battery-starter cable	72-	1	911 T-V	-	901 612 075 01	wiring harness sunroof		1	
(10)	911 612 022 20	battery-starter cable	72-	1		14	911 612 032 00	wiring harness rear window heating two-stage heatable	-70	1	
11	901 611 303 00	connecting line	-71	1		(14)	911 612 032 01	wiring harness rear window heating two-stage heatable	71-	1	
(11)	901 611 303 00	connecting line	72-	1	911 T-V	-	911 612 035 00	wiring harness relay rear window heating two-stage heatable		1	
(11)	911 612 023 20	connecting line	72-	1		-	901 612 066 00	wiring harness rear window heating single-stage heating		1	
-	901 612 071 02	wiring harness power windows		1		(14)	901 612 030 00	additional cables rear window heating two-stage heatable	-70	1	
-	901 612 071 03	wiring harness power windows door		2		(14)	911 612 037 01	additional cables rear window heating two-stage heatable	71-	2	
12	911 612 024 00	wiring harness for headlamp	/L	1		15	911 612 039 10	wiring harness rear light		2	
13	901 612 047 00	wiring harness for headlamp	/R	1		-	911 612 040 00	wiring harness rear fog light	M	1	
-	911 612 025 00	additional cables tunnel rear window wiper		1		-	901 612 035 41	wiring harness interior light		1	
-	911 612 026 00	wiring harness switch rear fog light	M	1		-	901 612 079 00	wiring harness brakes warning light		1	
-	911 612 027 00	additional cables fog headlamp		1		-	911 612 079 00	wiring harness brakes warning light		1	
-	911 612 027 01	ground cable fog headlamp	72-	1	911 T/E/S (USA) (J)	-	911 612 079 00	wiring harness brakes warning light		1	(USA) (S)
-	901 612 084 00	wiring harness NR. 28 air conditioner	-70	1							

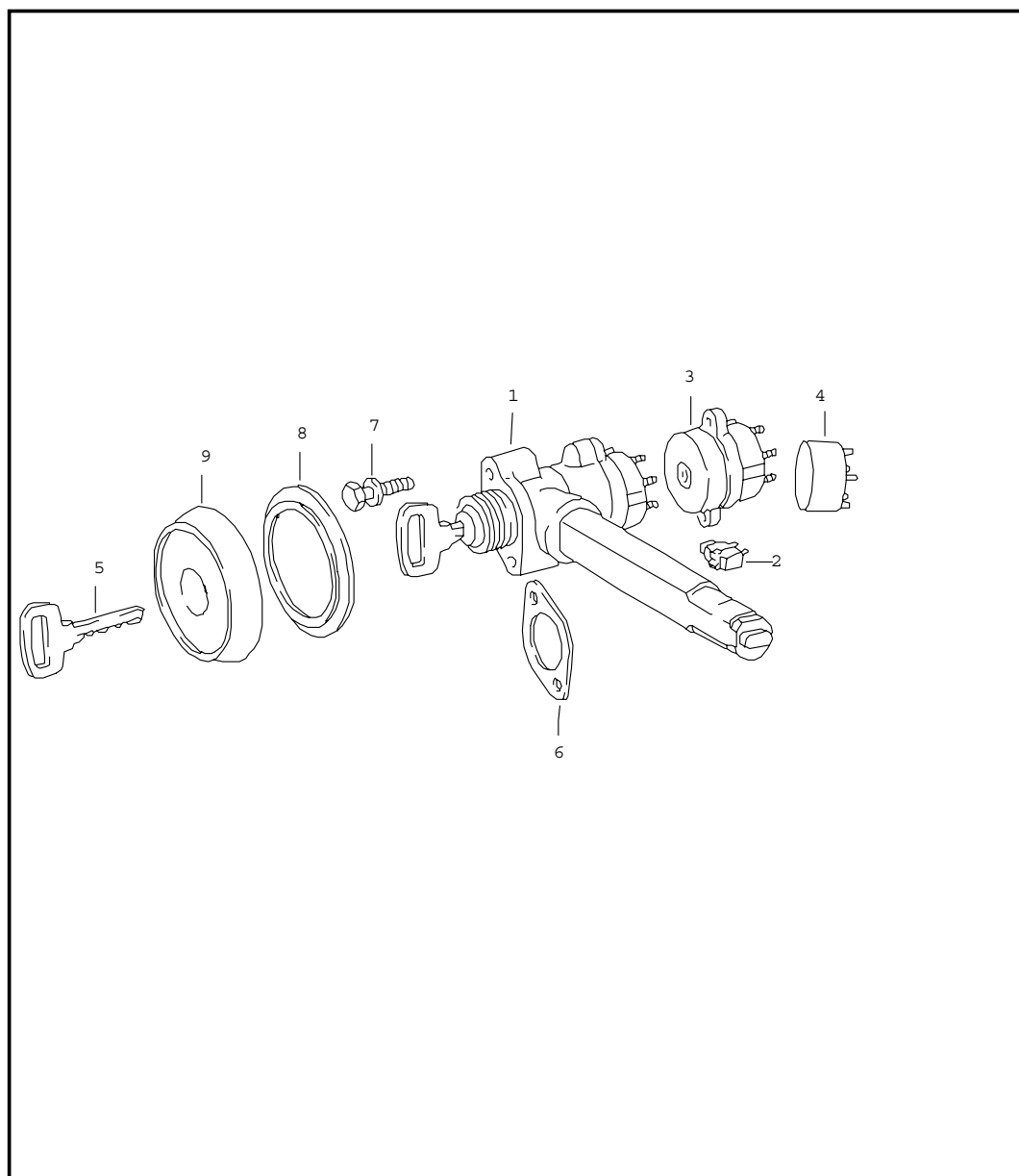
Model	Year	MG	SG	Illustration	Restrictions	Update	12:26	21.08.2006	PORSCHE	PET	PORSCHE
911	73	9	02	902-10		203					

Pos	Part Number	Name	Remarks	Qty	Model	Pos	Part Number	Name	Remarks	Qty	Model
-	911 617 107 00	diode for brakes warning light		1	(USA) (S)	(20)	911 612 050 00	wiring harness for ignition transformer 901.602.502.00	72-	1	
16	901 612 042 00	wiring harness luggage boot lamp	-71	1		(20)	911 612 050 01	wiring harness for ignition transformer 911.602.503.00	72-	1	
(16)	911 612 044 21	wiring harness luggage boot lamp	72-	1		21	901 612 303 20	ground strap tank filler neck		1	
17	901 612 035 20	wiring harness interior light		1		22	999 611 918 20	ground strap transmission running gear	-71	1	
18	901 612 041 21	wiring harness license plate light		1		(22)	999 611 920 20	ground strap transmission running gear	72-	1	
19	901 612 043 03	wiring harness instruments illumination		1		-	911 612 053 00	ground cable tank filler neck sender	-71	1	
-	901 612 062 00	wiring harness switch power windows	-72	3		-	911 612 054 00	wiring harness standard type relay rear window heating single-stage heating		1	
-	911 612 101 00	wiring harness switch power windows passenger's door	73	1		-	901 612 030 07	wiring harness rear window heating two-stage heatable - TARGA- rear window heating single-stage heating and windscreen heating		1	
-	911 612 102 00	wiring harness switch power windows driver's door	73	1		-	911 612 056 00	additional cable for fuse holder 16 A		1	
-	911 612 103 00	wiring harness switch power windows driver's door passenger's door	73	1		-	911 612 057 00	wiring harness for windscreen heating		1	
-	911 612 104 00	wiring harness power windows door	/L/R	1		-	911 612 060 00	wiring harness for luggage compartment	-70	1	911 T/E SPM
-	999 613 017 40	covering cable holder power windows		2		-	911 612 061 00	wiring harness NR. 61 tunnel	-70	1	
-	901 612 315 20	wiring harness engine compartment lamp		1							
20	911 612 050 00	wiring harness ignition H.K.Z.	-71	1							

Model	Year	MG	SG	Illustration	Restrictions	Update	12:26	21.08.2006	PORSCHE	PET	PORSCHE
911	73	9	02	902-10		203					

Pos	Part Number	Name	Remarks	Qty	Model	Pos	Part Number	Name	Remarks	Qty	Model
-	901 612 094 00	wiring harness fuse holder switch rear window wiper		1		-	911 612 074 00	additional cables for fanfare	-70	1	
-	911 612 063 00	additional cables tunnel rear window wiper		1		-	901 612 089 07	additional cables for rear window heating two-stage heatable	-71	1	
-	911 612 064 00	wiring harness sunroof		1		-	911 612 075 00	additional cables for rear window heating two-stage heatable	72-	2	
-	901 612 097 00	connecting line power windows	-72	1		-	911 612 074 00	additional cables for light 901.631.401.03/04/05/07	L/V 71	1	
-	901 612 071 02	connecting line power windows	73	1		-	901 612 063 10	additional cables for fog headlamp		1	(CH)
23	901 612 099 00	ground strap ignition coil terminal 1		1		-	911 612 078 00	wiring harness air conditioner fuse box relay	-70	1	
-	901 612 101 00	wiring harness for loudspeaker front radio - BLAUPUNKT - - PHILIPS -		1		-	911 612 079 00	wiring harness air conditioner solenoid valve clutch	-70	1	
-	901 612 103 00	wiring harness for loudspeaker front radio - PHILIPS -	71	1		-	914 612 125 10	wiring harness headlight flasher switch	71-	1	(CH) (I)
-	901 612 102 00	wiring harness for loudspeaker front radio - BECKER -		1		-	911 612 083 00	ground cable ashtray	71-	1	
-	901 612 043 01	positive cable for instrument cluster oil temperature indicator light		1				- - - E N D - - -			
24	911 612 072 10	wiring harness fuel pump	71-	1							
-	911 612 073 00	wiring harness high beam		1							

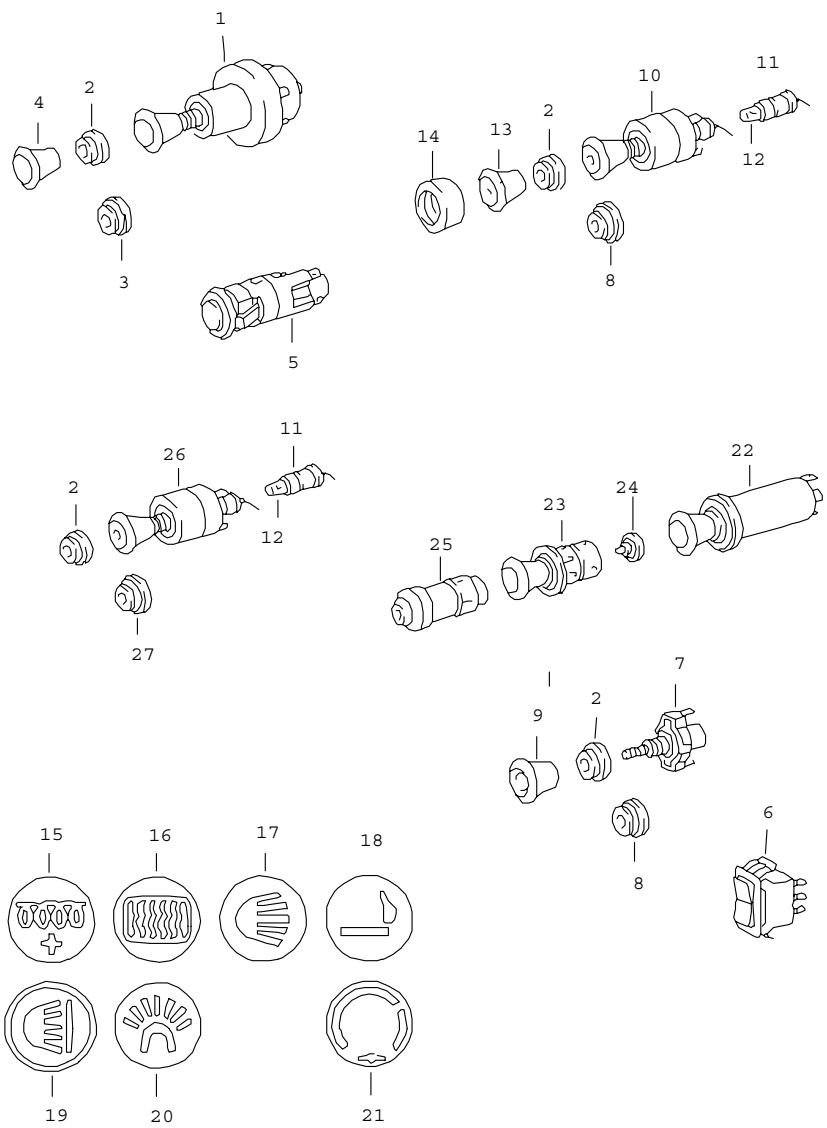
Model	Year	MG	SG	Illustration	Restrictions	Update	12:26	21.08.2006	PORSCHE	PET	PORSCHE
911	73	9	03	903-00		203					



Pos	Part Number	Name	Remarks	Qty	Model
		steering lock			
(1)	911 613 011 05	steering lock without buzzer contact	-70	1	
(1)	911 613 901 01	steering lock without buzzer contact	71-	1	
(1)	911 613 903 00	steering lock without buzzer contact state lock number 964.374.917.00 use it is necessary to rework	72-	1	
3	911 613 017 01	ignition starter switch		1	
5	914 531 637 10	main key state lock number		2	
(5)	914 531 903 11	blank key state lock number		2	
(5)	914 531 903 10	blank key for main key		1	
(5)	914 531 903 11	blank key for secondary key		1	
6	911 347 359 01	reinforcement plate		1	
7	901 613 193 00	shear bolt		2	
8	911 613 163 00	intermediate ring		1	
9	901 613 160 00	trim		1	
-	999 190 113 02	rivet		2	
		- - - E N D - - -			

Model	Year	MG	SG	Illustration	Restrictions	Update	12:26	21.08.2006	PORSCHE	PET	PORSCHE
911	73	9	03	903-05		203					

Pos	Part Number	Name	Remarks	Qty	Model
1	911 613 212 00	switch covering for instruments		1	
-	901 613 213 01	washer		X	
2	911 613 213 00	rose plastic material		6	
(2)	901 613 261 20	rose plastic material		X	
3	901 613 216 50	nut chrome	-71	1	
4	901 552 821 20	knob		1	
5	911 613 123 00	hazard warning light sw.		1	
6	911 613 622 00	tip switch for sunroof		1	
(6)	901 613 621 00	switch for power windows		3	
-	901 613 635 00	wiper frame for switch power windows		1	
-	901 613 043 00	switch for rear window wiper		1	
7	901 613 631 00	switch for optional heating	/LL	1	
8	901 613 216 50	rose chrome	-71	5	
9	901 552 823 00	knob		1	
10	902 613 511 91	switch for rear window heating single-stage heating		1	
(10)	901 613 045 00	switch for rear window heating two-stage heatable		1	
11	999 632 007 00	bulb holder		3	

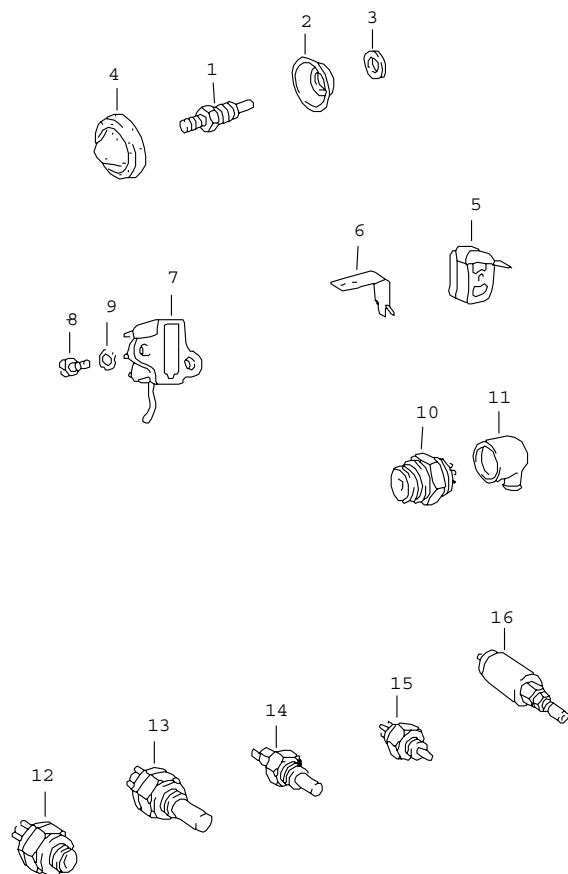


Model	Year	MG	SG	Illustration	Restrictions	Update	12:26	21.08.2006	PORSCHE	PET	PORSCHE
911	73	9	03	903-05		203					

Pos	Part Number	Name	Remarks	Qty	Model	Pos	Part Number	Name	Remarks	Qty	Model
12	900 631 102 90	bulb 12V 2W		3		(26)	911 613 027 00	switch fog headlamp and rear fog light	72-	1	
13	901 552 821 01	knob		1							
14	901 552 827 00	cap		8		(26)	902 613 623 90	switch rear fog light	72-	1	
15	901 552 833 00	cap with symbol for optional heating		1		27	901 552 881 20	cover		3	
16	901 552 837 00	cap with symbol for rear window heating		1				- - - E N D - - -			
17	901 552 832 00	cap with symbol for illumination		1							
18	901 552 835 00	cap with symbol for cigarette lighter		1							
19	901 613 802 00	cap with symbol for fog headlamp		1							
20	901 552 836 00	cap with symbol for hazard warning light sw.	-70	1							
21	901 552 834 00	cap with symbol for radio	-70	2							
22	901 652 102 01	cigarette lighter	-72	1							
(22)	911 652 102 01	cigarette lighter	73	1							
23	901 652 122 00	connector	-72	1							
(23)	911 652 122 00	connector	73	1							
24	644 652 112 00	glower		1							
25	901 613 801 00	connector	M	1							
26	911 613 027 00	switch fog headlamp and rear fog light indicator light green	-70	1							
(26)	901 613 504 01	switch fog headlamp	71	1							

Model	Year	MG	SG	Illustration	Restrictions	Update	12:27	21.08.2006	PORSCHE	PET	PORSCHE
911	73	9	03	903-10		203					

Pos	Part Number	Name	Remarks	Qty	Model
1	964 613 601 00	switch door contact switch for interior light and luggage boot lamp		3	
(1)	901 615 601 02	contact switch for glove compartment light		1	
2	901 615 615 20	concave washer		2	
3	900 031 001 60	washer 8,4		2	
4	901 615 616 20	rubber cap		2	
5	901 613 521 20	contact switch for indicator light handbrake see group 7/01/20		1	
6	901 613 523 20	contact bow for indicator light handbrake see group 7/01/20		1	
7	-	stop light switch see group 7/02/00		1	
8	900 146 011 02	oval-head screw AM 4 X 10		1	
9	900 114 014 01	shake-proof washer A 4,3		1	
10	-	back-up light switch see group 3/02/00		1	
11	914 613 491 00	protection cap		1	
12	-	back-up light switch see group 3/02/00		1	
13	-	bridging switch see group 3/07/00		1	



Model	Year	MG	SG	Illustration	Restrictions	Update	12:27	21.08.2006	PORSCHE	PET	PORSCHE
911	73	9	03	903-10		203					

Pos	Part Number	Name	Remarks	Qty	Model	Pos	Part Number	Name	Remarks	Qty	Model
14	-	temperature switch see group 3/06/00		1							
16	-	solenoid valve see group 2/01/20		1							
		- - - E N D - - -									

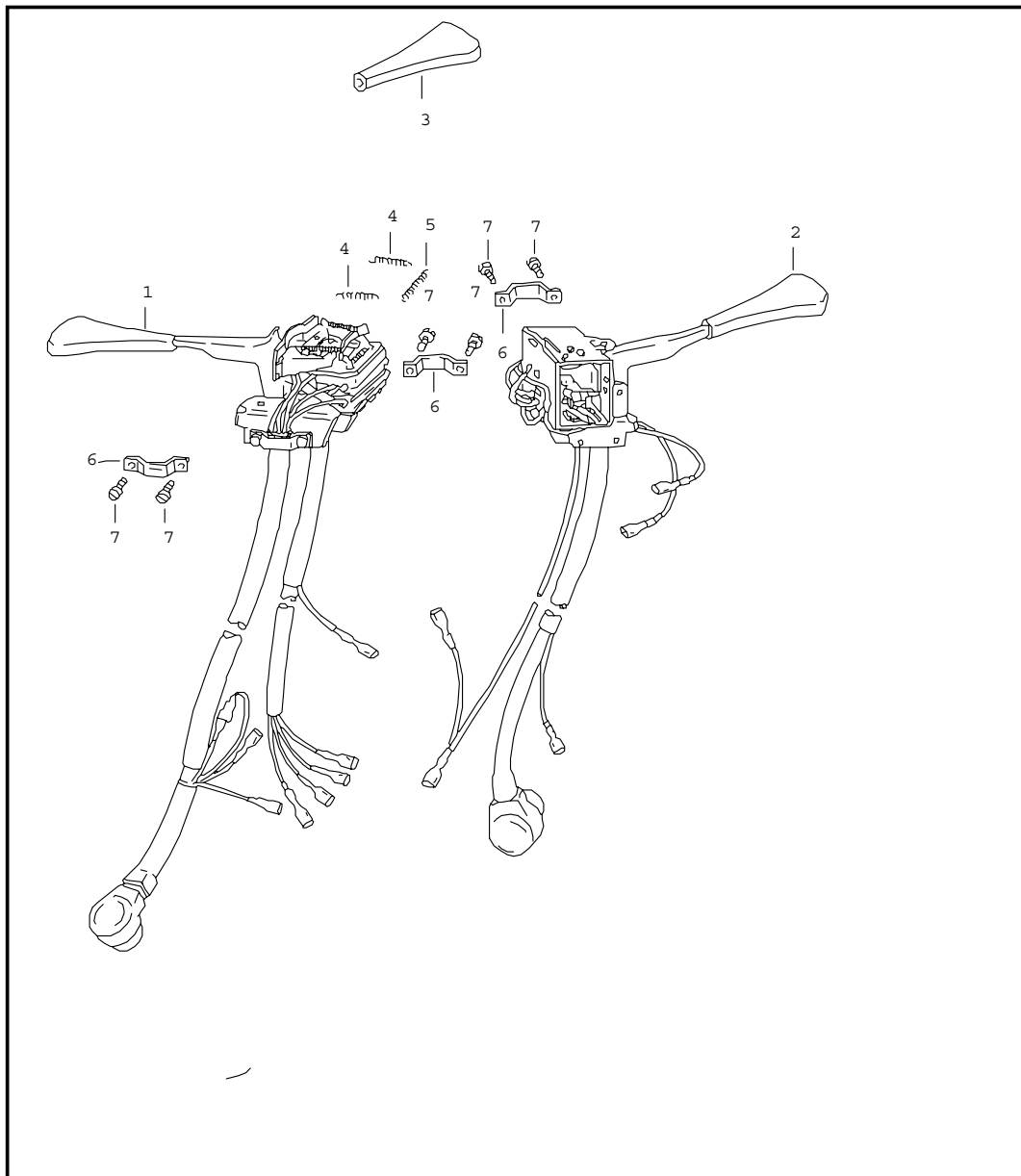
Model	Year	MG	SG	Illustration	Restrictions	Update	12:27	21.08.2006	PORSCHE	PET	PORSCHE
911	73	9	03	903-15		203					

Pos	Part Number	Name	Remarks	Qty	Model
1	902 635 102 00	horn - BOSCH 335 HZ -	70	1	911 T/E
2	900 075 085 02	hexagon-head bolt M 8 X 20	70	4	
3	900 027 015 02	lock ring B 8	70	4	
4	900 025 007 02	washer 8,4	70	4	
5	901 635 112 02	fanfare - BOSCH 400 HZ -	/L	1	(CH)
(5)	901 635 113 02	fanfare - BOSCH 500 HZ -	/R	1	(CH)
6	901 635 012 00	clip	/R 70	X	
(6)	901 635 011 00	clip	/L 70	1	
7	911 635 101 20	fanfare high-pitched - bosch -		1	
(7)	911 635 102 20	fanfare low-pitched - bosch -		1	
8	911 635 111 00	support	/R	1	
9	900 075 087 02	hexagon-head bolt M 8 X 16		2	
10	900 027 005 02	lock ring A 8		2	
11	900 025 007 02	washer 8,4		2	
12	901 617 105 00	diode for license plate light	-71	1	(A)
-	999 659 011 50	rubber cap	-71	1	(A)
13	911 615 111 00	relay for windscreen wiper system	70	1	
(13)	911 615 112 00	interval relay for windscreen wiper system	70	1	

Model	Year	MG	SG	Illustration	Restrictions	Update	12:27	21.08.2006	PORSCHE	PET	PORSCHE
911	73	9	03	903-15		203					

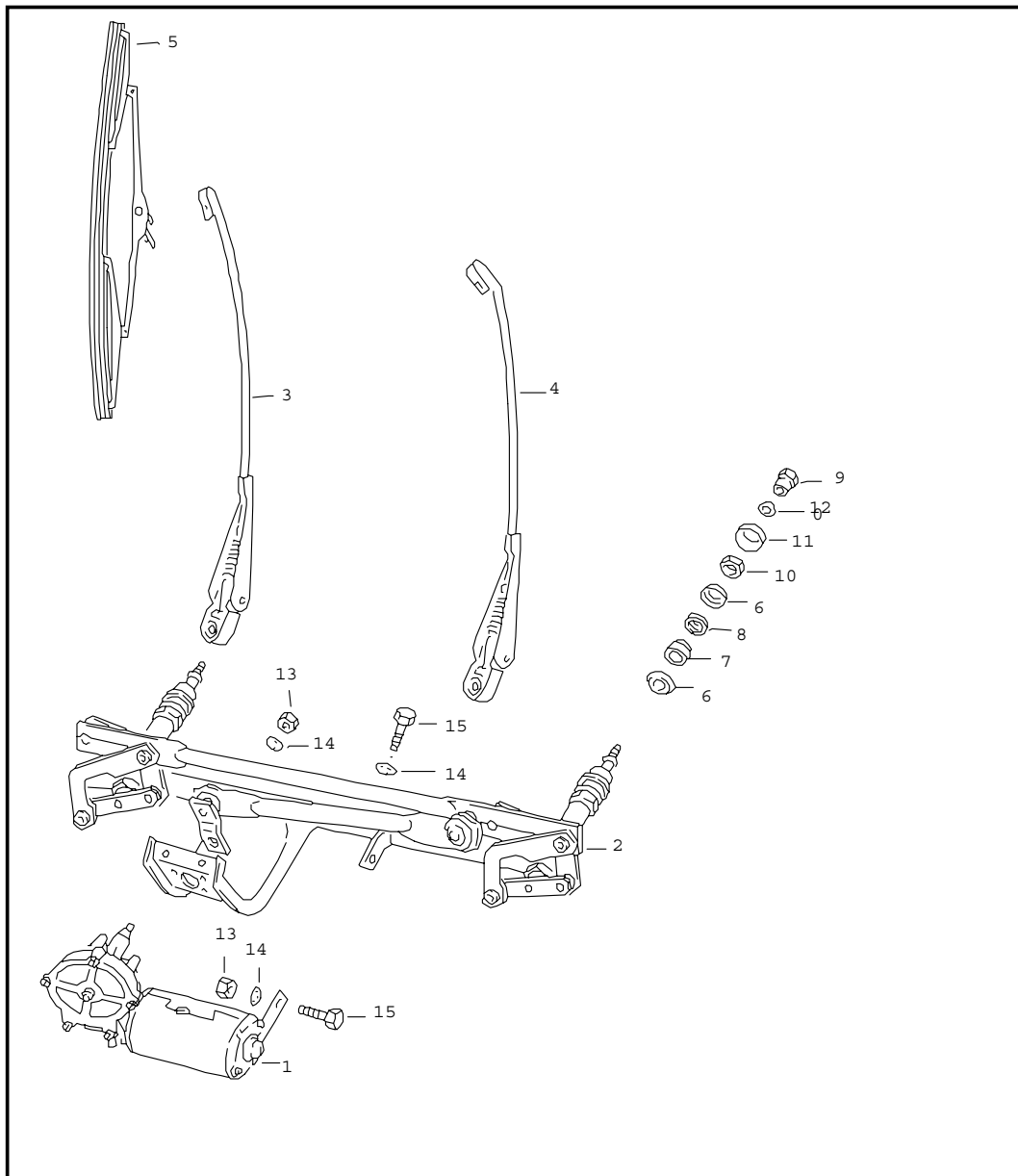
Pos	Part Number	Name	Remarks	Qty	Model	Pos	Part Number	Name	Remarks	Qty	Model
14	914 618 303 11	flasher relay for direction indicator light and warning light	70	1		(17)	901 741 801 00	sender for fuel-level indicator fuel tank 90 L	70	1	
(14)	914 618 303 11	flasher relay for direction indicator light and warning light	71-	1		(17)	-	sender for fuel-level indicator fuel tank see group 2/01/00	71-		
15	911 615 109 01	relay for horn blower headlight flasher fog headlamp series resistor ignition coil injection system rear window heating 100 W cigarette lighter high beam windscreen heating		10		18	914 201 891 00	gasket	70	1	
						19	900 014 058 02	pan-head screw AM 5 X 12	70	5	
						20	900 025 003 30	washer 5,3	70	5	
						21	901 612 891 01	connector		1	
						22	-	oil-level sender see group 1/04/00		1	
-	901 615 115 00	relay for rear window heating 100/250 W		1				- - - E N D - - -			
-	N 015 429 2	speed nut		1							
-	900 151 001 02	washer A 4,3		1							
-	900 187 013 02	hexagon-head tapping screw BZ 4,2 X 13		1							
16	-	switch see group 2/02/00		1							
17	901 741 801 00	sender for fuel-level indicator fuel tank 62 L	70	1							
(17)	911 641 801 10	sender for fuel-level indicator fuel tank 110 L	70	1	911 S						

Model	Year	MG	SG	Illustration	Restrictions	Update	12:27	21.08.2006	PORSCHE	PET	PORSCHE
911	73	9	03	903-20		203					



Pos	Part Number	Name	Remarks	Qty	Model
		steering column switch			
1	911 613 301 30	combined switch	-71	1	
(1)	911 613 301 30	combined switch	72-	1	
(1)	911 613 301 30	combined switch headlight flasher only with dipped beam	72-	1	
2	911 613 302 00	wiper switch	70	1	
(2)	901 613 302 04	wiper switch	71-	1	
3	901 552 853 00	handle		2	
4	901 613 352 00	tension spring		2	
5	901 613 918 00	tension spring		1	
6	901 613 920 00	clamping piece		3	
7	901 613 919 00	pan-head screw		6	
- - - E N D - - -					

Model	Year	MG	SG	Illustration	Restrictions	Update	12:27	21.08.2006	PORSCHE	PET	PORSCHE
911	73	9	04	904-00		203					

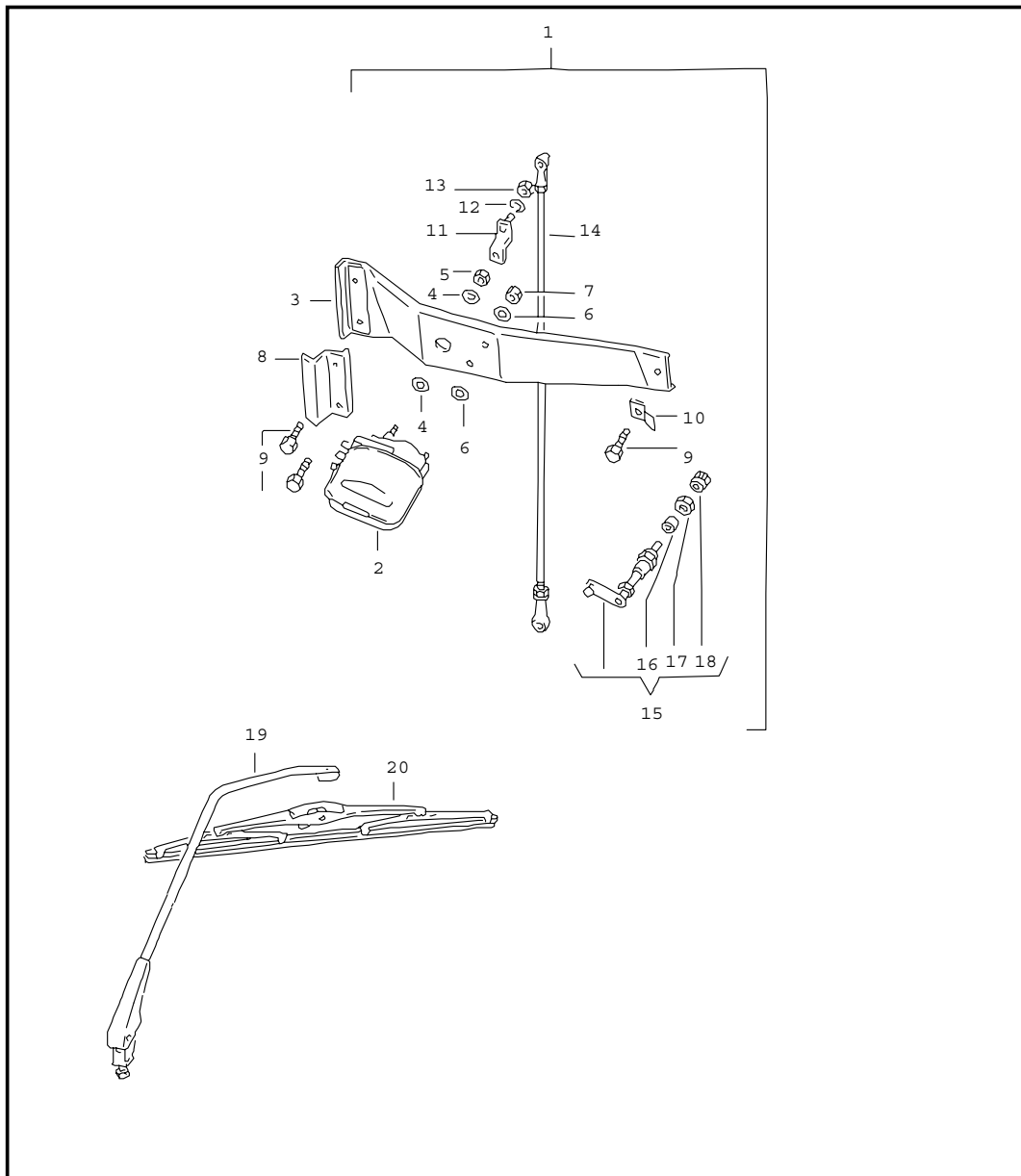


Pos	Part Number	Name	Remarks	Qty	Model
		windscreen wiper system			
1	911 628 101 00	engine	/LL 70	1	
(1)	911 628 102 00	engine	/RL 70	1	
(1)	901 628 016 01	engine	/LL 71-	1	
(1)	901 628 018 01	engine	/RL 71-	1	
(1)	901 628 018 AX	engine	/RL 71-	1	
2	911 628 035 10	crank drive with picture 6 - 12	/LL 70	1	
(2)	911 628 036 10	crank drive with picture 6 - 12	/RL 70	1	
(2)	901 628 933 00	crank drive with picture 6 - 12	/LL 71-	1	
(2)	901 628 934 00	crank drive with picture 6 - 12	/RL 71-	1	
3	914 628 313 10	wiper arm - SWF -	70	1	
(3)	914 628 313 10	wiper arm - bosch -	70	1	
(3)	914 628 313 10	wiper arm - SWF -	71-	1	
4	914 628 314 10	wiper arm - SWF -	/LL 70	1	
(4)	901 628 014 00	wiper arm - SWF -	/RL 70	1	
(4)	914 628 314 10	wiper arm - bosch -	70	1	
(4)	914 628 314 10	wiper arm - SWF -	/LL 71-	1	
(4)	911 628 014 00	wiper arm - SWF -	/RL 71-	1	
5	901 628 311 10	wiper blade - SWF -	70	2	

Model	Year	MG	SG	Illustration	Restrictions	Update	12:27	21.08.2006	PORSCHE	PET	PORSCHE
911	73	9	04	904-00		203					

Pos	Part Number	Name	Remarks	Qty	Model	Pos	Part Number	Name	Remarks	Qty	Model
(5)	901 628 311 20	wiper blade - bosch -	70	2							
(5)	914 628 311 10	wiper blade - SWF -	71-	2							
6	901 628 922 00	washer		4							
7	901 628 923 01	rubber bush		2							
8	901 628 924 00	rubber bush		2							
9	901 628 341 00	cap nut		2							
10	901 628 925 00	hexagon nut		2							
11	901 628 926 00	cap		2							
12	901 628 927 00	spring washer		2							
13	900 076 010 02	hexagon nut M 6		2							
14	914 628 901 00	lock ring	70	2							
(14)	N 042 121 1	shake-proof washer J 6,4	71-	2							
15	900 075 010 02	hexagon-head bolt M 6 X 12		1							
-	901 628 053 20	rubber mounting	/LL	1							
-	901 628 054 20	rubber mounting	/RL	1							
-	901 628 505 20	tab washer		1							
-	900 075 097 02	hexagon-head bolt M 5 X 15	70	2							
-	N 010 264 4	hexagon-head bolt M 5 X 20	71-	2							
-	900 187 011 02	hexagon-head tapping screw B 4,3 X 13		2							
-	900 151 001 02	washer A 4,3		2							
-	N 015 429 2	speed nut B 4,2		2							
-	N 012 005 3	lock ring B 5		2							
		- - - E N D - - -									

Model	Year	MG	SG	Illustration	Restrictions	Update	12:28	21.08.2006	PORSCHE	PET	PORSCHE
911	73	9	04	904-05		203					

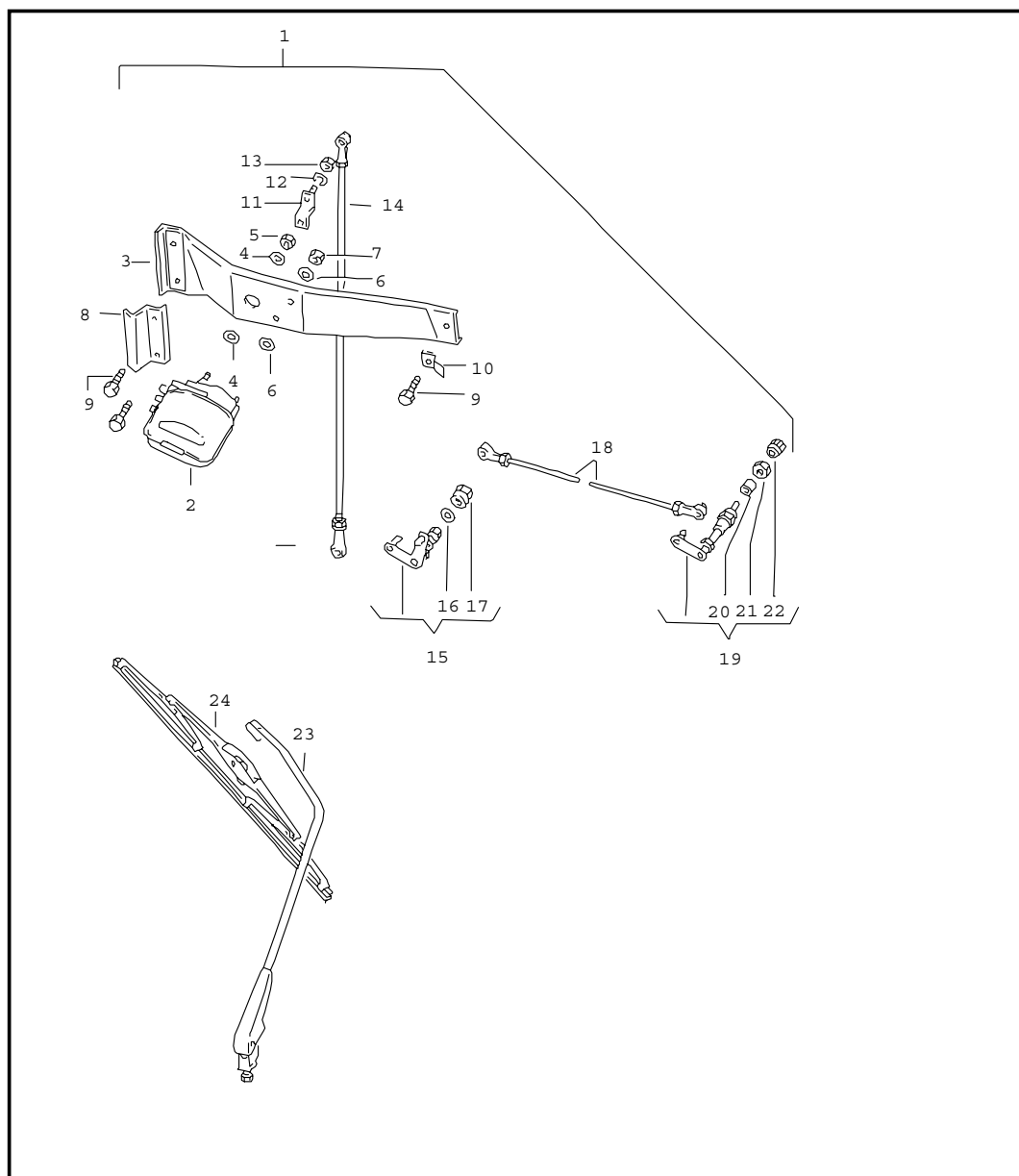


Pos	Part Number	Name	Remarks	Qty	Model
		rear window wiper	/LL M		
1	901 628 061 01	rear window wiper without wiper arm wiper blade		1	
2	911 628 063 00	wiper motor		1	
3	901 628 065 00	wiper frame		1	
4	901 628 338 00	washer		2	
5	999 078 014 02	hexagon nut		2	
6	901 628 339 00	washer		4	
7	900 076 027 02	hexagon nut M 5		2	
8	901 628 320 00	bracket		1	
9	N 010 215 13	hexagon-head bolt M 6 X 15		3	
10	901 628 337 00	support		1	
11	901 628 318 00	lever		1	
12	900 027 014 01	lock ring B 6		1	
13	900 076 010 02	hexagon nut M 6		1	
14	901 628 615 00	joint rod		1	
15	901 628 319 02	wiper bearing		1	
16	901 628 913 00	spacer bush		1	
17	901 628 912 00	hexagon nut		1	
18	901 628 911 00	cap		1	
19	901 628 611 00	wiper arm		1	
20	901 628 613 00	wiper blade		1	
-	901 613 043 00	wiper switch rear window wiper		1	
-	901 612 070 05	wiring harness NR. 19 fuse holder wiper switch	/LL	1	

Model	Year	MG	SG	Illustration	Restrictions	Update	12:28	21.08.2006	PORSCHE	PET	PORSCHE
911	73	9	04	904-05		203					

Pos	Part Number	Name	Remarks	Qty	Model	Pos	Part Number	Name	Remarks	Qty	Model
-	911 612 025 00	additional cables tunnel rear window wiper		1							
-	911 612 031 00	wiring harness rear window wiper		1							
-	911 617 105 00	diode		1							
-	999 652 142 40	push-on connector		1							
-	999 702 119 50	rubber sleeve		1							
		- - - E N D - - -									

Model	Year	MG	SG	Illustration	Restrictions	Update	12:28	21.08.2006	PORSCHE	PET	PORSCHE
911	73	9	04	904-10		203					

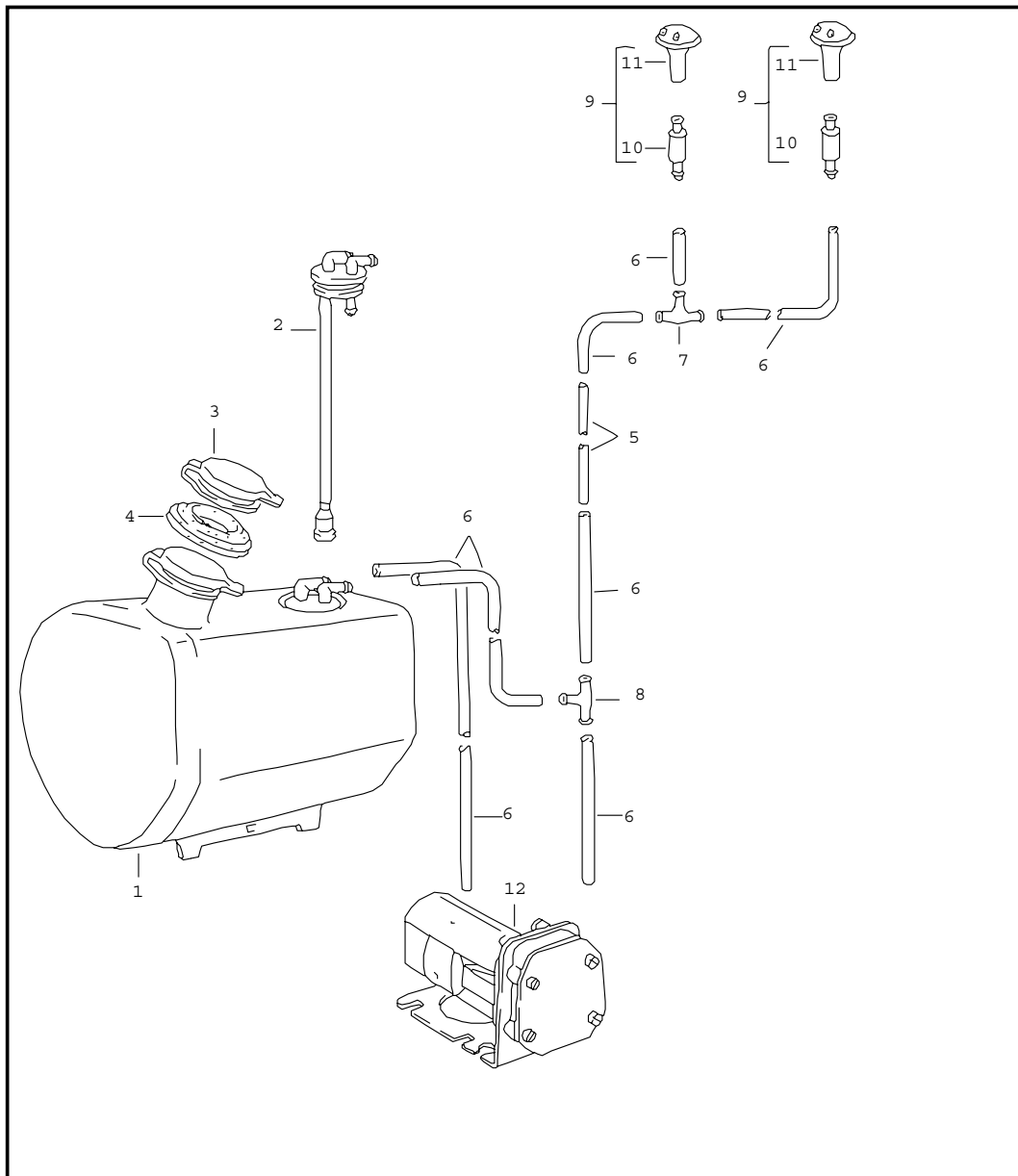


Pos	Part Number	Name	Remarks	Qty	Model
		rear window wiper	/RL M		
1	901 628 062 00	rear window wiper without wiper arm wiper blade		1	
2	911 628 063 00	wiper motor		1	
3	901 628 065 00	wiper frame		1	
4	901 628 338 00	washer		2	
5	999 078 014 02	hexagon nut		2	
6	901 628 339 00	washer		4	
7	900 076 027 02	hexagon nut M 5		2	
8	901 628 320 00	bracket		1	
9	N 010 215 13	hexagon-head bolt M 6 X 15		3	
10	901 628 337 00	support		1	
11	901 628 318 00	lever		1	
12	900 027 014 01	lock ring B 6		1	
13	900 076 010 02	hexagon nut M 6		1	
14	901 628 615 00	joint rod		1	
15	901 628 617 00	wiper bearing		1	
16	901 628 914 00	spring washer		1	
17	901 628 621 00	cap nut		1	
18	901 628 616 00	joint rod		1	
19	901 628 619 00	wiper bearing		1	
20	901 628 913 00	spacer bush		1	
21	901 628 912 00	hexagon nut		1	
22	901 628 911 00	cap		1	
23	901 628 612 00	wiper arm		1	
24	901 628 613 00	wiper blade		1	

Model	Year	MG	SG	Illustration	Restrictions	Update	12:28	21.08.2006	PORSCHE	PET	PORSCHE
911	73	9	04	904-10		203					

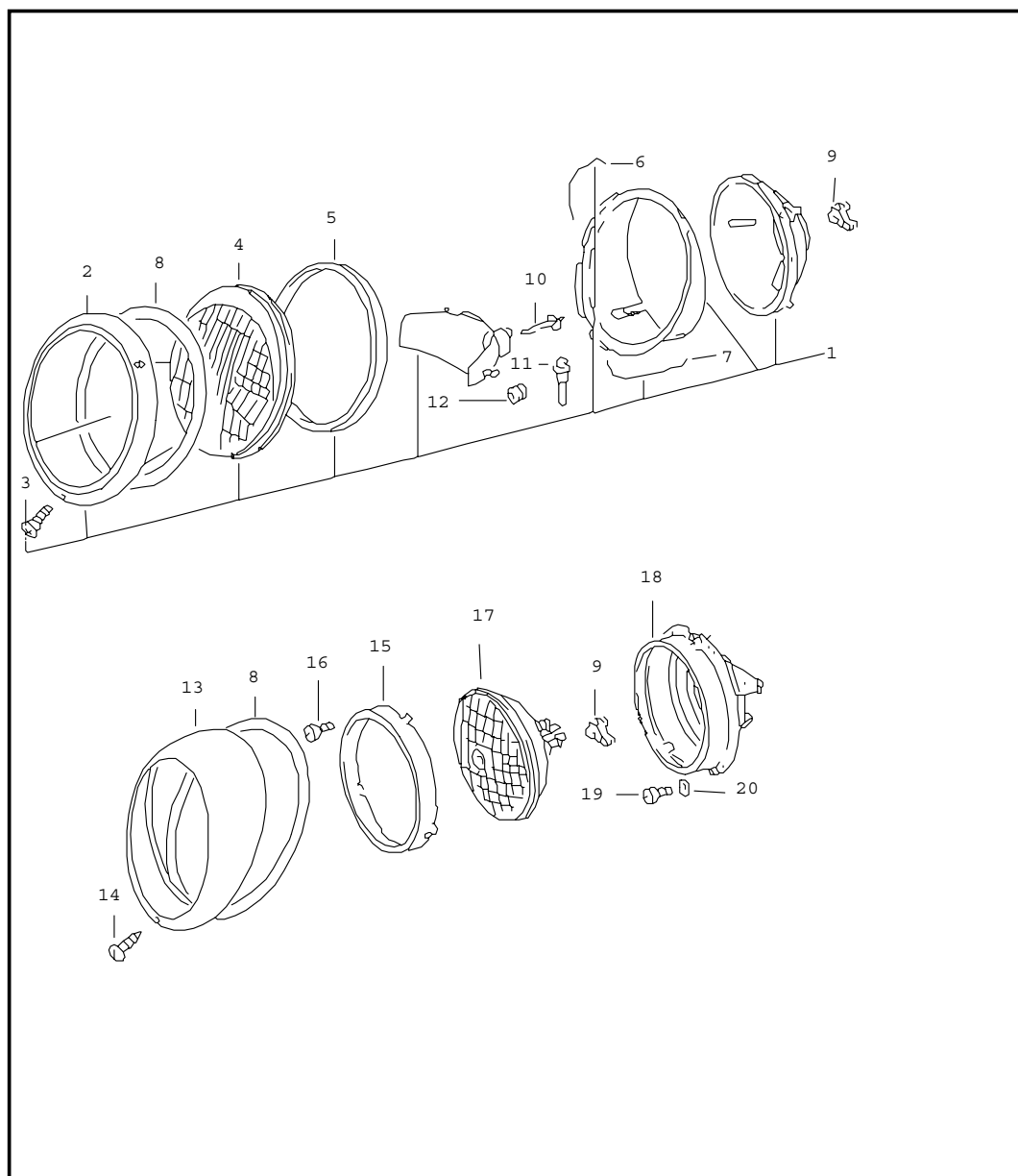
Pos	Part Number	Name	Remarks	Qty	Model	Pos	Part Number	Name	Remarks	Qty	Model
-	901 613 043 00	wiper switch rear window wiper		1							
-	901 612 094 00	wiring harness NR. 62 wiper switch		1							
-	911 612 031 00	wiring harness rear window wiper		1							
-	911 612 063 00	additional cables tunnel rear window wiper		1							
-	911 617 105 00	diode		1							
-	999 652 142 40	push-on connector		1							
-	999 702 119 50	rubber sleeve		1							
		- - - E N D - - -									

Model	Year	MG	SG	Illustration	Restrictions	Update	12:28	21.08.2006	PORSCHE	PET	PORSCHE
911	73	9	04	904-15		203					



Pos	Part Number	Name	Remarks	Qty	Model
		windscreen washer system			
1	901 628 720 26	water reservoir		1	
2	901 628 730 23	cover		1	
3	911 628 167 00	cover		1	
4	901 628 183 00	gasket		1	
5	901 628 739 21	pipe		1	
6	914 628 901 10	hose		X	
7	901 628 745 20	t-piece		1	
8	901 628 749 20	t-piece		1	
9	644 628 741 02	spray nozzle		2	
10	914 628 215 00	valve		2	
11	901 628 741 20	nozzle		2	
-	644 628 905 00	cap		2	
12	928 628 074 01	pump		1	
		- - - E N D - - -			

Model	Year	MG	SG	Illustration	Restrictions	Update	12:28	21.08.2006	PORSCHE	PET	PORSCHE
911	73	9	05	905-00		203					

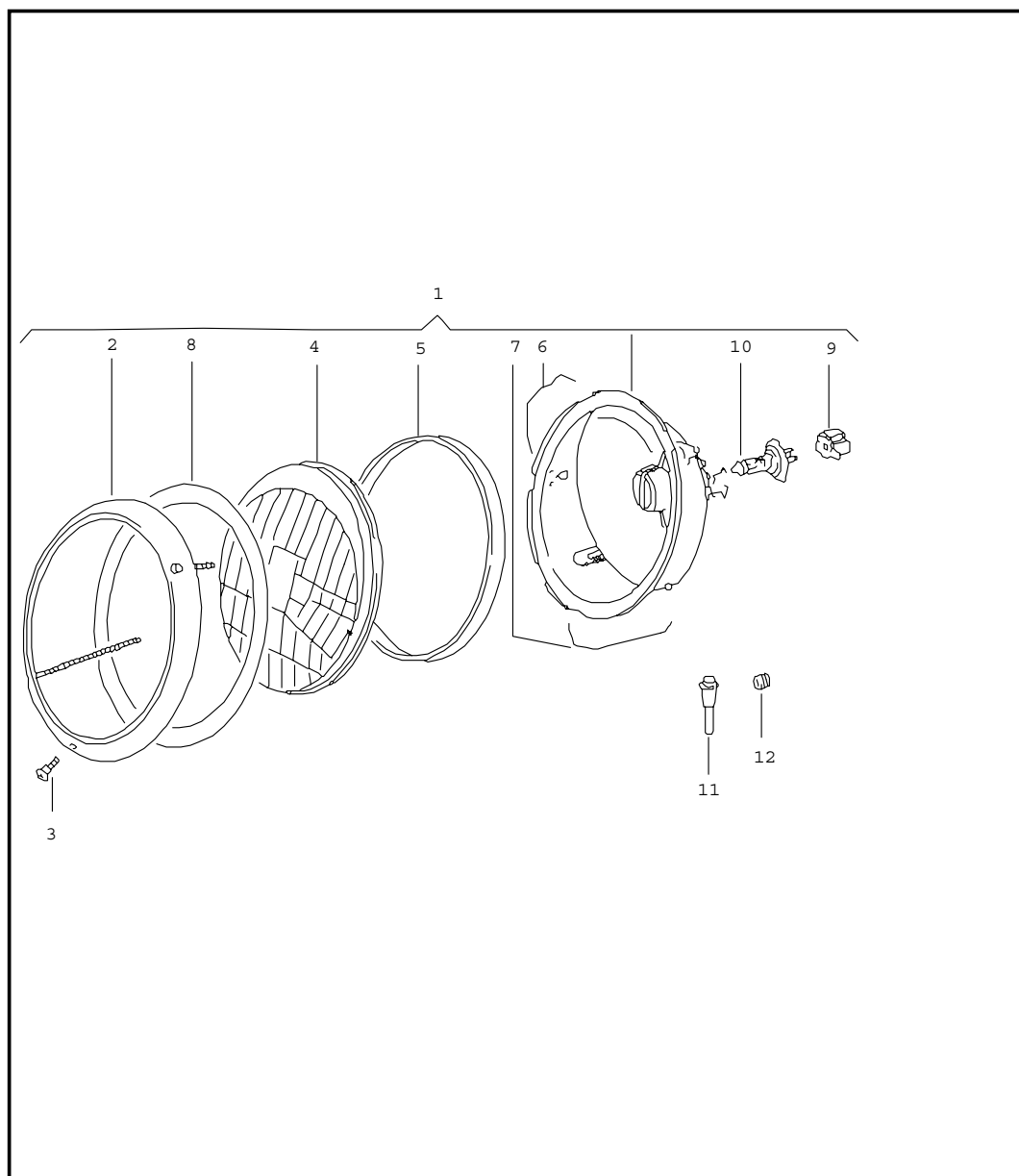


Pos	Part Number	Name	Remarks	Qty	Model
1	911 631 101 00	headlamp			
		headlamp - bosch - asymmetrical lens white not for (USA) (F)	/LL	2	
(1)	911 631 101 01	headlamp - bosch - asymmetrical lens yellow for (F)	/LL	2	
(1)	911 631 112 00	headlamp - bosch - asymmetrical lens white	/RL	2	
2	901 631 102 04	headlamp ring chrome	-72	2	
3	901 631 119 00	fastening screw		2	
4	911 631 111 00	lens white for 911.631.101.00	/LL -72	2	
(4)	911 631 111 01	lens yellow for 911.631.101.01	/LL -72	2	
(4)	911 631 112 00	headlamp white for 911.631.101.02	/RL -72	2	
5	911 631 967 00	gasket		2	
6	901 631 116 02	locking spring		6	
7	644 631 122 00	locking spring		6	
8	901 631 115 21	sealing ring		2	
9	911 631 108 00	terminal sleeve housing - SB -	-71	2	
(9)	911 631 108 00	terminal sleeve housing	72-	2	
10	900 631 125 90	halogen bulb		4	

Model	Year	MG	SG	Illustration	Restrictions	Update	12:28	21.08.2006	PORSCHE	PET	PORSCHE
911	73	9	05	905-00		203					

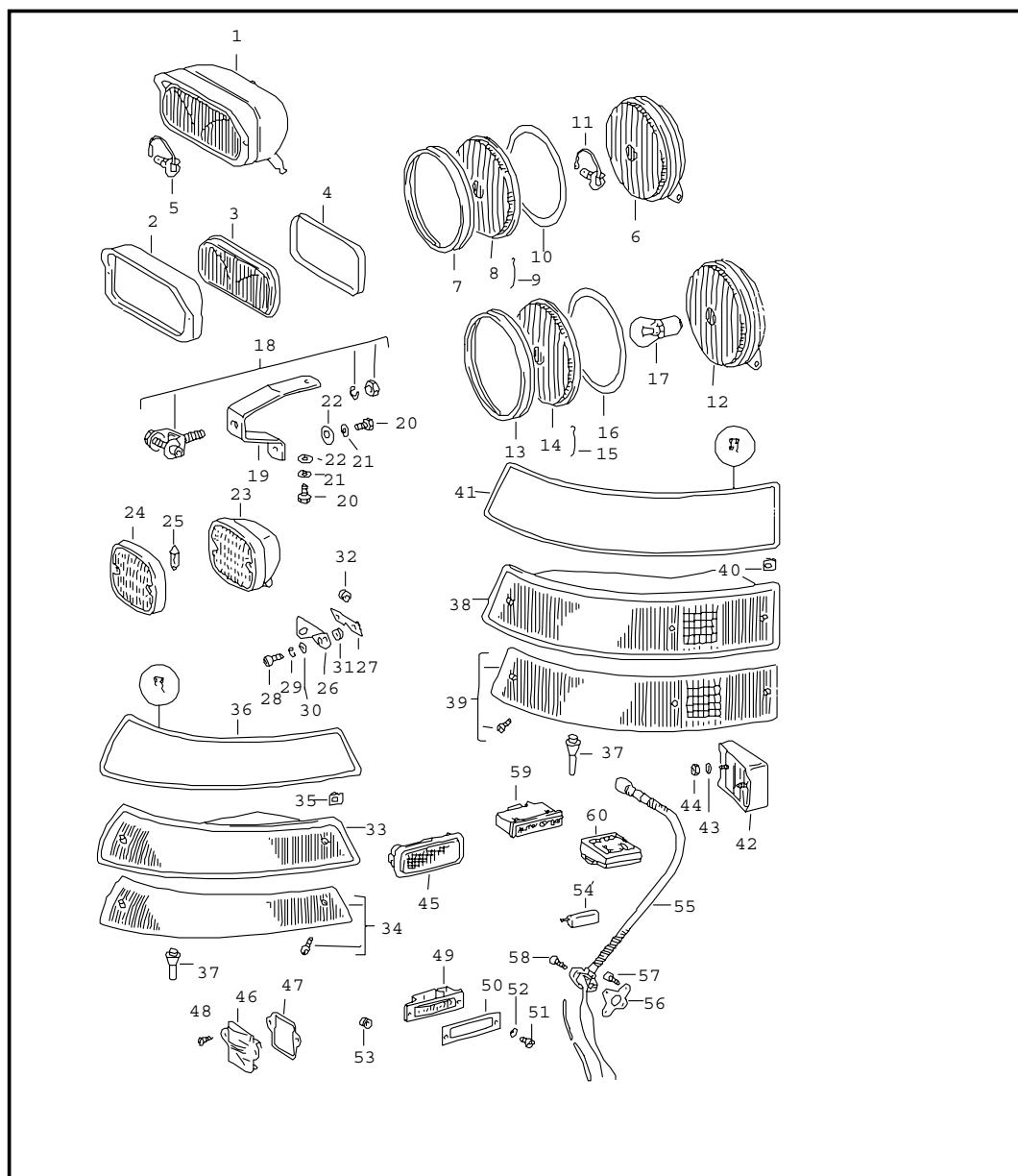
Pos	Part Number	Name	Remarks	Qty	Model	Pos	Part Number	Name	Remarks	Qty	Model
11	911 631 259 02	drain tube		6							
12	999 702 119 50	rubber sleeve		2							
13	901 631 102 05	retaining ring		2							
14	911 631 146 01	lens-head screw AM 5 X 18 Z		2							
15	901 631 102 03	headlamp ring chrome		2							
16	900 016 014 02	half-round screw AM 4 X 8		6							
17	999 631 108 90	headlamp unit "SEALED BEAM" 50/40 WATT	/LL	2							
(17)	999 631 122 90	headlamp unit "SEALED BEAM" 60/50 WATT	/LL	2							
(17)	999 631 121 90	headlamp unit "SEALED BEAM"	/RL	2							
18	901 631 103 02	mounting piece		2							
19	999 014 008 02	cheese-head screw AM 4 X 10		8							
20	900 114 014 01	shake-proof washer A 4,3		8							
		- - - E N D - - -									

Model	Year	MG	SG	Illustration	Restrictions	Update	12:28	21.08.2006	PORSCHE	PET	PORSCHE
911	73	9	05	905-05		203					



Pos	Part Number	Name	Remarks	Qty	Model
		headlamp H 4	72-		
1	911 631 113 00	headlamp not for	/LL	2	(USA)
(1)	911 631 112 00	headlamp	/RL	2	
2	911 631 933 00	headlamp ring chrome		2	
3	901 631 119 00	fastening screw		2	
4	911 631 927 00	lens for 911.631.102.00	/LL	2	
(4)	911 631 927 01	lens for 911.631.102.02	/RL	2	
5	911 631 967 00	gasket		2	
6	901 631 116 02	locking spring		6	
7	644 631 122 00	locking spring		6	
8	901 631 115 21	sealing ring		2	
9	911 631 108 00	terminal sleeve housing		2	
10	999 631 202 90	halogen bulb H 4 12V-60/55 W		2	
(10)	999 631 202 91	halogen bulb H 4 12V-60/55 W yellow for		2	(F)
11	911 631 259 02	drain tube		6	
12	999 702 119 50	rubber sleeve		2	
		- - - E N D - - -			

Model	Year	MG	SG	Illustration	Restrictions	Update	12:29	21.08.2006	PORSCHE	PET	PORSCHE
911	73	9	05	905-10		203					



Pos	Part Number	Name	Remarks	Qty	Model
1	901 631 205 01	lights fog headlamp		2	
(1)	901 631 205 01	fog headlamp with reflector white not for (USA) (NL)		2	
2	901 631 212 01	ring for fog headlamp		2	
3	901 631 211 03	lens	-71	2	
(3)	911 631 995 00	lens and reflector	72-	2	
-	911 631 904 00	fog headlamp yellow 1 set for subsequent installat.		X	
4	901 631 214 01	gasket		2	
5	900 631 126 90	halogen bulb		2	
6	911 631 202 00	fog headlamp with glass white not for (USA) (F) (I)		2	
(6)	911 631 202 10	fog headlamp with reflector yellow for (F)		2	
-	999 652 149 40	cable connection for fog headlamp		1	(CH)
(6)	911 631 121 00	high-beam headlight with glass white not for (USA) (F)		2	

Model	Year	MG	SG	Illustration	Restrictions	Update	12:29	21.08.2006	PORSCHE	PET	PORSCHE
911	73	9	05	905-10		203					

Pos	Part Number	Name	Remarks	Qty	Model	Pos	Part Number	Name	Remarks	Qty	Model
(6)	911 631 121 10	high-beam headlight with glass yellow for (F)		2		-	900 027 005 02	lock ring A 8	72-	4	
(6)	911 631 213 00	fog headlamp with glass white for (I)	-71	2		-	900 076 025 02	hexagon nut M 8	72-	4	
(6)	911 631 211 00	high-beam headlight with glass white for (I)		2		19	901 631 137 00	retaining bow		2	
-	900 631 125 90	halogen bulb H 1 YA 12V-55W for (I)		2		20	900 075 217 02	hexagon-head bolt M 6 X 12		4	
7	901 631 212 00	headlamp ring		2		21	900 114 010 01	shake-proof washer A 6,4		4	
8	901 631 211 00	lens for 911.631.202.00/01/10		2		22	900 151 006 09	washer B 6,4		4	
(8)	901 631 211 01	lens for 911.631.121.00 911.631.211.00		2		23	901 631 251 00	rear fog light not for (USA) (I) (CH) (S) (SV)		1	
(8)	914 631 930 10	lens for 911.631.121.10		2	(F)	24	911 631 251 29	rear fog light with screw and gasket		1	
9	901 631 116 01	locking spring		8		25	900 631 123 90	linolite lamp K 12V 18W		1	
10	901 631 214 00	gasket		2		26	911 631 125 00	angle		1	
11	900 631 126 90	halogen bulb		2		27	911 631 126 00	support		1	
18	901 631 125 00	support		2		28	900 067 009 02	pan-head screw M 6 X 15		2	
-	911 631 124 00	retaining bracket for fog headlamp installation spoiler bumper	72-	2		29	N 012 007 2	lock ring A 6		2	
-	900 075 087 02	hexagon-head bolt M 8 X 16	72-	4		30	N 011 524 7	washer 6,4		2	
						31	999 702 046 50	rubber sleeve 8 X 10 X 7		1	
						32	999 702 020 50	rubber sleeve 8 X 12 X 9		1	
						-	999 652 208 10	cable shoe		1	

Model	Year	MG	SG	Illustration	Restrictions	Update	12:29	21.08.2006	PORSCHE	PET	PORSCHE
911	73	9	05	905-10		203					

Pos	Part Number	Name	Remarks	Qty	Model	Pos	Part Number	Name	Remarks	Qty	Model
33	901 631 401 03	direction indicator light left lens with aluminium rim for EUROPA not for (I)	-72	1		-	PCG 631 936 20	housing right for EUROPA not for (I) it is necessary to rework		1	
(33)	901 631 402 03	direction indicator light right lens with aluminium rim for EUROPA not for (I)	-72	1		(33)	901 631 401 05	direction indicator light left for (I)	-72	1	
(33)	911 631 401 30	direction indicator light left lens with rim black for EUROPA not for (I)	73-	1		(33)	901 631 402 05	direction indicator light right for (I)	-72	1	
(33)	911 631 402 30	direction indicator light right lens with rim black for EUROPA not for (I)	73-	1		(33)	911 631 401 31	direction indicator light left for (I)	73-	1	
-	PCG 631 935 20	housing left for EUROPA not for (I) it is necessary to rework		1		-	PCG 631 935 20	housing left for (I) it is necessary to rework		1	
						-	PCG 631 936 20	housing right for (I) it is necessary to rework		1	
						(33)	901 631 401 07	direction indicator light left for (DK) (J) (N)	71	1	
						(33)	901 631 402 07	direction indicator light right for (DK) (J) (N)	71	1	
						-	900 631 127 90	bulb 12V 21W		4	
						-	900 631 103 90	linolite lamp 12V 4W		2	

Model	Year	MG	SG	Illustration	Restrictions	Update	12:29	21.08.2006	PORSCHE	PET	PORSCHE
911	73	9	05	905-10		203					

Pos	Part Number	Name	Remarks	Qty	Model	Pos	Part Number	Name	Remarks	Qty	Model
34	911 631 921 03	lens rim aluminium left for 901.631.401.03/07		1		(34)	911 631 921 03	lens rim aluminium left for 911.631.401.03	71	1	
(34)	911 631 922 03	lens rim aluminium right for 901.631.402.03/07		1		(34)	911 631 922 03	lens rim aluminium right for 911.631.402.03	71	1	
(34)	901 631 903 04	lens rim aluminium left for 901.631.401.04	-72	1		(34)	911 631 943 00	lens rim black left for EUROPA	73-	1	
(34)	901 631 904 04	lens rim aluminium right for 901.631.402.04	-72	1		(34)	911 631 944 00	lens rim black right for EUROPA	73-	1	
(34)	901 631 903 05	lens rim aluminium left for 901.631.401.05	-72	1		35	999 507 312 12	klips nut lock		8	
(34)	901 631 904 05	lens rim aluminium right for 901.631.402.05	-72	1		(36)	911 631 970 01	gasket left		1	
(34)	911 631 943 00	lens rim black left for (I)	73-	1		(36)	911 631 970 00	gasket right		1	
(34)	911 631 944 00	lens rim black left for (I)	73-	1		37	911 631 259 02	drain tube		6	
						38	901 631 403 03	rear light left for EUROPA not for (F)		1	
						(38)	911 631 403 03	rear light left for EUROPA not for (F)	-72	1	
						(38)	911 631 403 30	rear light left for EUROPA	73-	1	

Model	Year	MG	SG	Illustration	Restrictions	Update	12:29	21.08.2006	PORSCHE	PET	PORSCHE
911	73	9	05	905-10		203					

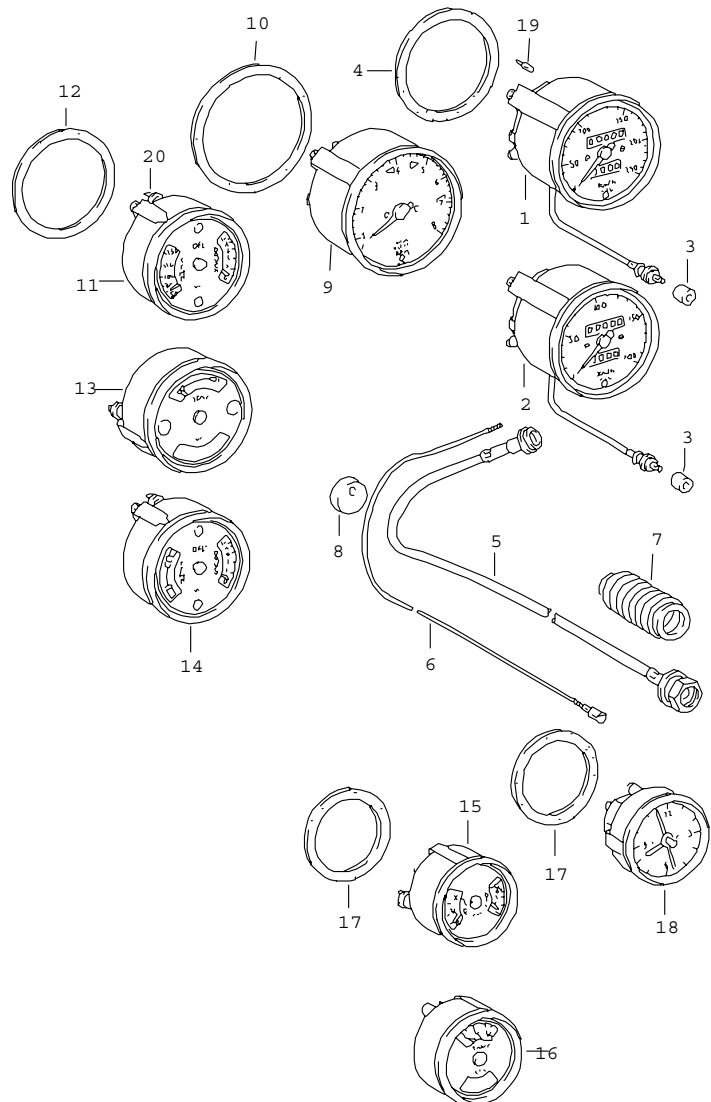
Pos	Part Number	Name	Remarks	Qty	Model	Pos	Part Number	Name	Remarks	Qty	Model
-	911 631 939 00	housing left for EUROPA		1		39	911 631 923 03	lens left for 901.631.403.03		1	
(38)	901 631 404 03	rear light right for EUROPA not for (F)		1		(39)	911 631 924 03	lens right for 901.631.404.03		1	
(38)	911 631 404 03	rear light right for EUROPA not for (F)	-72	1		(39)	901 631 905 05	lens left for 901.631.403.05		1	
(38)	911 631 404 30	rear light right for EUROPA	73-	1		(39)	901 631 906 05	lens right for 901.631.404.05		1	
-	911 631 940 00	housing right for EUROPA		1		(39)	901 631 906 04	lens right for 901.631.404.04	-72	1	
(38)	901 631 403 05	rear light left for (F)		1		(39)	911 631 923 03	lens left for 911.631.403.03	-72	1	
(38)	911 631 403 05	rear light left for (F)	-72	1		(39)	911 631 924 03	lens right for 911.631.404.03	-72	1	
(38)	901 631 404 05	rear light right for (F)		1		(39)	911 631 925 05	lens left for 911.631.403.05	-72	1	
(38)	911 631 404 05	rear light right for (F)	-72	1		(39)	911 631 926 05	lens right for 911.631.404.05	-72	1	
-	900 631 128 90	bulb 12V 21/5W		2		(39)	911 631 949 00	lens left for EUROPA	73-	1	
-	N 017 731 2	bulb 12V 15W		2		(39)	911 631 950 00	lens right for EUROPA	73-	1	
						40	999 507 312 12	cable holder		4	

Model	Year	MG	SG	Illustration	Restrictions	Update	12:29	21.08.2006	PORSCHE	PET	PORSCHE
911	73	9	05	905-10		203					

Pos	Part Number	Name	Remarks	Qty	Model	Pos	Part Number	Name	Remarks	Qty	Model
41	911 631 971 01	gasket left	-72	1		(51)	900 146 011 02	oval-head screw AM 4 X 10		4	
(41)	911 631 971 01	gasket left	73-	1		52	999 523 105 00	lock washer		4	
(41)	911 631 971 00	gasket right	-72	1		53	999 702 015 50	grommet		1	
(41)	911 631 971 00	gasket right	73-	1		54	911 632 113 00	ashtray light		1	
42	901 633 010 00	reflector		2		55	901 632 102 01	interior light	70	1	
43	N 012 005 3	lock ring B 5	70	4		56	901 632 155 01	mounting plate	70	1	
(43)	900 025 003 02	washer 5,3	71-	4		57	900 140 015 02	oval-head sheetmetal screw B 3,5 X 9,5	70	3	
44	900 076 027 02	hexagon nut M 5	70	4		58	900 019 028 02	rais. counters. h. tap. s. AM 3 X 15	70	2	
(44)	999 090 002 02	lock nut M 5	71-	4				- - - E N D - - -			
45	901 632 103 00	interior light roll bar glove compartment		2	TARGA						
(45)	901 632 101 28	interior light		2							
-	964 555 153 00	desk pad		2							
(45)	911 632 103 00	interior light		1							
-	900 631 106 90	linolite lamp 12V 10W		2							
46	901 632 201 01	luggage boot lamp		X							
-	900 631 104 90	bulb 12V 5W		2							
47	901 632 291 00	desk pad		X							
48	N 013 961 2	tapping screw B 3,9 X 13		X							
49	901 631 601 00	license plate light		2							
-	900 631 103 90	bulb 12V 4W		2							
50	901 631 605 00	desk pad		2							
51	900 146 011 02	oval-head screw AM 4 X 10		4							

Model	Year	MG	SG	Illustration	Restrictions	Update	12:29	21.08.2006	PORSCHE	PET	PORSCHE
911	73	9	06	906-00		203					

Pos	Part Number	Name	Remarks	Qty	Model
1	911 641 501 00	instruments speedometer 10-250 KM/H		1	
(1)	911 641 503 00	speedometer 10-300 KM/H	72-	1	CARRERA 2.7
(1)	911 641 530 00	speedometer 10-300 KM/H for / 50 tyre		1	
2	911 641 502 00	speedometer M/PH	70	1	
(2)	911 641 506 00	speedometer M/PH	71-	1	
3	901 741 191 22	knob		1	
4	911 641 902 00	rubber ring § 100 MM		2	
5	901 741 111 01	drive shaft	-71	1	
(5)	911 641 510 00	drive shaft	72-	1	
6	901 741 112 01	shaft exchange		1	
7	901 741 291 00	sealing bellows	-71	1	
(7)	911 641 520 00	sealing bellows	72	1	
8	901 741 293 00	seal		1	
9	911 641 301 00	tachometer	70	1	911 T
(9)	911 641 301 01	tachometer	71-	1	911 T
(9)	911 641 302 00	tachometer	70	1	911 E
(9)	911 641 302 01	tachometer	71-	1	911 E
(9)	911 641 303 00	tachometer	70	1	911 S
(9)	911 641 303 01	tachometer	71-	1	911 S CARRERA 2.7
-	901 602 601 00	ballast resistor for -BHKZ-	70	1	
10	911 641 903 00	rubber ring § 115 MM		1	



Model	Year	MG	SG	Illustration	Restrictions	Update	12:29	21.08.2006	PORSCHE	PET	PORSCHE
911	73	9	06	906-00		203					

Pos	Part Number	Name	Remarks	Qty	Model	Pos	Part Number	Name	Remarks	Qty	Model
11	911 641 103 00	instrument cluster \$ 100 MM german		1	911 E/S	19	900 631 102 90	bulb J 12V-2W		12	
(11)	911 641 104 00	instrument cluster \$ 100 MM english		1	911 E/S	20	999 632 007 00	bulb holder with flat plug		X	
12	911 641 902 00	rubber ring \$ 100 MM		1		(20)	999 632 009 10	bulb holder with 2 flat plug		X	
13	911 641 102 00	instrument cluster \$ 100 MM		1	911 T	-	901 612 043 03	wiring harness for instruments illumination with 7		1	
14	911 641 105 00	instrument cluster \$ 100 MM german		1	911 T/E SPM			bulb holder			
(14)	911 641 106 00	instrument cluster \$ 100 MM english		1	911 T/E SPM	-	999 632 003 00	bulb holder		7	
15	911 641 202 00	instrument cluster \$ 80 MM for 60 L fuel tank	-71	1		-	999 652 161 10	tubular rivet		7	
(15)	911 641 202 01	instrument cluster \$ 80 MM for 60 L fuel tank	72-	1				- - - E N D - - -			
(15)	911 641 206 00	instrument cluster \$ 80 MM for 100 L fuel tank	70	1	911 T/E/S						
16	911 641 201 00	instrument cluster \$ 80 MM for 60 L fuel tank		1	911 T						
17	911 641 901 00	rubber ring \$ 80 MM		2							
18	911 641 701 00	clock \$ 80 MM	-72	1							
(18)	911 641 701 29	clock \$ 80 MM	73-	1							
-	911 552 205 00	cover for clock		1							

Model	Year	MG	SG	Illustration	Restrictions	Update	12:29	21.08.2006
911	73	9	98	998-00		203		

Pos	Part Number	Name	Remarks	Qty	Model
		installation set for subsequent installat. engine compartment lamp rear window wiper			
>>	> 901 631 901 20	engine compartment lamp installation set for subsequent installat. comprising:		1	
-	911 631 315 01	engine compartment lamp		1	
-	900 631 106 90	linolite lamp		1	
-	901 631 391 00	retaining belt		1	
-	900 019 024 02	oval-head screw AM 4 X 10		4	
-	900 025 002 02	washer 4,3		2	
-	900 027 011 01	lock ring B 4		2	
-	N 011 004 6	hexagon nut M 4		2	
-	999 507 311 12	klips nut lock		2	
-	901 612 315 20	wiring harness		1	
		rear window wiper			
>>	> 911 628 901 00	rear window wiper complete installation set for subsequent installat. comprising:	/LL	1	
-	901 628 611 00	wiper arm		1	
-	901 628 061 01	rear window wiper complete		1	
-	901 628 613 00	wiper blade		1	
-	911 612 031 00	wiring harness NR. 31		1	
-	999 702 119 50	rubber sleeve		1	
-	911 612 025 00	additional cables NR. 25 tunnel		1	
-	901 612 070 05	wiring harness NR. 19 fuse box wiper switch		1	

Model	Year	MG	SG	Illustration	Restrictions	Update	12:29	21.08.2006
911	73	9	98	998-00		203		

Pos	Part Number	Name	Remarks	Qty	Model
-	999 652 142 40	push-on connector		1	
-	999 702 046 50	grommet		1	
-	999 651 152 02	cable clamp		3	
-	999 911 084 40	pipng		1	
-	901 613 043 00	switch		1	
-	911 617 105 00	diode		1	
>>	> 911 628 902 00	rear window wiper installation set for subsequent installat. comprising:	/RL	1	
-	901 628 062 00	rear window wiper complete		1	
-	901 628 612 00	wiper arm		1	
-	911 612 031 00	wiring harness NR. 31		1	
-	901 628 613 00	wiper blade		1	
-	999 702 119 50	rubber sleeve		1	
-	911 612 063 00	additional cables NR. 63 tunnel		1	
-	901 612 094 00	wiring harness NR. 62 fuse holder wiper switch		1	
-	999 652 142 40	push-on connector		1	
-	999 702 046 50	grommet		1	
-	999 651 152 02	cable clamp		1	
-	999 911 084 40	pipng		1	
-	901 613 043 00	switch rear window wiper		1	
-	911 617 105 00	diode		1	
- - - E N D - - -					

Model	Year	MG	SG	Illustration	Restrictions	Update	12:29	21.08.2006
911	73	9	98	998-05		203		

Pos	Part Number	Name	Remarks	Qty	Model
		installation set for subsequent installat. fog headlamp rear fog light additional headlamp			
>>	> 911 631 902 00	fog headlamp yellow round 1 set for subsequent installat. comprising:		1	
-	911 631 202 10	fog headlamp		2	
-	900 631 126 90	bulb		2	
-	999 703 067 50	grommet		1	
-	999 652 235 10	cable shoe		2	
-	901 631 125 00	support		2	
-	901 631 137 00	clip		2	
-	900 075 217 02	screw M 6 X 12		4	
-	999 652 116 02	retaining bracket		4	
-	999 652 160 40	sleeve		4	
-	901 559 431 28	grille left		1	
-	901 559 432 28	grille right		1	
-	911 612 027 00	wiring harness NR. 27		1	
-	911 615 109 01	standard type relay		1	
-	911 613 027 00	switch		1	
-	900 631 102 90	bulb		1	
-	911 613 213 00	rose		1	
>>	> 911 631 905 00	fog headlamp white 1 set for subsequent installat. comprising:		1	
-	901 631 205 01	fog headlamp		2	
-	900 631 125 90	halogen bulb		2	

Model	Year	MG	SG	Illustration	Restrictions	Update	12:29	21.08.2006
911	73	9	98	998-05		203		

Pos	Part Number	Name	Remarks	Qty	Model
-	928 101 303 00	washer 10,5		2	
-	999 652 235 10	cable shoe		1	
-	911 615 109 01	relay		1	
-	911 612 027 00	wiring harness NR. 27		1	
-	911 613 027 00	switch		1	
-	900 631 102 90	bulb		1	
-	911 613 213 00	rose		1	
-	999 703 067 50	grommet		1	
-	999 652 116 02	angled pipe		1	
-	901 612 064 00	wiring harness NR. 58		1	
-	901 612 063 00	wiring harness NR. 59		1	
-	999 652 160 40	sleeve		2	
>>	> 901 631 912 03	fog headlamp white round 1 set for subsequent installat. comprising:		1	
-	901 631 202 01	fog headlamp		2	
-	901 631 125 00	support		2	
-	900 631 126 90	halogen bulb		2	
-	999 652 106 02	flat receptacle		2	
-	999 652 235 10	cable shoe		2	
-	901 631 137 00	retaining bow		2	
-	900 151 006 09	washer B 6,4		4	
-	900 114 010 01	shake-proof washer A 6,4		4	
-	900 075 010 02	hexagon-head bolt M 6 X 12		4	
-	911 613 027 00	switch		1	
-	911 613 213 00	rose plastic material		1	

Model	Year	MG	SG	Illustration	Restrictions	Update	12:29	21.08.2006
911	73	9	98	998-05		203		

Pos	Part Number	Name	Remarks	Qty	Model
-	901 552 827 00	cap		1	
-	901 613 802 00	cap with symbol		1	
-	901 612 010 00	additional cables NR. 27		1	
-	911 615 109 01	relay		1	
-	901 559 431 28	grille left		1	
-	901 559 432 28	grille right		1	
>>	> 911 631 903 00	fog headlamp white round 1 set for subsequent installat. comprising:		1	
-	911 631 202 00	fog headlamp		2	
-	900 631 126 90	halogen bulb		2	
-	999 703 067 50	grommet		1	
-	999 652 235 10	cable shoe		2	
-	901 631 125 00	support		2	
-	901 631 137 00	retaining bow		2	
-	900 075 217 02	hexagon-head bolt M 6 X 12		4	
-	999 652 116 02	retaining bracket		4	
-	999 652 160 40	sleeve		4	
-	901 559 431 28	grille left		1	
-	901 559 432 28	grille right		1	
-	911 612 027 00	additional cables NR. 27		1	
-	911 615 109 01	relay		1	
-	911 613 027 00	switch		1	
-	900 631 102 90	halogen bulb		1	
-	911 613 213 00	rose plastic material		1	

Model	Year	MG	SG	Illustration	Restrictions	Update	12:29	21.08.2006
911	73	9	98	998-05		203		

Pos	Part Number	Name	Remarks	Qty	Model
>>	> 911 631 904 00	fog headlamp yellow 1 set for subsequent installat. comprising:		1	
-	901 631 205 01	fog headlamp		2	
-	900 631 126 90	bulb		2	
-	928 101 303 00	washer 10,5		2	
-	999 652 235 10	cable shoe		2	
-	911 615 109 01	relay		2	
-	911 612 027 00	wiring harness NR. 27		1	
-	911 613 027 00	switch		1	
-	900 631 102 90	bulb		1	
-	911 613 213 00	rose		1	
-	999 703 067 50	grommet		1	
-	999 652 116 02	angled pipe		2	
-	901 612 064 00	wiring harness NR. 58		1	
-	901 612 063 00	wiring harness NR. 59		1	
-	999 652 160 40	sleeve		2	
>>	> 901 631 025 00	rear fog light 1 set for subsequent installat. comprising:		1	
-	901 631 251 00	rear fog light		1	
-	900 631 123 90	linolite lamp		1	
-	911 631 125 00	angle		1	
-	900 067 009 02	pan-head screw M 6 X 15		2	
-	N 011 524 7	washer 6,4		2	
-	900 027 014 01	lock ring A 6		2	
-	911 631 126 00	retaining ring for rear fog light		1	

Model	Year	MG	SG	Illustration	Restrictions	Update	12:29	21.08.2006
911	73	9	98	998-05		203		

Pos	Part Number	Name	Remarks	Qty	Model
-	999 702 046 50	rubber sleeve 8 X 10 X 7		1	
-	999 702 020 50	rubber sleeve 8 X 12 X 9		2	
-	999 513 002 40	tie-wrap		1	
-	911 612 026 00	wiring harness NR. 26 for switch for rear fog light		1	
-	911 612 040 00	wiring harness NR. 40 for rear fog light		1	
-	999 615 010 40	insulating hose		1	
-	999 652 208 10	cable shoe		1	
-	901 612 064 00	wiring harness NR. 58		1	
-	911 612 027 00	wiring harness NR. 27		1	
-	911 613 027 00	switch		1	
-	911 613 213 00	rose		1	
-	999 703 067 50	plug		1	
>>	> 911 631 901 00	additional headlamp round 1 set for subsequent installat. comprising:		1	
-	911 631 121 00	additional headlamp		2	
-	900 631 126 90	halogen bulb		2	
-	999 652 116 02	angled pipe		1	
-	999 652 160 40	sleeve		4	
-	901 631 125 00	support		1	
-	900 075 217 02	screw M 6 X 12		4	
-	901 631 137 00	clip		2	
-	901 559 431 28	grille left		1	
-	901 559 432 28	grille right		1	

PORSCHE

PET

PORSCHE

Model	Year	MG	SG	Illustration	Restrictions	Update		
911	73	9	98	998-05		203	12:29	21.08.2006

Pos	Part Number	Name	Remarks	Qty	Model
-	911 612 073 00	cable NR. 75		1	
-	911 615 109 01	relay		1	
-	901 631 090 11	box with bulbs		1	
		- - - E N D - - -			

Model	Year	MG	SG	Illustration	Restrictions	Update	12:30	21.08.2006
911	73	9	98	998-10		203		

Pos	Part Number	Name	Remarks	Qty	Model
		installation set for subsequent installat. battery high voltage condenser ignition system - BOSCH -			
>>	> 901 602 010 00	installation set battery high voltage condenser ignition system - BOSCH - comprising:	70	1	
-	901 602 702 00	switch unit		1	
-	901 602 502 00	ignition transformer		1	
-	901 602 601 00	ballast resistor		1	
-	901 612 092 00	wiring harness		1	
-	901 612 099 00	ground strap		1	
-	901 501 130 00	retaining bracket		1	
-	999 513 002 40	hose clamp 4,8 X 186		2	
-	900 067 008 02	hexagon socket head bolt M 6 X 12		1	
-	900 067 010 01	hexagon socket head bolt M 6 X 18		2	
-	900 075 010 02	hexagon-head bolt M 6 X 12		2	
-	900 027 014 01	lock ring B 6		5	
-	900 076 010 02	nut M 6		4	
-	900 151 006 09	washer B 6,4		3	
		- - - E N D - - -			

Model	Year	MG	SG	Illustration	VIN No.	Update		
911	73	9	98	998-10		203	12:30	21.08.2006

TR203

THIS PARTS CATALOGUE CONTAINS ALL ORDER INFORMATION OF
TYPE 911 FROM MODEL YEAR 1970 TO MODEL YEAR 1973

IT IS AVAILABLE IN TWO EDITIONS IN THE FOLLOWING LANGUAGES:

EDITION

USA, CANADA - *

EDITION

ALL OTHER COUNTRIES - GERMAN

* - ENGLISH

- FRENCH

- ITALIAN

- SPANISH

UPDATING IS BEING PERFORMED BY CHANGING OF UPDATE.

THE EDITION CAN BE RECOGNIZED BY THE CURRENT NO.
YEAR IN THE BOTTOM LINE OF SUBJECT UPDATE.

THE PREVIOUS UPDATE SHOULD NO LONGER BE USED.

ALL ILLUSTRATIONS ARE SUBJECT TO CHANGE WITHOUT OBLIGATION.

"WE RESERVE THE RIGHT TO SUPPLY A SUBSEQUENTLY
PRODUCED COMPONENT, ON WHICH ADDITIONAL WORK
IS NECESSARY, INSTEAD OF THE COMPONENT LISTED IN
THE CATALOGUE"

ALL ILLUSTRATIONS ARE SUBJECT TO
CHANGE WITHOUT OBLIGATION.

Model	Year	MG	SG	Illustration	VIN No.	Update	12:30	21.08.2006
911	73	9	98	998-10		203		

FR203

VEHICULE TYPE	MY	VIN	ENGINE TYPE
911 T COUPE	70	91101 00001>>	911.03/911.06 SPM
911 T TARGA	70	91101 10001>>	911.03/911.06 SPM
911 E COUPE	70	91102 00001>>	911.01
911 E TARGA	70	91102 10001>>	911.01
911 E COUPE	70	91102 20001>>	911.04 SPM
911 S COUPE	70	91103 00001>>	911.02
911 S TARGA	70	91103 10001>>	911.02
911 T COUPE (USA) (CDN)	70	91101 20001>>	911.07/911.08 SPM
911 T COUPE	71	91111 00001>>	911.03/911.06 SPM
911 T TARGA	71	91111 10001>>	911.03/911.06 SPM
911 E COUPE	71	91112 00001>>	911.01/911.04 SPM
911 E TARGA	71	91112 10001>>	911.01/911.04 SPM
911 S COUPE	71	91113 00001>>	911.02
911 S TARGA	71	91113 10001>>	911.02
911 T COUPE (USA) (CDN)	71	91111 20001>>	911.07/911.08 SPM
911 TV COUPE	72	91125 00001>>	911.57/911.67 SPM
911 TV TARGA	72	91125 10001>>	911.57/911.67 SPM
911 E COUPE	72	91122 00001>>	911.52/911.62 SPM
911 E TARGA	72	91122 10001>>	911.52/911.62 SPM
911 S COUPE	72	91123 00001>>	911.53/911.63 SPM
911 S TARGA	72	91123 10001>>	911.53/911.63 SPM
911 TE COUPE (USA) (CDN)	72	91121 00001>>	911.51/911.61 SPM
911 TE TARGA (USA) (CDN)	72	91121 10001>>	911.51/911.61 SPM
911 TV COUPE	73	91135 00001>>	911.57/911.67 SPM
911 TV TARGA	73	91135 10001>>	911.57/911.67 SPM
911 E COUPE	73	91132 00001>>	911.52/911.62 SPM
911 E TARGA	73	91132 10001>>	911.52/911.62 SPM
911 S COUPE	73	91133 00001>>	911.53/911.63 SPM
911 S TARGA	73	91133 10001>>	911.53/911.63 SPM
911 CARRERA COUPE	73	91136 00001>>	911.83
911 TE COUPE (USA) (CDN)	73	91131 00001>>	911.51/911.61 SPM
911 TE TARGA (USA) (CDN)	73	91131 10001>>	911.51/911.61 SPM
911 TK COUPE (USA) (CDN)	73	91131 01501>>	911.91/911.96 SPM
911 TK TARGA (USA) (CDN)	73	91131 11001>>	911.91/911.96 SPM

PET V-Pages

Model	Year	MG	SG	Illustration	VIN No.	Update	12:30	21.08.2006
911	73	9	98	998-10		203		

MR203

VEHICLE TYPE	ENGINE TYPE	MY	ENGINE NO.	TECHNICAL DATA
911 T	911.03	70	610 0001>>	6ZYL// 92KW
911 T SPM	911.06	70	610 3001>>	6ZYL// 92KW
911 E	911.01	70	620 0001>>	6ZYL//114KW
911 E SPM	911.04	70	620 8001>>	6ZYL//114KW
911 S	911.02	70	630 0001>>	6ZYL//132KW
911 T (USA) (CDN)	911.07	70	610 5001>>	6ZYL// 92KW
911 T SPM (USA) (CDN)	911.08	70	610 8001>>	6ZYL// 92KW
911 T	911.03	71	611 0001>>	6ZYL// 92KW
911 T SPM	911.06	71	611 9001>>	6ZYL// 92KW
911 E	911.01	71	621 0001>>	6ZYL//114KW
911 E SPM	911.04	71	621 8001>>	6ZYL//114KW
911 S	911.02	71	631 0001>>	6ZYL//132KW
911 T (USA) (CDN)	911.07	71	611 4001>>	6ZYL// 92KW
911 T SPM (USA) (CDN)	911.08	71	611 9501>>	6ZYL// 92KW
911 TV	911.57	72	652 0001>>	6ZYL// 96KW
911 TV SPM	911.67	72	652 9001>>	6ZYL// 96KW
911 E	911.52	72	622 0001>>	6ZYL//121KW
911 E SPM	911.62	72	622 9001>>	6ZYL//121KW
911 S	911.53	72	632 0001>>	6ZYL//140KW
911 S SPM	911.63	72	632 9001>>	6ZYL//140KW
911 TE (USA) (CDN)	911.51	72	612 0001>>	6ZYL//103KW
911 TE SPM (USA) (CDN)	911.61	72	612 9001>>	6ZYL//103KW
911 TV	911.57	73	653 0001>>	6ZYL// 96KW
911 TV SPM	911.67	73	653 9001>>	6ZYL// 96KW
911 E	911.52	73	623 0001>>	6ZYL//121KW
911 E SPM	911.62	73	623 9001>>	6ZYL//121KW
911 S	911.53	73	633 0001>>	6ZYL//140KW
911 S SPM	911.63	73	633 9001>>	6ZYL//140KW
911 CARRERA	911.83	73	663 0001>>	6ZYL//155KW
911 TE (USA) (CDN)	911.51	73	613 0001>>	6ZYL//103KW
911 TE SPM (USA) (CDN)	911.61	73	613 9001>>	6ZYL//103KW
911 TK (USA) (CDN)	911.91	73	613 3001>>	6ZYL//103KW
911 TK SPM (USA) (CDN)	911.96	73	613 9301>>	6ZYL//103KW

PET V-Pages

Model	Year	MG	SG	Illustration	VIN No.	Update	12:30	21.08.2006
911	73	9	98	998-10		203		

GR203

VEHICLE TYPE	TRANSM. TYPE	MY	TRANSMISSION NO.	TECHNICAL DATA
911 T/911 T (USA) (CDN)	911.00	70	700 0001>>	4-SPEED
911 T/911 E/911 S	911.01	70	710 0001>>	5-SPEED
911 T/911 E/ 911 T (USA) (CDN)	905.20	70	720 0001>>	4-SPEED SPM
911 T/911 T (USA) (CDN)	911.00	71	701 0001>>	4-SPEED
911 T/911 E/911 S	911.01	71	711 0001>>	5-SPEED
911 T/911 E/ 911 T (USA) (CDN)	905.20	71	721 0001>>	4-SPEED SPM
911 TV/911 E/911 S/ 911 TE (USA) (CDN)	915.12	72	722 0001>>	4-SPEED
911 TV/911 E/911 S/ 911 TE (USA) (CDN)	915.02	72	732 0001>>	5-SPEED
911 TV	905.21	72	742 0001>>	4-SPEED SPM
911 E/911 TE (USA) (CDN)	925.00	72	762 0001>>	4-SPEED SPM
911 S	925.01	72	762 0401>>	4-SPEED SPM
911 TV/911 E/911 S/ 911 TE (USA) (CDN) / 911 TK (USA) (CDN)	915.12	73	723 0001>>	4-SPEED
911 TV/911 E/911 S/ 911 TE (USA) (CDN) / 911 TK (USA) (CDN)	915.02	73	733 0001>>	5-SPEED
911 TV	905.21	73	743 0001>>	4-SPEED SPM
911 E/911TE (USA) (CDN) / 911 TK (USA) (CDN)	925.00	73	763 0001>>	4-SPEED SPM
911 S	915.08	73	783 0001>>	5-SPEED

PET V-Pages

Model	Year	MG	SG	Illustration	VIN No.	Update	12:30	21.08.2006
911	73	9	98	998-10		203		

TR203

LEGENDS AND NOTICES

=====

IN COLUMN -S- STATUS

- N NEW ADDITION
- P PART ALREADY IN PROGRAMME, BUT NEW AT THIS APPLICATION
- E THIS PART NO. IS NO LONGER AVAILABLE FROM PORSCHE
- W DELETED AT THIS APPLICATION, BUT CONTINUED, TO BE CARRIED
- A STOCK TO BE USED UP
- U DELETED WITHOUT REPLACEMENT
- * PART ALSO OR ONLY AVAILABLE IN REPAIR KIT
- > ALSO AVAILABLE IN EXCHANGE

IN COLUMN - ILL. -

- 1 IDENTIFICATION NO. IN ILLUSTRATION
- (1) PART ONLY SIMILAR AS ILLUSTRATED
- PART IS NOT ILLUSTRATED

FIG.-NUMBERS FOR WHICH THERE IS SHOWN NO TEXT ARE NOT VALID FOR THIS EDITION OF CATALOGUE

IN COLUMN -PART NUMBER/CODE-

000 000 000 00 PART NUMBER EQUALS ORDERING NO., IF A CODE IS SHOWN, IT WILL HAVE TO BE PART OF ORDERING NUMBER

01C COLOUR CODE

IN COLUMN -TEXT

INSTALLATION WITH ENGINE OR CHASSIS NUMBER-RANGE

EXAMPLE:

M 640 0391 >> FROM ENGINE NO.
 F >> 914043 0391 UP TO CHASSIS NO.

PET V-Pages

Model	Year	MG	SG	Illustration	VIN No.	Update	12:31	21.08.2006
911	73	9	98	998-10		203		

TR203

IN COLUMN - A -

IDENTIFICATION LETTER FOR PERIOD OF INSTALLATION
THAT IS REPEATED SEVERAL TIMES IN THE CATALOG GROUP.

EXPLANATION PLEASE FIND IN TEXT COLUMN OF THE CATALOG GROUP

IN COLUMN - QU - = NO. OF PIECES

- 1 NUMBER PER APPLICATION
- X NUMBER AS NEEDED
- * AVAILABLE ONLY IN RUNNING LENGTHS 1 = 1 METRE

IN COLUMN - MODEL/SYMBOL -

- M650 OPTIONAL EQUIPMENT - SEE M-NO. LIST
- 93 LIMITATION OF MODEL YEAR FOR INSTANCE: VALID UP TO
END OF MODEL YEAR 1993
- /LL LHD
- /RL RHD
- /V FRONT I
I
- /H REAR I
I----> APPLIES TO
DIRECTION OF TRAVEL
- /L LEFT I
- /R RIGHT I
-----+
- AUT. AUTOMATIC
- WW THE PART CAN BE USED INSTEAD OF THE
PRECEDING ONE

Model	Year	MG	SG	Illustration	VIN No.	Update		
911	73	9	98	998-10		203	12:31	21.08.2006

TR203

EQUIPMENT BY COUNTRY REGULATIONS
=====

- (A) AUSTRIA
- (AUS) AUSTRALIA
- (B) BELGIUM
- (CDN) CANADA
- (CH) SWITZERLAND
- (D) FEDERAL REPUBLIC OF GERMANY
- (DK) DENMARK
- (E) SPAIN
- (F) FRANCE
- (GB) GREAT BRITAIN
- (GR) GREECE
- (HK) HONGKONG
- (I) ITALY
- (J) JAPAN
- (L) LUXEMBURG
- (N) NORWAY
- (NL) NETHERLANDS
- (NZ) NEW ZEALAND
- (P) PORTUGAL
- (RC) TAIWAN
- (S) SWEDEN
- (SA) SAUDI ARABIA
- (SF) FINLAND
- (USA) UNITED STATES OF AMERICA
- (ZA) SOUTH AFRICA